



US00D744765S

(12) **United States Design Patent**
Wu

(10) **Patent No.:** **US D744,765 S**
(45) **Date of Patent:** **** Dec. 8, 2015**

(54) **ELECTRIC CURTAIN CONTROL
MECHANISM**

(71) Applicant: **BAO SONG PRECISION INDUSTRY
CO., LTD.**, Kaohsiung (TW)

(72) Inventor: **Cheng-Ming Wu**, Kaohsiung (TW)

(73) Assignee: **BAO SONG PRECISION INDUSTRY
CO., LTD.**, Kaohsiung (TW)

(**) Term: **14 Years**

(21) Appl. No.: **29/488,081**

(22) Filed: **Apr. 15, 2014**

(51) **LOC (10) Cl.** **06-10**

(52) **U.S. Cl.**
USPC **D6/580**

(58) **Field of Classification Search**
USPC D6/575, 576, 577, 578, 579, 580, 581;
D8/349, 352, 353, 368, 369, 376;
160/84.01, 84.02, 84.03, 84.04, 84.05,
160/84.06, 84.07, 84.08, 107, 108, 111,
160/113, 130, 133
CPC E06B 3/30; E06B 9/00; E06B 9/02;
E06B 9/24; E06B 9/262; A47H 1/00; A47H
1/02; A47H 21/00; A47H 23/00; A47H 23/02;
A47H 23/04; A47H 2001/0205; A47H
2023/025

See application file for complete search history.

(56) **References Cited**

U.S. PATENT DOCUMENTS

D357,381	S	*	4/1995	Anderson	D6/580
D364,984	S	*	12/1995	Voss	D6/581
D453,440	S	*	2/2002	Fraser et al.	D6/580
6,536,503	B1	*	3/2003	Anderson et al.	160/170
D568,663	S	*	5/2008	Chou	D6/580
D569,157	S	*	5/2008	Liu	D6/580
7,740,045	B2	*	6/2010	Anderson et al.	160/84.05
D690,133	S	*	9/2013	Wu	D6/580
D701,709	S	*	4/2014	Wills	D6/580
2006/0118248	A1	*	6/2006	Anderson et al.	160/84.04
2007/0051477	A1	*	3/2007	Fraser et al.	160/84.05
2010/0065226	A1	*	3/2010	Fraser et al.	160/168.1 R
2013/0340949	A1	*	12/2013	Anderson et al.	160/84.02

* cited by examiner

Primary Examiner — Karen S Acker

Assistant Examiner — Wendy Arminio

(74) *Attorney, Agent, or Firm* — Muncy, Geissler, Olds & Lowe, P.C.

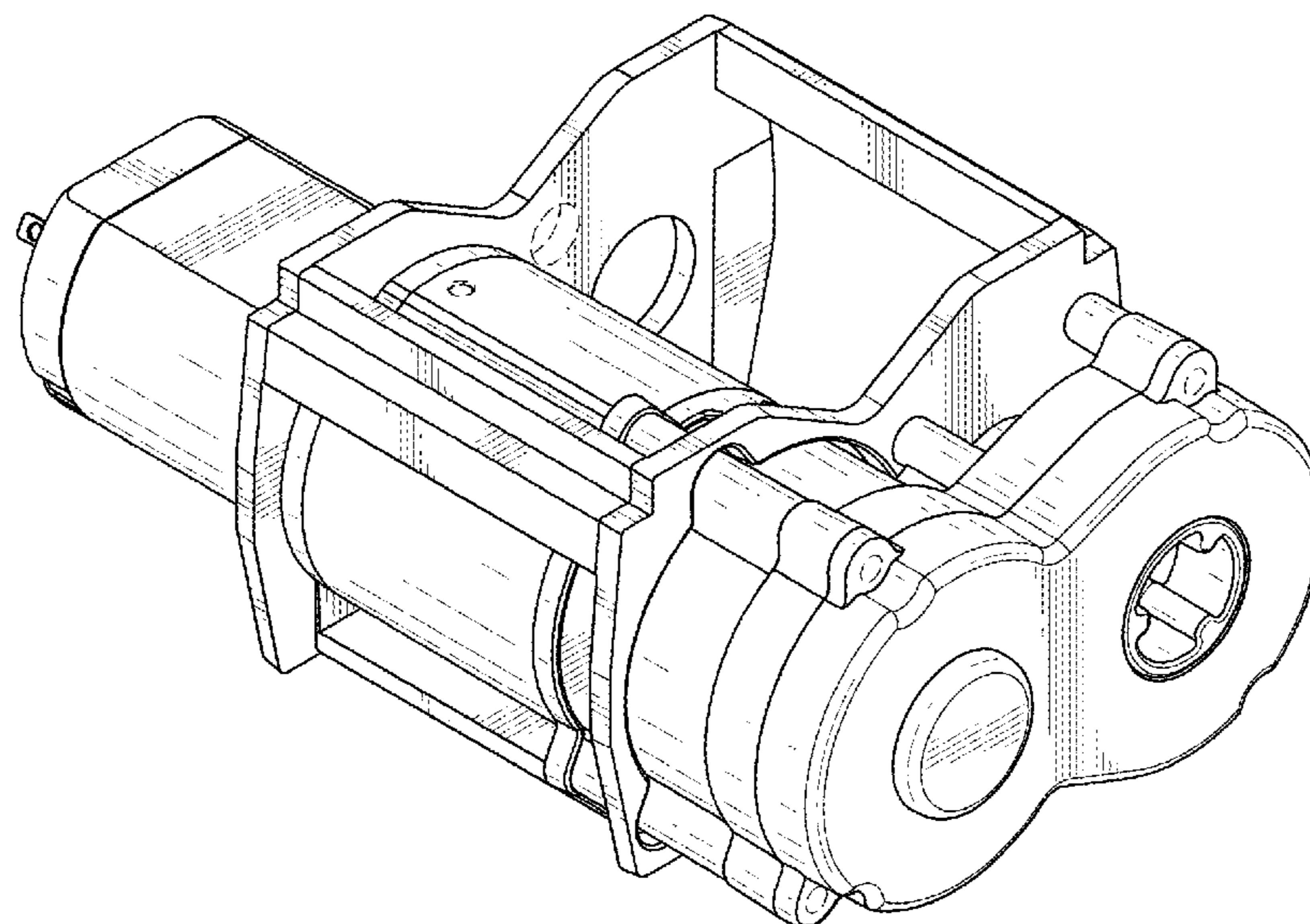
(57) **CLAIM**

I claim the ornamental design for an electric curtain control mechanism, as shown and described.

DESCRIPTION

FIG. 1 is a perspective view of an electric curtain control mechanism showing my new design;
FIG. 2 is a front view of the design shown in FIG. 1;
FIG. 3 is a rear view of the design shown in FIG. 1;
FIG. 4 is a left side view of the design shown in FIG. 1;
FIG. 5 is a right side view of the design shown in FIG. 1;
FIG. 6 is a top view of the design shown in FIG. 1; and,
FIG. 7 is a bottom view of the design shown in FIG. 1.
The broken lines depict portions of the electric curtain control mechanism that form no part of the claimed design.

1 Claim, 4 Drawing Sheets



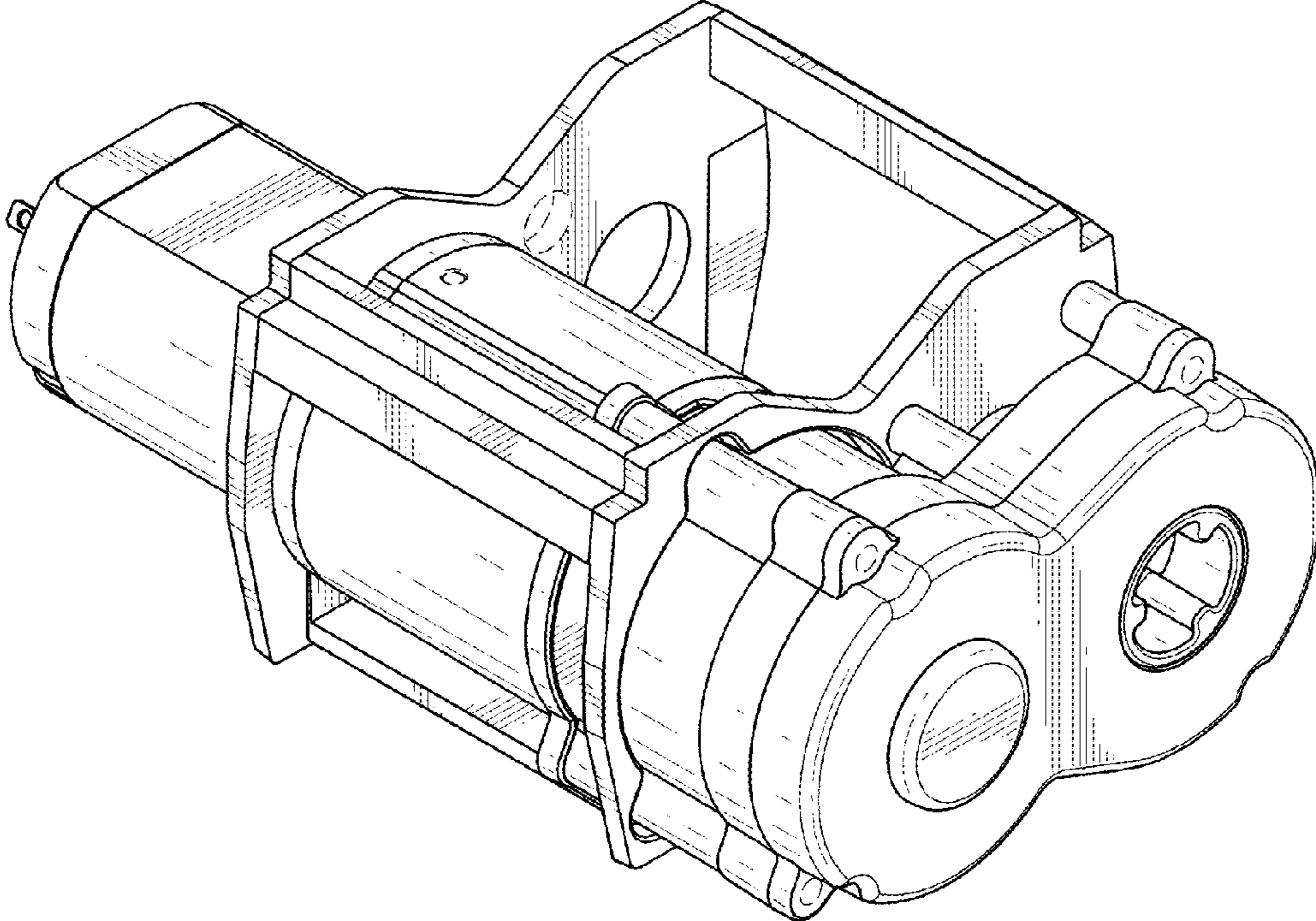


FIG.1

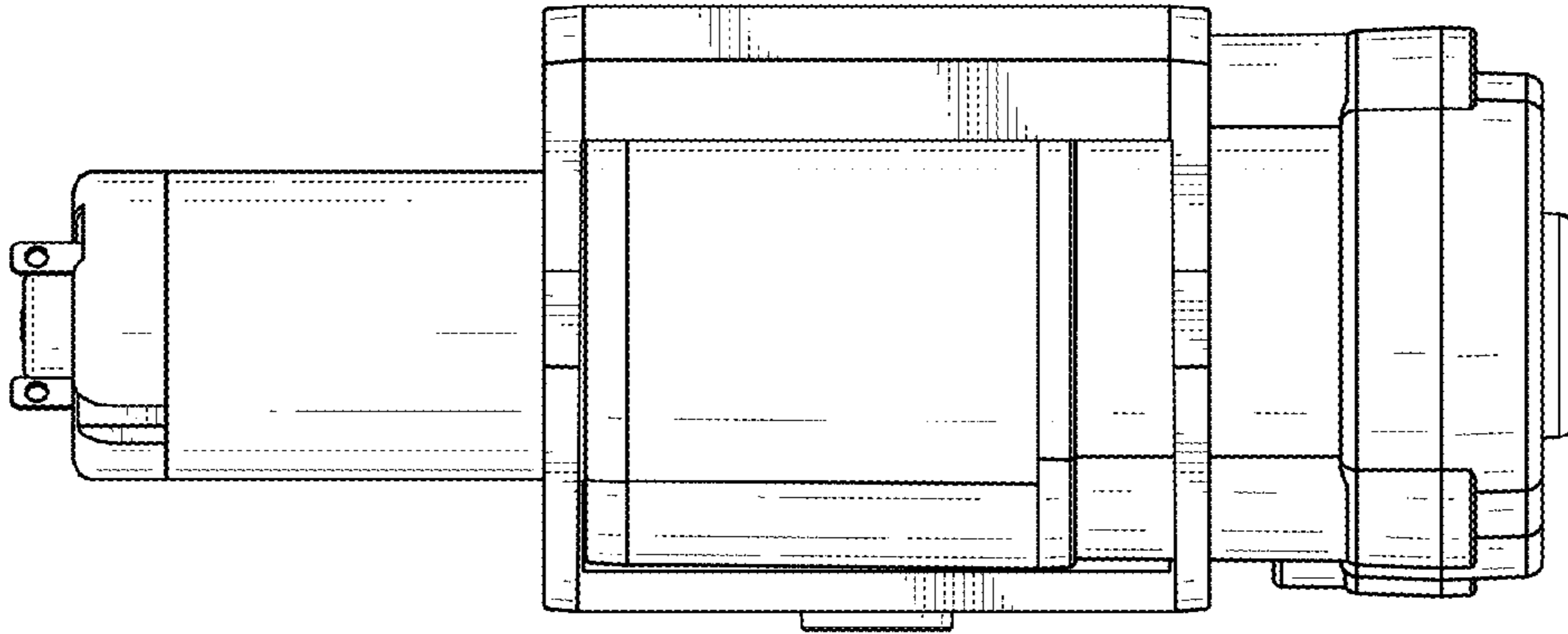


FIG. 2

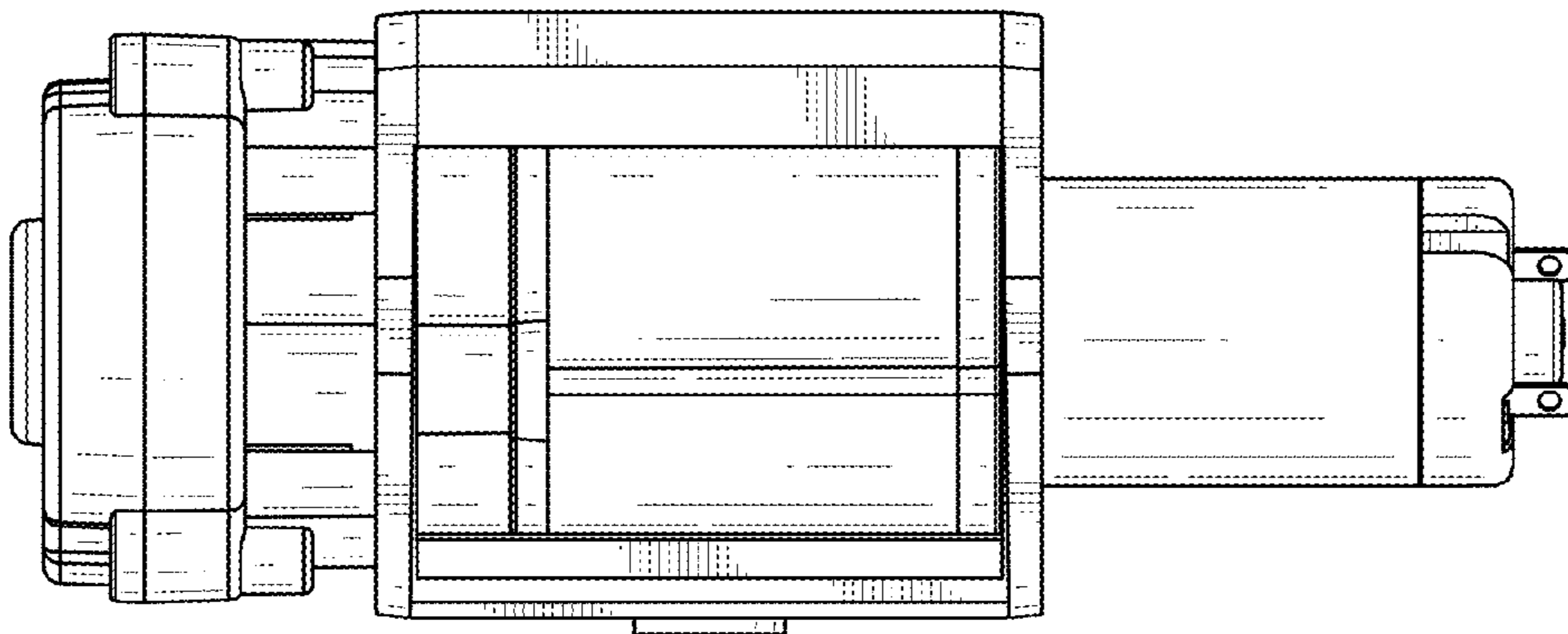


FIG. 3

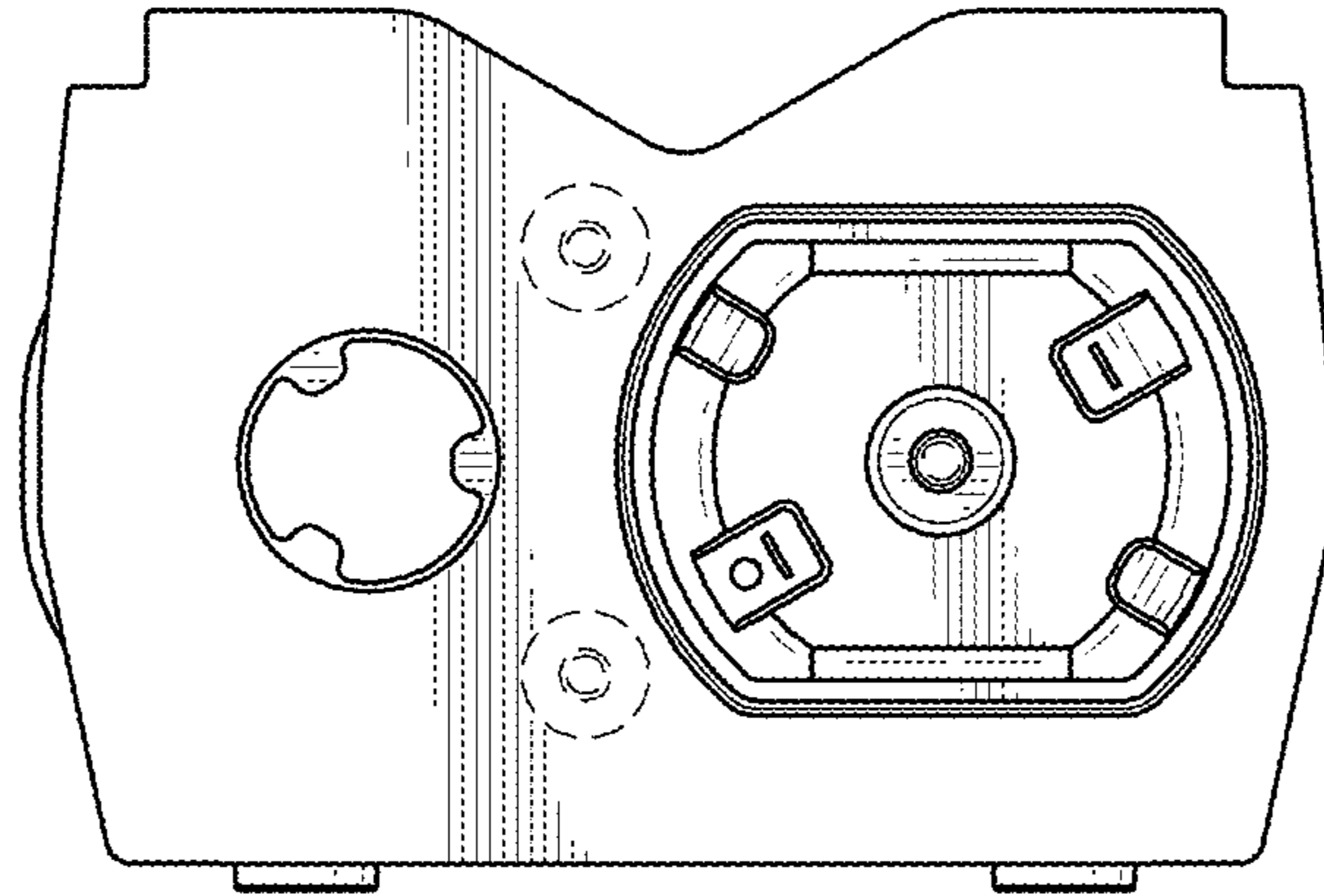


FIG. 4

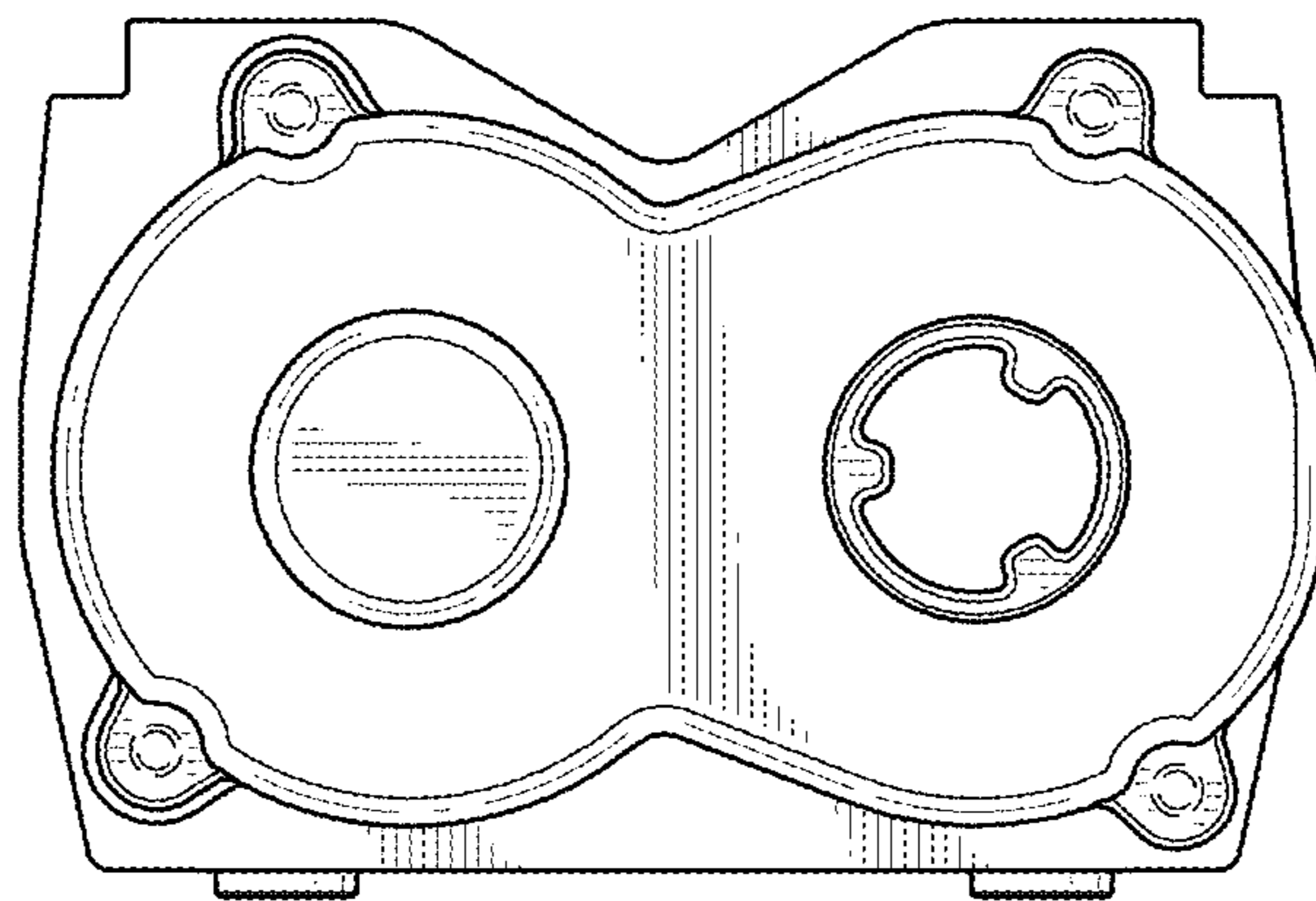


FIG. 5

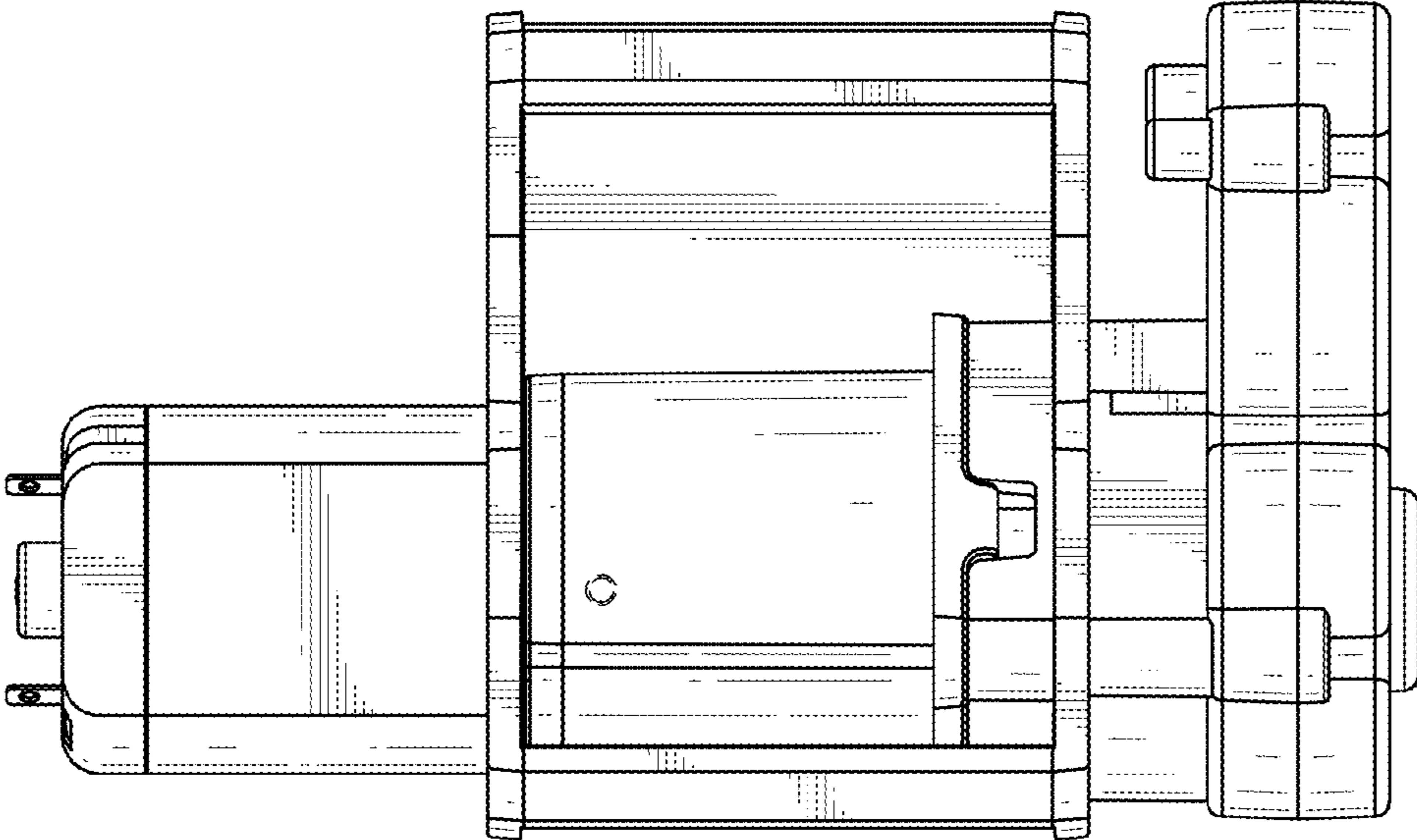


FIG.6

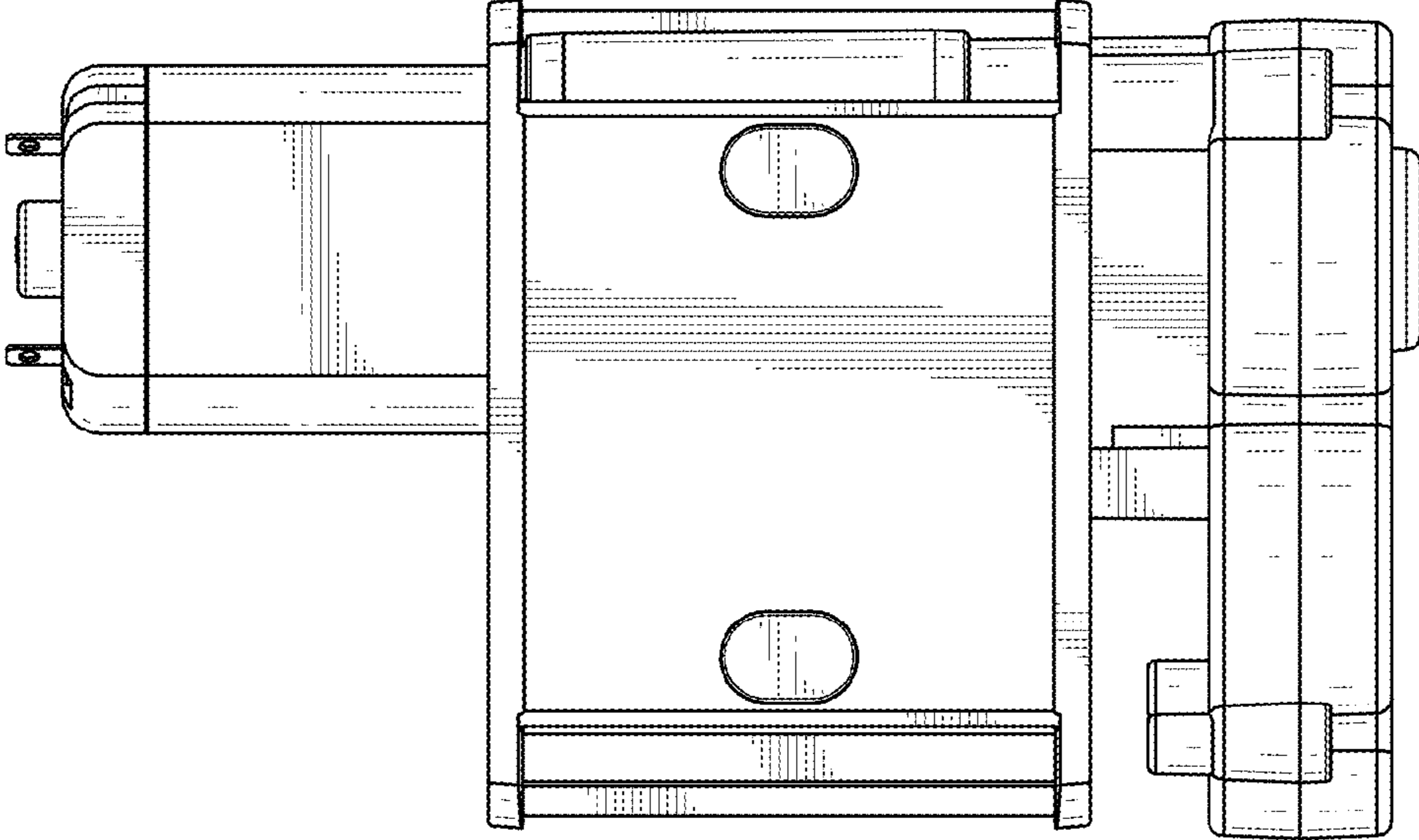


FIG.7