



US00D744764S

(12) **United States Design Patent**
Sakaguchi

(10) **Patent No.:** **US D744,764 S**

(45) **Date of Patent:** **** Dec. 8, 2015**

(54) **STOOL**

47/04-47/045; A47B 3/00; A47B 3/02; A47B 3/04; A47B 3/12

(71) Applicant: **PiCa Corp.**, Higashi-Osaka-shi, Osaka (JP)

See application file for complete search history.

(72) Inventor: **Hiroki Sakaguchi**, Higashi-Osaka (JP)

(56) **References Cited**

(73) Assignee: **PICA CORP.**, Osaka (JP)

U.S. PATENT DOCUMENTS

(**) Term: **14 Years**

D146,378	S	*	2/1947	Obrig	D6/349
D232,672	S	*	9/1974	Krumholz et al.	D6/349
D276,669	S	*	12/1984	Petersson	D6/335
D396,357	S	*	7/1998	Perrin	D6/349
D407,569	S	*	4/1999	Underbrink	D6/349
D411,055	S	*	6/1999	Perrin	D6/336
D411,689	S	*	6/1999	Papaioannou	D6/349
D424,821	S	*	5/2000	Humeston	D6/349
D566,856	S	*	4/2008	Eveleth	D25/65
D577,833	S	*	9/2008	Eveleth	D25/65
D586,923	S	*	2/2009	Eveleth	D25/65
D644,032	S	*	8/2011	Eveleth	D6/353
D663,492	S	*	7/2012	Haaf	D30/160

(21) Appl. No.: **29/511,401**

(22) Filed: **Dec. 10, 2014**

(30) **Foreign Application Priority Data**

Oct. 9, 2014 (JP) 2014-022686

(51) **LOC (10) Cl.** **06-01**

(52) **U.S. Cl.**
USPC **D6/353**

(58) **Field of Classification Search**
USPC D6/333, 335, 340, 344, 347, 349-355, D6/358, 360, 363-365, 381, 406.6, 596, D6/601, 648, 662.1, 675, 677, 685-687, D6/688.15, 688.27, 690, 691, 691.8, D6/692.1-692.3, 695.1, 708.16, 708.2, D6/709, 709.2, 709.22, 711, 716-716.7, D6/717; D25/65

CPC A47C 1/14; A47C 3/00; A47C 3/04; A47C 3/14; A47C 3/16; A47C 3/18; A47C 3/20; A47C 3/36; A47C 4/00; A47C 4/28; A47C 4/30; A47C 4/38; A47C 4/42; A47C 4/48; A47C 5/02; A47C 5/04; A47C 5/043; A47C 7/00-7/006; A47C 7/02; A47C 9/00; A47C 9/02; A47C 9/002; A47C 9/007; A47C 9/025; A47C 9/10; A47C 11/00; A47C 12/00; A47C 13/00; A47C 16/02; A47B 7/00-7/02; A47B 45/00; A47B

* cited by examiner

Primary Examiner — Susan Bennett Hattan

Assistant Examiner — Vy Koenig

(74) *Attorney, Agent, or Firm* — Birch, Stewart, Kolasch & Birch, LLP

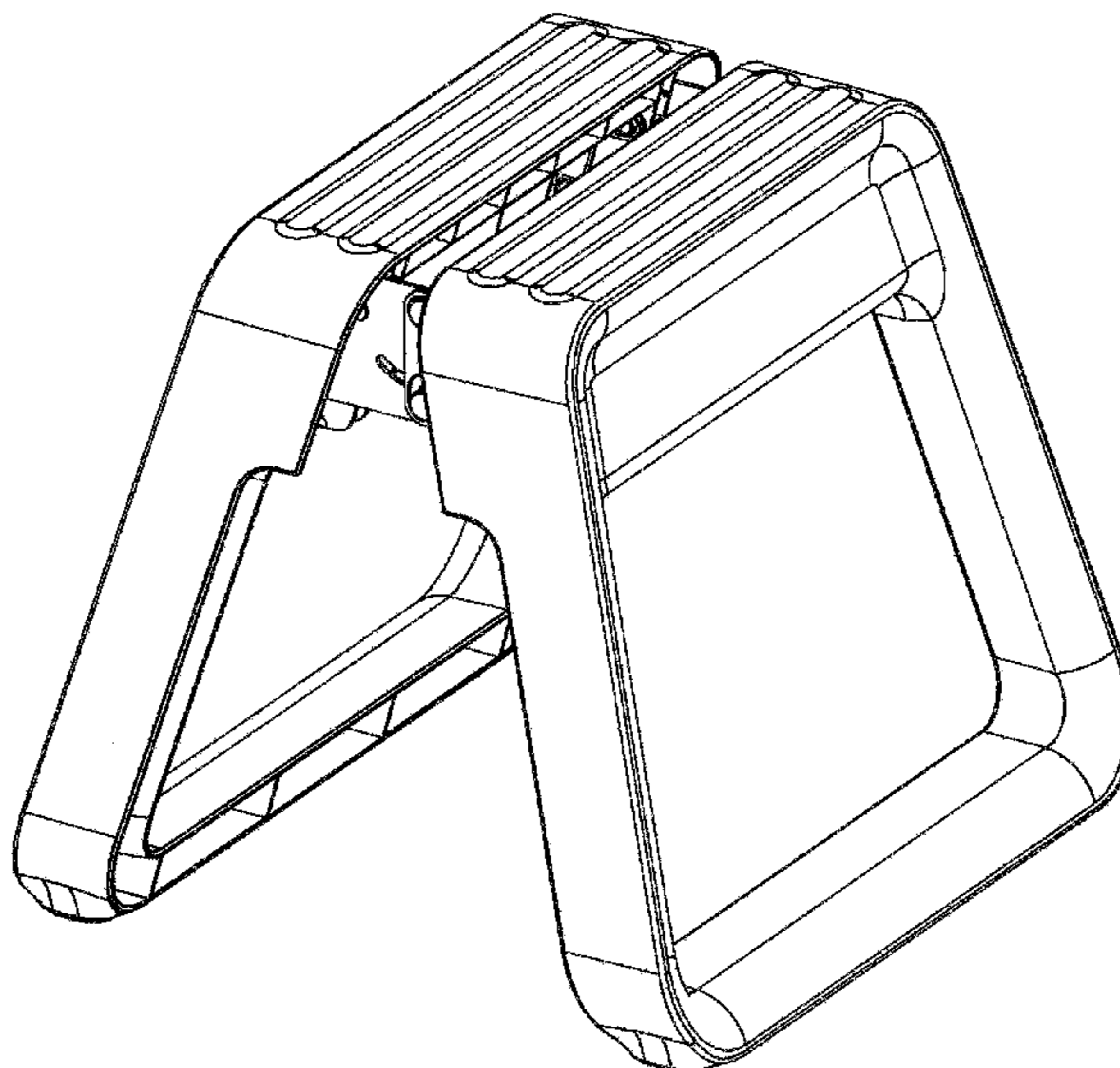
(57) **CLAIM**

The ornamental design for a stool, as shown and described.

DESCRIPTION

FIG. 1 is a front perspective view of stool showing my new design;
FIG. 2 is a front perspective view in a folded state thereof;
FIG. 3 is a right side elevational view, the left side elevational view being a mirror image thereof;
FIG. 4 is a top plan view thereof; and,
FIG. 5 is a front elevational view, the rear elevational view being a mirror image thereof.

1 Claim, 5 Drawing Sheets



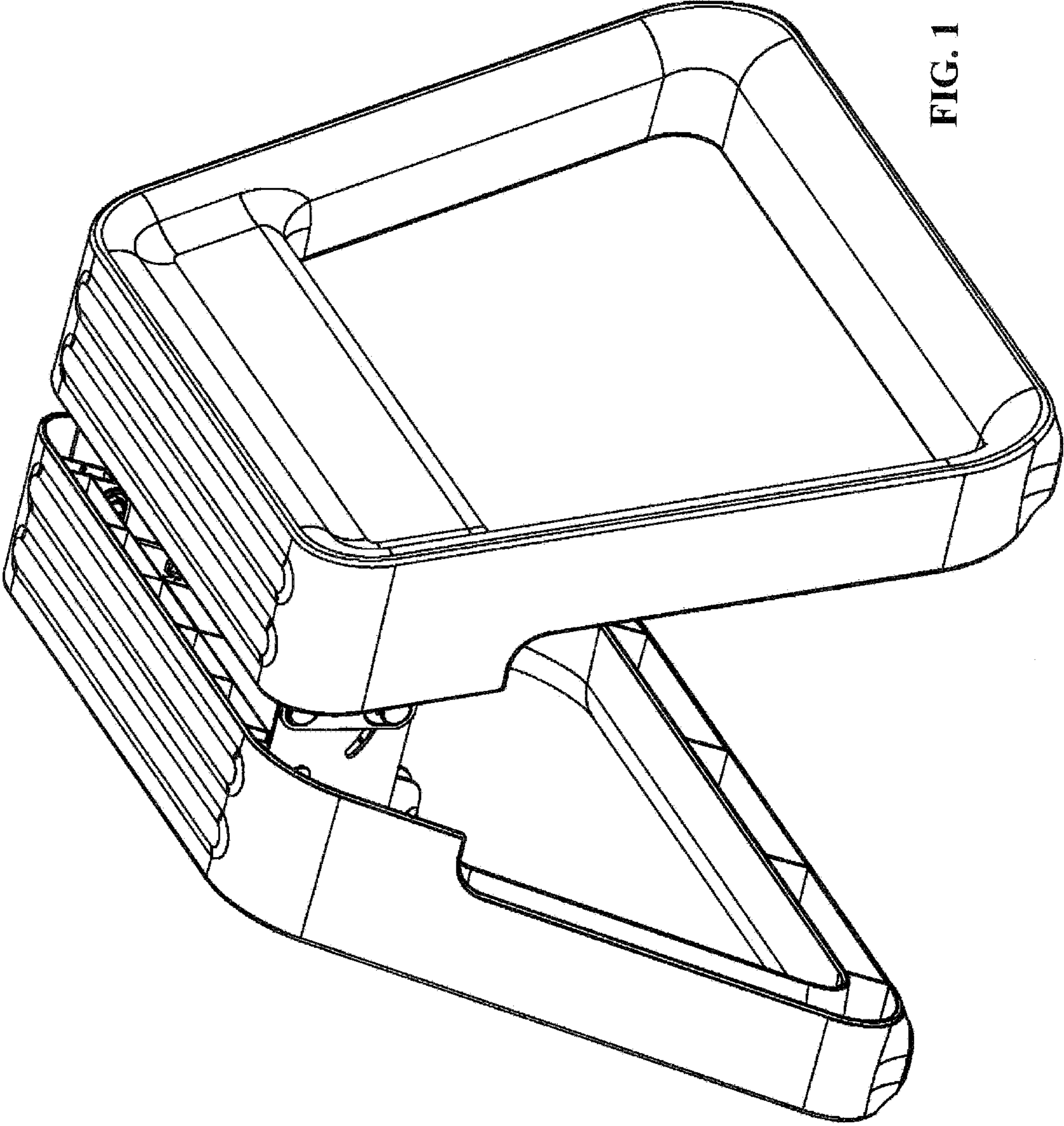


FIG. 1

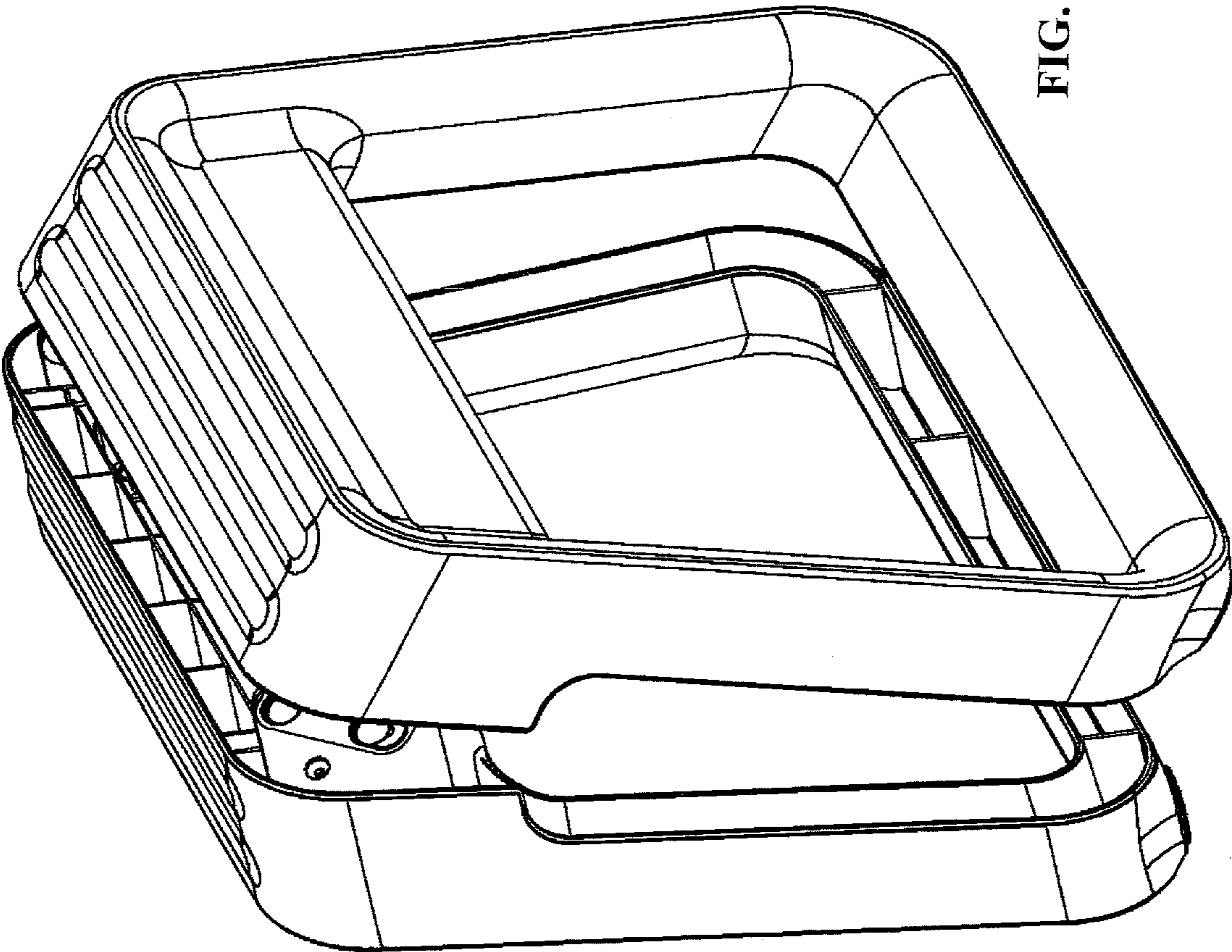


FIG. 2

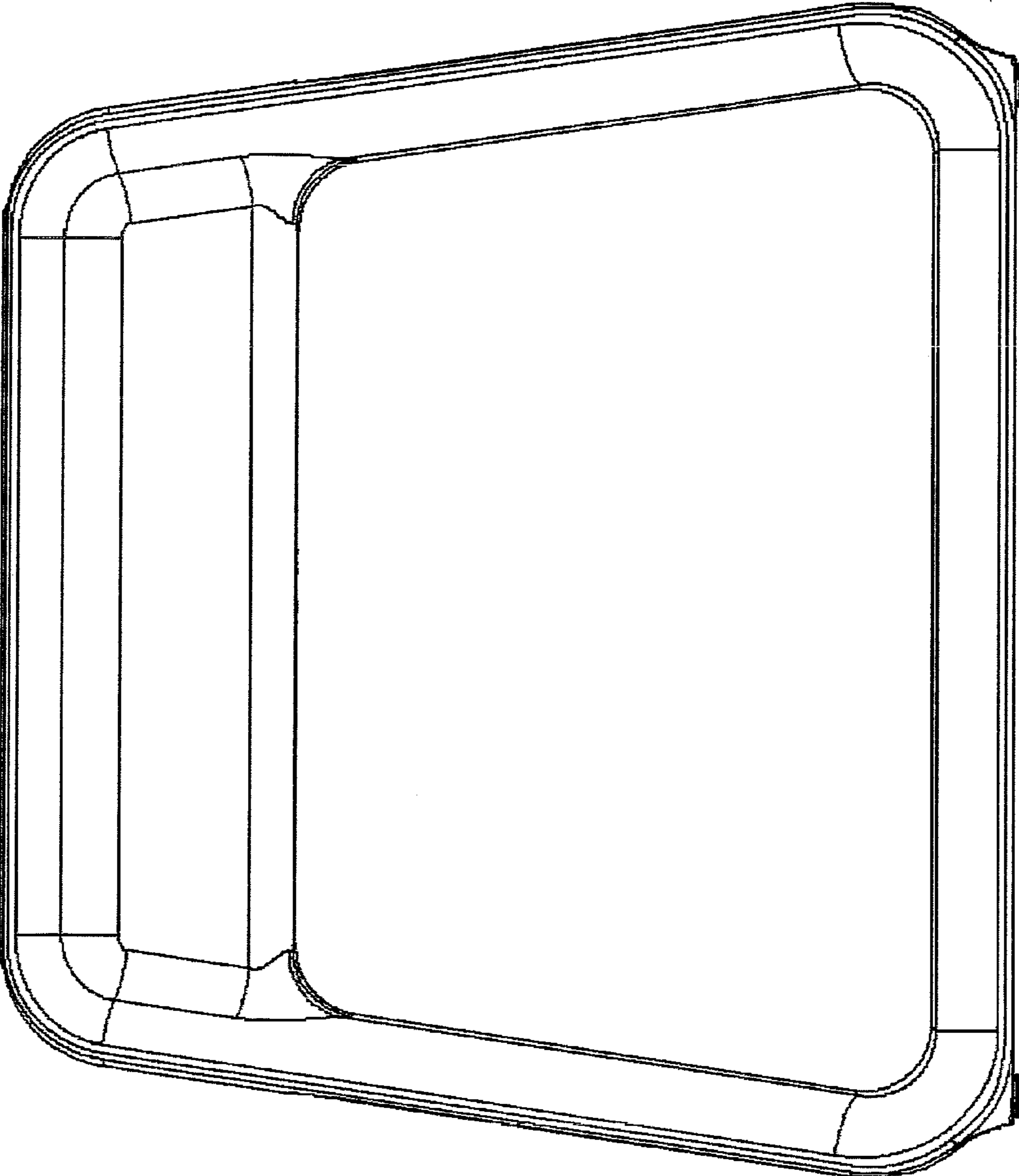


FIG. 3

FIG. 4

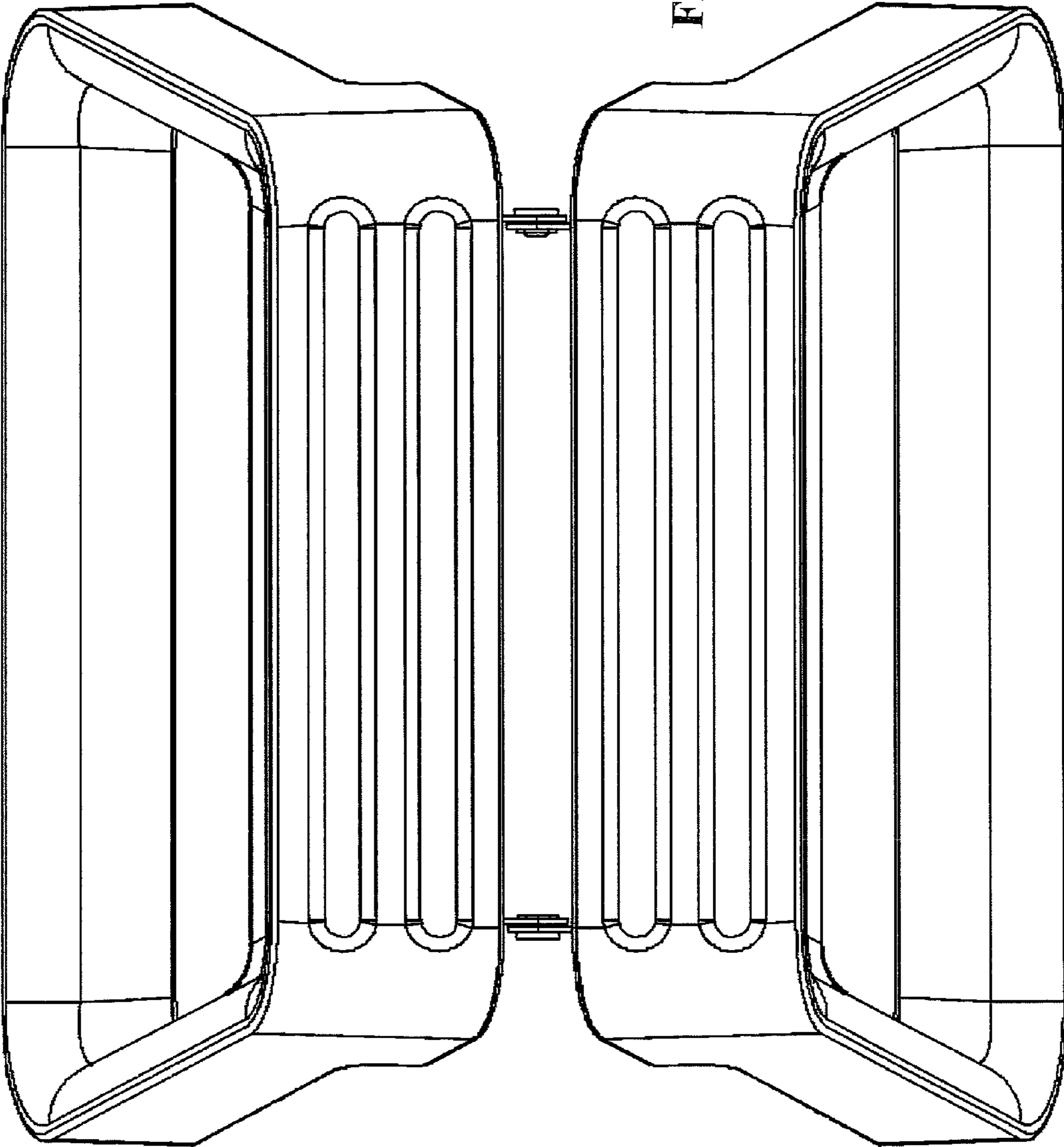


FIG. 5

