



US00D744763S

(12) **United States Design Patent**
Henderson

(10) **Patent No.:** **US D744,763 S**

(45) **Date of Patent:** **** Dec. 8, 2015**

(54) **CHAIR**

(71) Applicant: **Daniel A. Henderson**, Fort Worth, TX
(US)

(72) Inventor: **Daniel A. Henderson**, Fort Worth, TX
(US)

(**) Term: **14 Years**

(21) Appl. No.: **29/458,387**

(22) Filed: **Jun. 19, 2013**

(51) **LOC (10) Cl.** **06-01**

(52) **U.S. Cl.**
USPC **D6/349; D6/352**

(58) **Field of Classification Search**
USPC D6/340, 344, 347, 349–355, 358, 360,
D6/363–365, 381, 596, 601, 685, 687,
D6/688.15, 688.27, 690, 691, 692.3,
D6/708.16, 709, 709.2, 709.22, 711,
D6/716–716.7, 717

CPC A47C 1/14; A47C 3/16–3/20; A47C 4/00;
A47C 4/28; A47C 5/02; A47C 5/04; A47C
5/043; A47C 7/00–7/006; A47C 7/02; A47C
9/00; A47C 9/02; A47C 9/002; A47C 9/007;
A47C 9/025; A47C 9/10; A47C 11/00;
A47C 12/00; A47C 13/00; A47C 16/02
See application file for complete search history.

(56) **References Cited**

U.S. PATENT DOCUMENTS

D226,890 S * 5/1973 Neville D6/486
D406,470 S * 3/1999 Lin D6/349

D427,791 S * 7/2000 Peterson D6/349
D530,109 S * 10/2006 Barrett D6/352
D553,308 S * 10/2007 Klein D30/199
D566,978 S * 4/2008 Gonzalez D6/350
D575,540 S * 8/2008 Goldberg et al. D6/349
D579,675 S * 11/2008 Paterson D6/349
D595,968 S * 7/2009 Korban et al. D6/349
D625,931 S * 10/2010 Estrup D6/349
D647,313 S * 10/2011 Chen D6/364
D666,839 S * 9/2012 Johnson et al. D6/349
D670,094 S * 11/2012 Prestandrea et al. D6/351
D677,073 S * 3/2013 Zak et al. D6/686

* cited by examiner

Primary Examiner — Susan Bennett-Hattan

Assistant Examiner — Vy Koenig

(74) *Attorney, Agent, or Firm* — Clifford H. Kraft

(57) **CLAIM**

The ornamental design for a chair, as shown and described.

DESCRIPTION

FIG. 1 is a perspective view of a first and second embodiment of the chair.

FIG. 2 is a front and back view of the first embodiment of the chair.

FIG. 3 is a right and left side view thereof.

FIG. 4 is top view thereof.

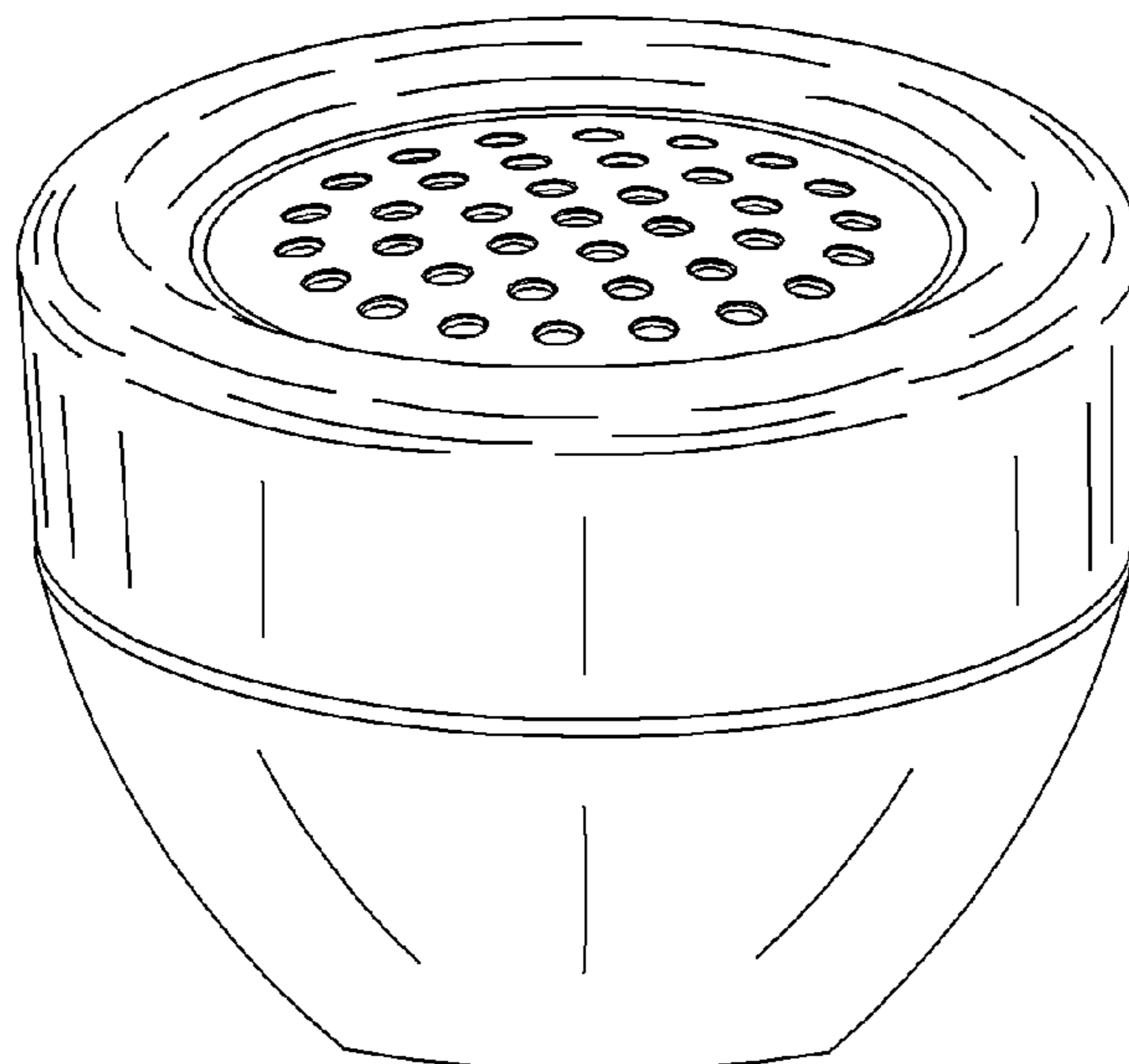
FIG. 5 is a bottom view thereof.

FIG. 6 is a front, back, left and right view of the second embodiment of the chair.

FIG. 7 is top view thereof; and,

FIG. 8 is a bottom view thereof.

1 Claim, 8 Drawing Sheets



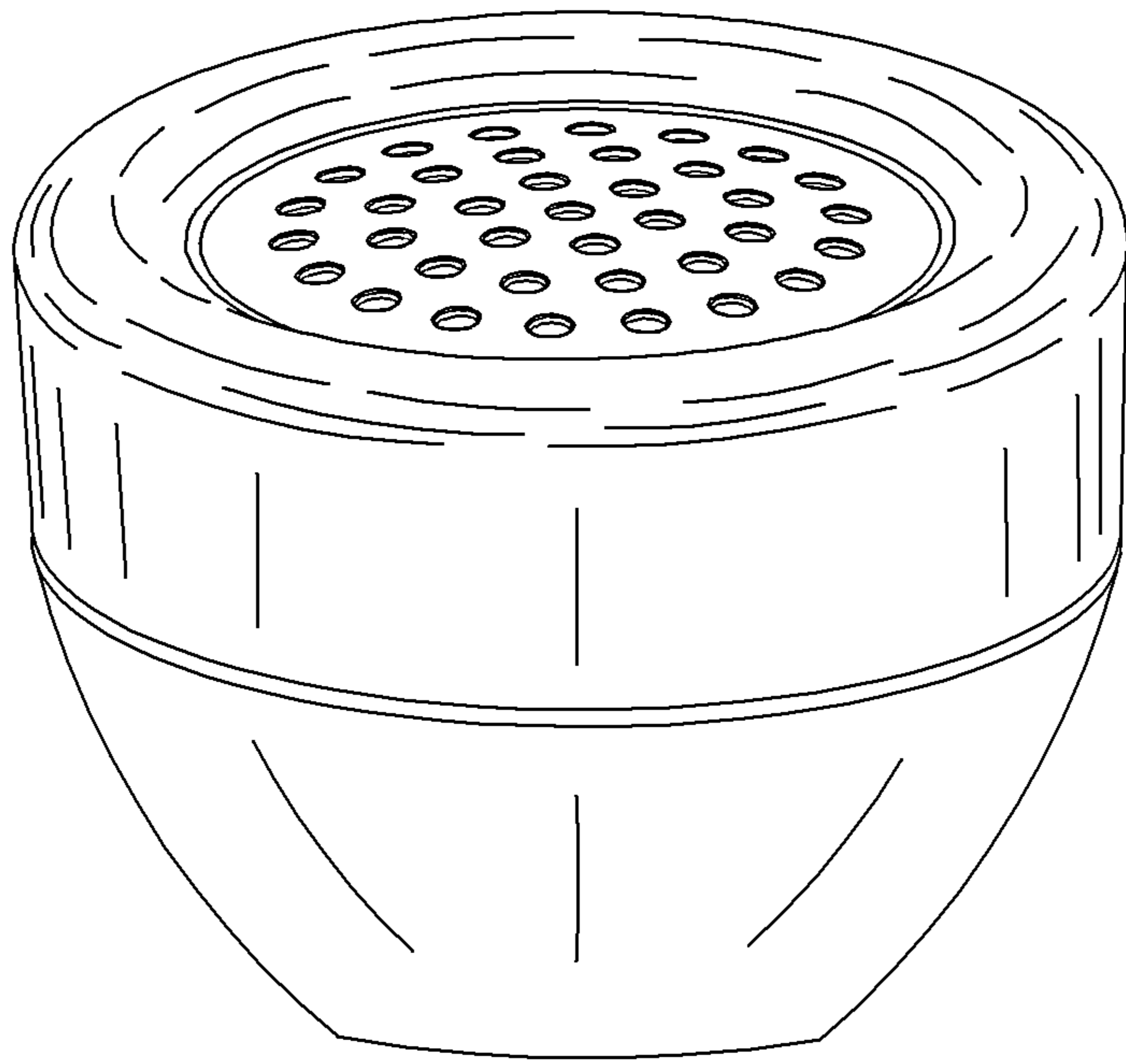


FIG. 1

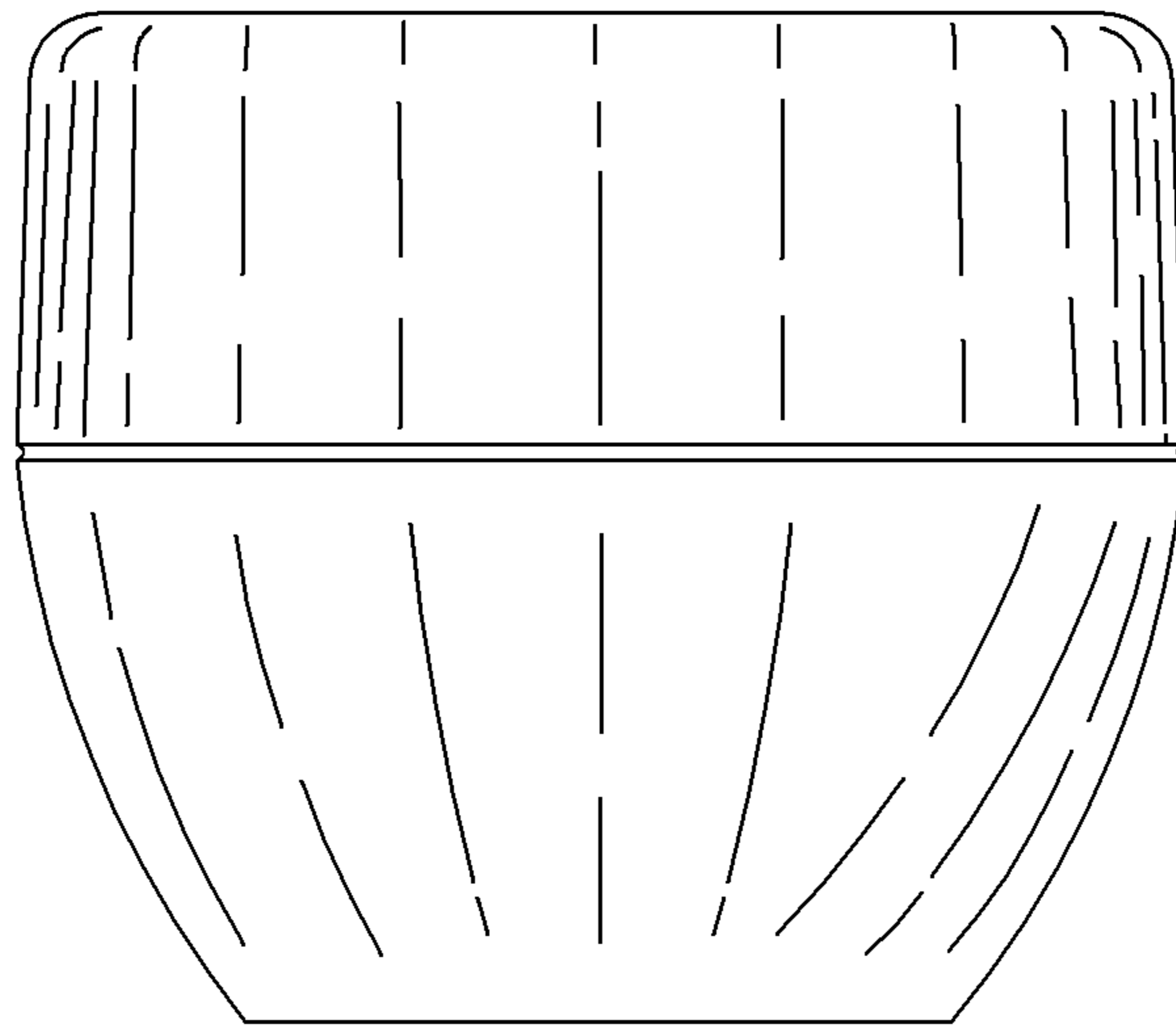


FIG. 2

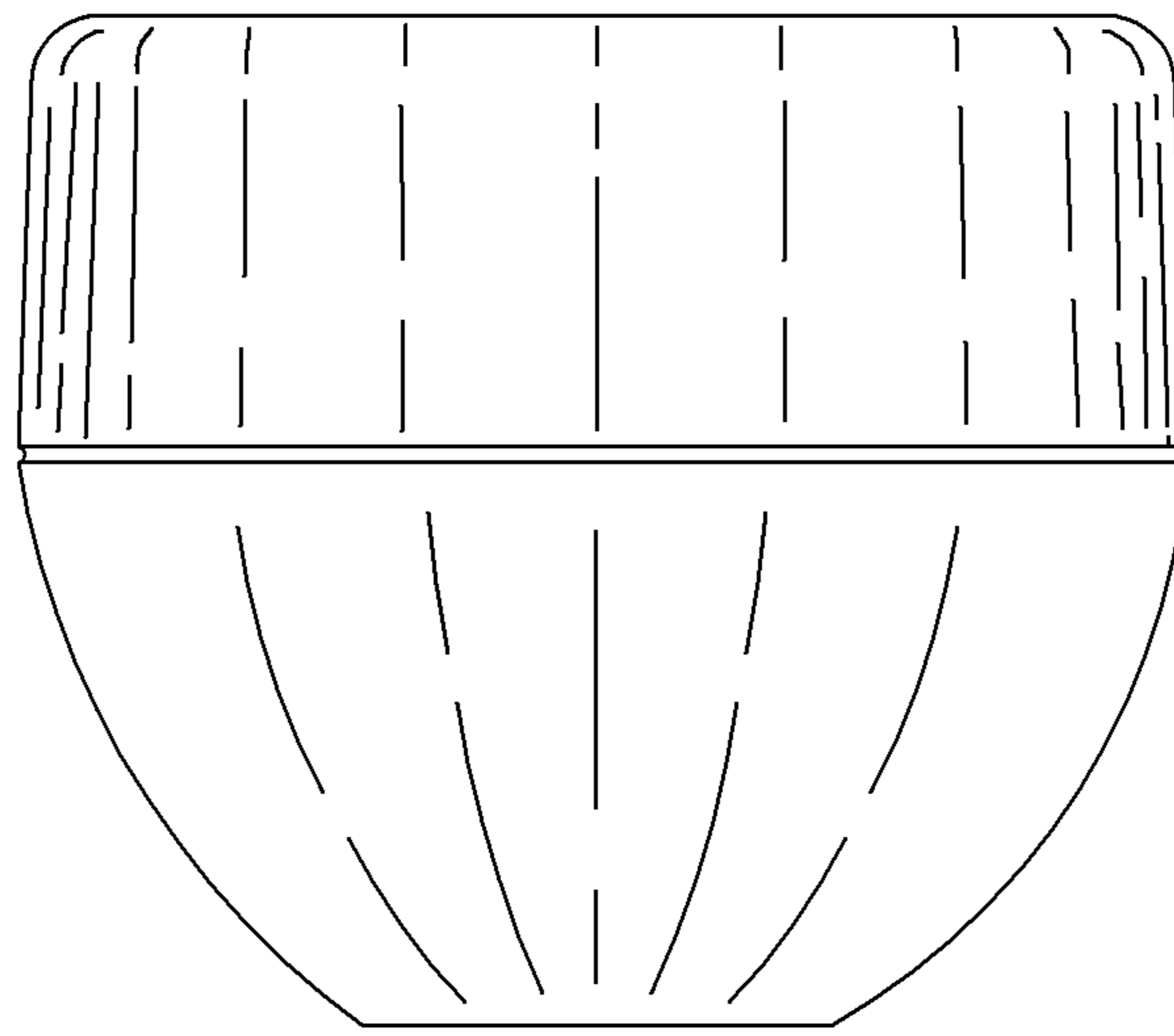


FIG. 3

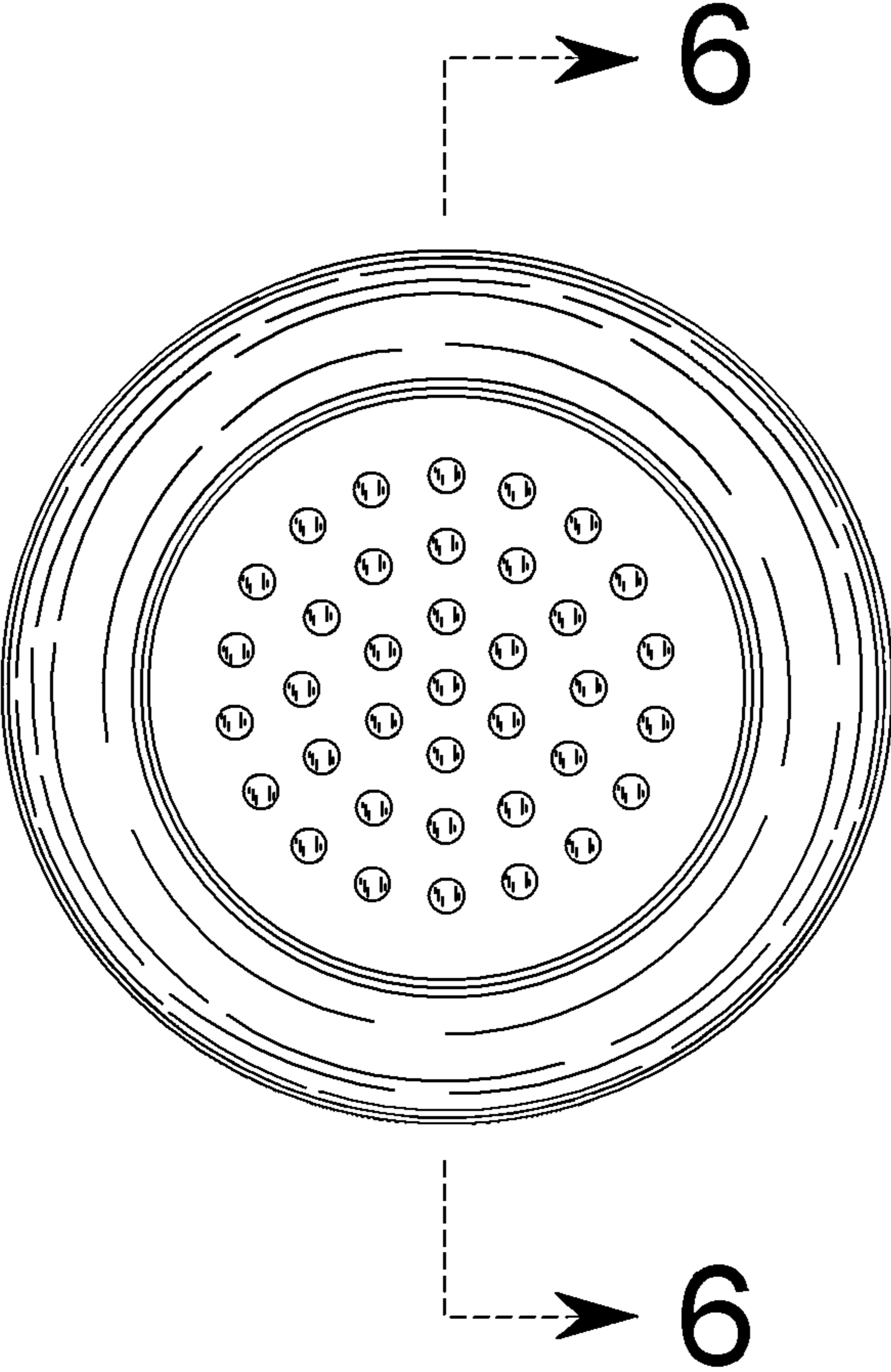


FIG. 4

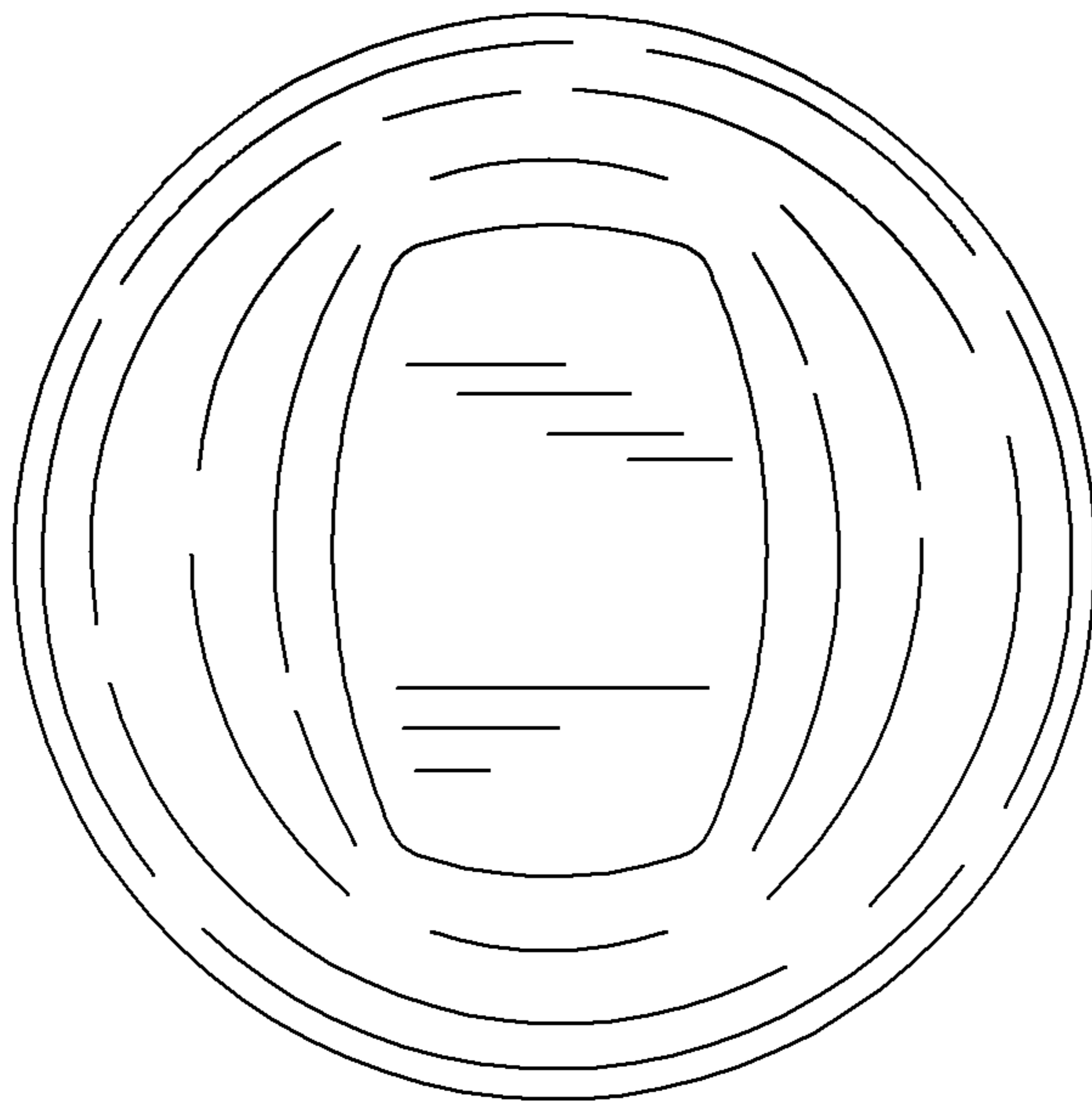


FIG. 5

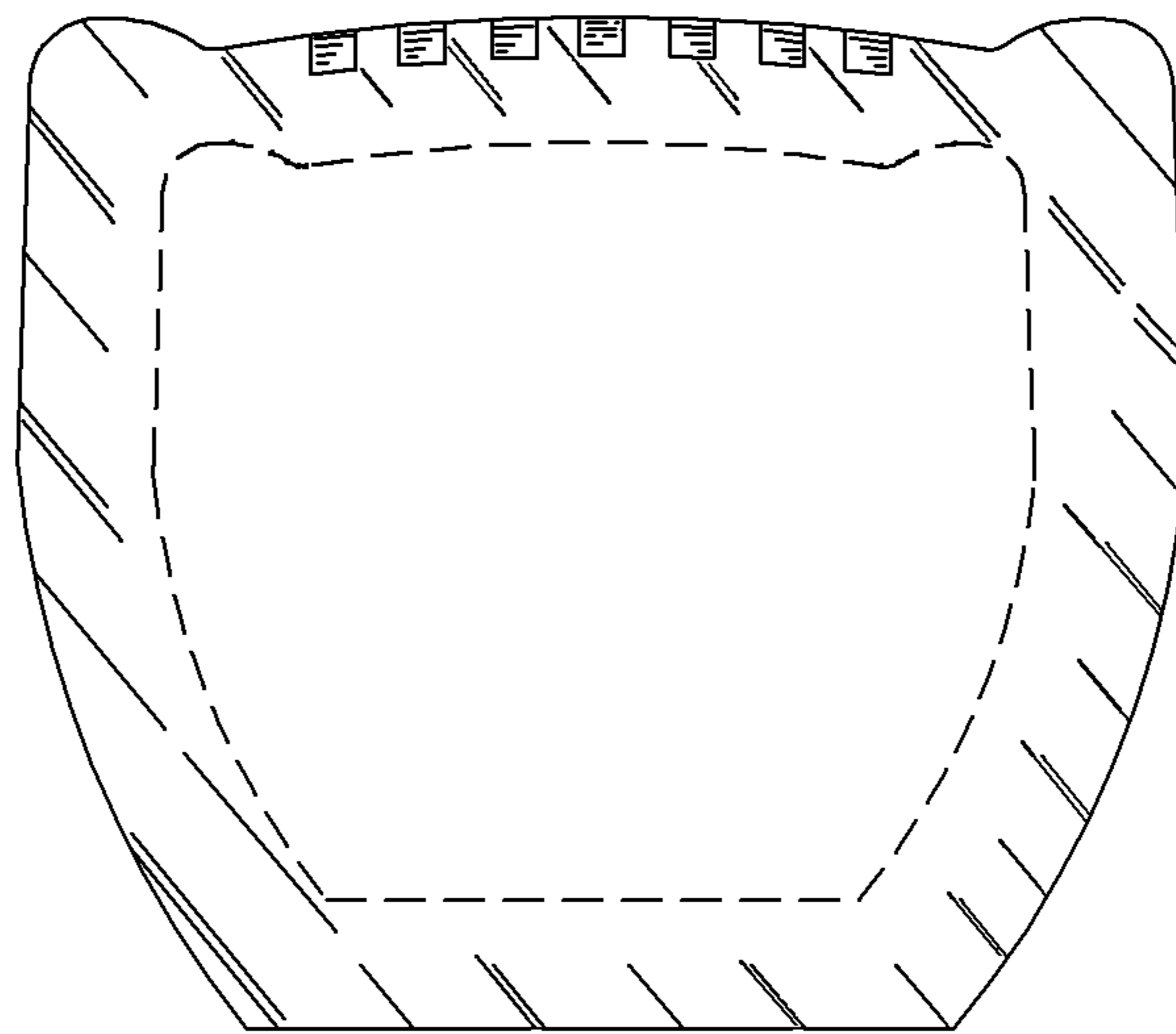


FIG. 6

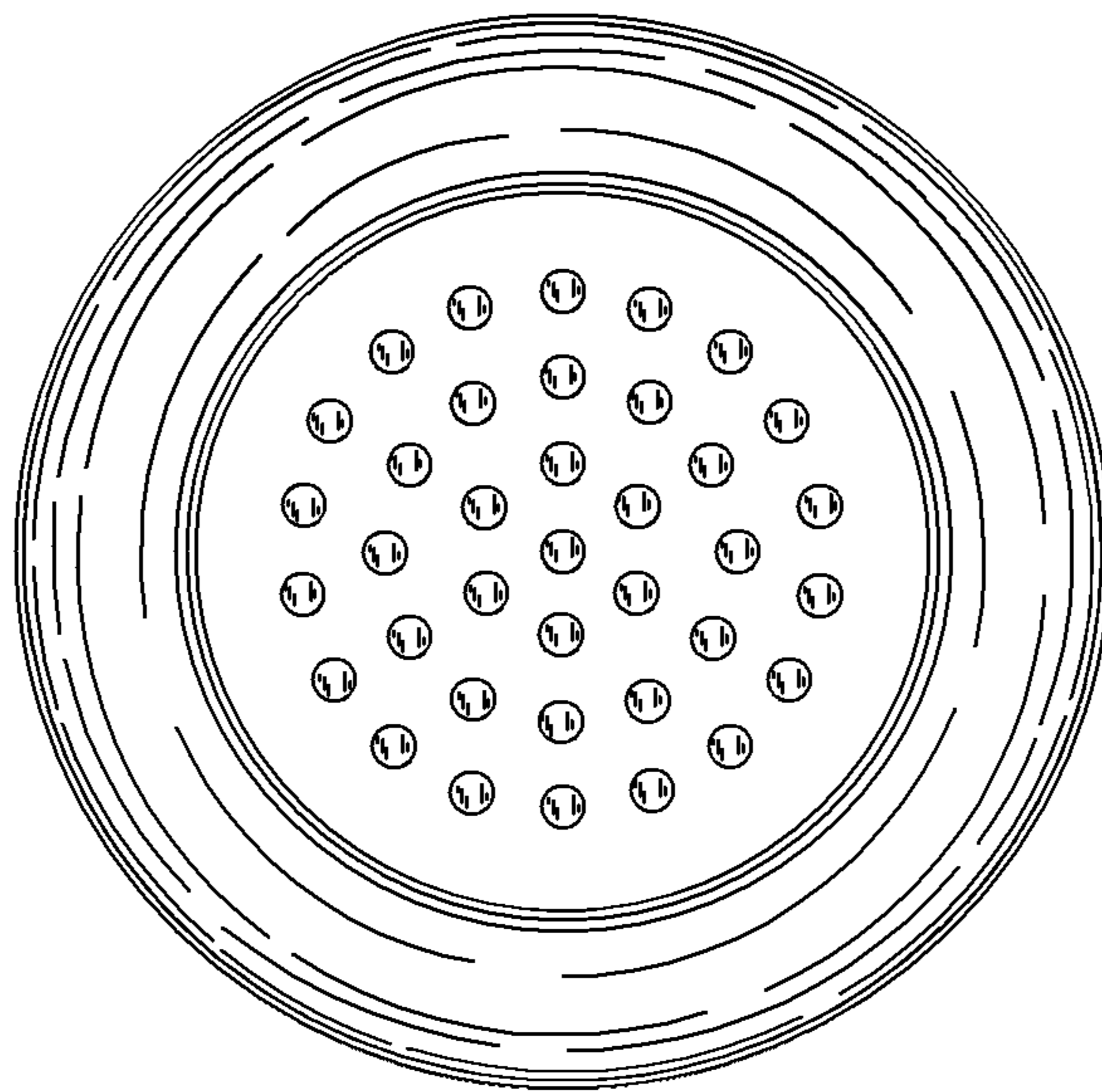


FIG. 7

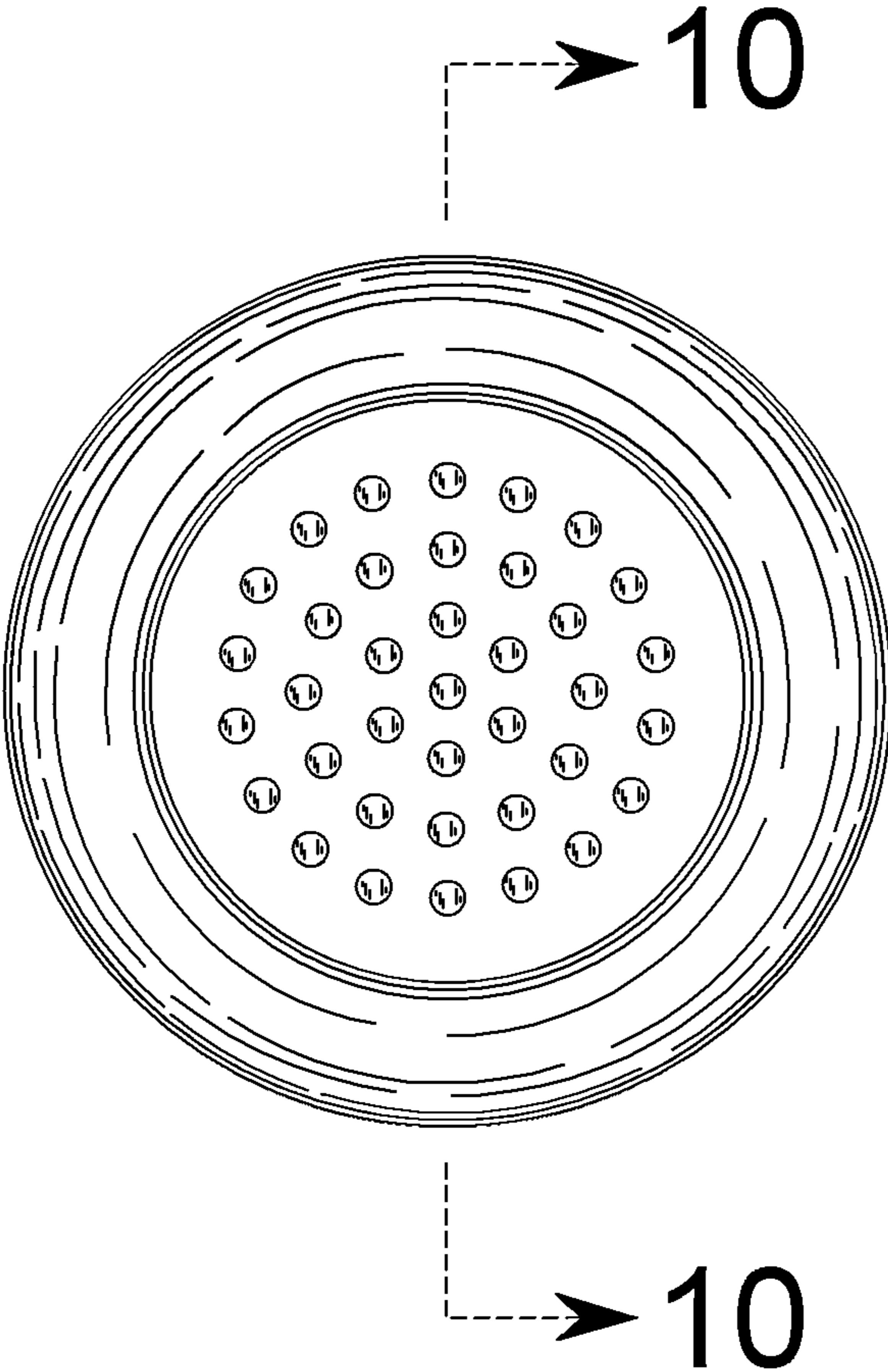


FIG. 8