



US00D744762S

(12) **United States Design Patent**
Atkinson

(10) **Patent No.:** **US D744,762 S**
(45) **Date of Patent:** **** Dec. 8, 2015**

(54) **GARMENT HANGER FOR A SUIT**
(71) Applicant: **HANGERLOGIC INC., LaSalle (CA)**
(72) Inventor: **Kevin Atkinson, Woodbridge (CA)**
(73) Assignee: **Hangerlogic Inc., Lasalle (CA)**
(**) Term: **14 Years**

(21) Appl. No.: **29/488,677**
(22) Filed: **Apr. 22, 2014**
(51) **LOC (10) Cl.** **06-08**
(52) **U.S. Cl.**
USPC **D6/328; D6/319**
(58) **Field of Classification Search**
USPC D6/315-328, 672; 223/85-98; 211/10,
211/13.1, 85.2, 86.01, 87.01, 113
CPC A47G 25/14; A47G 25/28; A47G 25/26;
A47G 25/30; A47G 25/36; A47G 25/50;
A47G 25/442; A47G 25/483; A47G 25/743;
A47G 25/4023; A47F 5/0006
See application file for complete search history.

(56) **References Cited**
U.S. PATENT DOCUMENTS
3,032,243 A * 5/1962 Furno 223/92
D204,040 S * 3/1966 McLarty D6/319
3,306,506 A * 2/1967 Batts 223/88

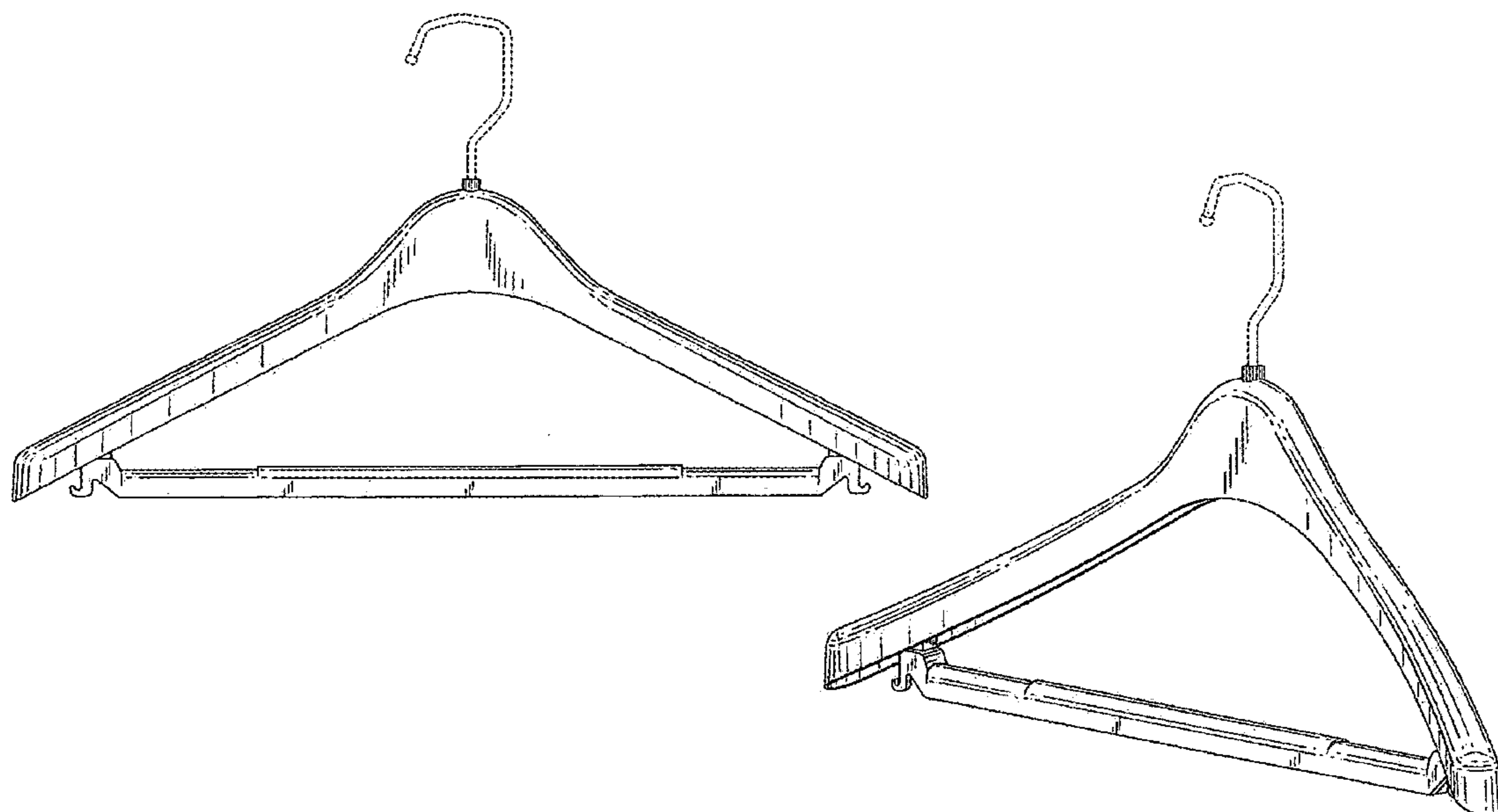
3,402,866 A * 9/1968 Byrd 223/91
D281,470 S * 11/1985 Batts D6/319
D303,324 S * 9/1989 Wilson D6/319
5,137,191 A * 8/1992 Blanchard et al. 223/88
5,277,345 A * 1/1994 Ozaki 223/98
D432,319 S * 10/2000 Bartholow D6/319
6,296,160 B1 * 10/2001 Murray 223/88
D607,216 S * 1/2010 Niccol D6/318
2007/0029354 A1 * 2/2007 Hunt et al. 223/85

* cited by examiner
Primary Examiner — Derrick Holland
Assistant Examiner — Lauren Calve
(74) *Attorney, Agent, or Firm* — Mila Shvartsman

(57) **CLAIM**
I claim the ornamental design for a garment hanger for a suit,
as shown and described.

DESCRIPTION
FIG. 1 is a front view of a garment hanger for a suit showing
my new design;
FIG. 2 is a right side view thereof;
FIG. 3 is a left side view thereof;
FIG. 4 is a top view thereof;
FIG. 5 is a bottom view thereof;
FIG. 6 is a rear view thereof; and,
FIG. 7 is a perspective view thereof.
The broken lines shown represent unclaimed subject matter
and form no part of the claimed design.

1 Claim, 3 Drawing Sheets



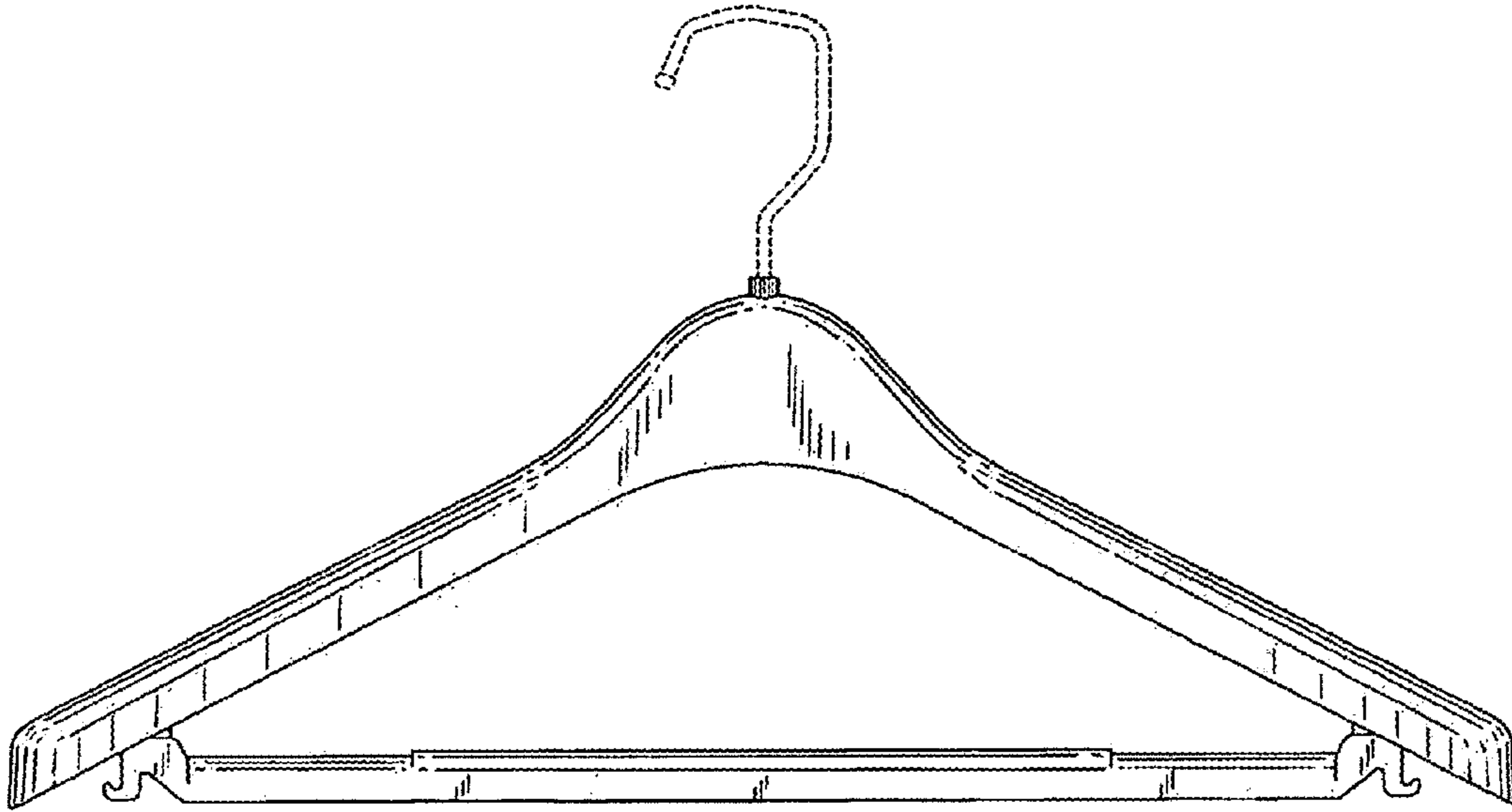


FIG. 1

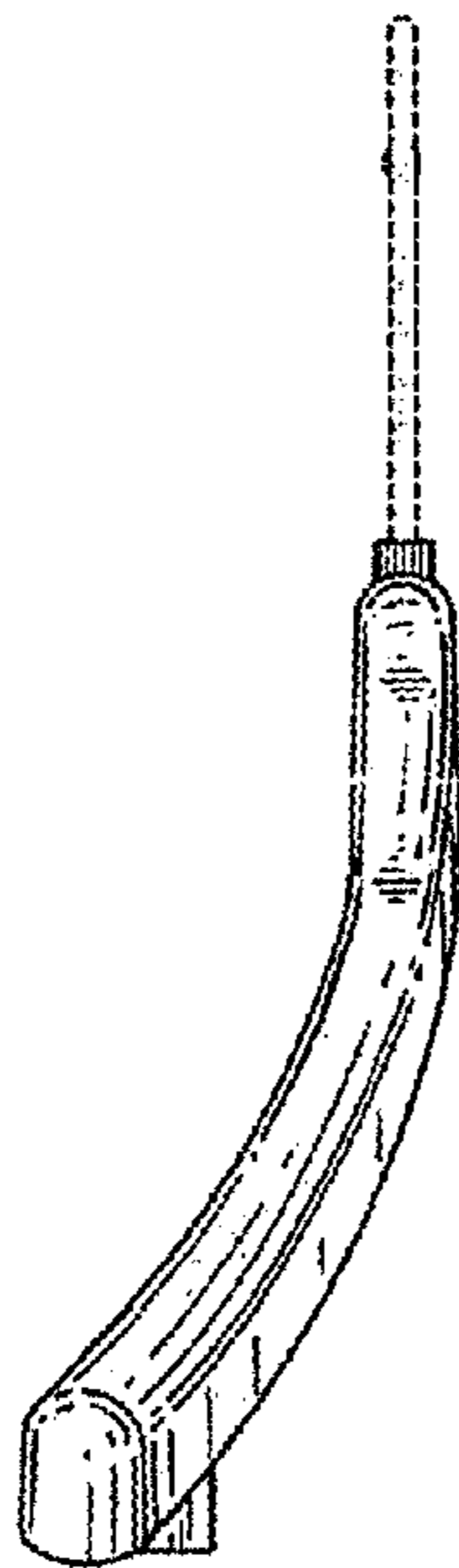


FIG. 2

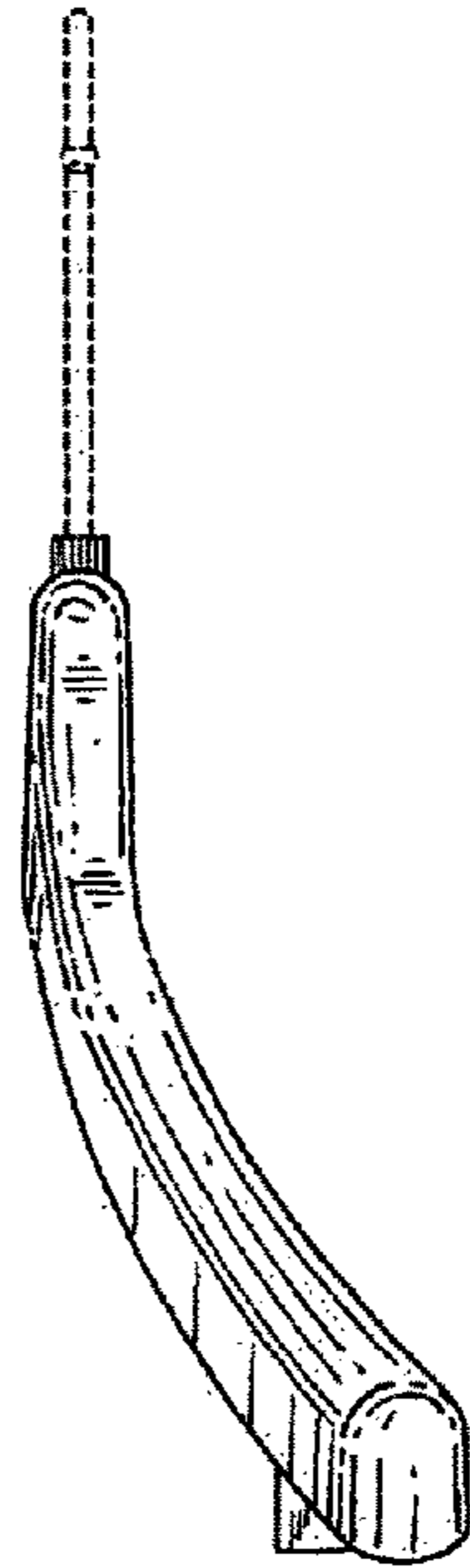


FIG. 3

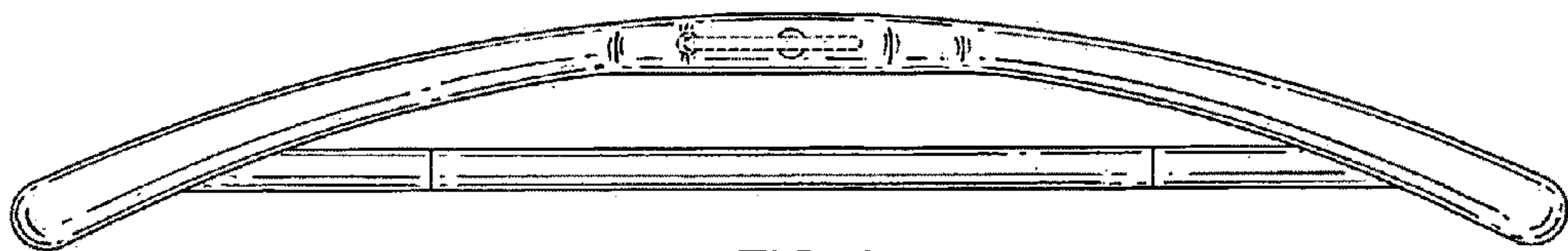


FIG. 4

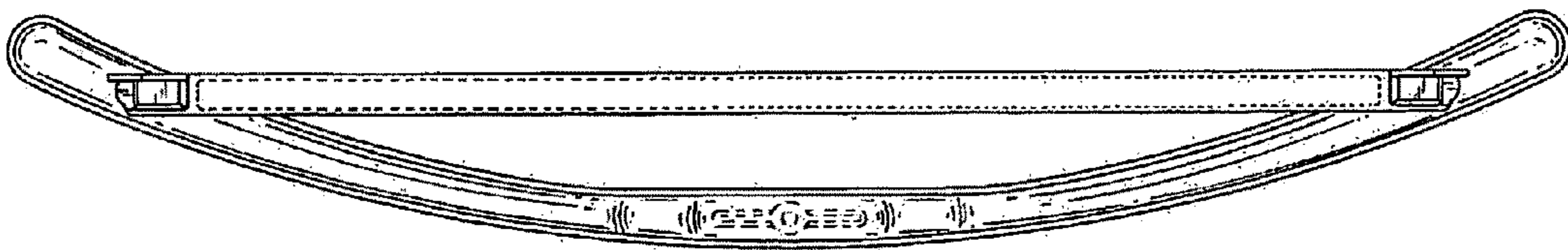


FIG. 5

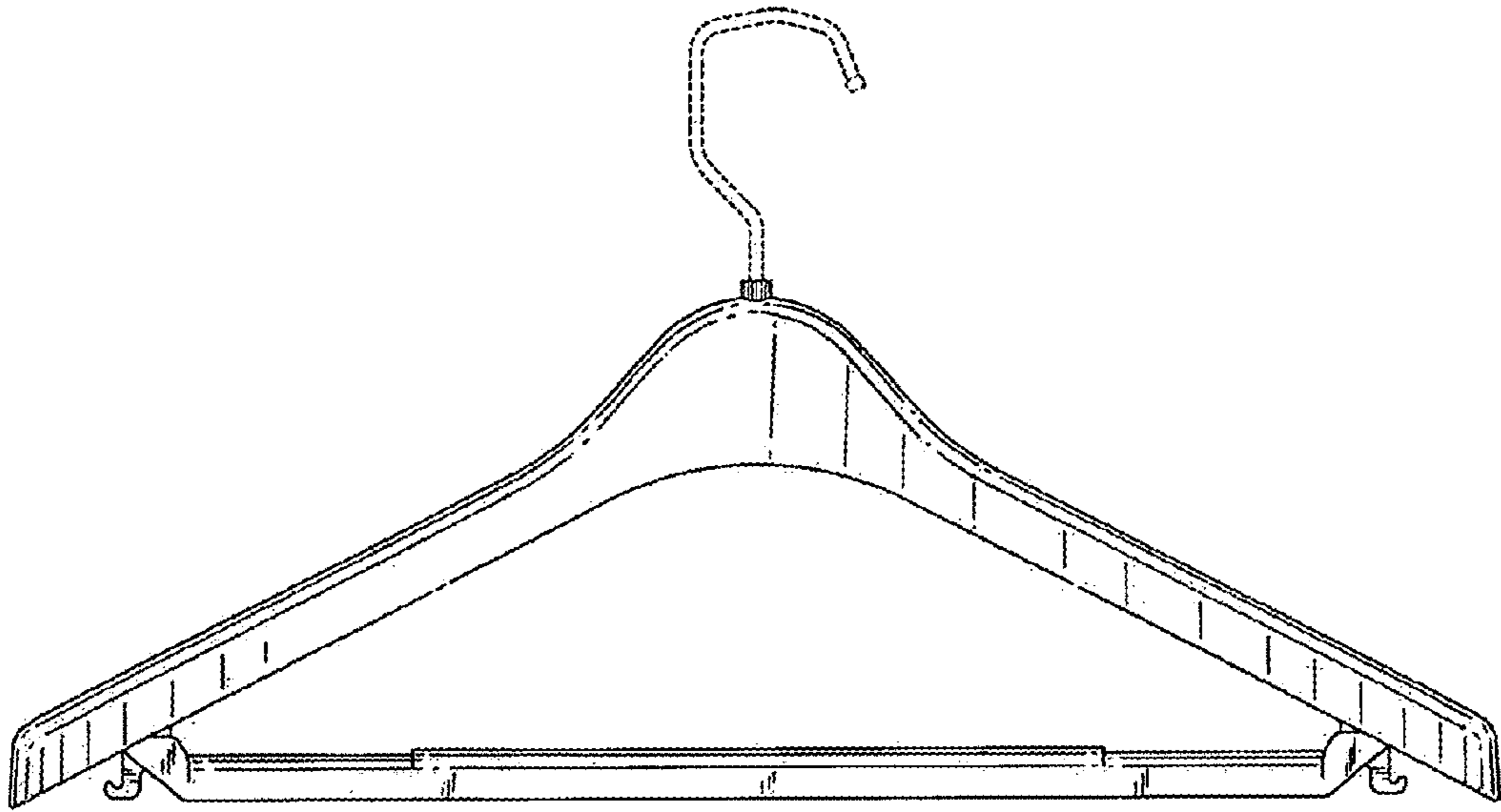


FIG. 6

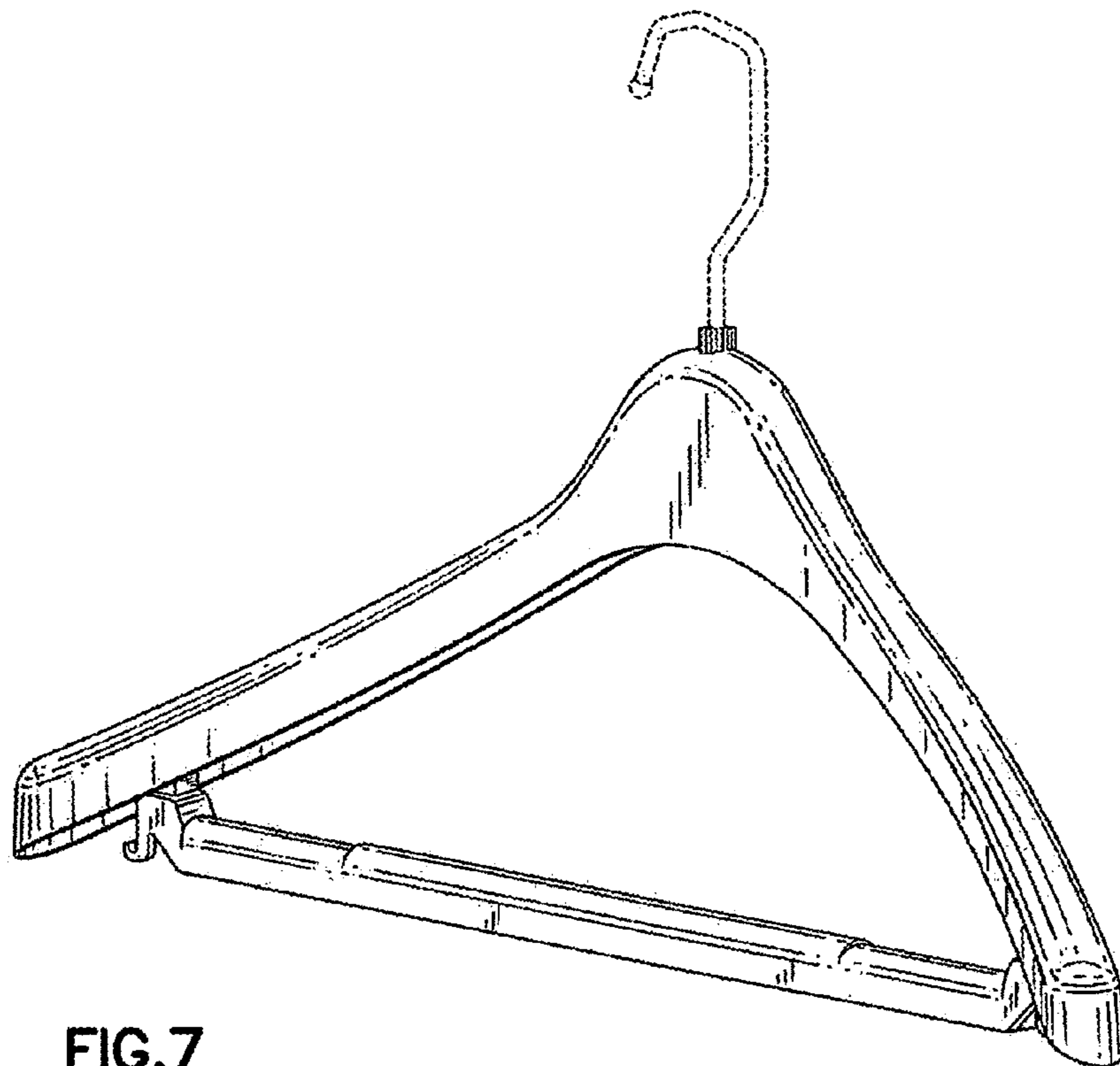


FIG. 7