



US00D744760S

(12) **United States Design Patent**
Harrington et al.

(10) **Patent No.:** **US D744,760 S**
(45) **Date of Patent:** **** Dec. 8, 2015**

(54) **BRUSH HANDLE**

(71) Applicant: **Unger Marketing International, LLC**,
Bridgeport, CT (US)

(72) Inventors: **William Harrington**, Charlestown, RI
(US); **James M. Buckley**, New Hartford,
CT (US)

(73) Assignee: **Unger Marketing International, LLC**,
Bridgeport, CT (US)

(**) Term: **14 Years**

(21) Appl. No.: **29/485,939**

(22) Filed: **Mar. 25, 2014**

(51) **LOC (10) Cl.** **04-01**

(52) **U.S. Cl.**
USPC **D4/138**

(58) **Field of Classification Search**
USPC D4/129-138; D8/45, 90, 107, 317;
D32/40, 52; 15/143.1, 146, 159.1, 160,
15/244.1; 16/430, DIG. 12, DIG. 18,
16/DIG. 19
CPC A46B 5/02; A46B 5/021; A46B 5/023;
A46B 5/025; A46B 5/026; A46B 5/028;
A46B 2200/00; A46B 2200/30; A46B
2200/3033; A46B 2200/3046; A46B
2200/3053; A46B 2200/306; A46B
2200/3086; A46B 2200/3093; B25G 1/00;
B25G 1/10; B25G 1/102; Y10S 16/12; Y10S
16/18; Y10S 16/19; Y10S 16/90; Y10T 16/44;
Y10T 16/476

See application file for complete search history.

(56) **References Cited**

U.S. PATENT DOCUMENTS

4,197,611 A 4/1980 Bell et al.
D258,861 S 4/1981 Bratton et al.
D269,565 S * 7/1983 Goldstaub D4/129

4,721,021 A 1/1988 Kuszniir
4,739,536 A 4/1988 Bandera et al.
D296,946 S 7/1988 Stirling
4,974,286 A 12/1990 Stowell et al.
D333,239 S * 2/1993 Pogue D7/649
D354,881 S 1/1995 Huff
D356,446 S * 3/1995 Hoagland D4/138
D361,695 S 8/1995 Sutker
5,446,941 A 9/1995 Kelsay
D373,506 S 9/1996 Viemeister
D380,345 S 7/1997 Lu
D384,242 S 9/1997 Ancona et al.
D389,698 S 1/1998 Cohen et al.

(Continued)

FOREIGN PATENT DOCUMENTS

JP 1217028 S * 9/2004

Primary Examiner — Melanie H Tung

Assistant Examiner — Lavone D Tabor

(74) *Attorney, Agent, or Firm* — Ohlandt, Greeley, Ruggiero
& Perle, LLP

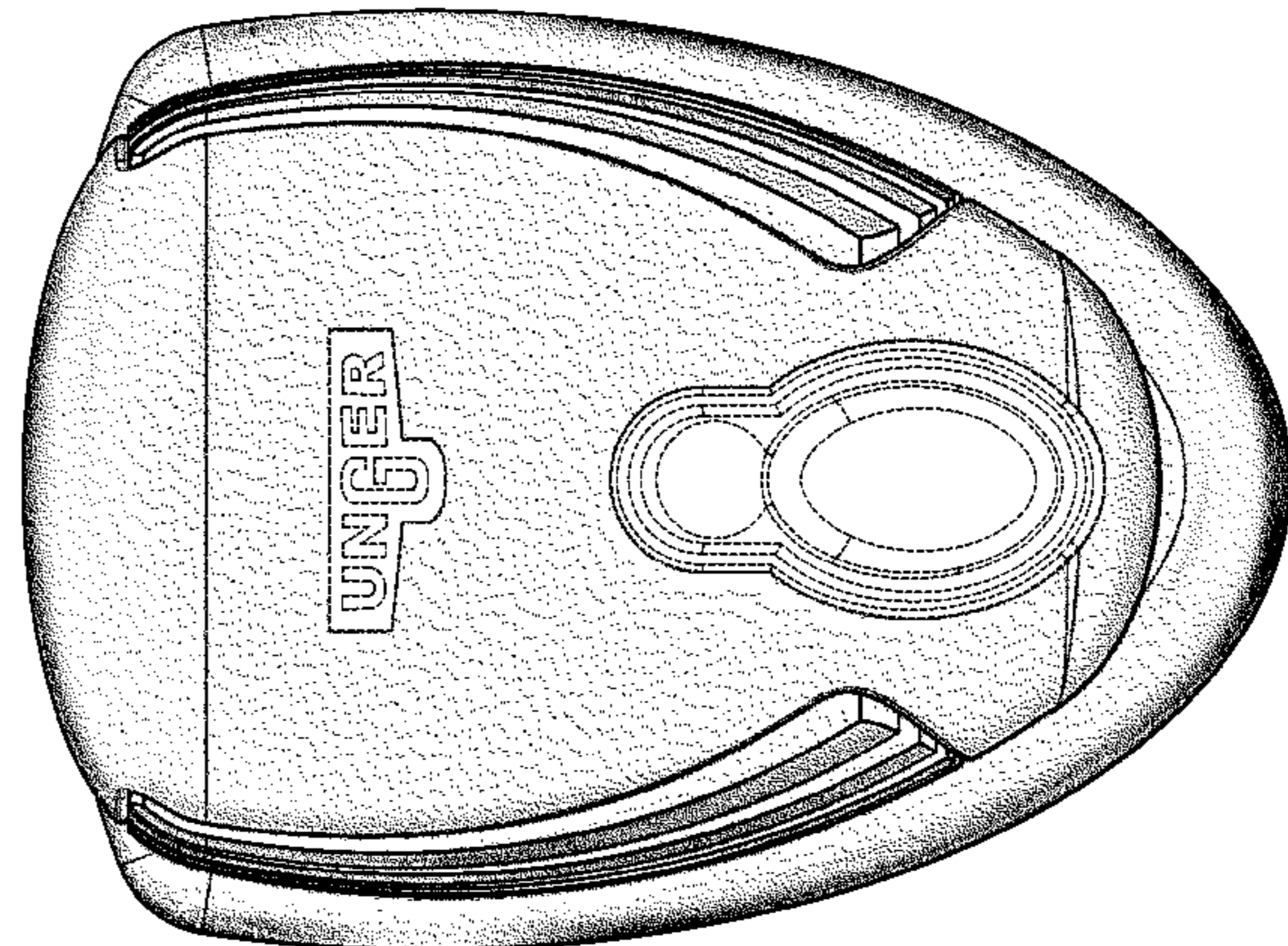
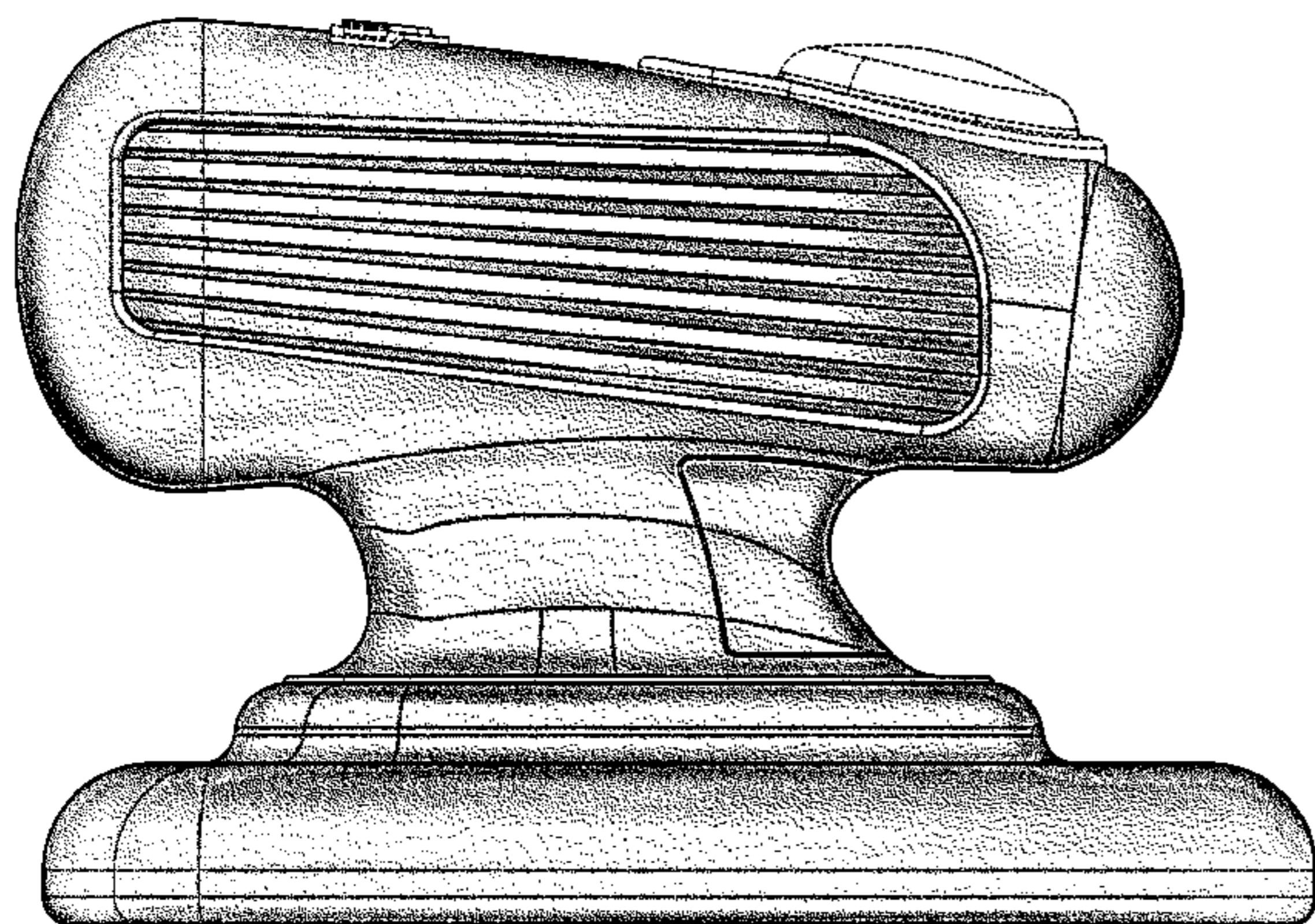
(57) **CLAIM**

The ornamental design for the brush handle, as shown and
described.

DESCRIPTION

FIG. 1 is a top front perspective view of a brush handle
according to the present disclosure;
FIG. 2 is a side view of the brush handle of FIG. 1, the
opposite side being identical thereto; and
FIG. 3 is a top view of the brush handle of FIG. 1;
FIG. 4 is a bottom view of the brush handle of FIG. 1;
FIG. 5 is a rear view of the brush handle of FIG. 1; and,
FIG. 6 is a front view of the brush handle of FIG. 1.
The broken lines and the areas within the broken lines illus-
trate portions of brush handle that form no part of the claimed
design.

1 Claim, 5 Drawing Sheets



(56)

References Cited

U.S. PATENT DOCUMENTS

D396,168 S 7/1998 Cohen et al.
 D399,388 S 10/1998 Cohen et al.
 5,857,241 A 1/1999 Camp, Jr. et al.
 D406,491 S 3/1999 Cohen et al.
 D411,410 S 6/1999 Pedrini
 5,964,009 A 10/1999 Hoepfl et al.
 D429,136 S * 8/2000 Ali et al. D8/90
 D431,753 S 10/2000 Cohen et al.
 D437,095 S * 1/2001 Osiecki et al. D32/40
 RE37,190 E 5/2001 Stowell et al.
 6,237,193 B1 5/2001 Skerker et al.
 6,256,828 B1 7/2001 Sauer
 D446,025 S 8/2001 Petner
 6,273,626 B1 8/2001 Yazawa
 D448,176 S 9/2001 Petner
 D449,451 S * 10/2001 Petner D4/129
 6,352,662 B1 3/2002 Murphy et al.
 D461,058 S 8/2002 Hay
 6,633,309 B2 10/2003 Lau et al.
 D500,600 S 1/2005 Hay et al.
 D500,927 S 1/2005 Hay
 D502,002 S 2/2005 Conway et al.
 D502,324 S 3/2005 Conway et al.
 D508,631 S 8/2005 Cuillery
 D509,991 S 9/2005 Costello et al.

D520,852 S 5/2006 Minkler et al.
 7,115,172 B1 * 10/2006 Teodorovich 134/6
 D534,725 S 1/2007 Vu
 D553,907 S 10/2007 Catalano et al.
 D554,817 S 11/2007 Talesfore et al.
 D556,408 S * 11/2007 Lang et al. D32/52
 D557,084 S 12/2007 Yamanaka et al.
 7,310,845 B2 * 12/2007 Gilli 15/93.4
 D562,516 S 2/2008 Talesfore et al.
 D577,871 S * 9/2008 Caserta et al. D32/14.1
 D584,061 S 1/2009 Meyer
 D586,877 S 2/2009 Li
 D586,962 S 2/2009 Li
 D591,956 S 5/2009 Treacy
 D594,274 S 6/2009 McKenzie
 D606,320 S 12/2009 Meyer
 D607,169 S 12/2009 Weis et al.
 D607,297 S * 1/2010 Ali et al. D8/90
 7,674,418 B2 3/2010 Matsumoto et al.
 D616,649 S 6/2010 Lin
 D624,264 S 9/2010 Li
 D630,888 S 1/2011 Bodum
 D643,221 S * 8/2011 Gates et al. D4/138
 D644,030 S * 8/2011 Gates et al. D4/138
 D647,703 S 11/2011 Li
 D650,955 S 12/2011 Chapman et al.
 8,215,945 B2 7/2012 Matsumoto et al.
 D694,021 S 11/2013 Weaver et al.

* cited by examiner

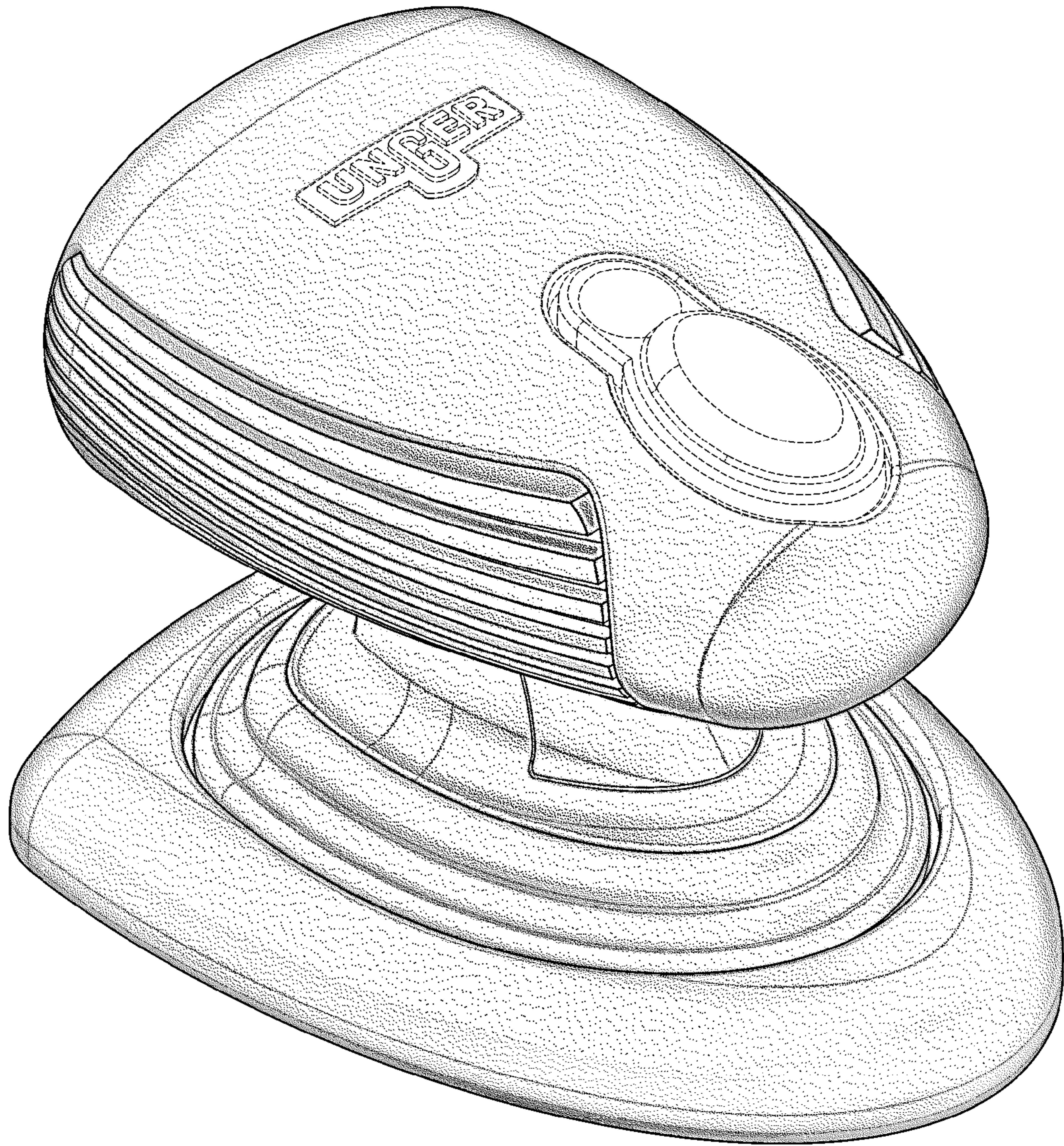


FIG. 1

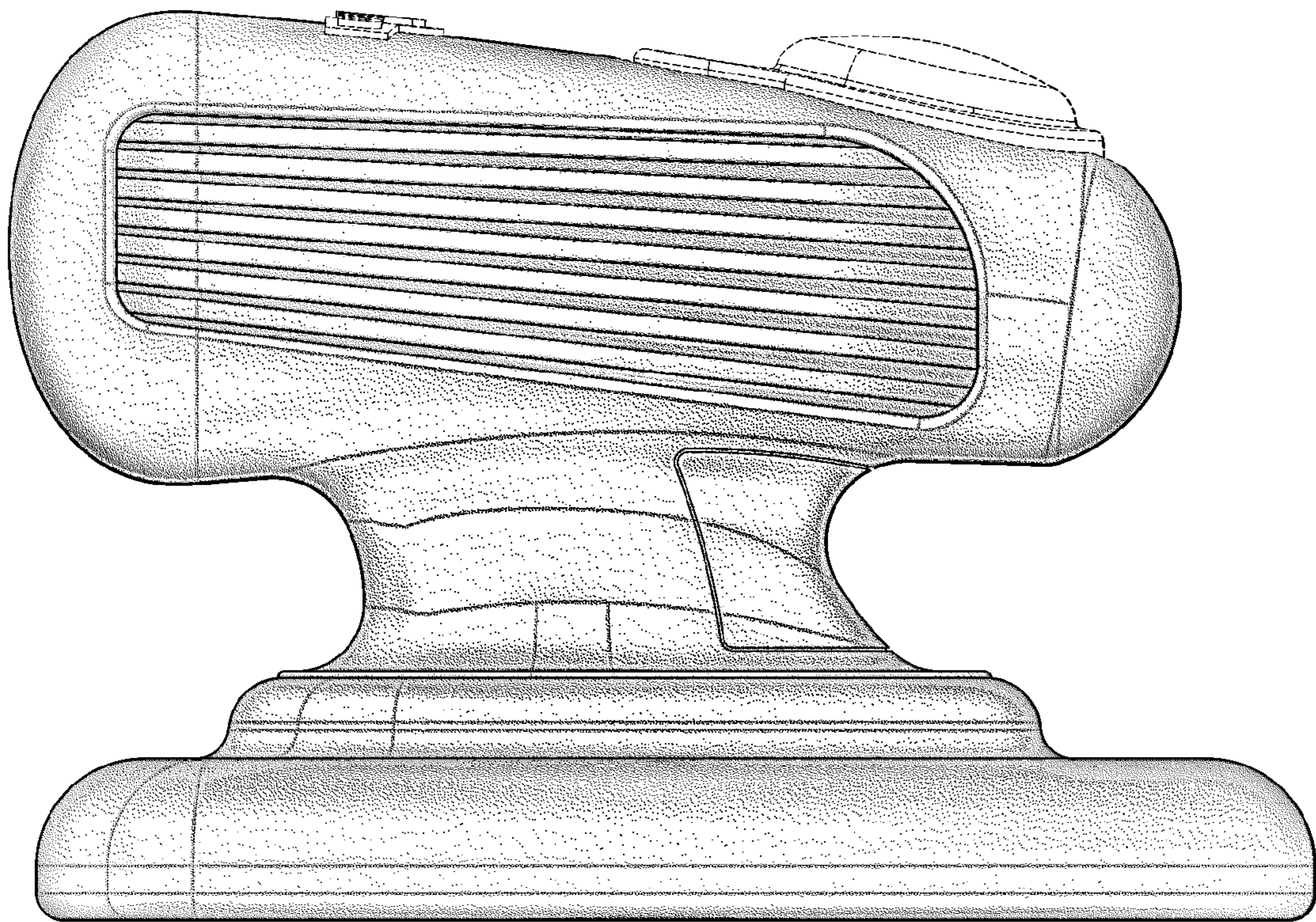


FIG. 2

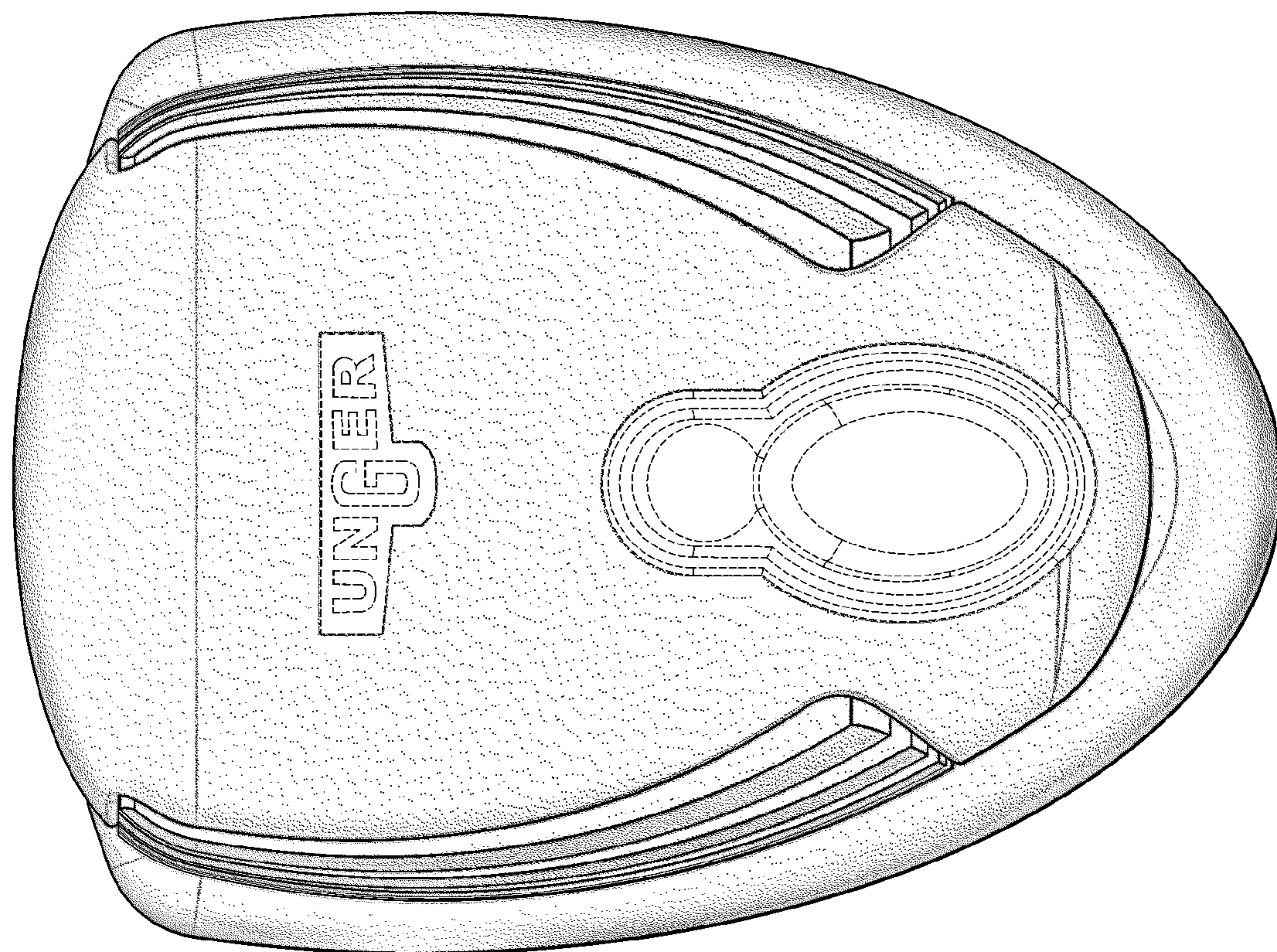


FIG. 3

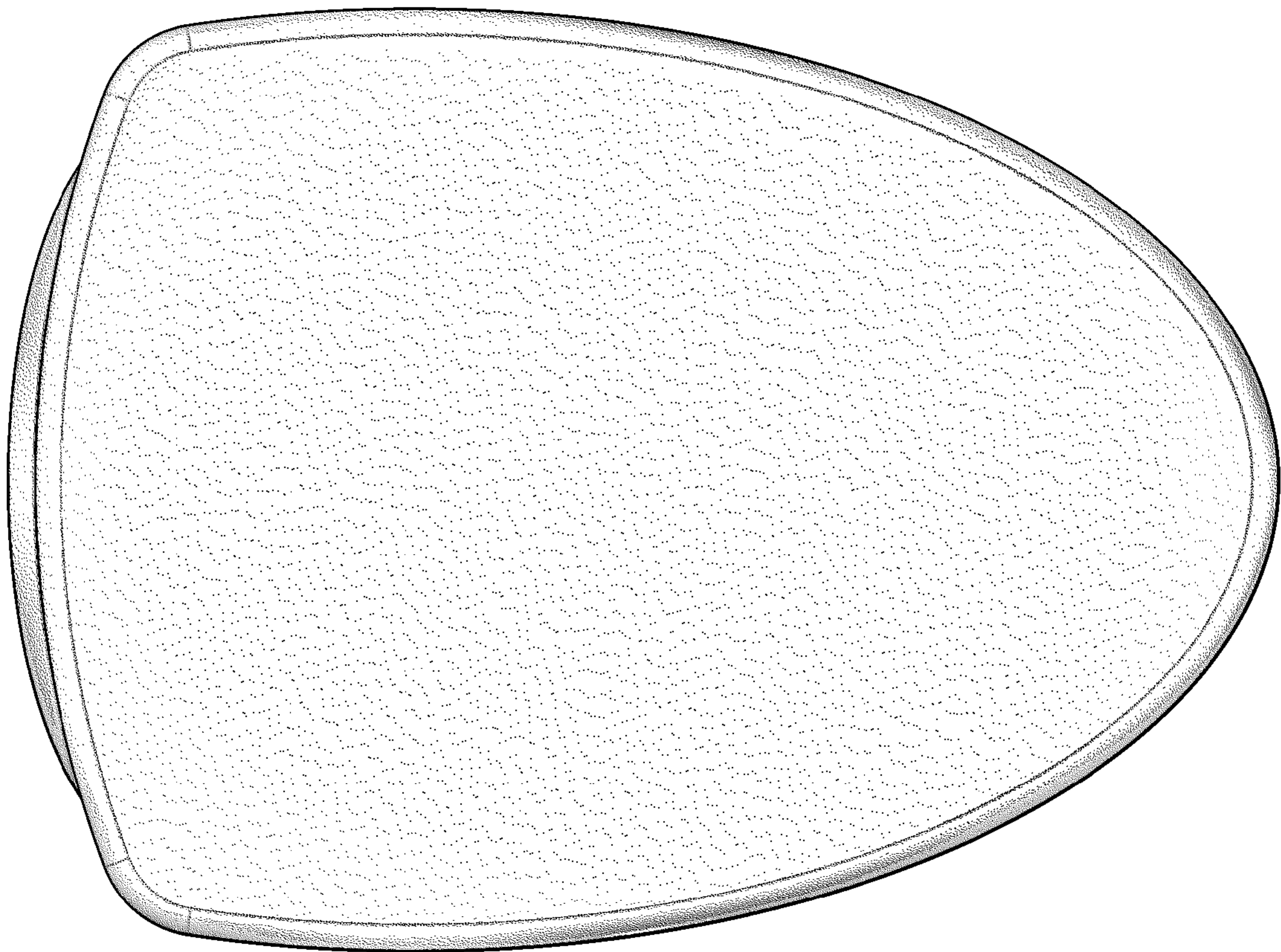


FIG. 4

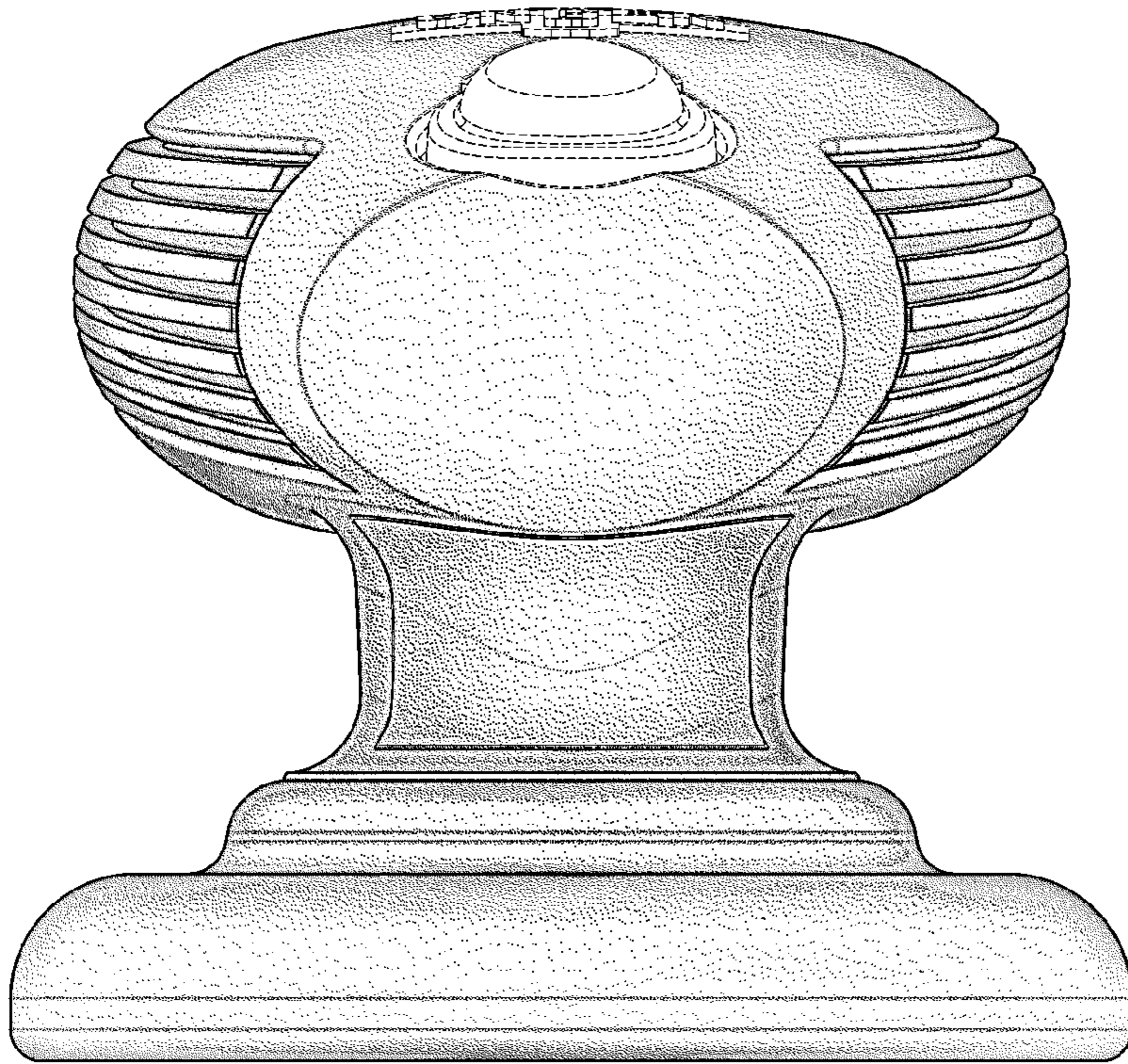


FIG. 5

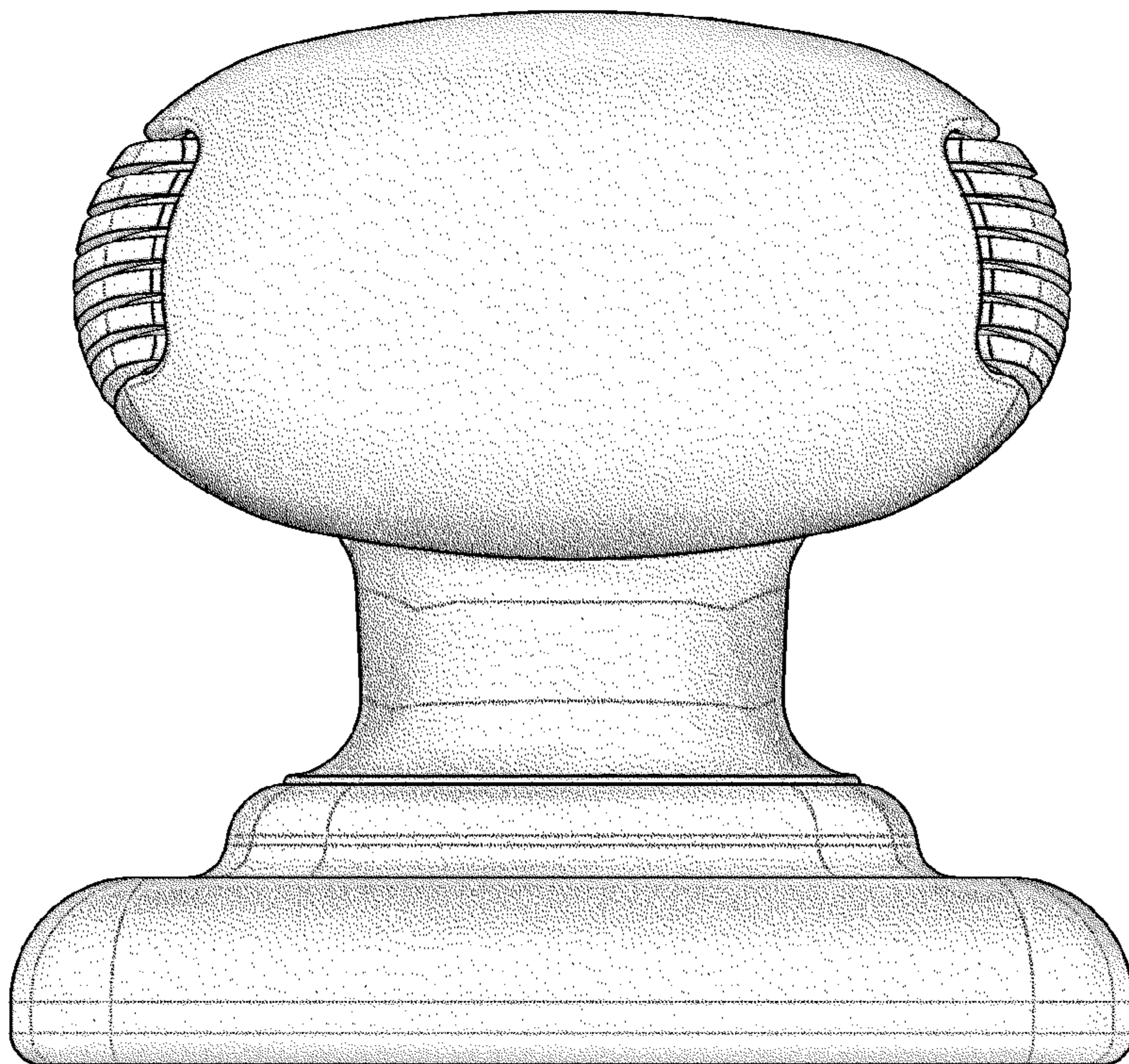


FIG. 6