



US00D744758S

(12) **United States Design Patent**
Albers

(10) **Patent No.:** **US D744,758 S**

(45) **Date of Patent:** **** Dec. 8, 2015**

(54) **COMBINATION EYEBROW BRUSH, COMB,
AND TWEEZER**

(71) Applicant: **Luft Industrie Inc.**, Oakland, CA (US)

(72) Inventor: **Oliver Albers**, Oakland, CA (US)

(73) Assignee: **Luft Industrie, Inc.**, Oakland, CA (US)

(**) Term: **14 Years**

(21) Appl. No.: **29/458,728**

(22) Filed: **Jun. 21, 2013**

(51) **LOC (10) Cl.** **04-02**

(52) **U.S. Cl.**

USPC **D4/116; D4/117; D4/121; D28/55**

(58) **Field of Classification Search**

USPC **D4/116, 117, 121; D28/21, 25, 55;
15/105, 176.1; 132/215, 216, 218, 219,
132/104, 120, 148, 313; 294/99.2; 606/210,
606/211**

CPC .. **A46B 5/0095; A46B 9/021; A46B 15/0055;
A46B 15/0059; A46B 15/0065; A46B
2200/1046; A46B 2200/1053; A46B
2200/106; A46D 24/10; A46D 24/16; A46D
24/18; A45D 26/00; A45D 26/0066; A61B
17/50**

See application file for complete search history.

(56) **References Cited**

U.S. PATENT DOCUMENTS

1,174,004 A 2/1916 Greenwald
1,429,823 A 9/1922 Allison

(Continued)

FOREIGN PATENT DOCUMENTS

AU 20100143 A4 3/2010
CN 301224591 S 5/2010

(Continued)

Primary Examiner — Melanie H Tung

Assistant Examiner — Lavone D Tabor

(74) *Attorney, Agent, or Firm* — Onello & Mello, LLP

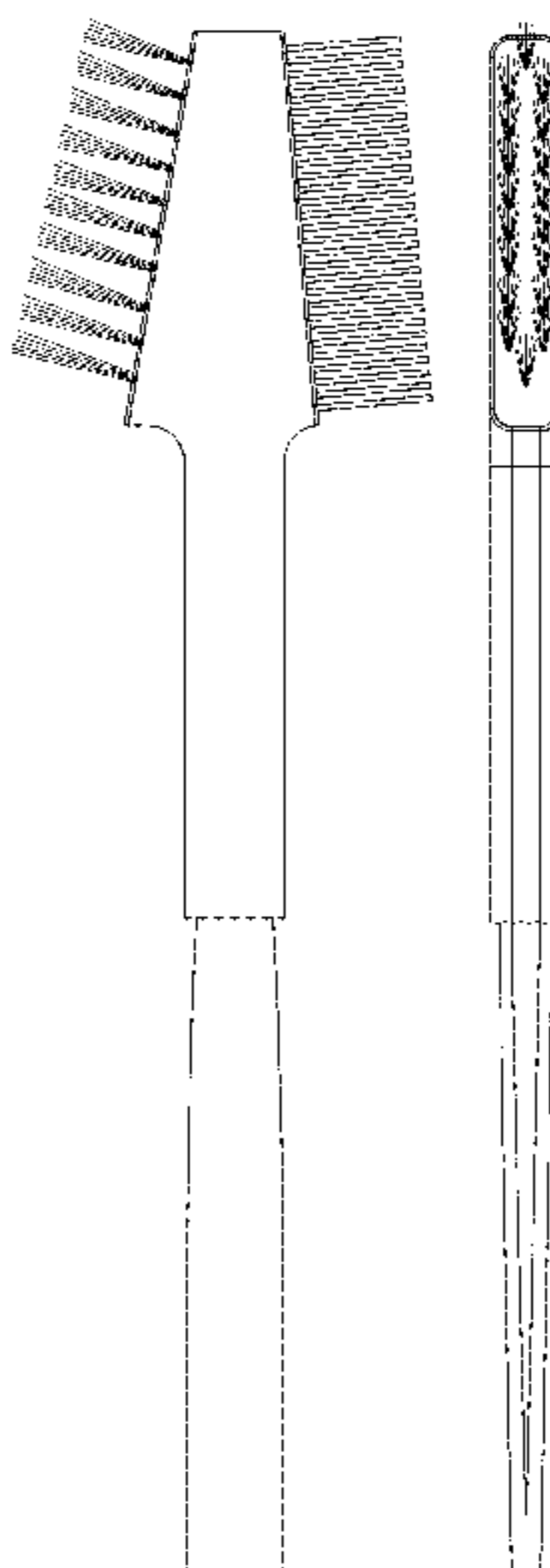
(57) **CLAIM**

The ornamental design for a combination eyebrow brush, comb, and tweezer, as shown and described.

DESCRIPTION

FIG. 1 is a front view of a first embodiment of a combination eyebrow brush, comb, and tweezer showing my new design; FIG. 2 is a rear view of the design shown in FIG. 1; FIG. 3 is a right side view of the design shown in FIG. 1; FIG. 4 is a left side view of the design shown in FIG. 1; FIG. 5 is a bottom view of the design shown in FIG. 1; FIG. 6 is a top view of the design shown in FIG. 1; FIG. 7 is a front view of a second embodiment of the combination eyebrow brush, comb, and tweezer; FIG. 8 is a rear view of the design shown in FIG. 7; FIG. 9 is a right side view of the design shown in FIG. 7; FIG. 10 is a left side view of the design shown in FIG. 7; FIG. 11 is a bottom view of the design shown in FIG. 7; FIG. 12 is a top view of the design shown in FIG. 7; FIG. 13 is a front view of the brush and comb portion common to both embodiments and shown separately for clarity of illustration only; FIG. 14 is a rear view of the portion shown in FIG. 13; FIG. 15 is a right side view of the portion shown in FIG. 13; FIG. 16 is a left side view of the portion shown in FIG. 13; FIG. 17 is a bottom view of the portion shown in FIG. 13; FIG. 18 is a top view of the portion shown in FIG. 13; FIG. 19 is a front view of the tweezer portion of the first embodiment, shown separately for clarity of illustration only; FIG. 20 is a rear view of the portion shown in FIG. 19; FIG. 21 is a right side view of the portion shown in FIG. 19; FIG. 22 is a left side view of the portion shown in FIG. 19; FIG. 23 is a bottom view of the portion shown in FIG. 19; FIG. 24 is a top view portion shown in FIG. 19; FIG. 25 is a front view of the tweezer portion of the second embodiment, shown separately for clarity of illustration only; FIG. 26 is a rear view of the portion shown in FIG. 25; FIG. 27 is a right side view of the portion shown in FIG. 25; FIG. 28 is a left side view of the portion shown in FIG. 25; FIG. 29 is a bottom view of the portion shown in FIG. 25; and, FIG. 30 is a top view of the portion shown in FIG. 25.

1 Claim, 7 Drawing Sheets



(56)

References Cited

U.S. PATENT DOCUMENTS

D137,637 S 4/1944 Nelson et al.
D159,106 S 6/1950 Stamp
D339,235 S 9/1993 Hirzel
D391,023 S 2/1998 Baldesberger
7,322,365 B2 1/2008 Kelloyan

2008/0243179 A1 10/2008 Ziv
2009/0131977 A1 5/2009 Ross
2010/0324594 A1 12/2010 Mercanti

FOREIGN PATENT DOCUMENTS

GB 2206485 A 1/1989
JP 20030475523 A 2/2003
WO 2010150418 A1 12/2010

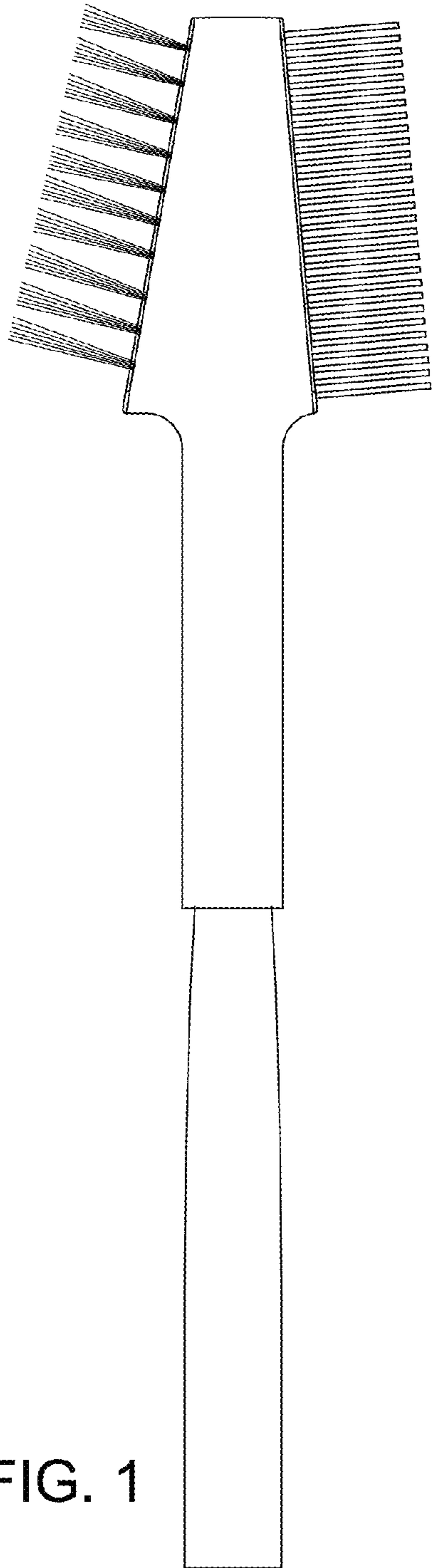


FIG. 1

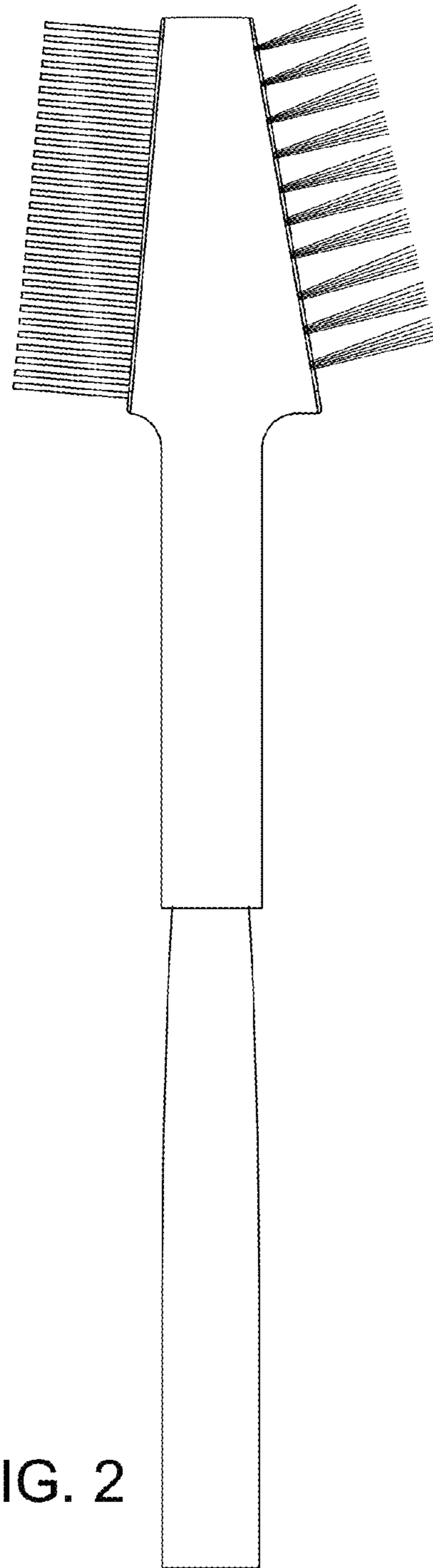


FIG. 2

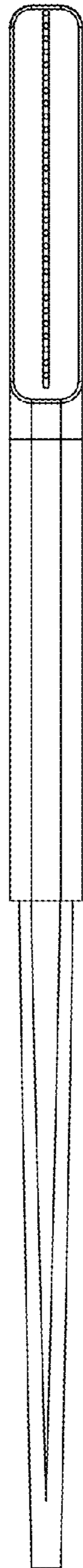


FIG. 3

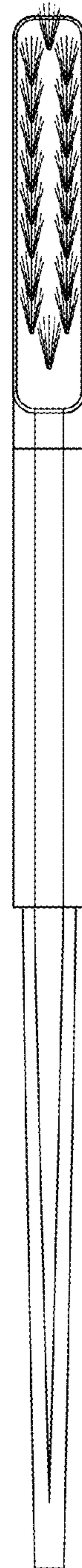


FIG. 4



FIG. 5

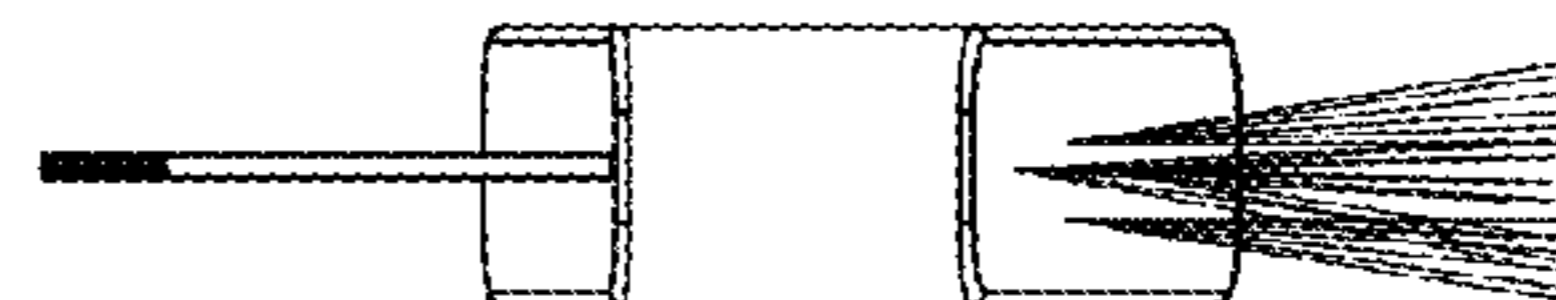
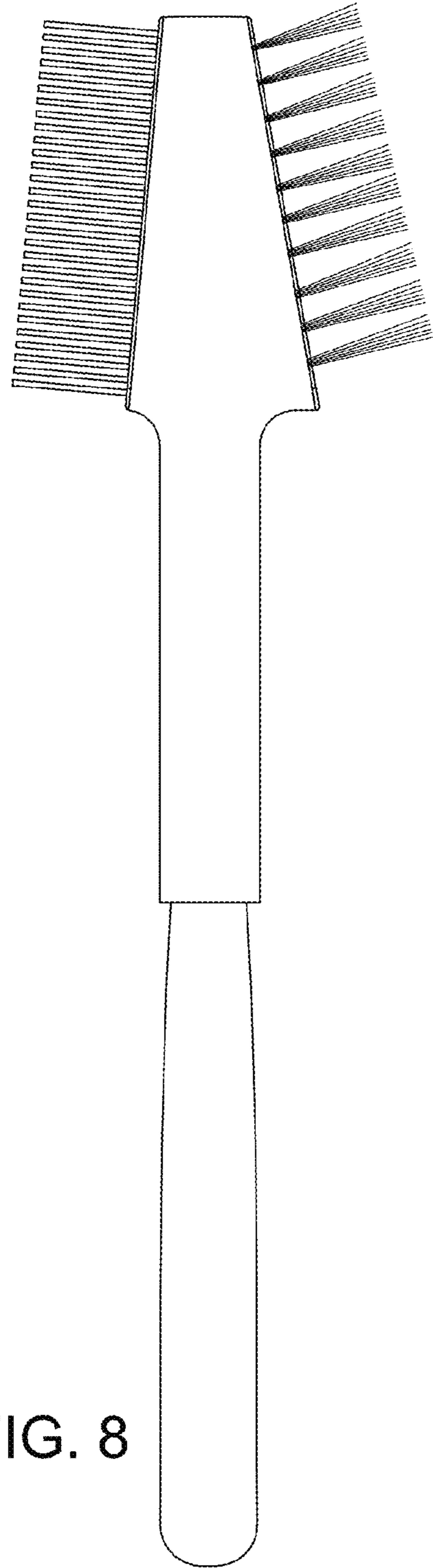
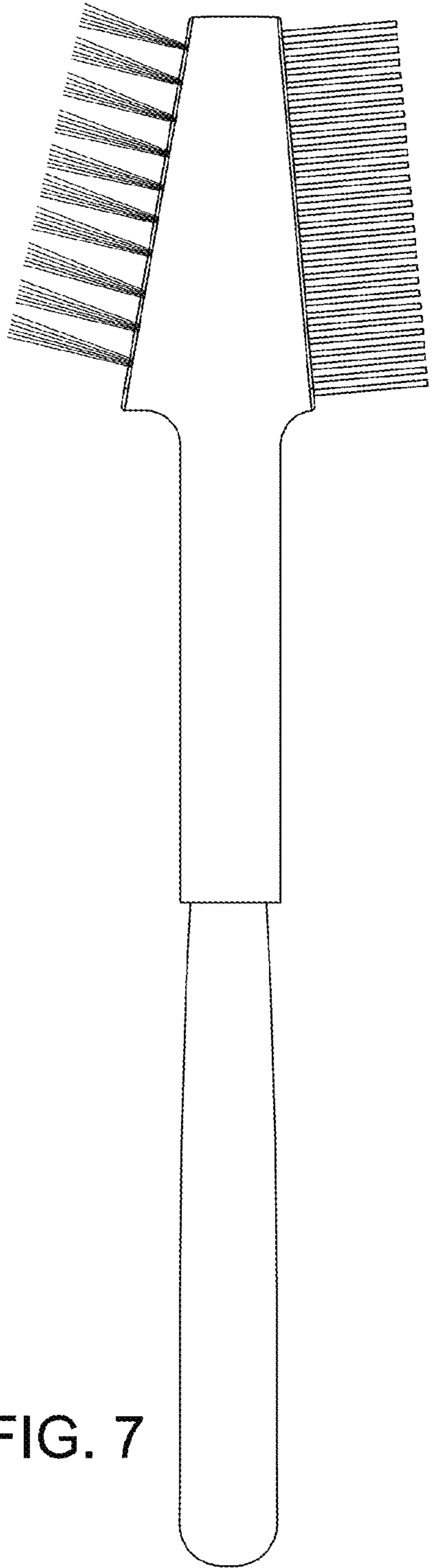


FIG. 6



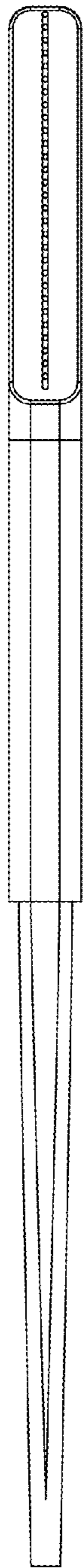


FIG. 9

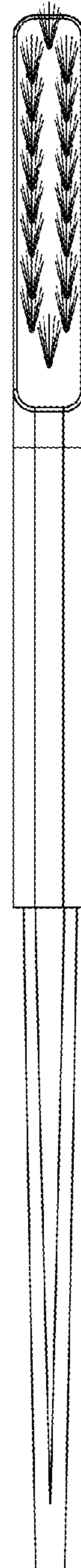


FIG. 10

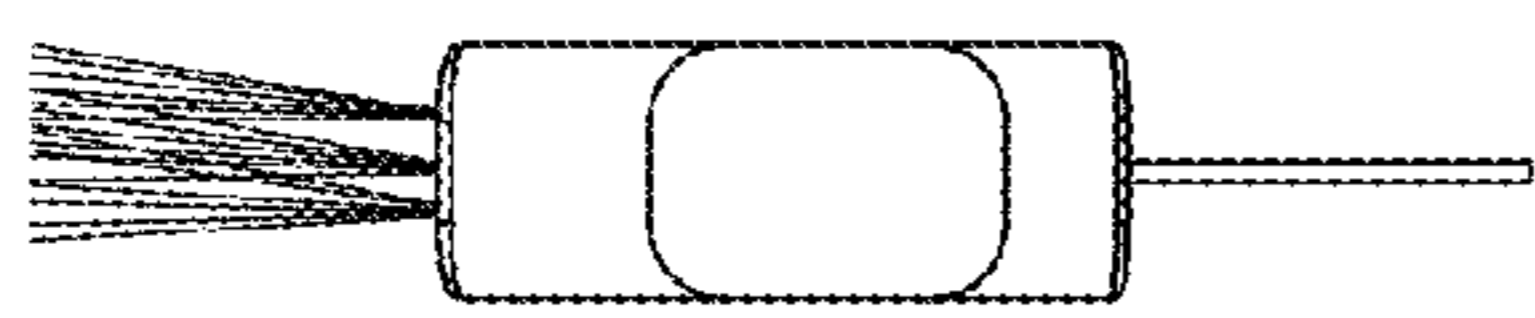


FIG. 11



FIG. 12

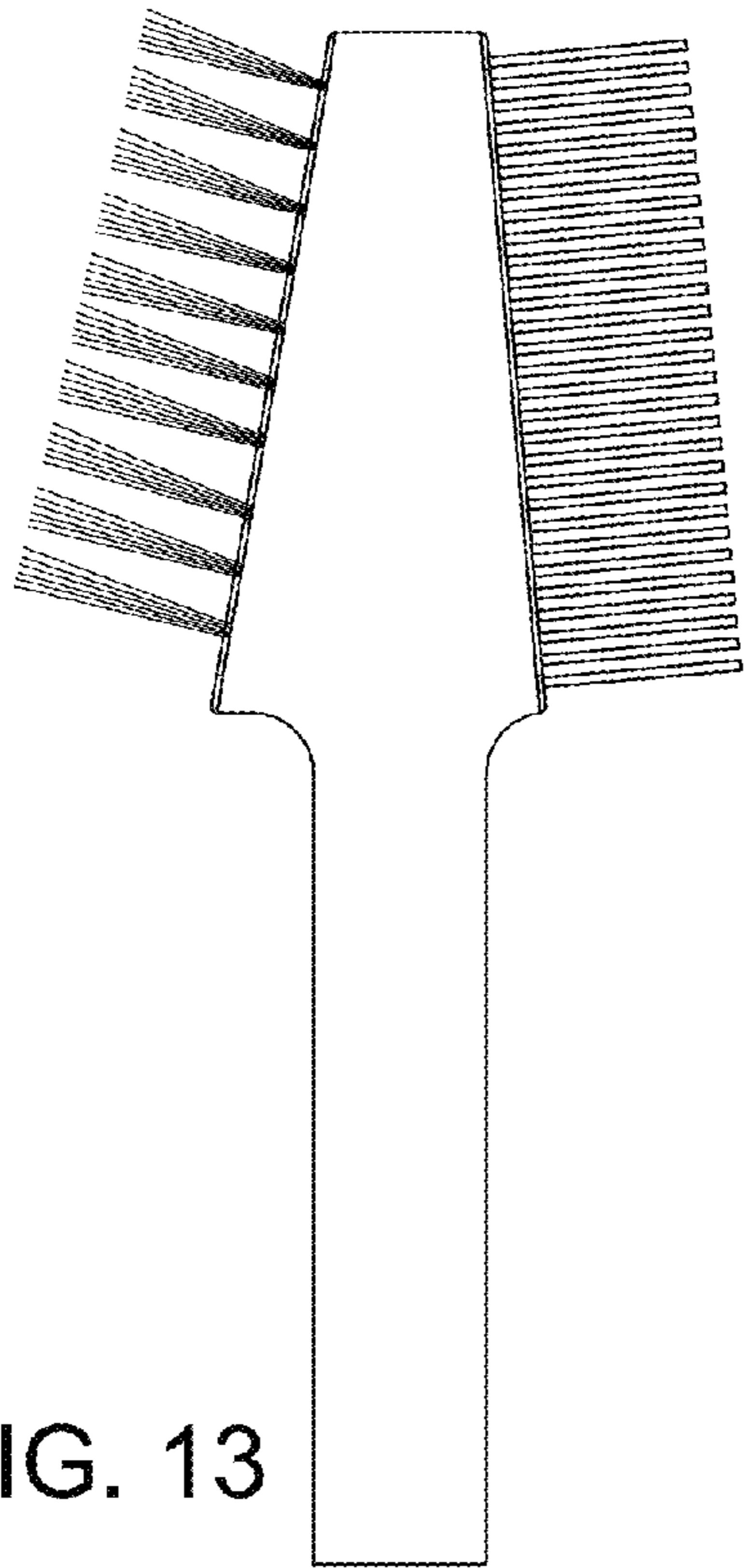


FIG. 13

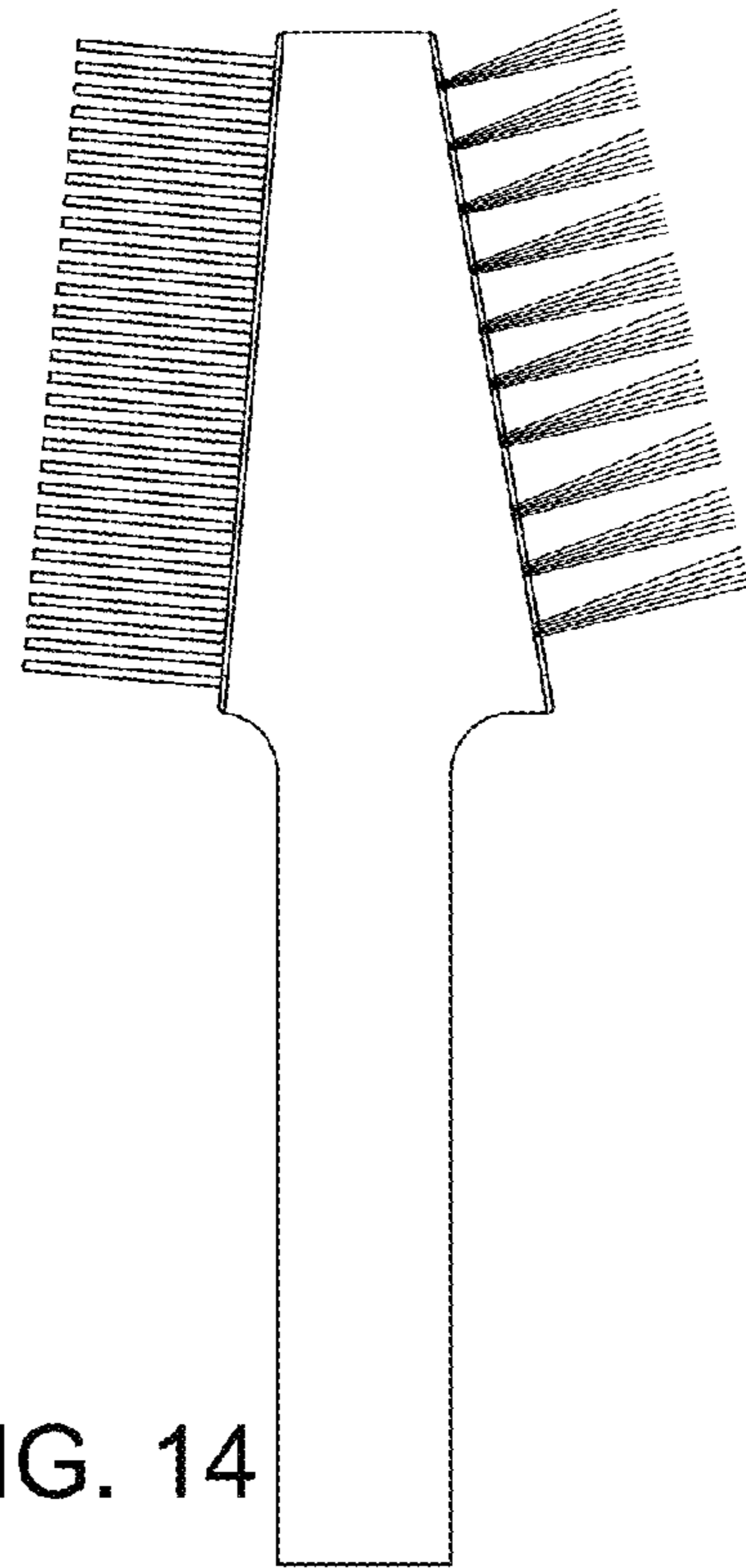


FIG. 14

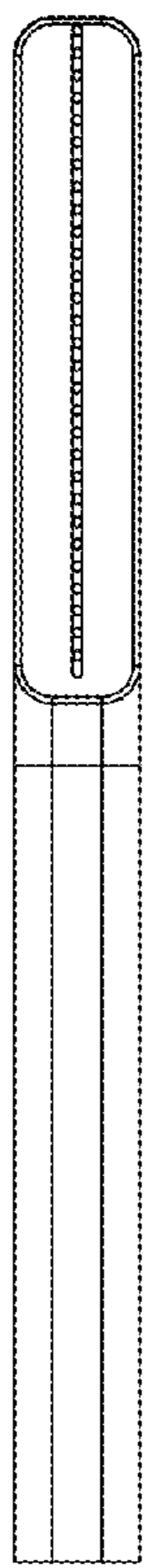


FIG. 15

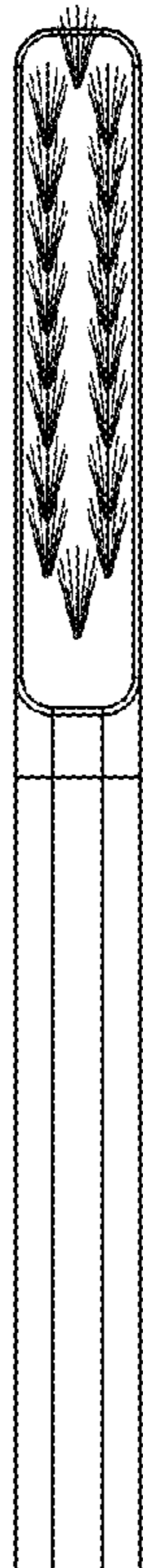


FIG. 16

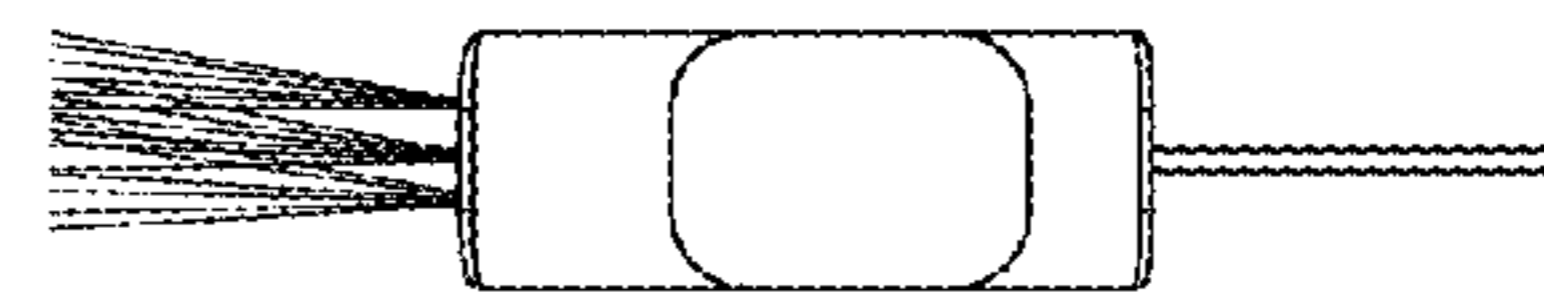


FIG. 17



FIG. 18

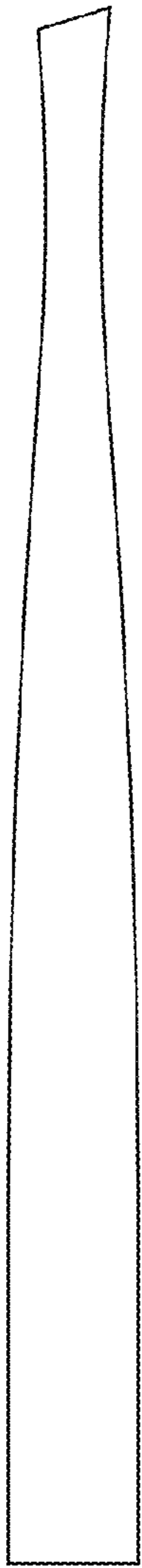


FIG. 19

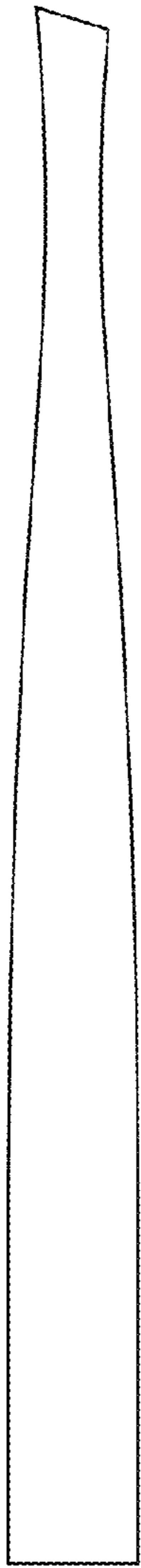


FIG. 20

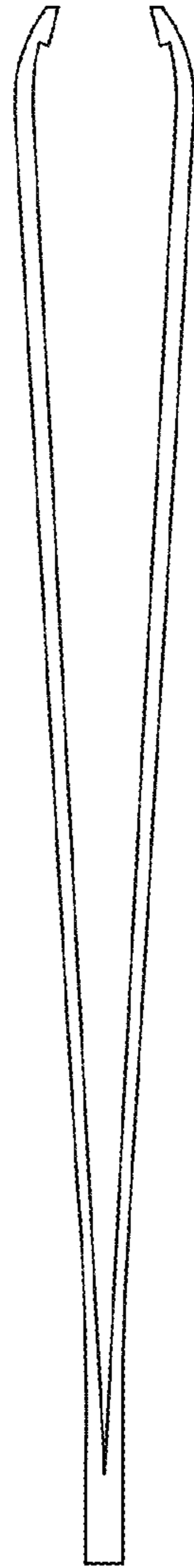


FIG. 21



FIG. 22

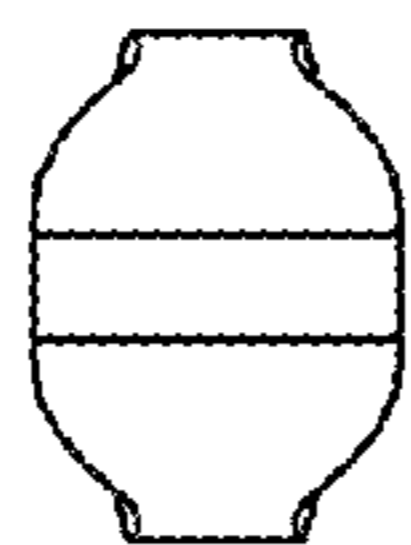


FIG. 23

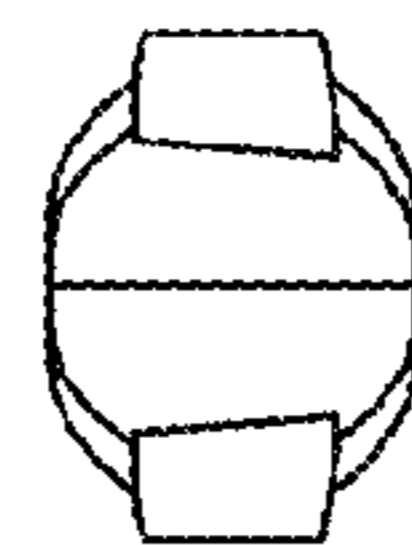


FIG. 24

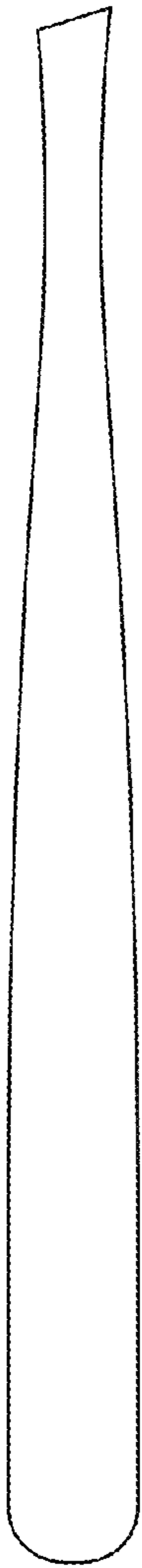


FIG. 25



FIG. 26



FIG. 27

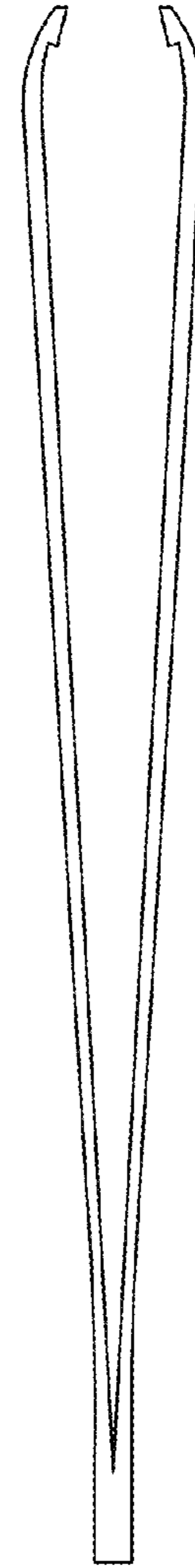


FIG. 28

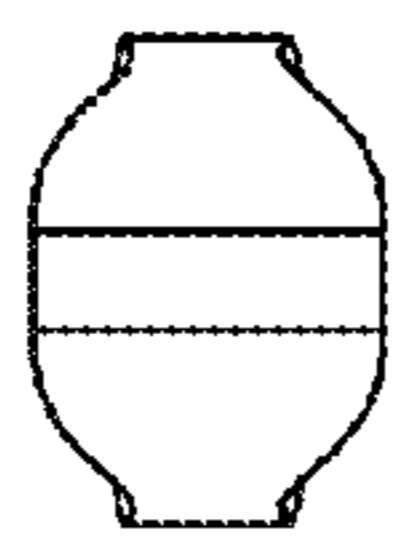


FIG. 29

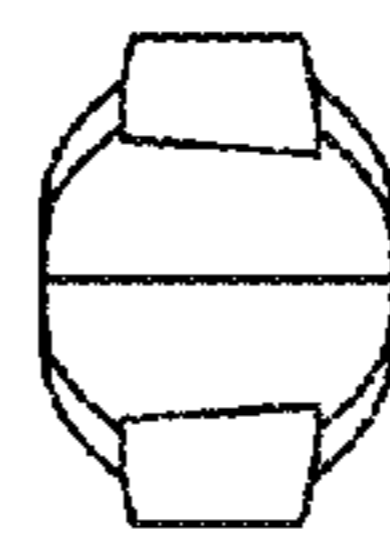


FIG. 30