



US00D744756S

(12) **United States Design Patent**
Kato et al.

(10) **Patent No.:** **US D744,756 S**

(45) **Date of Patent:** **** Dec. 8, 2015**

(54) **INTERDENTAL CLEANING TOOL**

(71) Applicant: **SUNSTAR SUISSE SA**, Etoy (CH)

(72) Inventors: **Keisuke Kato**, Takatsuki (JP); **Anri Gengyo**, Takatsuki (JP); **Tetsuya Takahashi**, Takatsuki (JP); **Nobuharu Matsudomi**, Takatsuki (JP)

(73) Assignee: **SUNSTAR SUISSE SA**, Etoy (CH)

(**) Term: **14 Years**

(21) Appl. No.: **29/446,600**

(22) Filed: **Feb. 26, 2013**

(30) **Foreign Application Priority Data**

Aug. 30, 2012 (JP) D2012-20853

Aug. 30, 2012 (JP) D2012-20854

(51) **LOC (10) Cl.** **04-02**

(52) **U.S. Cl.**
USPC **D4/104**; D4/111

(58) **Field of Classification Search**
USPC D4/101-114, 128, 138; D28/65, 66, 68;
132/321, 329, 216, 218, 317
CPC A61C 15/00; A61C 15/02; A61C 15/041;
A61C 15/042; A46B 3/18; A46B 9/00;
A46B 9/021; A46B 2200/1046; A46B
2200/1053; A46B 2200/106; A46B 2200/108

See application file for complete search history.

(56) **References Cited**

U.S. PATENT DOCUMENTS

3,779,256	A *	12/1973	Maloney et al.	132/329
D294,072	S *	2/1988	Stern et al.	D28/65
D521,737	S *	5/2006	Siemer	D4/111
D674,610	S *	1/2013	Eatherton	D4/111
2010/0024839	A1 *	2/2010	Kalbfeld et al.	132/329
2014/0166043	A1 *	6/2014	Dishon	132/329

FOREIGN PATENT DOCUMENTS

JP	3049028	U *	5/1998
JP	1454155	S *	10/2012

* cited by examiner

Primary Examiner — Melanie H Tung

Assistant Examiner — Lavone D Tabor

(74) *Attorney, Agent, or Firm* — Kratz, Quintos & Hanson, LLP

(57) **CLAIM**

The ornamental design for an interdental cleaning tool, as shown and described.

DESCRIPTION

FIG. 1 is a perspective view of the interdental cleaning tool of the present invention;

FIG. 2 is a front view thereof;

FIG. 3 is a back view thereof;

FIG. 4 is a right side view thereof;

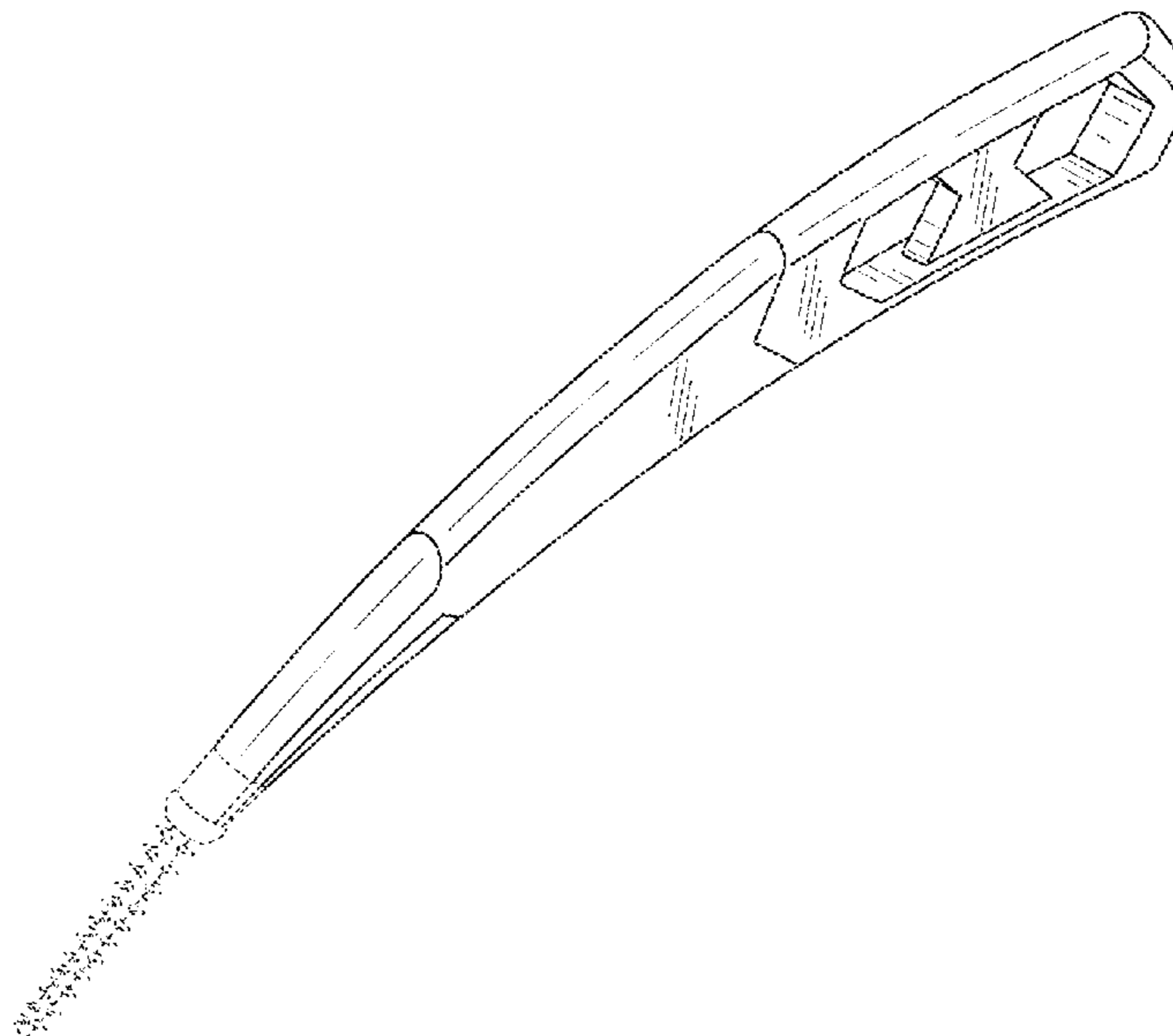
FIG. 5 is a left side view thereof;

FIG. 6 is a top plan view thereof; and,

FIG. 7 is a bottom view thereof.

The broken lines showing the head and part of the handle illustrate portions of the interdental cleaning tool that form no part of the claimed design.

1 Claim, 7 Drawing Sheets



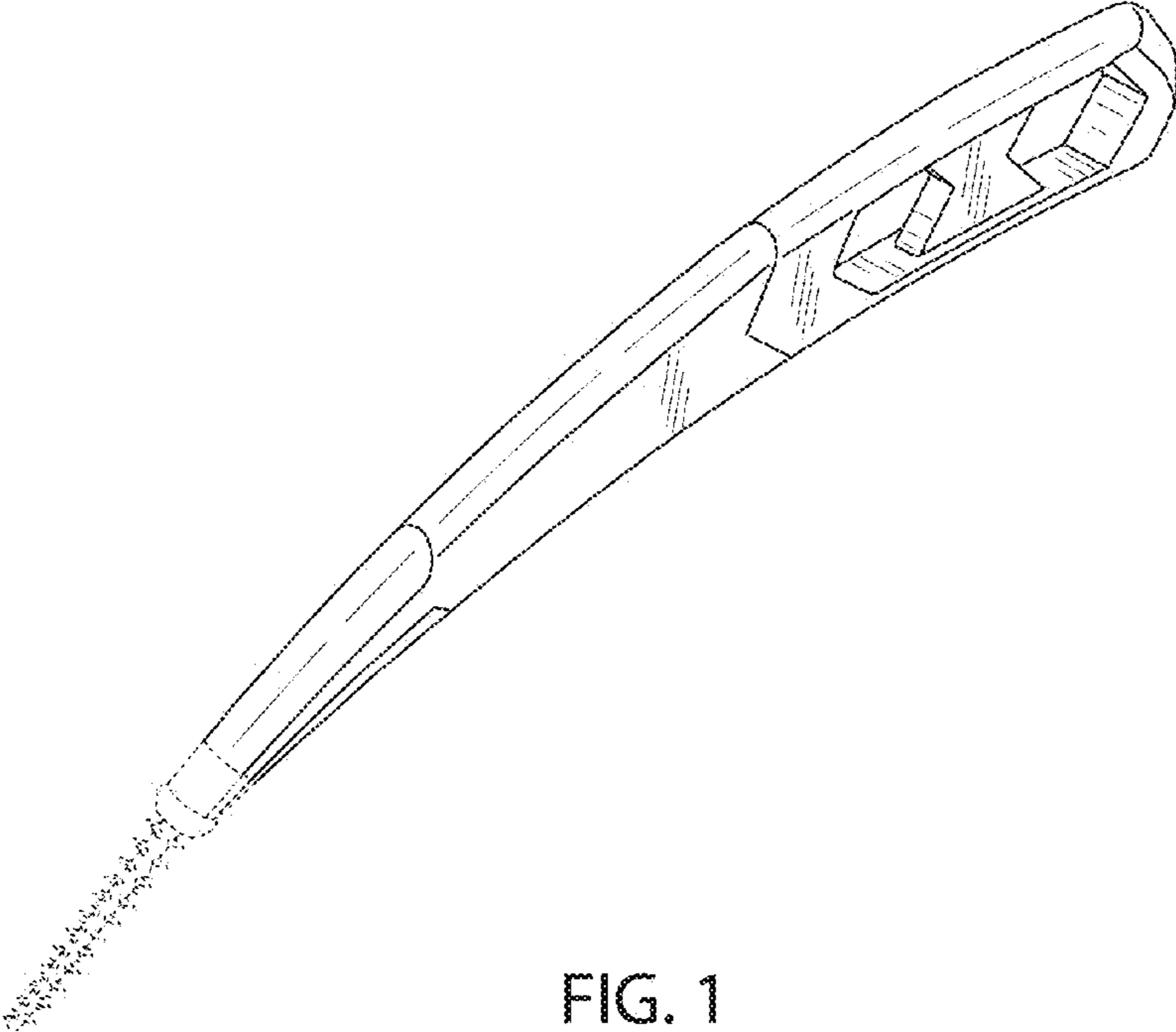


FIG. 1

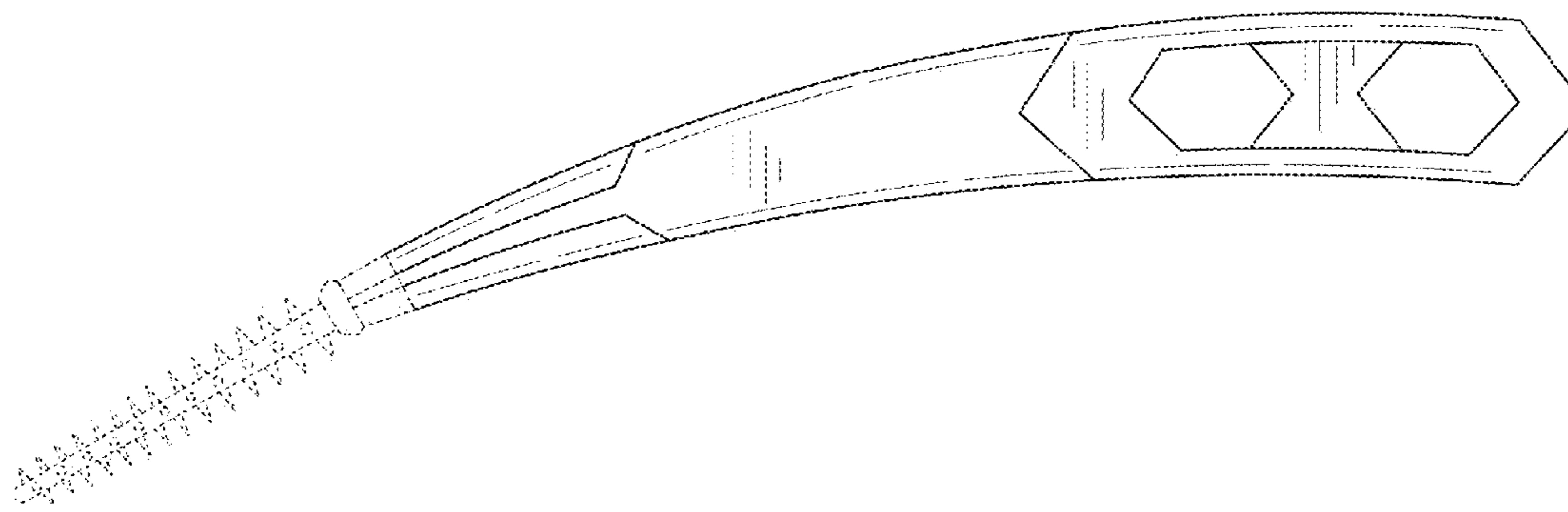


FIG. 2

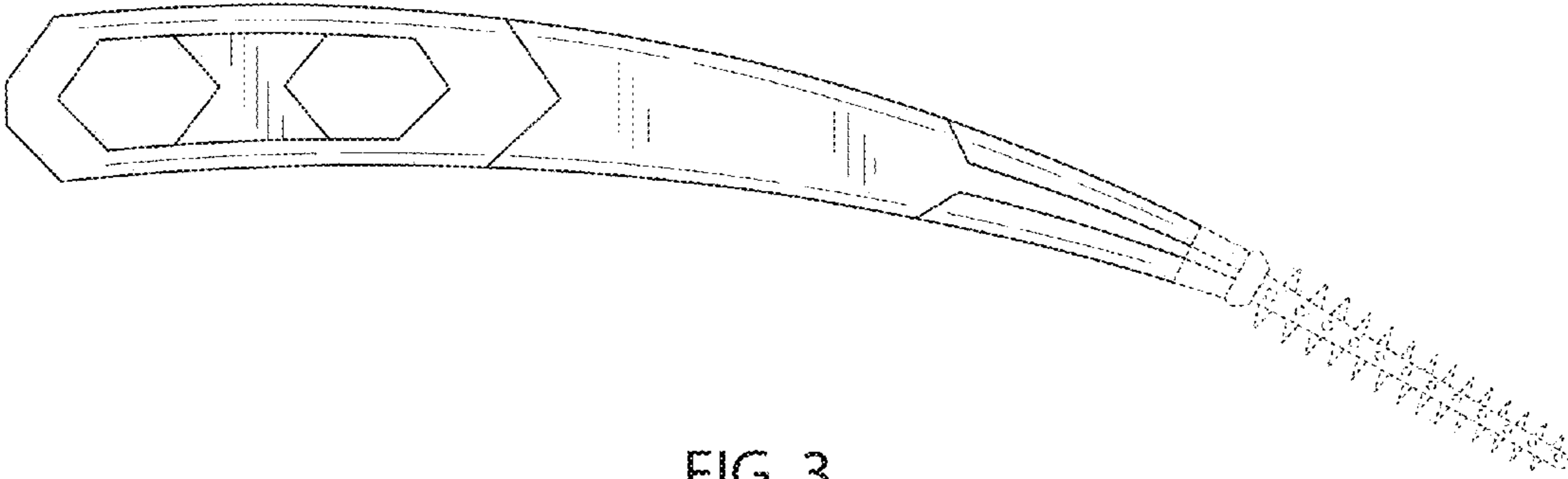


FIG. 3



FIG. 4



FIG. 5

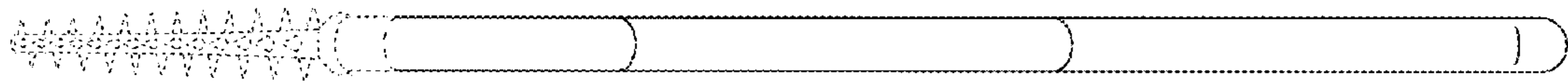


FIG. 6

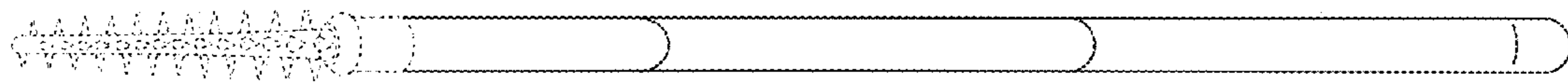


FIG. 7