



US00D744755S

(12) **United States Design Patent**  
**Reishus et al.**

(10) **Patent No.:** **US D744,755 S**  
(45) **Date of Patent:** **\*\* Dec. 8, 2015**

(54) **POWERED BRUSH HANDLE WITH BRUSH, CHARGER, AND CAP**

(71) Applicant: **L'Oréal USA Creative, Inc.**, New York, NY (US)

(72) Inventors: **Richard Allen Reishus**, Renton, WA (US); **Joel Timothy Aragon**, Snohomish, WA (US); **Suk Ping Wong**, Sammamish, WA (US); **Richard Hanks**, Seattle, WA (US); **Adam Weisgerber**, Kirkland, WA (US); **Michele Snyder**, Redmond, WA (US); **Patrick Jones**, Redmond, WA (US); **Lisa Nguyen**, Redmond, WA (US); **Joseph E. Skidmore**, Issaquah, WA (US)

(73) Assignee: **L'Oréal USA Creative, Inc.**, New York, NY (US)

(\*\*) Term: **14 Years**

(21) Appl. No.: **29/489,072**

(22) Filed: **Apr. 25, 2014**

(51) **LOC (10) Cl.** ..... **04-02**

(52) **U.S. Cl.**  
USPC ..... **D4/102**

(58) **Field of Classification Search**  
USPC ..... D4/127, 128, 130, 132-135; D24/152, D24/176; 15/167.1-167.2; 32/308-311; D13/107, 108  
CPC .. A45D 44/18; A46B 5/0095; A46B 15/0055; A46B 15/0071; A46B 15/0081; A46B 15/0087; A46B 17/04; A46B 2200/1066; A46D 1/10; A61C 15/048; A61C 17/34; A61C 17/222

See application file for complete search history.

(56) **References Cited**

U.S. PATENT DOCUMENTS

D136,952	S	*	1/1944	Getgey	.....	15/28
D226,941	S	*	5/1973	Benty et al.	.....	D28/63
D303,761	S	*	10/1989	Desgrippes	.....	D9/719
D307,216	S	*	4/1990	Yuen	.....	D32/14.1
D439,052	S	*	3/2001	Hay	.....	D4/114
D445,032	S	*	7/2001	Hammer	.....	D9/504

(Continued)

OTHER PUBLICATIONS

“Skin Optimizing Platform™,” Elizabeth Arden, Inc. marketing materials, 72nd Annual Meeting of the American Academy of Dermatology, Denver, Colorado, Mar. 21-25, 2014, 2 pages.

(Continued)

*Primary Examiner* — Keli L Hill

(74) *Attorney, Agent, or Firm* — Christensen O'Connor Johnson Kindness PLLC

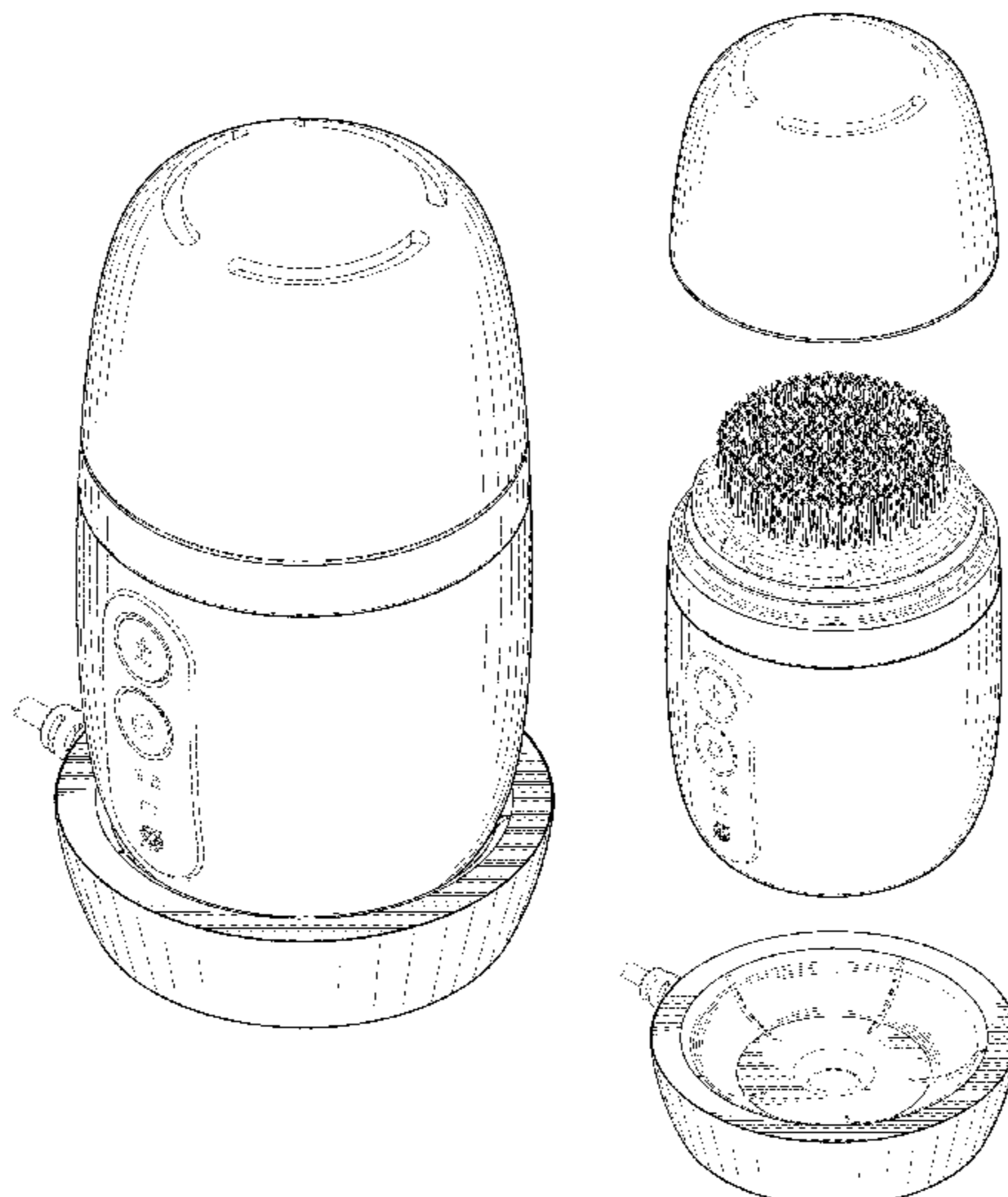
(57) **CLAIM**

The ornamental design for a powered brush handle, brush, charger, and cap, as shown and described.

**DESCRIPTION**

FIG. 1 is a top front right perspective view of a powered brush handle with brush, charger and cap, showing our new design; FIG. 2 is a front elevation view thereof; FIG. 3 is a rear elevation view thereof; FIG. 4 is a top plan view thereof; FIG. 5 is a bottom plan view thereof; FIG. 6 is a left side elevation view thereof; FIG. 7 is a right side elevation view thereof; FIG. 8 is a top front right perspective view thereof with the cap removed for convenience; and, FIG. 9 is an exploded top front right perspective view thereof. The broken lines immediately adjacent the shaded areas represent the bounds of the claimed design while all other broken lines are included for the purpose of illustrating portions of the powered brush handle with brush, charger and cap; the broken lines form no part of the claimed design.

**1 Claim, 8 Drawing Sheets**



(56)

**References Cited**

U.S. PATENT DOCUMENTS

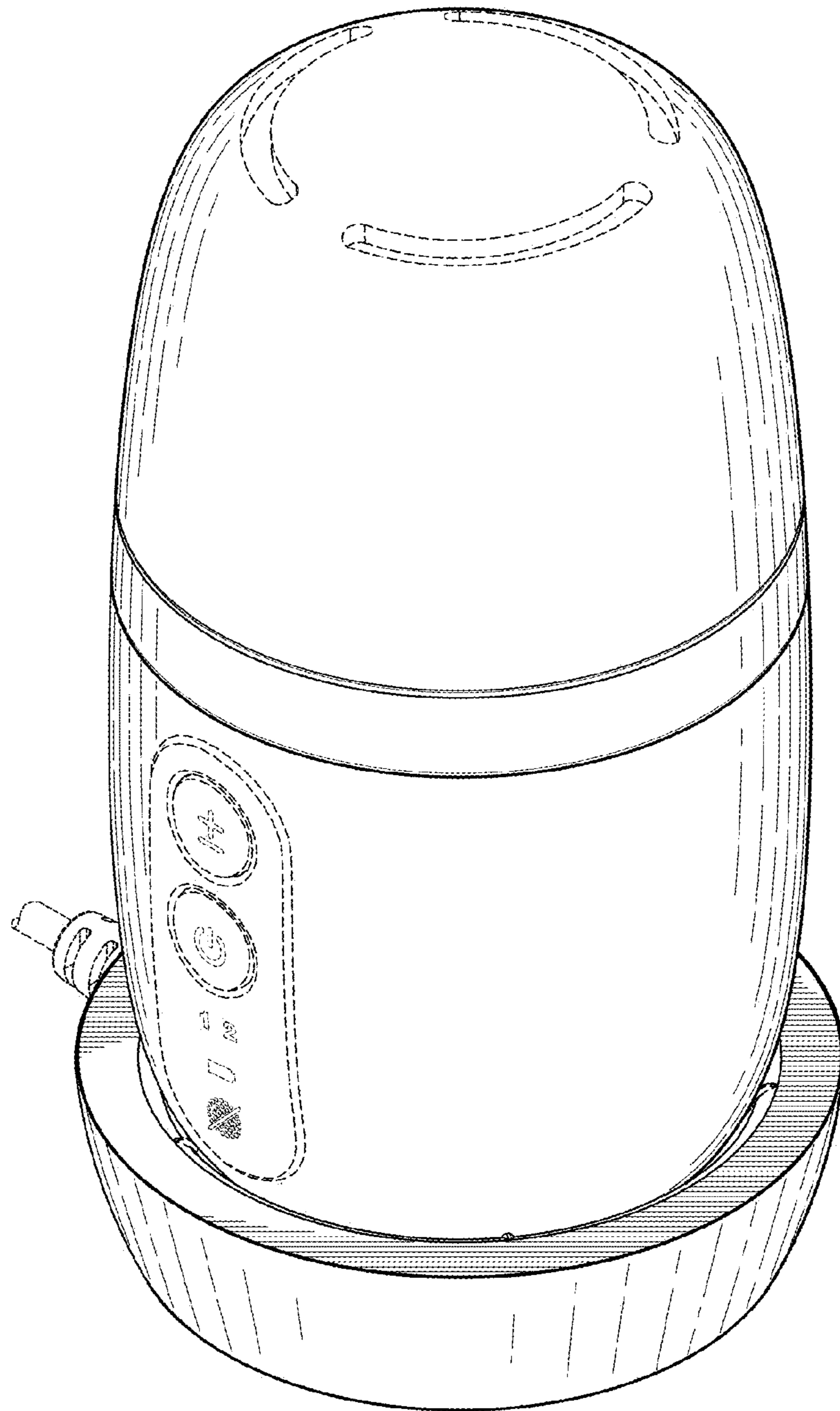
D512,567 S \* 12/2005 Eckhardt ..... D32/52  
D524,730 S \* 7/2006 Vu ..... D13/108  
D532,935 S \* 11/2006 Kostow ..... D28/76  
D539,480 S \* 3/2007 Kostow ..... D28/76  
D541,049 S \* 4/2007 Huang ..... D28/63  
D549,964 S \* 9/2007 Roth ..... D4/102  
D681,957 S \* 5/2013 Cavazos Jimenez ..... D4/127  
D715,555 S \* 10/2014 Hosler ..... D4/102  
D715,558 S \* 10/2014 Brewer ..... D4/102

D728,241 S \* 5/2015 Helmbold ..... D4/102  
D733,967 S \* 7/2015 Schlatter ..... D28/85  
D734,949 S \* 7/2015 Behnam ..... D4/127  
D735,133 S \* 7/2015 Reishus ..... D13/108

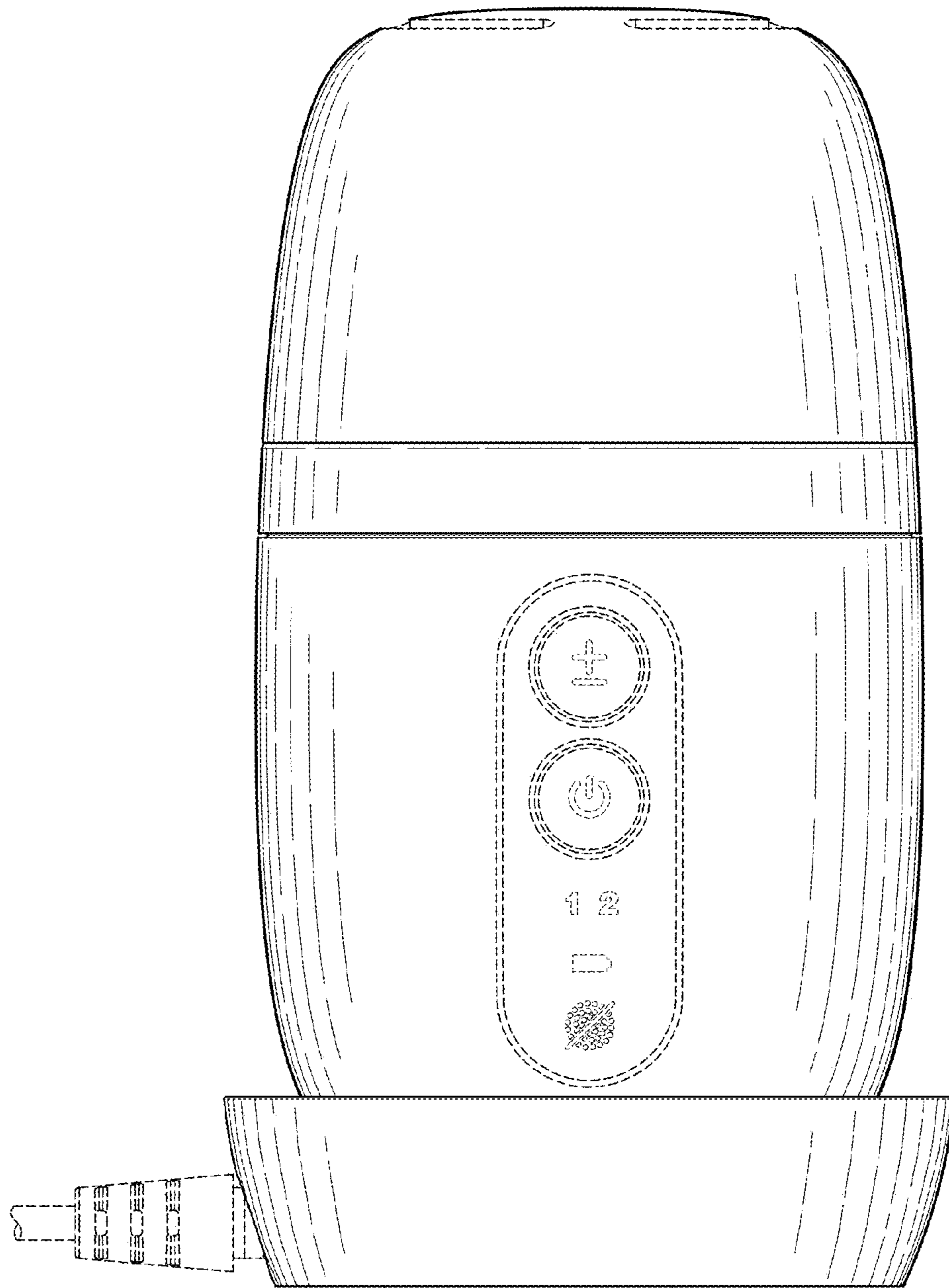
OTHER PUBLICATIONS

“NutraSonic Comet Facial Beauty Tool Set: White,” NutraLuxe MD®, Fort Myers, Fla., <<http://www.nutraluxemd.com/nutrasonic-comet-facial-beauty-tool-set-white/>>, as early as May 2009, 3 pages.

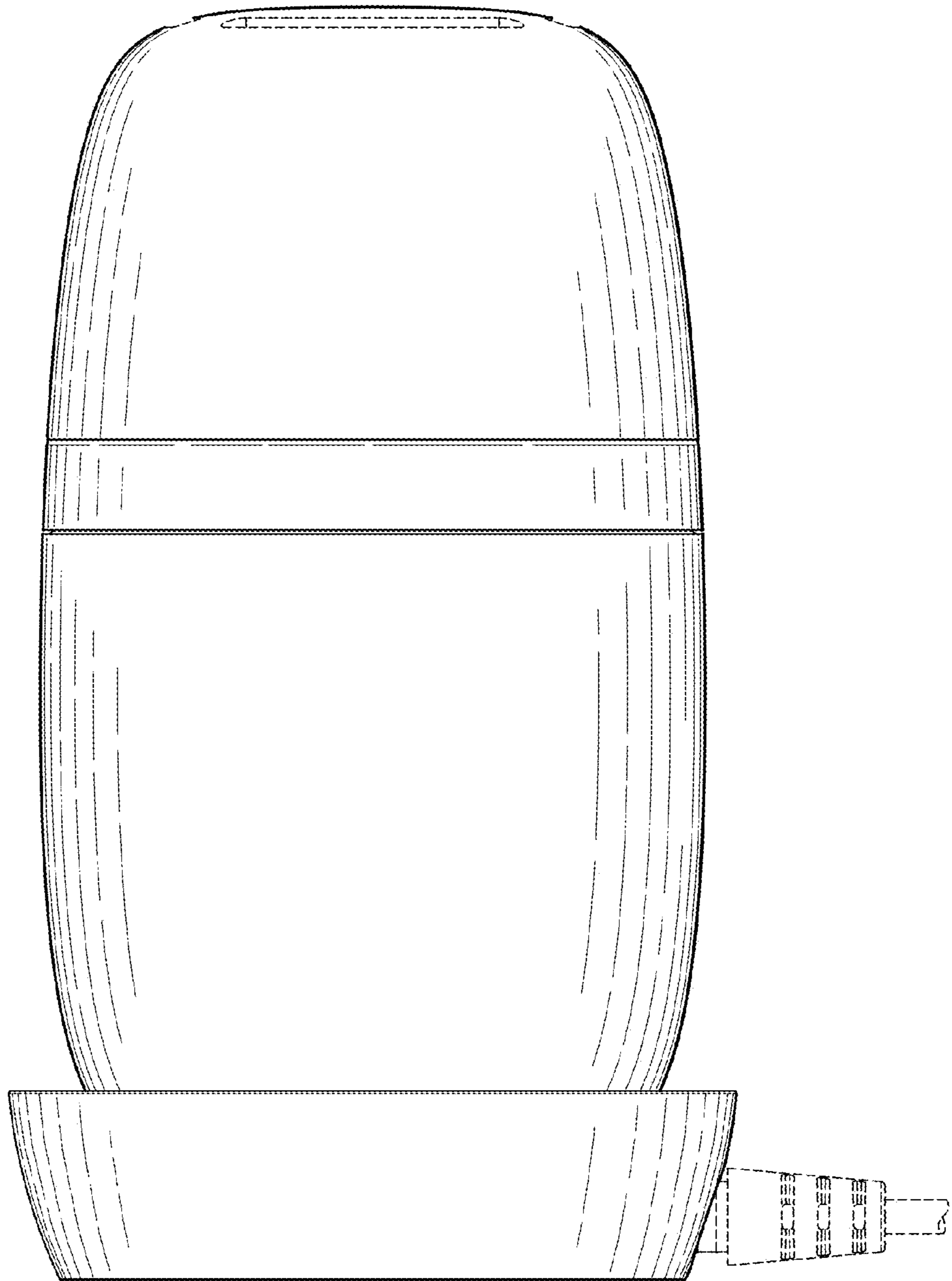
\* cited by examiner



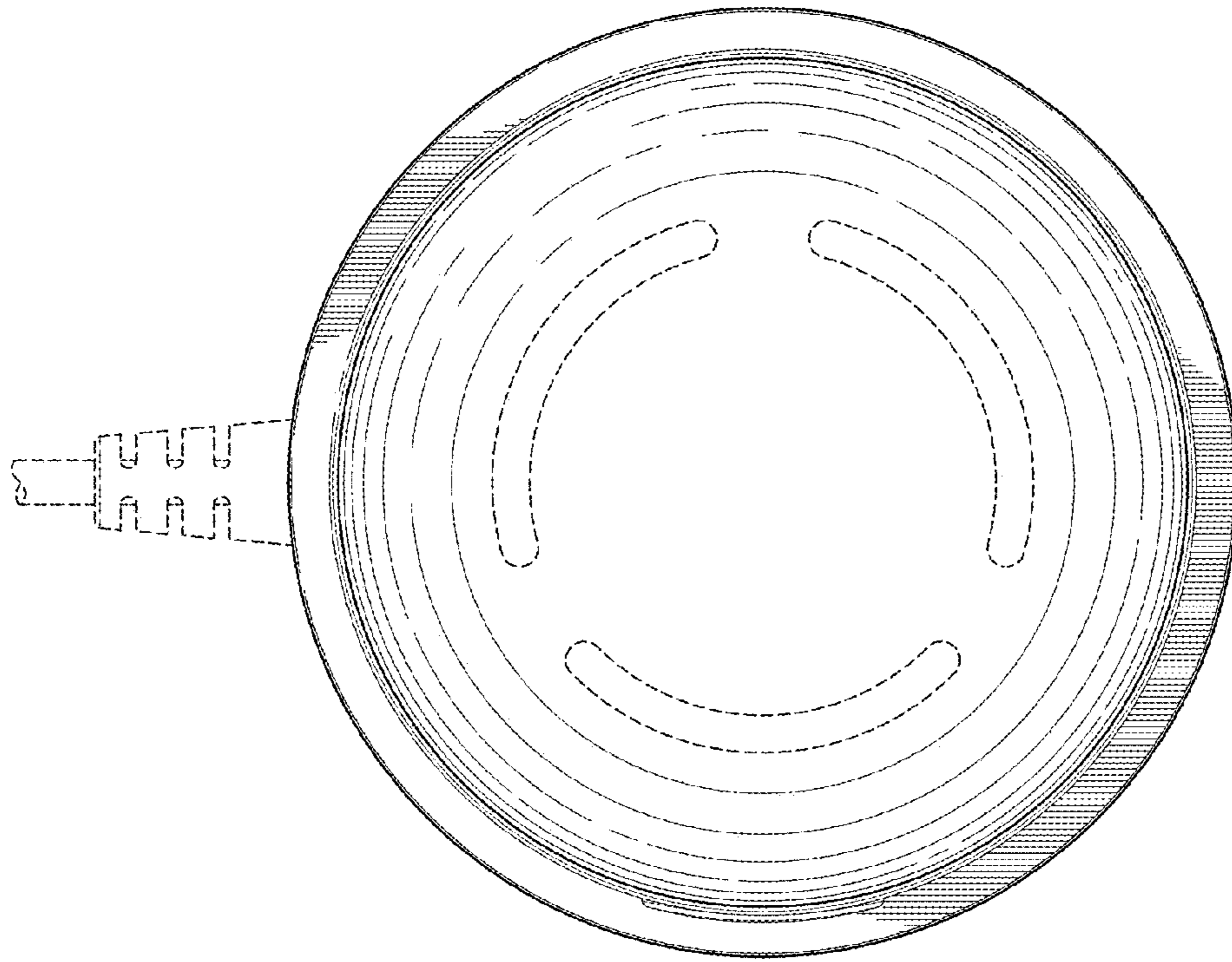
*Fig. 1.*



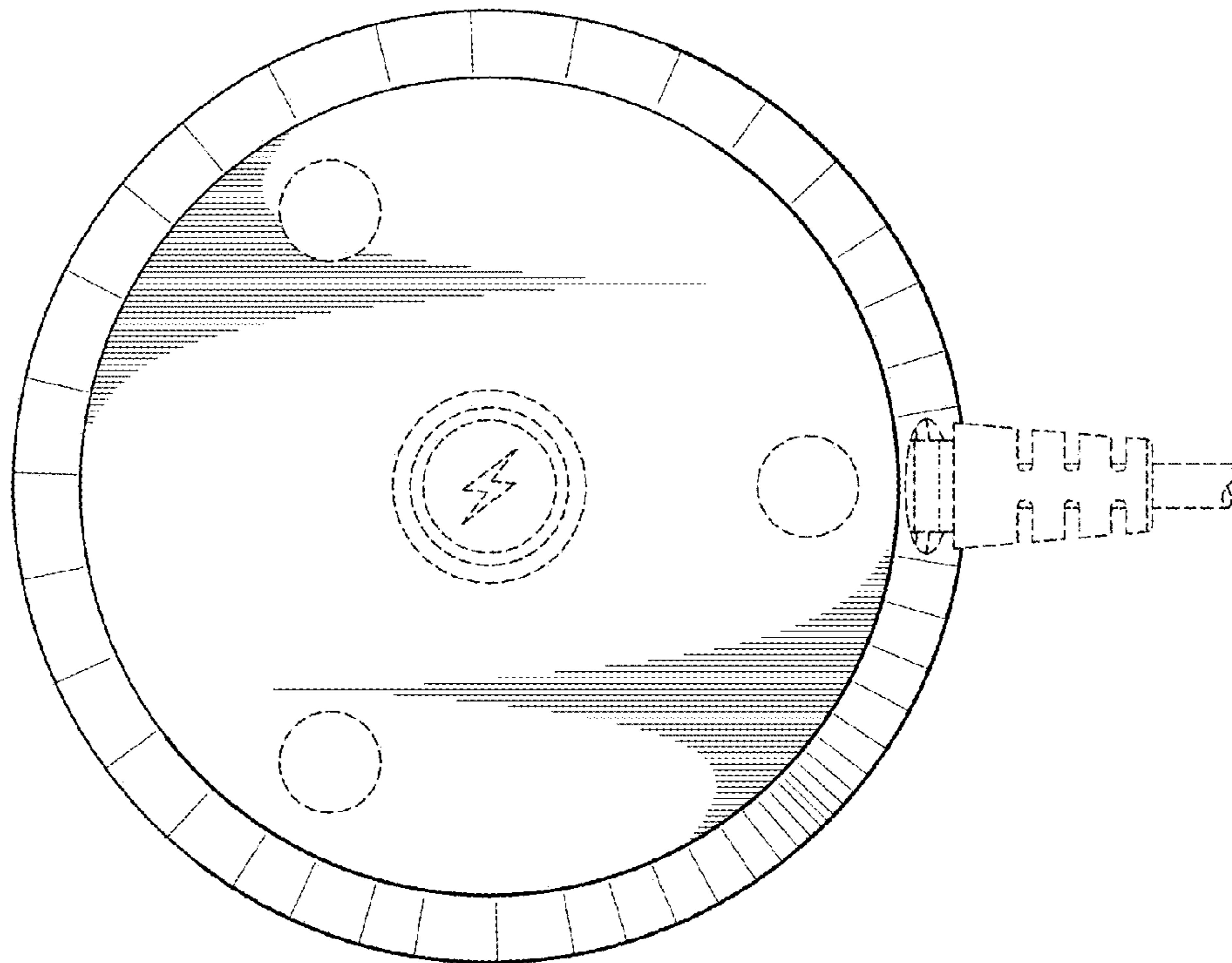
*Fig. 2.*



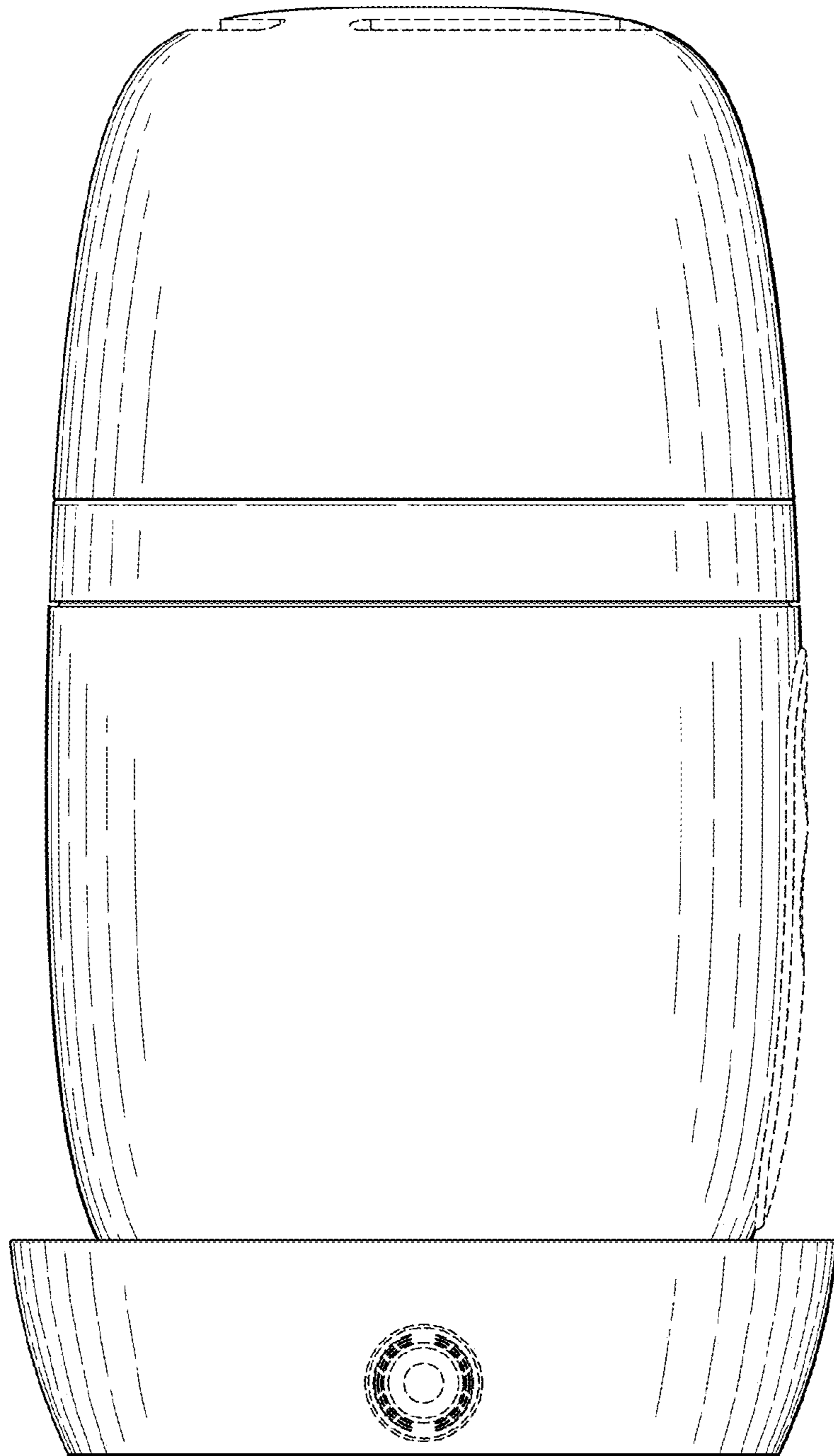
*Fig. 3.*



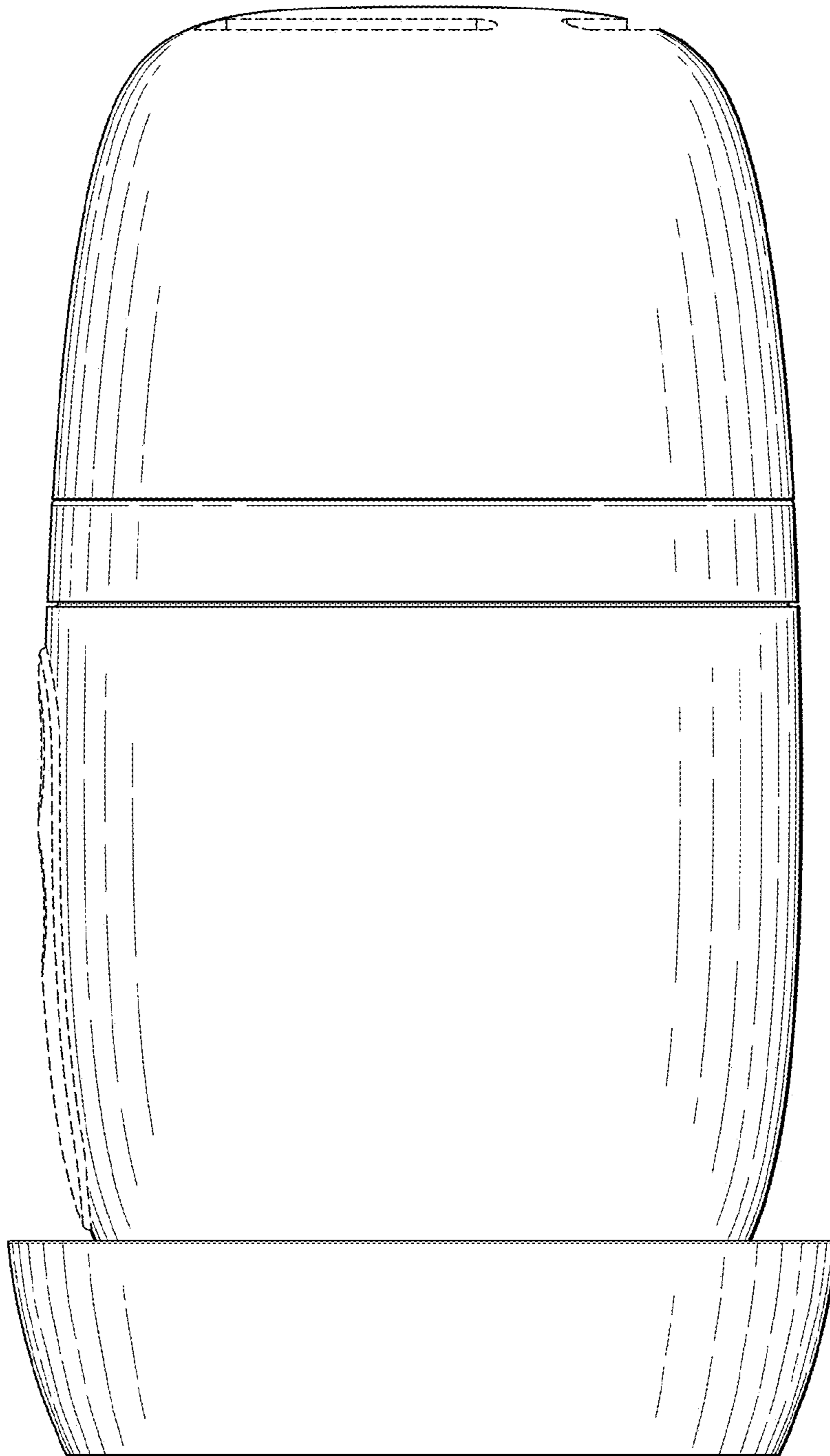
*Fig. 4.*



*Fig. 5.*

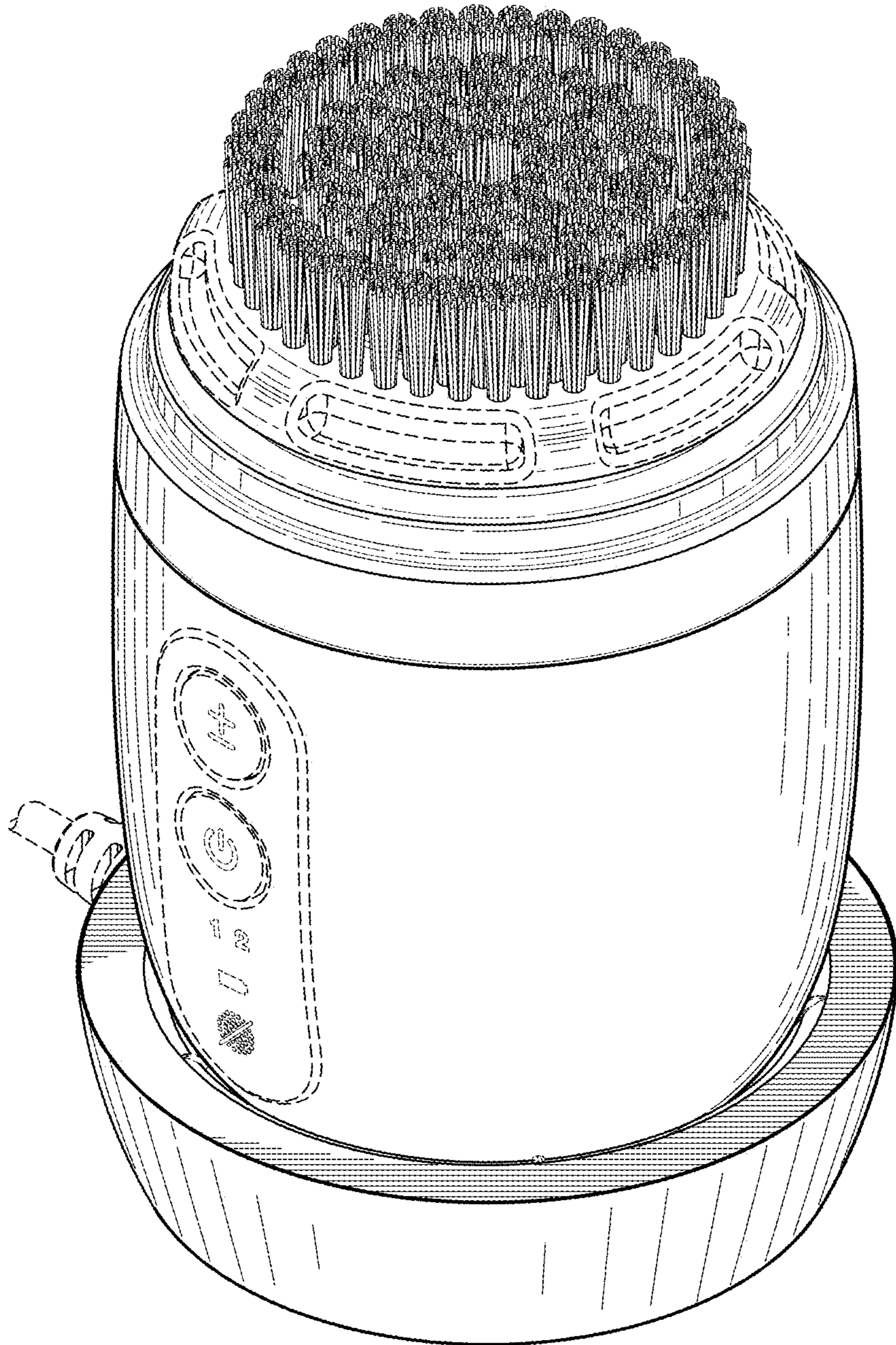


*Fig. 6.*

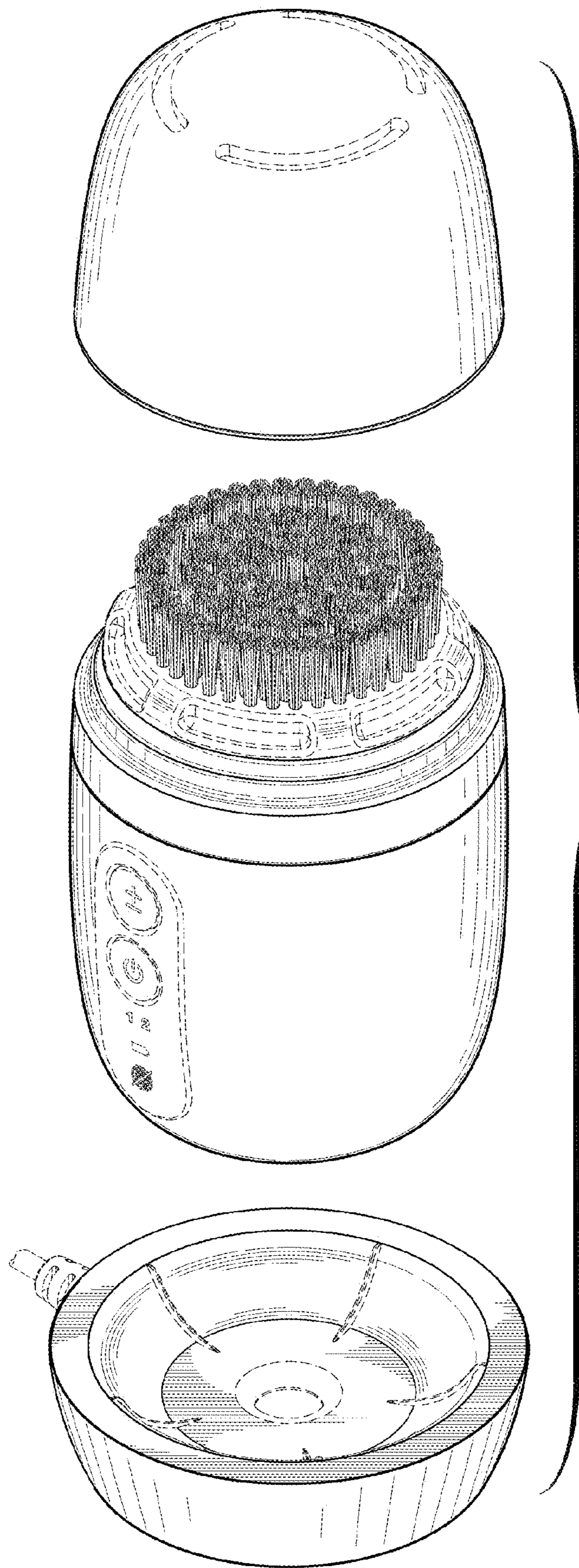


*Fig. 7.*





*Fig. 8.*



*Fig. 9.*