



US00D744752S

(12) **United States Design Patent**
Clarke

(10) **Patent No.:** **US D744,752 S**
(45) **Date of Patent:** **** Dec. 8, 2015**

(54) **CASE FOR SMALL ARTICLES**

(71) Applicant: **Raoul Clarke**, Stockbridge, GA (US)

(72) Inventor: **Raoul Clarke**, Stockbridge, GA (US)

(**) Term: **14 Years**

(21) Appl. No.: **29/491,687**

(22) Filed: **May 22, 2014**

(51) **LOC (10) Cl.** **03-01**

(52) **U.S. Cl.**
USPC **D3/282**; D3/284; D3/286; D3/294;
D3/235; D3/234

(58) **Field of Classification Search**

USPC D3/905, 276, 279–284, 291, 294, 295,
D3/298, 901, 302, 272, 273, 274, 903, 270,
D3/235, 286, 234, 238; 206/372–379, 6.1,
206/574, 575; 220/523–528; D19/106
CPC . B25H 3/02–3/028; B25H 3/00; B25H 3/003;
B25H 3/006

See application file for complete search history.

(56) **References Cited**

U.S. PATENT DOCUMENTS

D69,783 S *	3/1926	Sweeny	D28/80
D124,319 S *	12/1940	Mason	D28/80
D124,653 S *	1/1941	Kane	D28/79
6,015,064 A *	1/2000	Liu	220/524
6,026,960 A *	2/2000	Cogliano	206/575
D454,298 S *	3/2002	Davis	D9/630
D470,311 S *	2/2003	Mitchell	D3/269
D485,019 S *	1/2004	Au	D28/80
D547,947 S *	8/2007	Lo	D3/271.2
D583,557 S *	12/2008	Siegel et al.	D3/234
D584,509 S *	1/2009	Weir	D3/271.2
D637,432 S *	5/2011	Clavette et al.	D6/564

8,459,488 B2 *	6/2013	Pannier et al.	220/528
2002/0074332 A1 *	6/2002	Sagol	220/23.4
2003/0015446 A1 *	1/2003	Talbot	206/373
2005/0178693 A1 *	8/2005	Gupta	206/574
2014/0262846 A1 *	9/2014	Comstock	206/6.1

OTHER PUBLICATIONS

Tesco, "Sparkle & GLitz Butterfly Bead, Jewellery Craft Kit", Accessed Jan. 7, 2015. <<http://www.tesco.com/direct/sparkle-glitz-butterfly-bead-jewellery-craft-kit/201-3784.prd>>.*

* cited by examiner

Primary Examiner — Jennifer Rivard

Assistant Examiner — April Rivas

(74) *Attorney, Agent, or Firm* — Michael J. Bootcheck, LLC

(57) **CLAIM**

The ornamental design for a case for small articles, as shown and described.

DESCRIPTION

FIG. 1 is a perspective view of the case for small articles lying flat;

FIG. 2 is a perspective view of the case for small articles in an upright position;

FIG. 3 is a front perspective view of the case for small articles in an open configuration;

FIG. 4 is a back perspective view of the case for small articles in an open configuration;

FIG. 5 is a front view thereof;

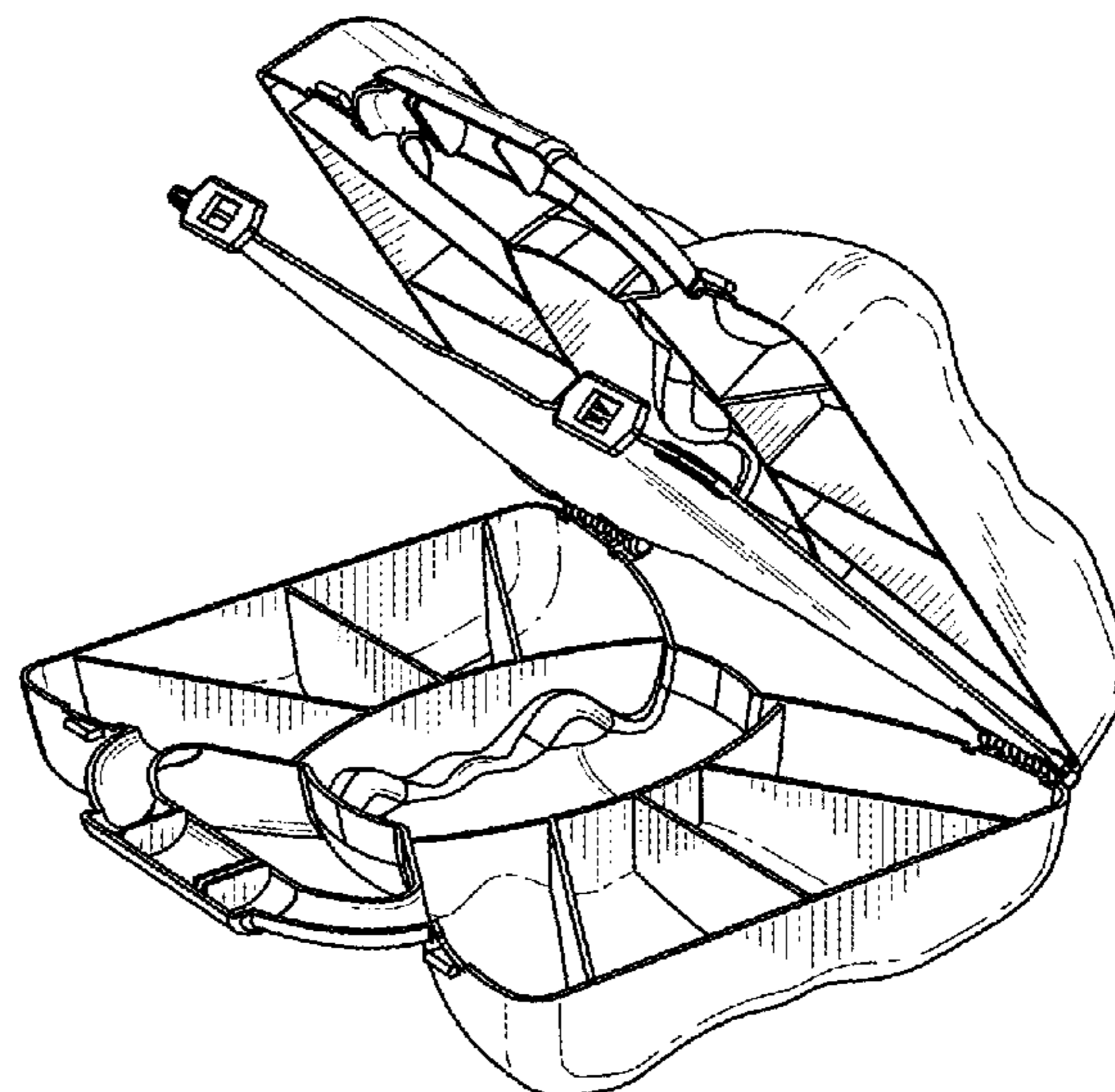
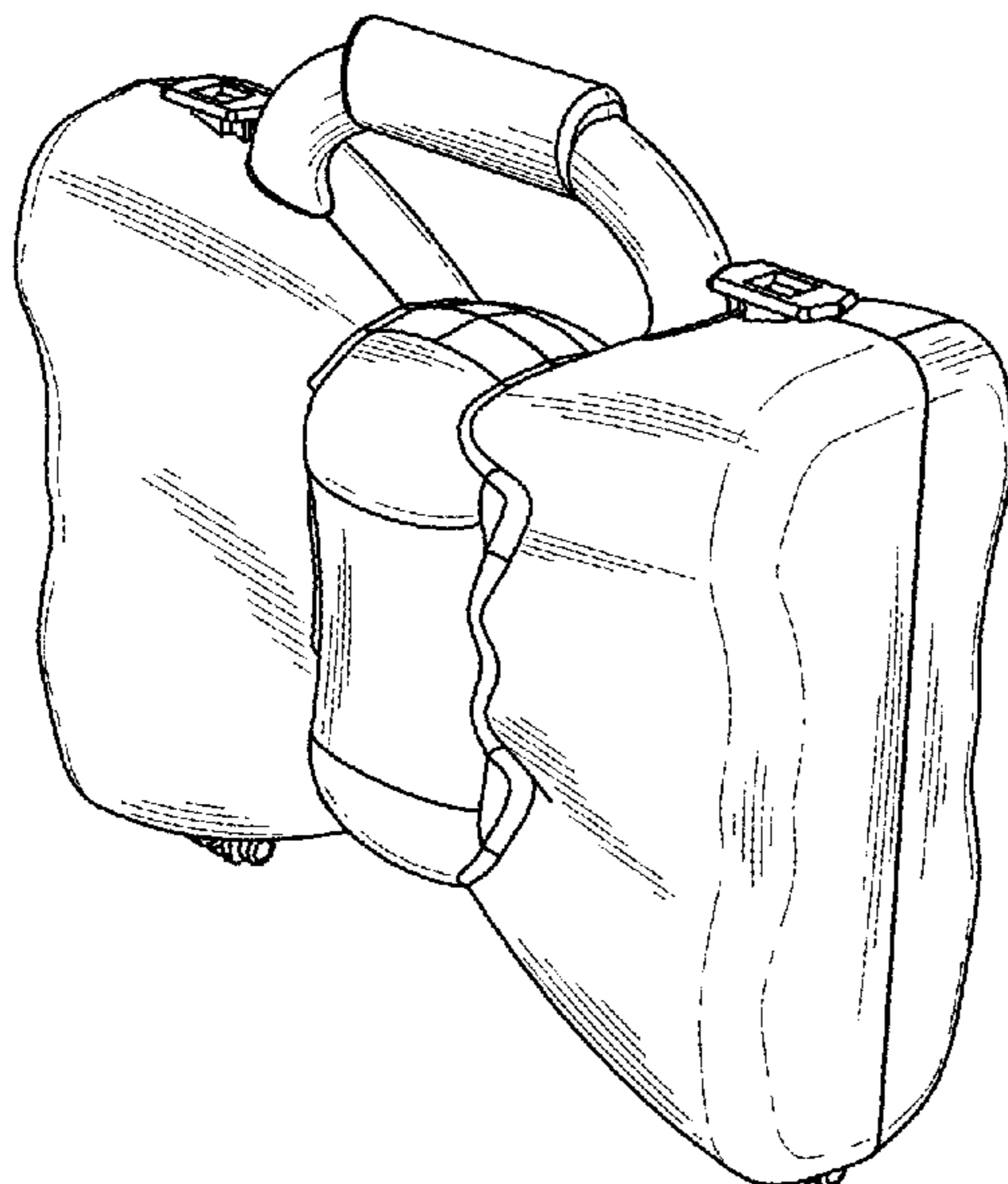
FIG. 6 is a side view thereof;

FIG. 7 is the opposite side view thereof;

FIG. 8 is a bottom view thereof; and,

FIG. 9 is a top view thereof.

1 Claim, 4 Drawing Sheets



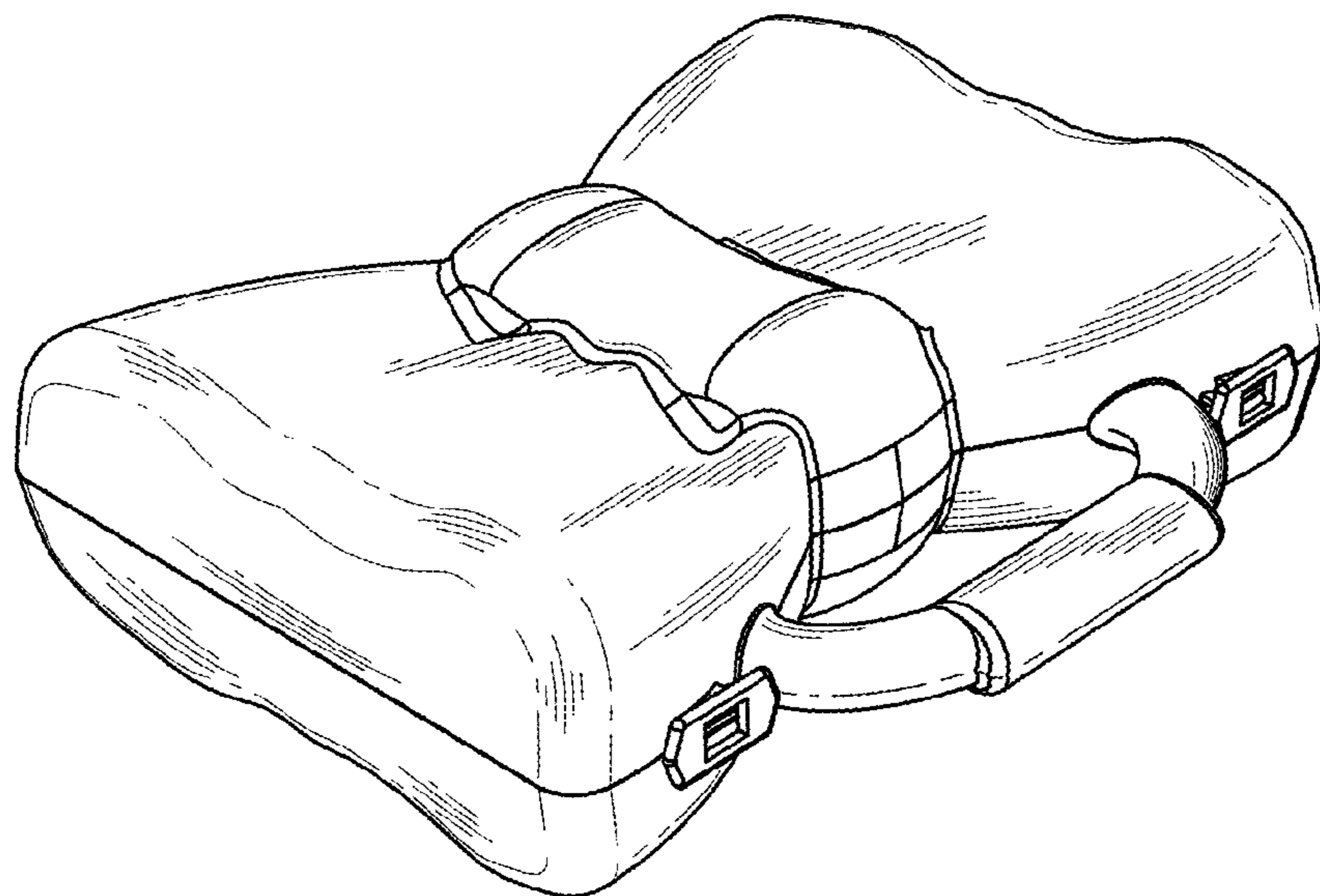


FIG. 1

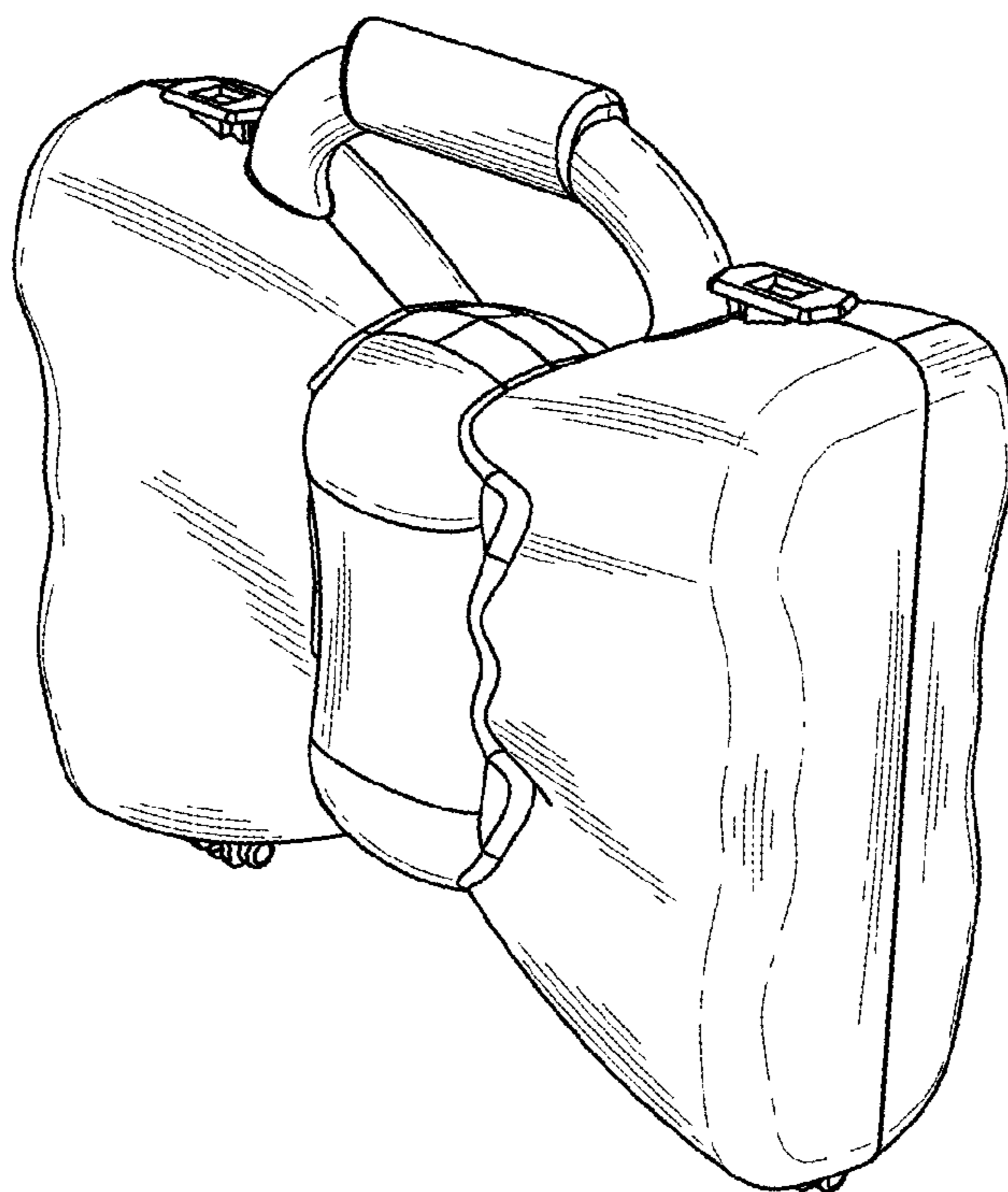


FIG. 2

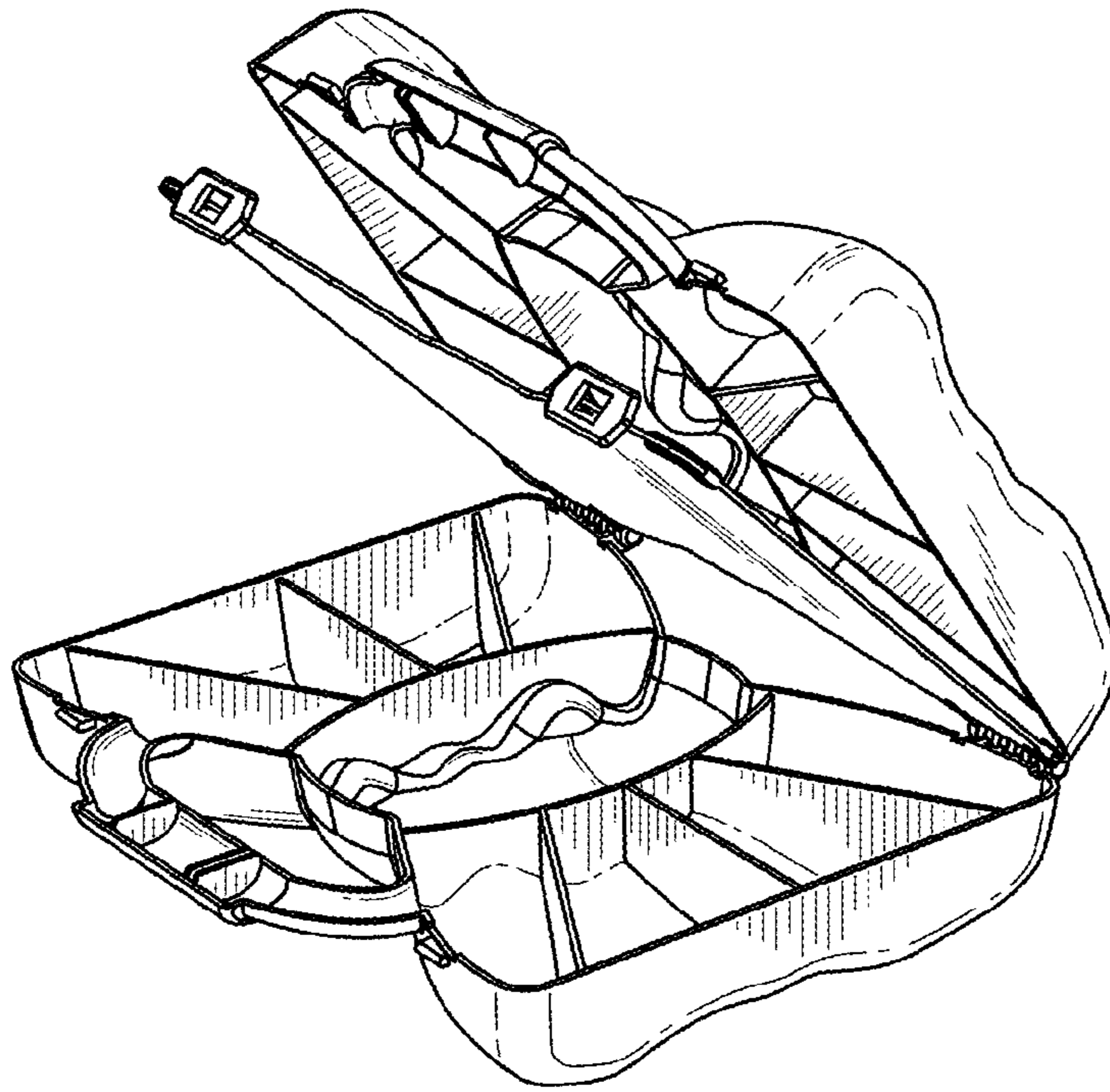


FIG. 3



FIG. 4

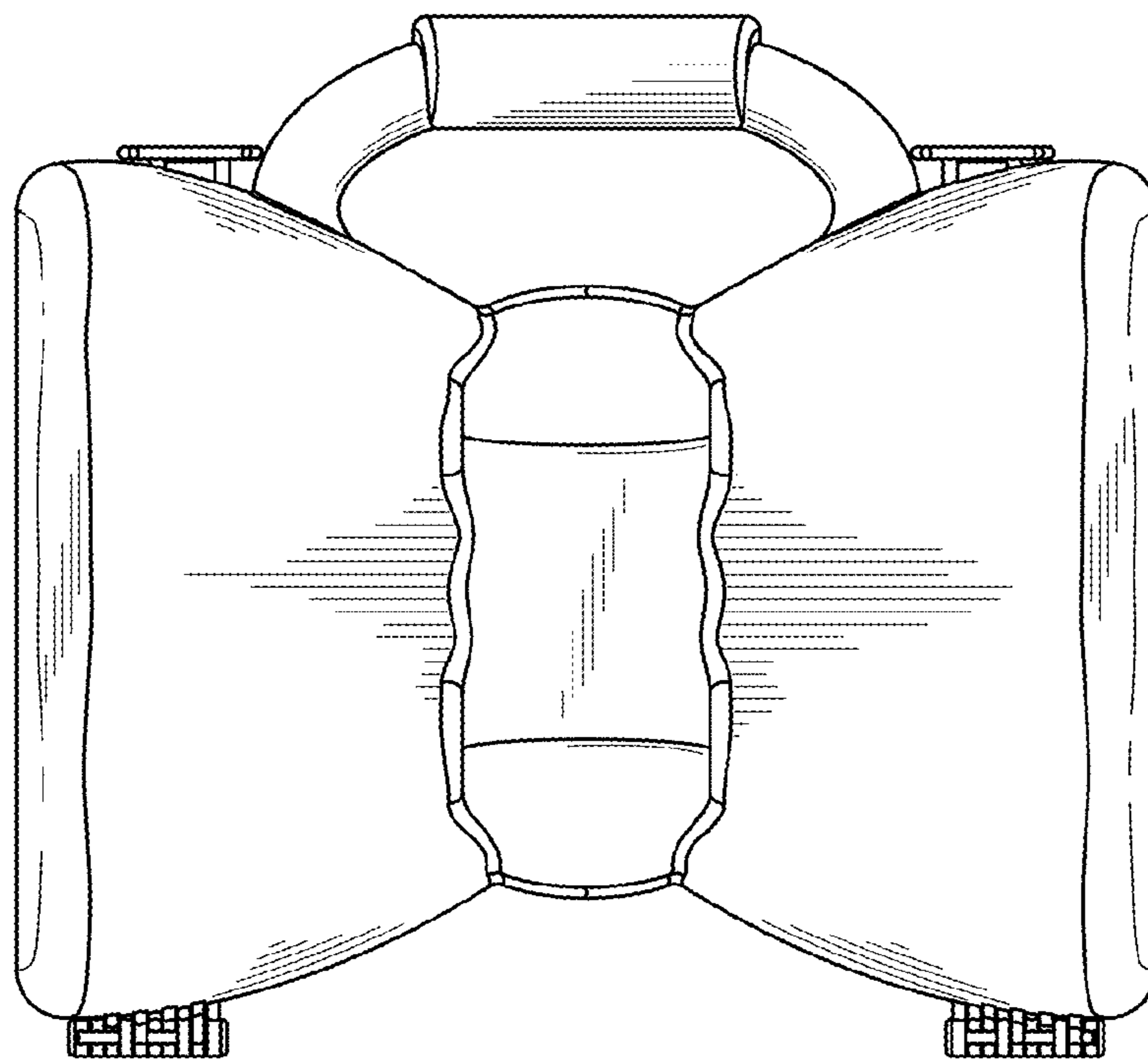


FIG. 5

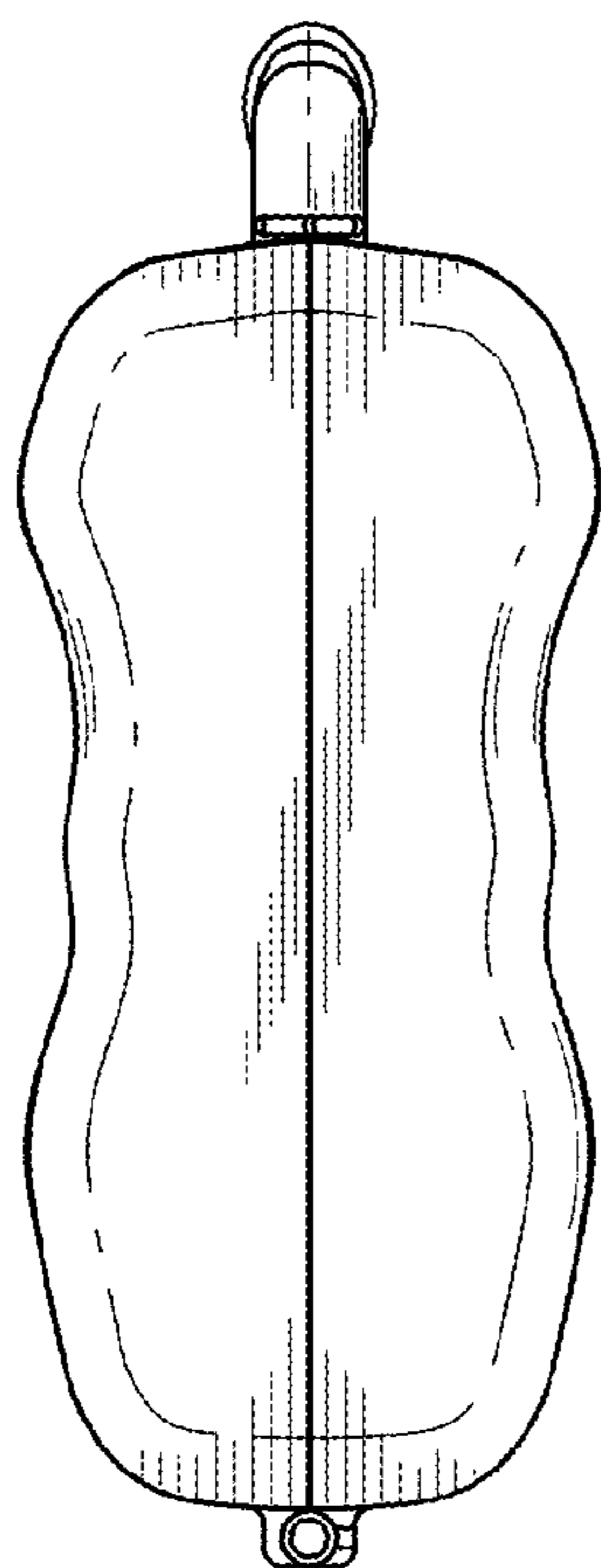


FIG. 6

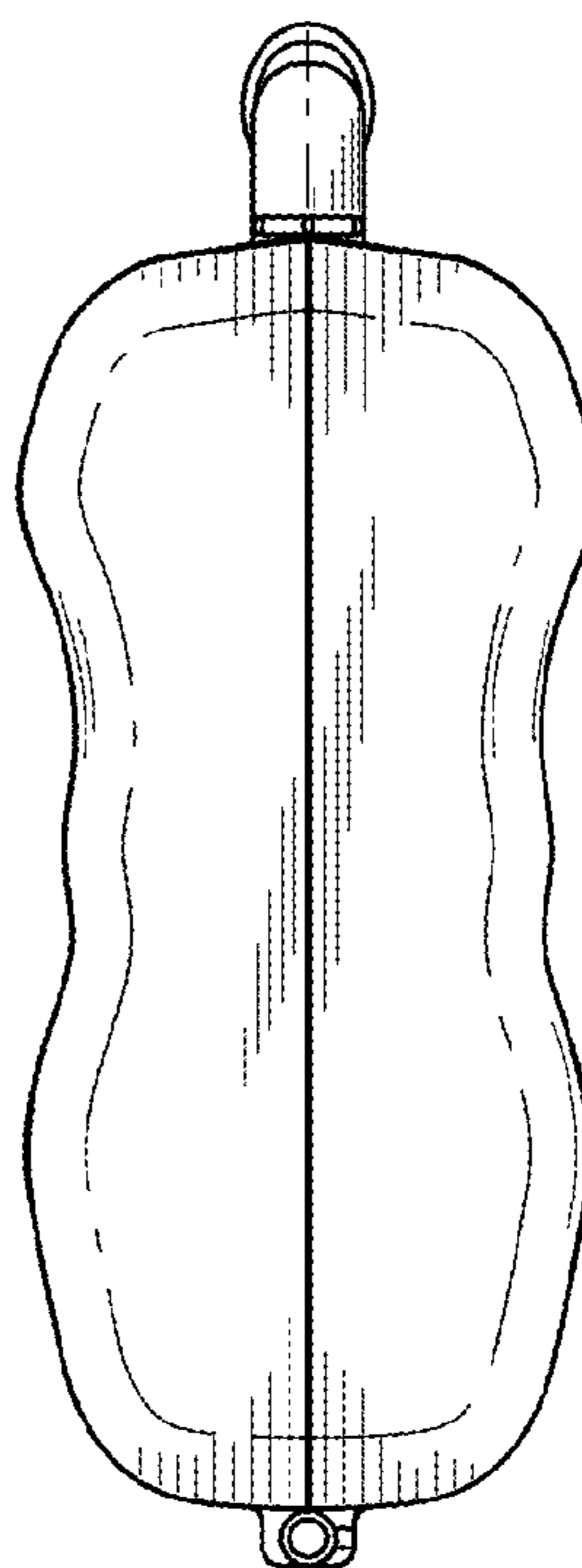


FIG. 7

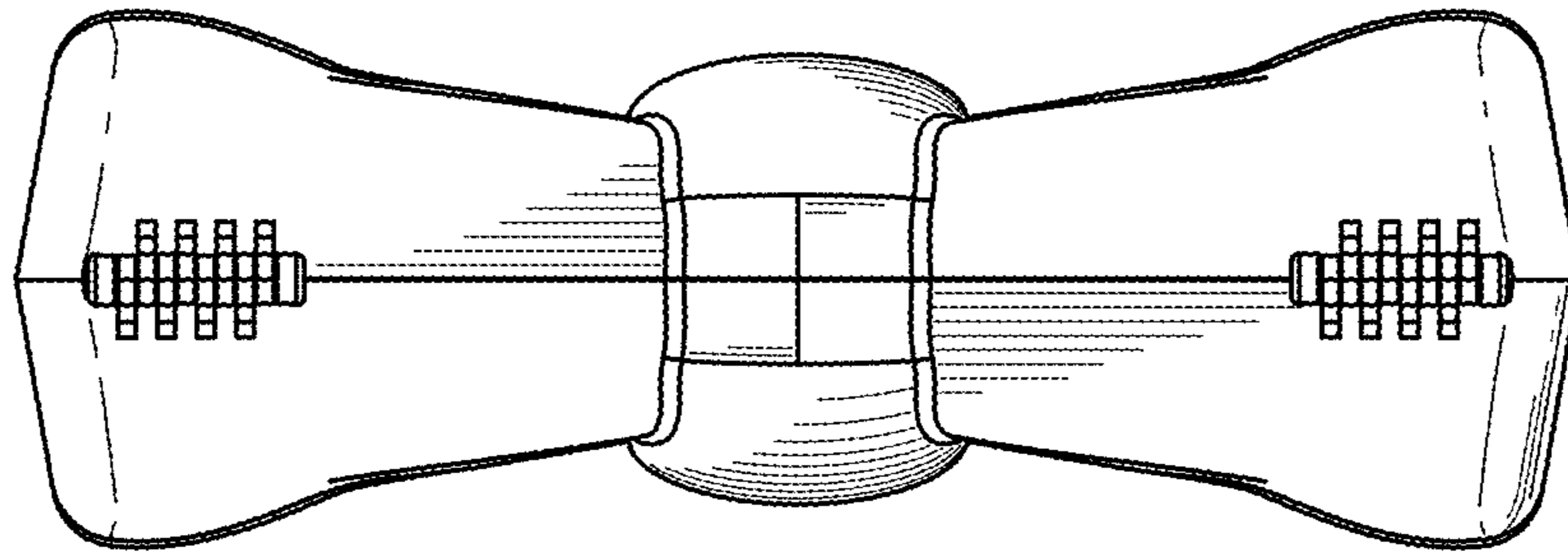


FIG. 8

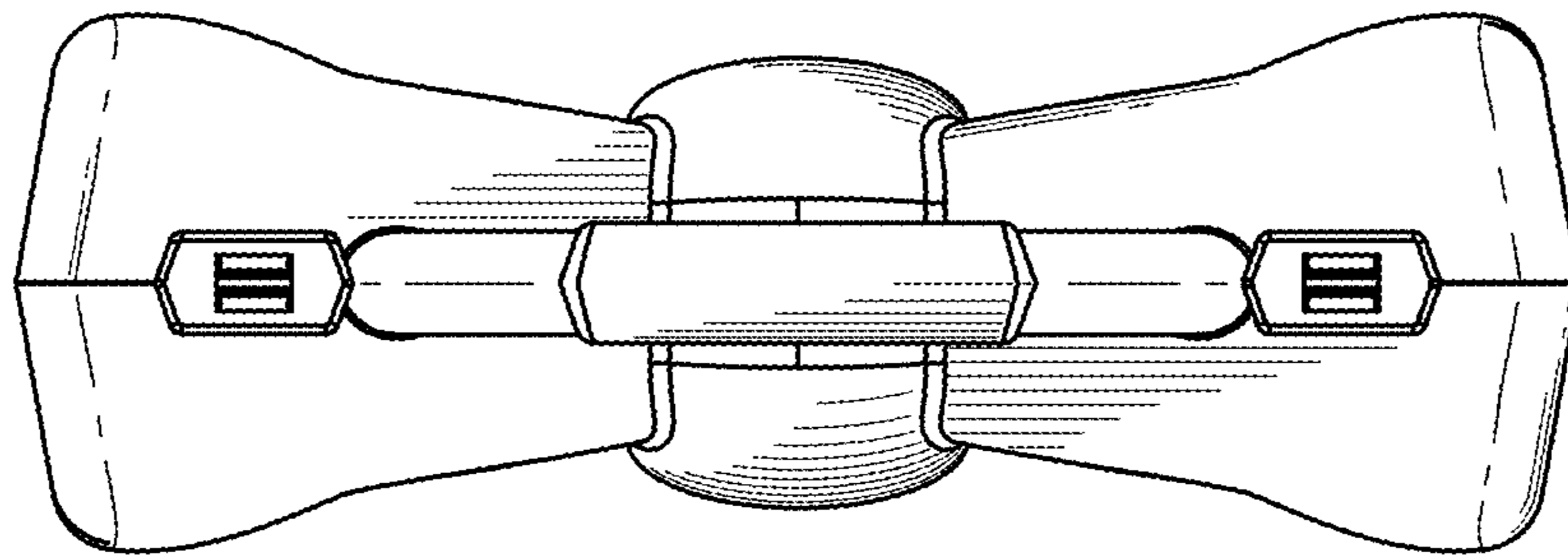


FIG. 9