



US00D744750S

(12) **United States Design Patent**
Sabbag et al.

(10) **Patent No.:** **US D744,750 S**
(45) **Date of Patent:** **** Dec. 8, 2015**

(54) **TOOL BOX**

(71) Applicant: **THE STANLEY WORKS ISRAEL LTD.**, Rosh Ha' Ayin (IL)

(72) Inventors: **Yosi Sabbag**, Holon (IL); **Michael Menirom**, Raanana (IL)

(73) Assignee: **The Stanley Works Israel Ltd.**, Rosh Ha' Ayin (IL)

(**) Term: **14 Years**

(21) Appl. No.: **29/452,416**

(22) Filed: **Apr. 16, 2013**

(30) **Foreign Application Priority Data**

Oct. 17, 2012 (EM) 001347454

(51) **LOC (10) Cl.** **03-01**

(52) **U.S. Cl.**
USPC **D3/281; D3/294; D3/905**

(58) **Field of Classification Search**
USPC D3/905, 276, 279-284, 291, 294, 295,
D3/298, 901, 302, 272, 273, 274, 903;
206/372-279; 220/523-528
CPC . B25H 3/02-3/028; B25H 3/00; B25H 3/003;
B25H 3/006
See application file for complete search history.

(56) **References Cited**

U.S. PATENT DOCUMENTS

5,238,142 A * 8/1993 Hanna et al. 220/772
D493,034 S * 7/2004 Bar-Erez D3/295

D600,912 S *	9/2009	Brunner	D3/291
D629,607 S *	12/2010	Sabbag et al.	D3/282
D639,055 S *	6/2011	Fraiman et al.	D3/276
D668,048 S *	10/2012	Vilkomirski et al.	D3/281
D674,605 S *	1/2013	Vilkomirski et al.	D3/281
D700,777 S *	3/2014	Shitrit et al.	D3/281
D703,436 S *	4/2014	Sabbag et al.	D3/281
D709,697 S *	7/2014	Brunner	D3/281
D718,934 S *	12/2014	Lin	D3/281
D721,492 S *	1/2015	Horovitz et al.	D3/282
D724,842 S *	3/2015	Whalen	D3/294
2011/0181008 A1 *	7/2011	Bensman et al.	280/47.26
2014/0102928 A1 *	4/2014	Sabbag et al.	206/372

* cited by examiner

Primary Examiner — Jennifer Rivard

Assistant Examiner — April Rivas

(74) *Attorney, Agent, or Firm* — Gabriel A. Haboubi

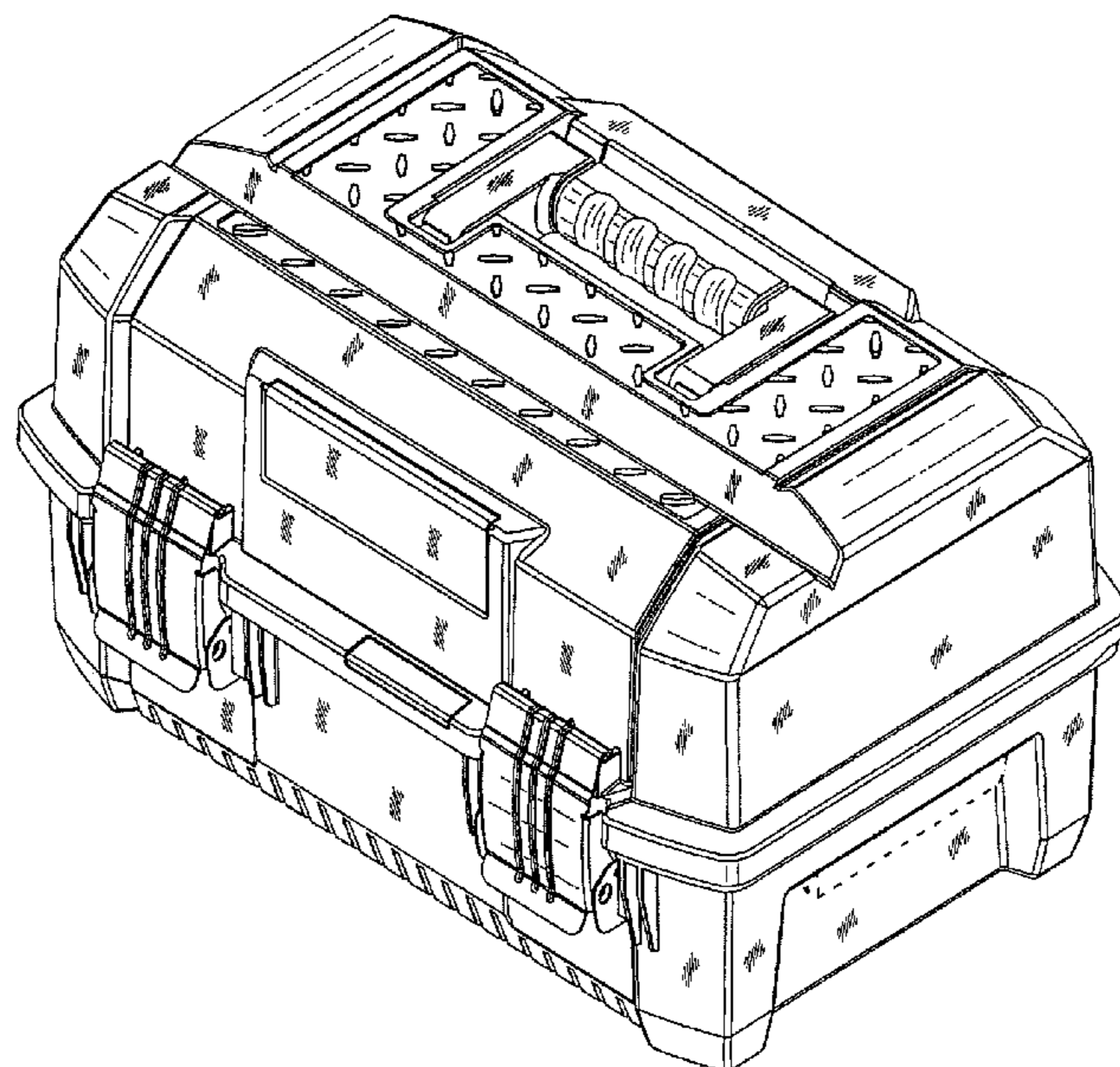
(57) **CLAIM**

The ornamental design for a tool box, as shown and described.

DESCRIPTION

FIG. 1 is a right front perspective view of our new design.
FIG. 2 is a front view thereof.
FIG. 3 is a rear view thereof.
FIG. 4 is a left side view thereof.
FIG. 5 is a right side view thereof.
FIG. 6 is a top view thereof; and,
FIG. 7 is a bottom view thereof.
The broken lines illustrate portions of the tool box and form no part of the claimed design.

1 Claim, 7 Drawing Sheets



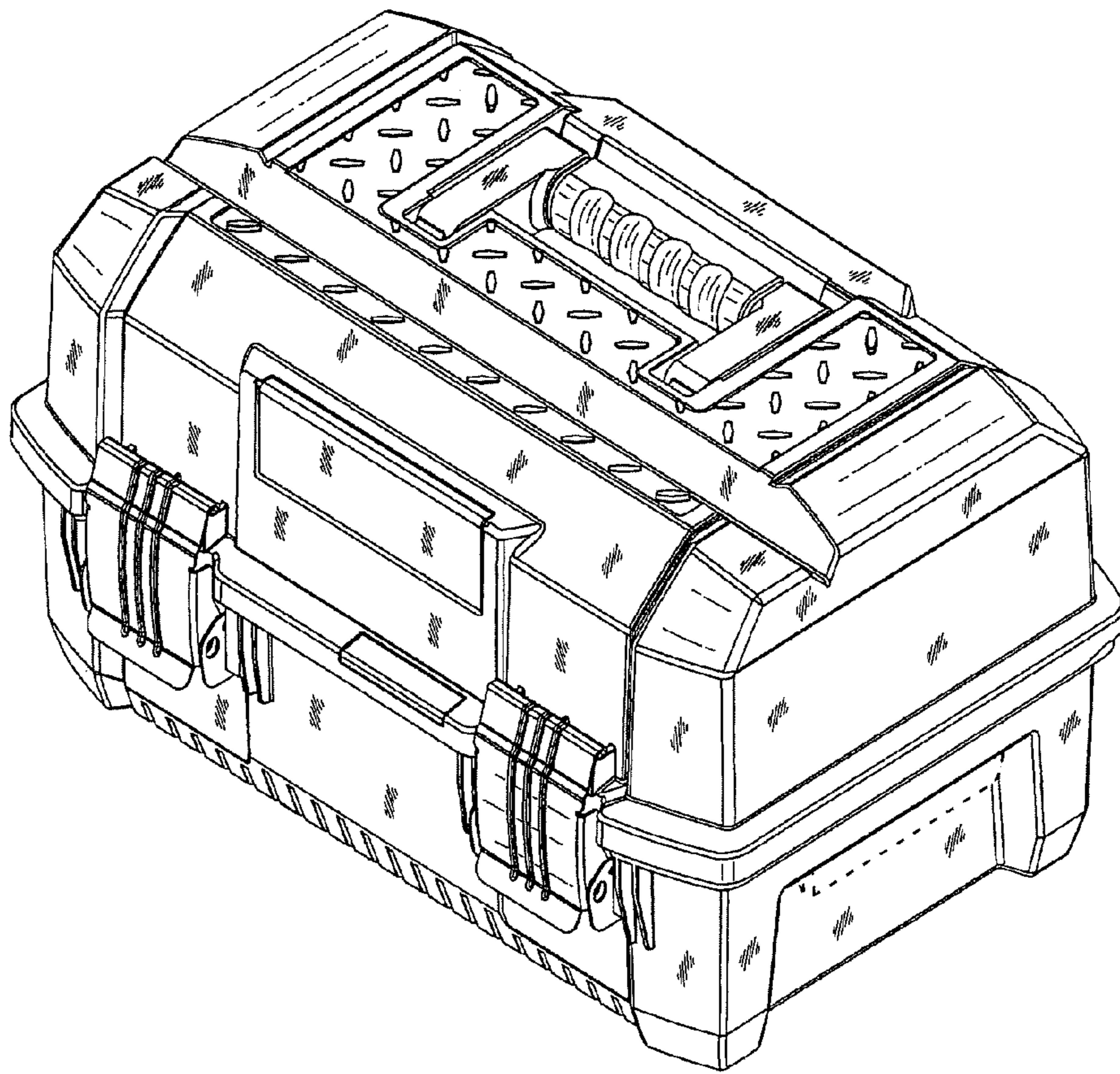


FIG.1

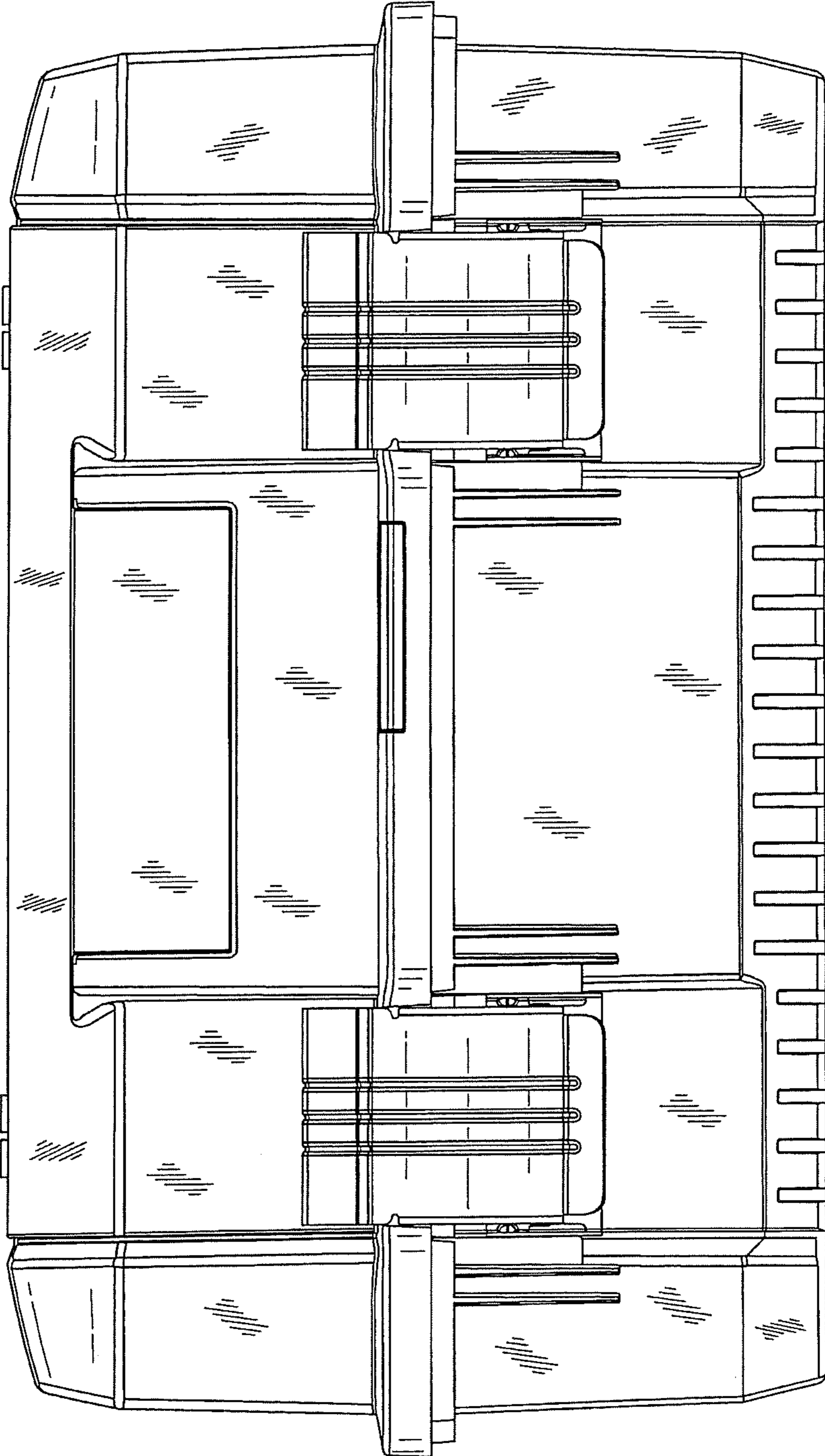


FIG.2

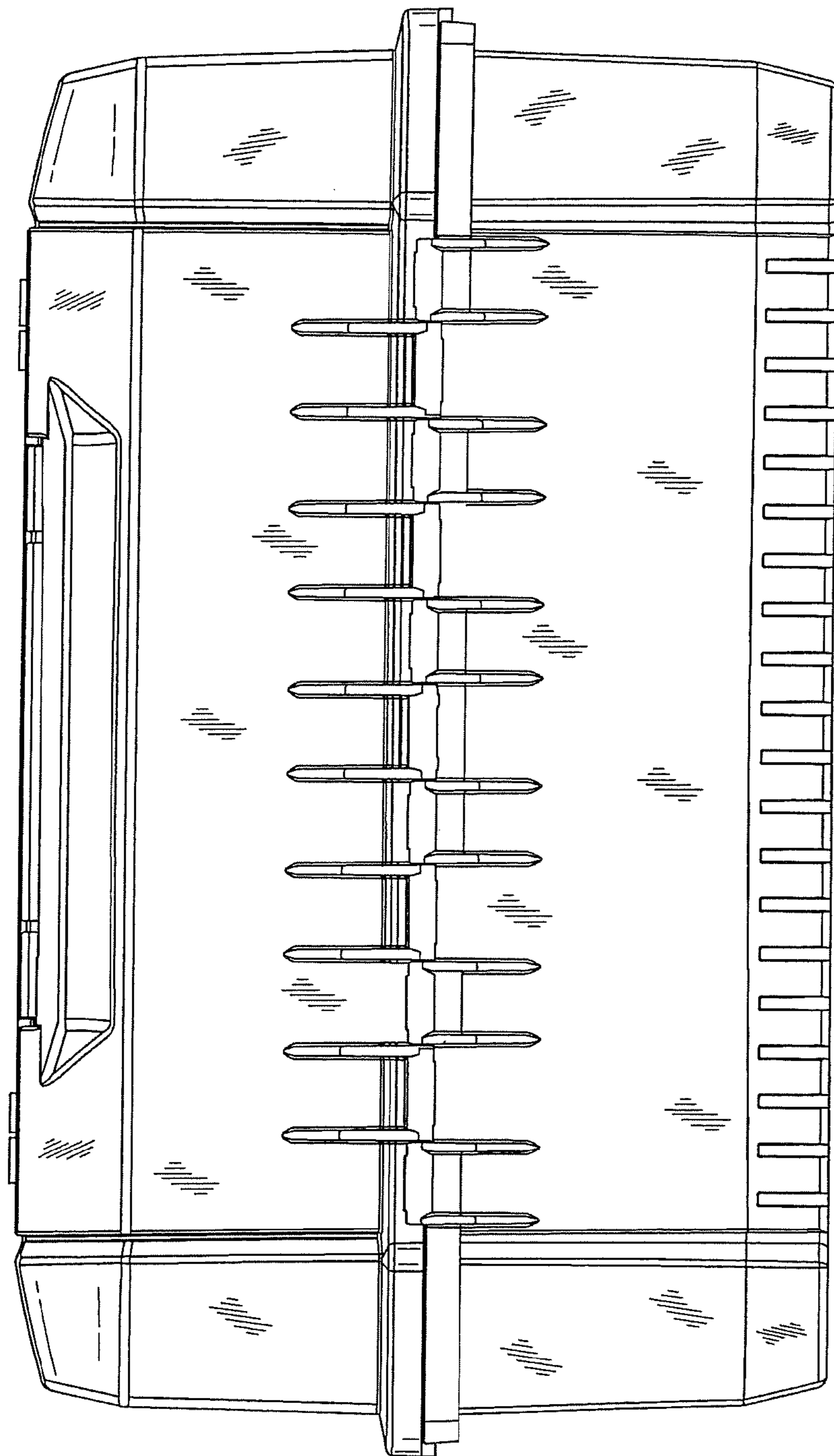


FIG.3

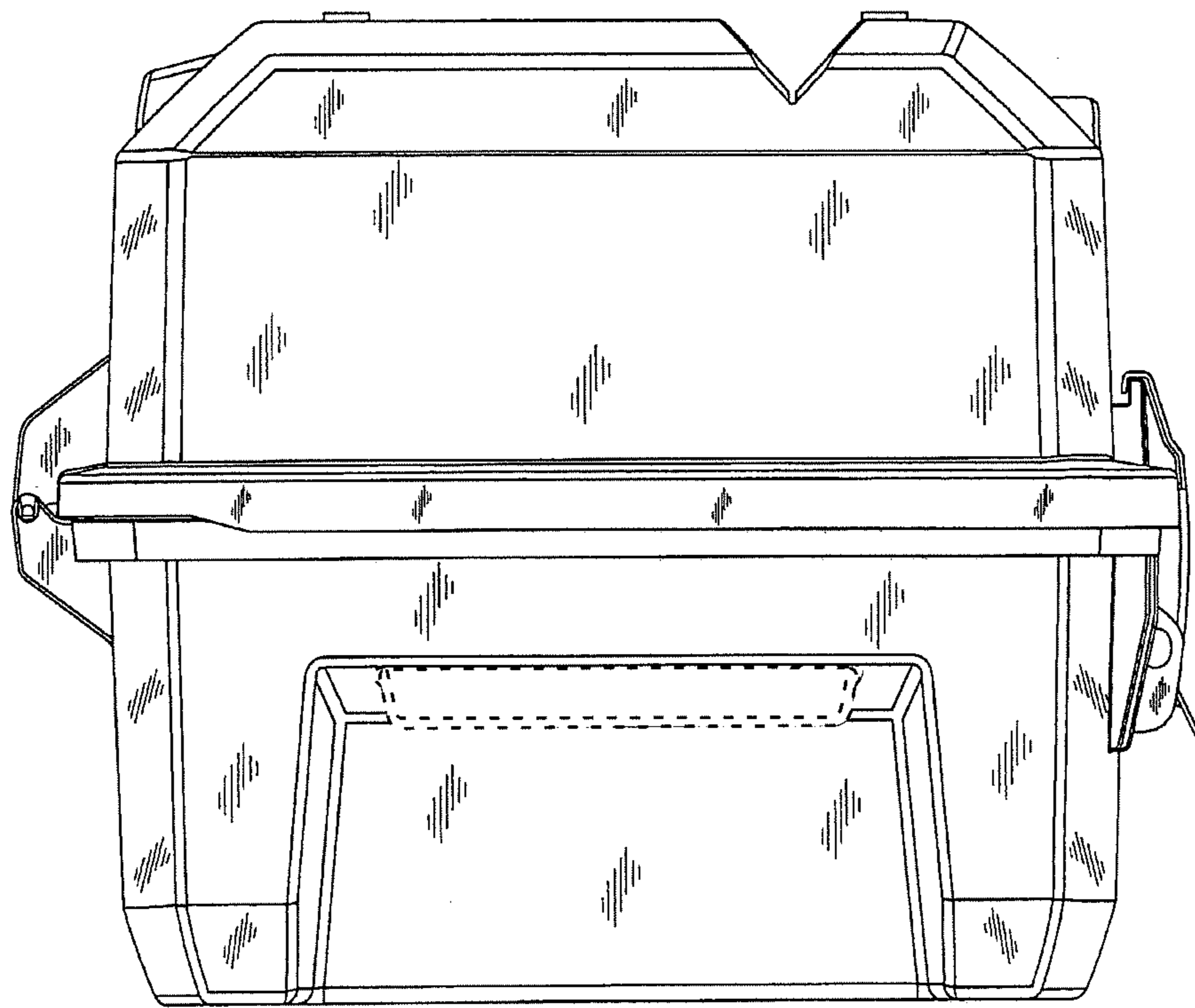


FIG. 4

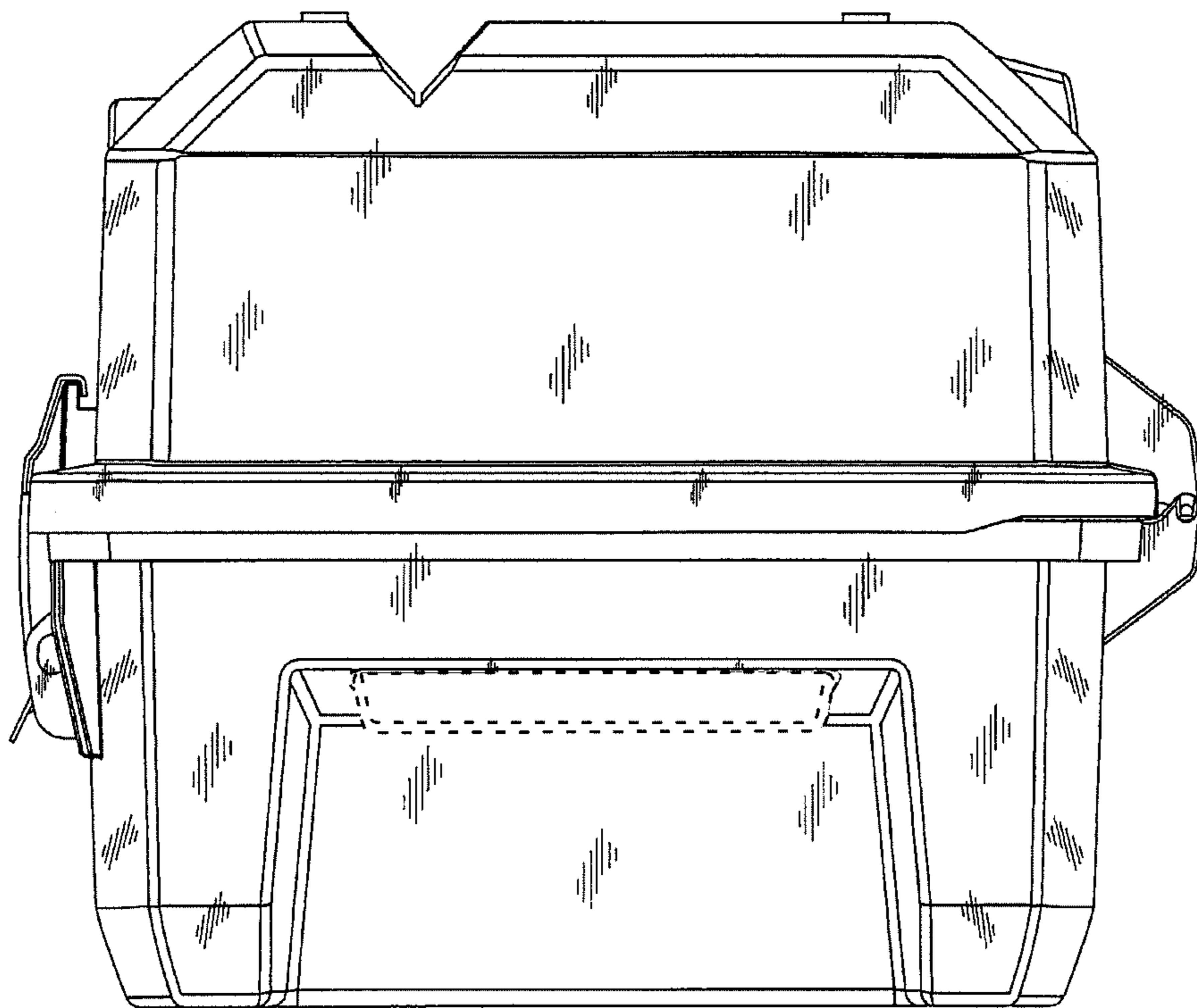


FIG.5

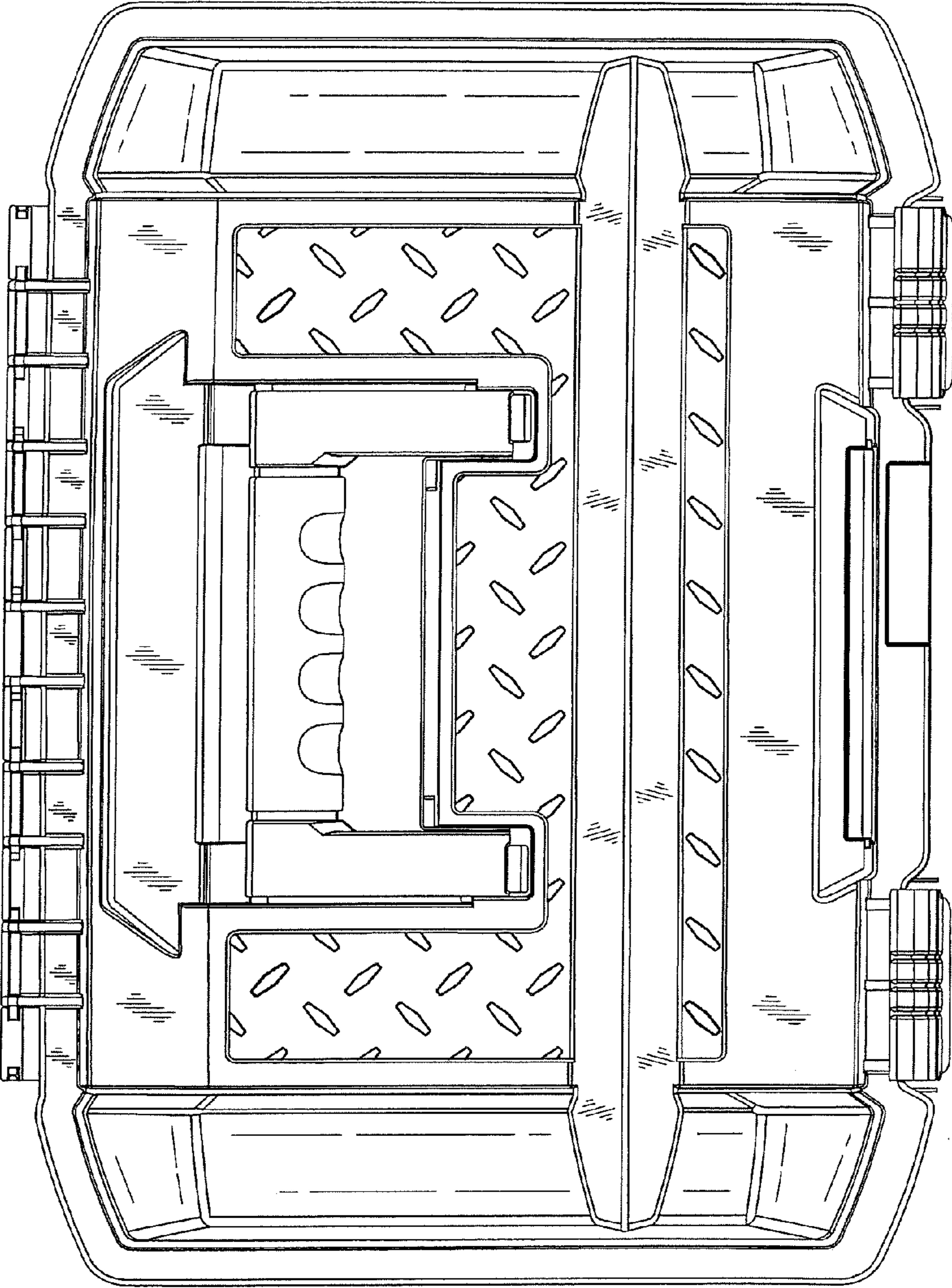


FIG.6

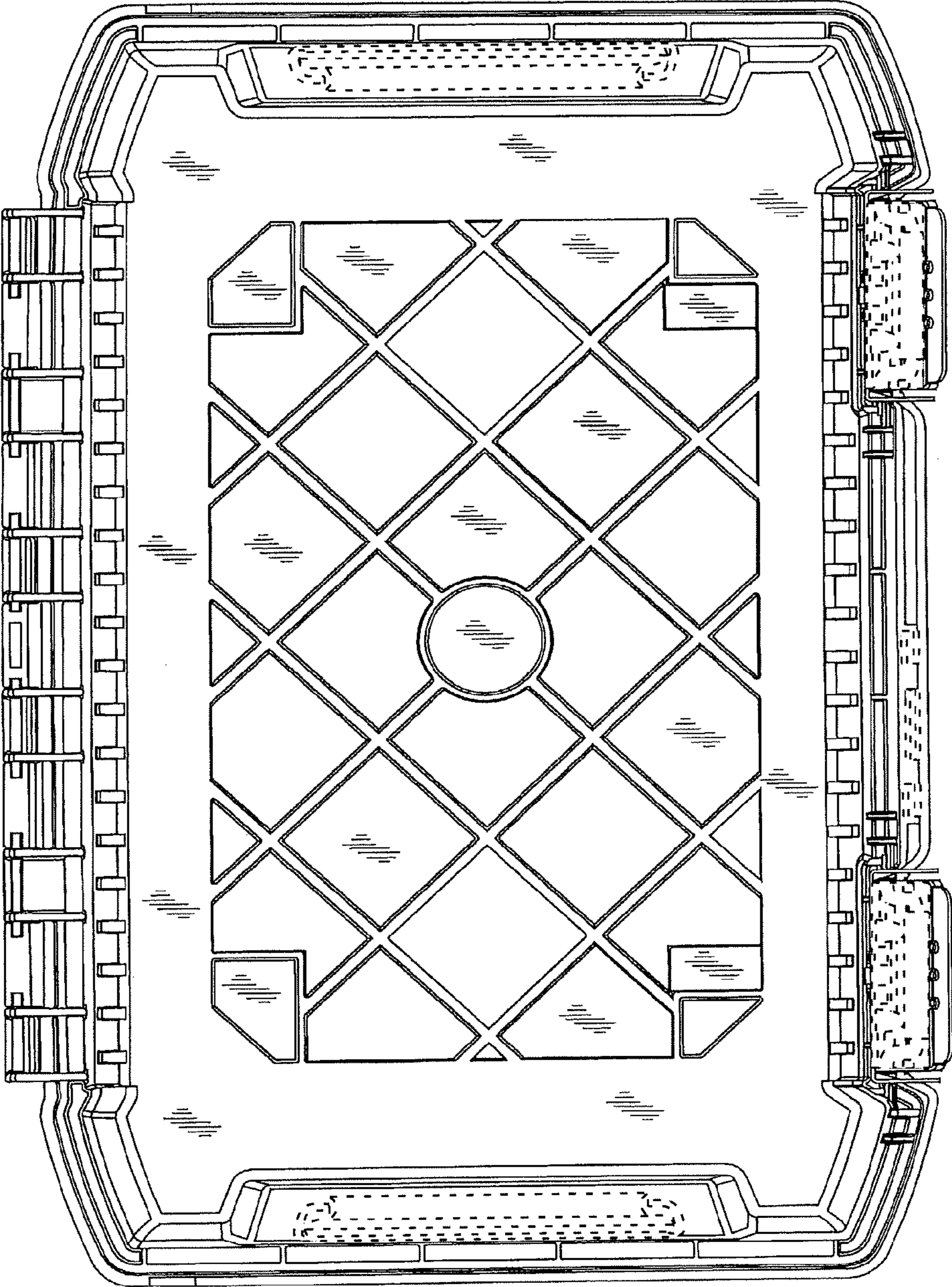


FIG.7