



US00D744748S

(12) **United States Design Patent**  
**Zech**

(10) **Patent No.:** **US D744,748 S**  
(45) **Date of Patent:** **\*\* Dec. 8, 2015**

(54) **HANDBAG COVER**

FOREIGN PATENT DOCUMENTS

(71) Applicant: **Ellen Zech**, Chicago, IL (US)

CN 201256868 6/2009

(72) Inventor: **Ellen Zech**, Chicago, IL (US)

JP H08258850 10/1996

(\*\*) Term: **14 Years**

JP 2005212828 8/2005

JP 2005348759 12/2005

JP 2013146503 8/2013

KR 20130026660 3/2013

(21) Appl. No.: **29/504,479**

\* cited by examiner

(22) Filed: **Oct. 7, 2014**

*Primary Examiner* — Holly Baynham

(51) **LOC (10) Cl.** ..... **03-01**

(74) *Attorney, Agent, or Firm* — Beem Patent Law Firm

(52) **U.S. Cl.**

(57) **CLAIM**

USPC ..... **D3/245**

The ornamental design for a handbag cover, as shown and described.

(58) **Field of Classification Search**

**DESCRIPTION**

USPC ..... D3/232–233, 240–243, 245–246

CPC ..... A45C 1/024; A45C 3/06

See application file for complete search history.

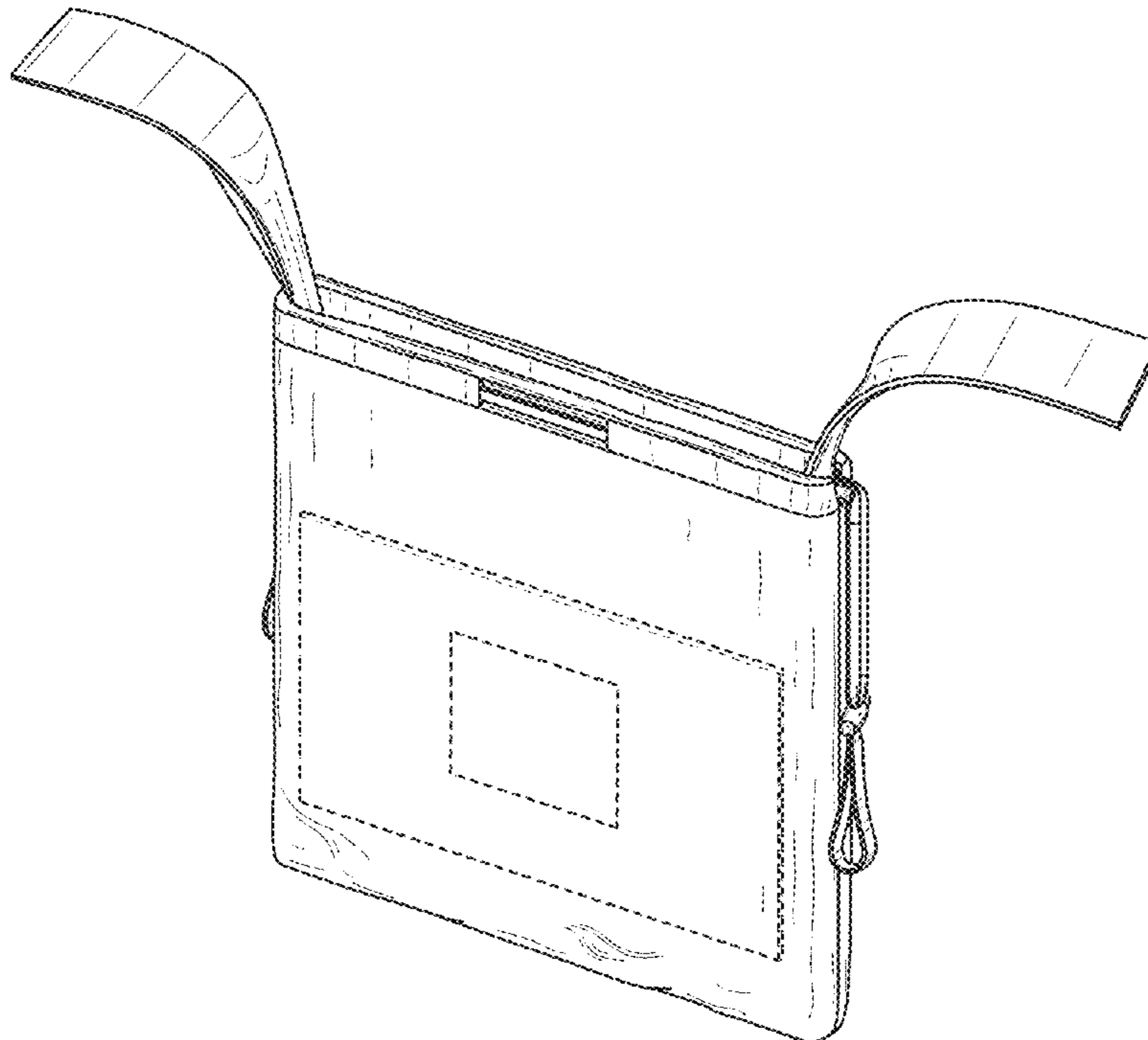
(56) **References Cited**

U.S. PATENT DOCUMENTS

3,638,890	A	2/1972	Burrell et al.	
5,005,791	A	4/1991	Lanzen	
5,246,190	A	9/1993	Swirkal	
D345,254	S *	3/1994	Bodden	D3/243
6,715,260	B1	4/2004	DeMatteis	
6,726,156	B1	4/2004	Scola	
D555,899	S *	11/2007	Spagnuolo	D3/232
D587,457	S *	3/2009	Barnwell	D3/327
D606,741	S *	12/2009	Zaharakos	D3/232
D609,011	S *	2/2010	Cucuzza	D3/327
D632,898	S	2/2011	Heroux	
8,640,890	B2	2/2014	Schiller	

FIG. 1 is a perspective view of one embodiment of a handbag cover showing the new design with an optional pocket.  
FIG. 2 is a perspective view of the handbag cover of FIG. 1 with an optional flap raised to show an optional window.  
FIG. 3 is a front view of the handbag cover of FIG. 1.  
FIG. 4 is a rear view of the handbag cover of FIG. 1.  
FIG. 5 is a right view of the handbag cover of FIG. 1.  
FIG. 6 is a left view of the handbag cover of FIG. 1.  
FIG. 7 is a top view of the handbag cover of FIG. 1; and, FIG. 8 is a bottom view of the handbag cover of FIG. 1.  
The broken lines showing the flaps and window are for the purposes of illustrating environment and form no part of the claimed design.

**1 Claim, 4 Drawing Sheets**



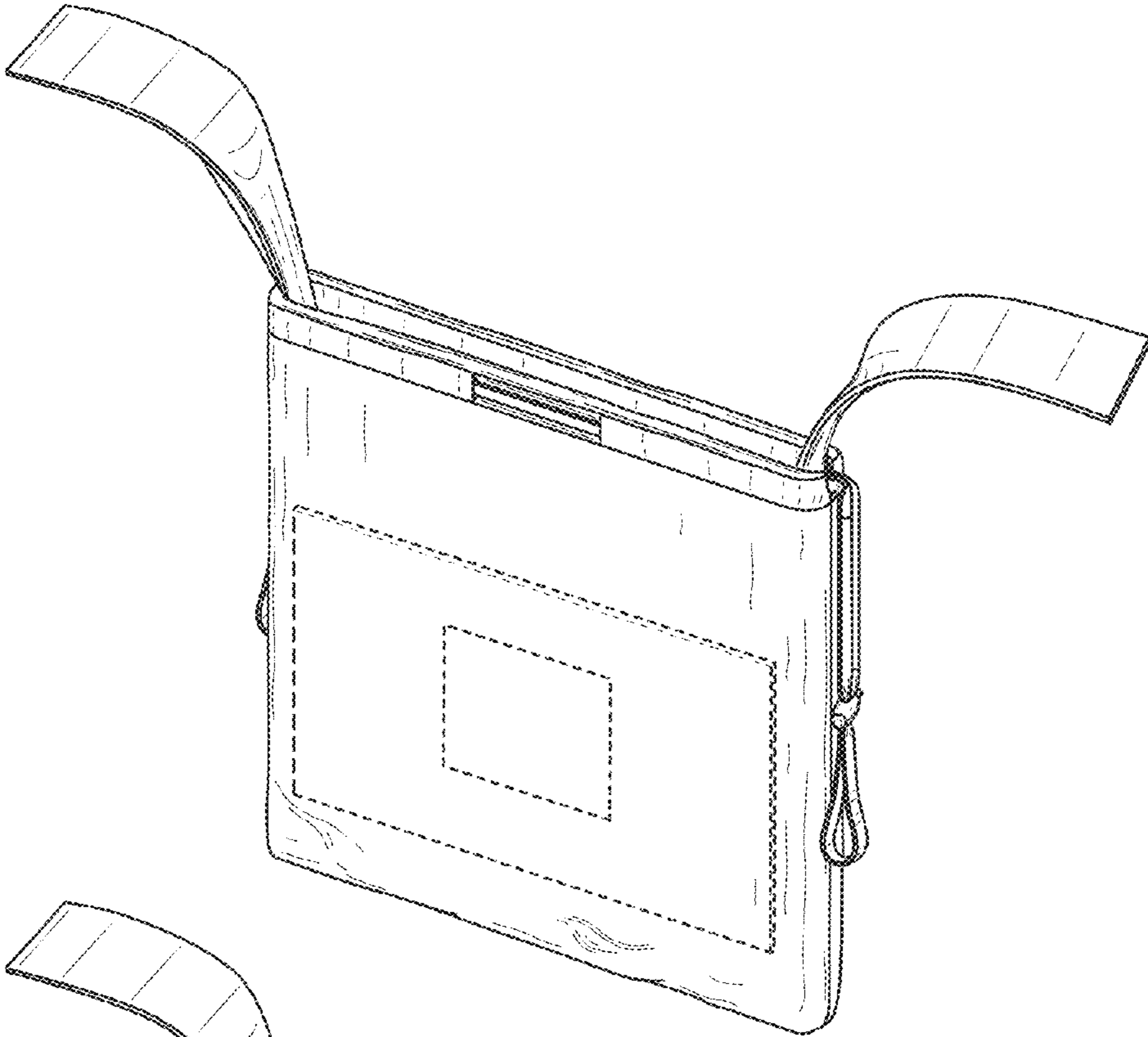


FIG. 1

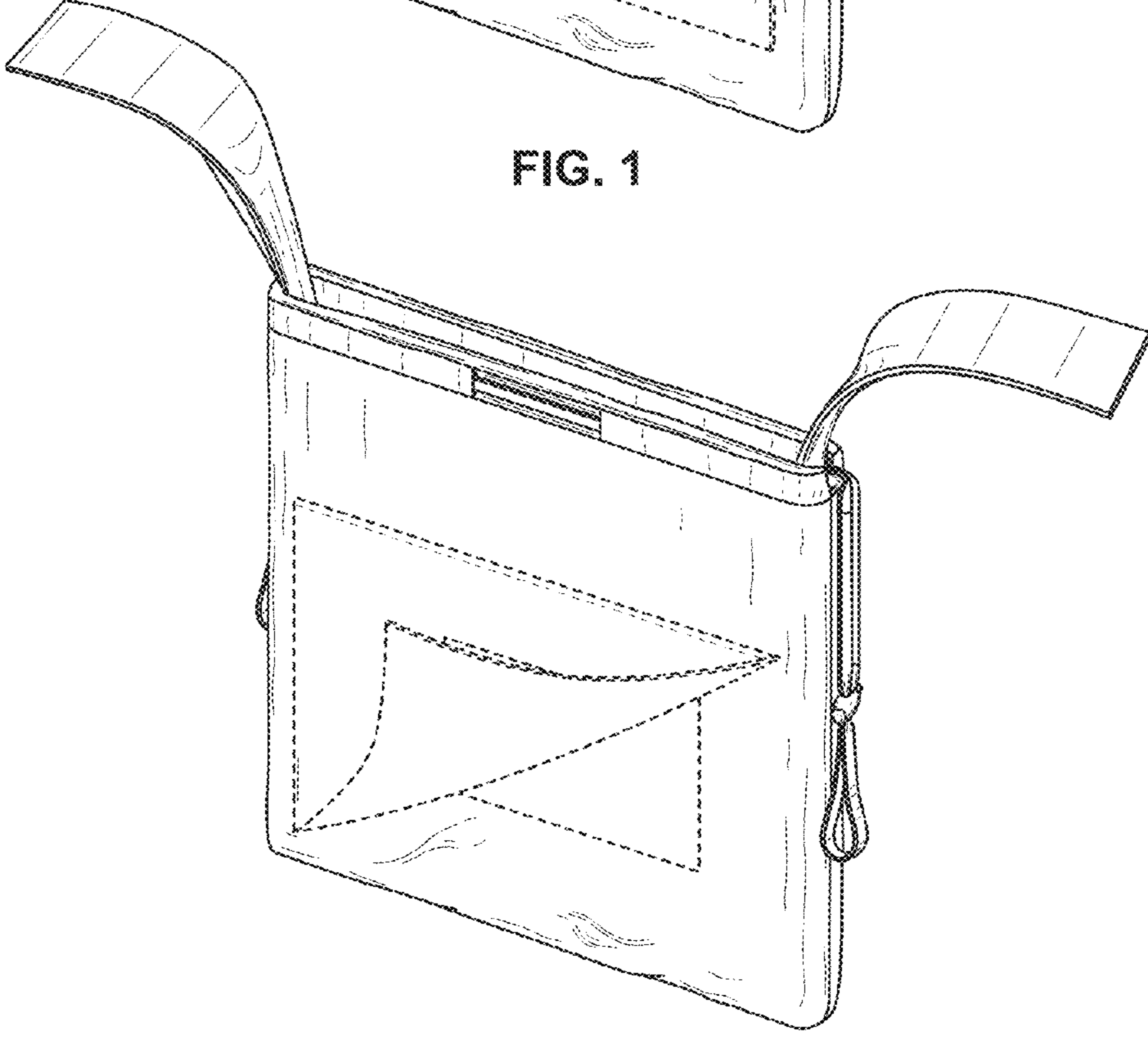


FIG. 2

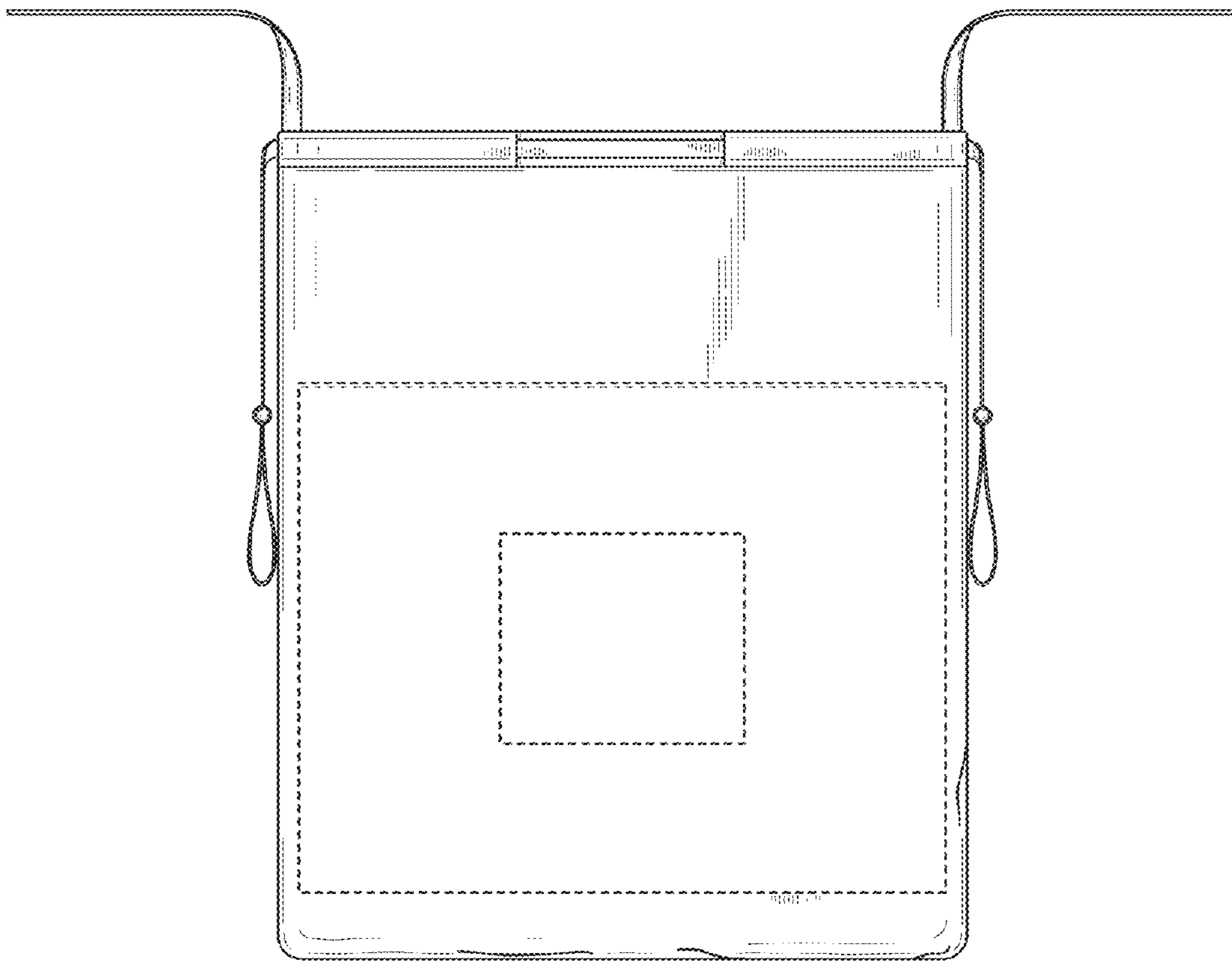


FIG. 3

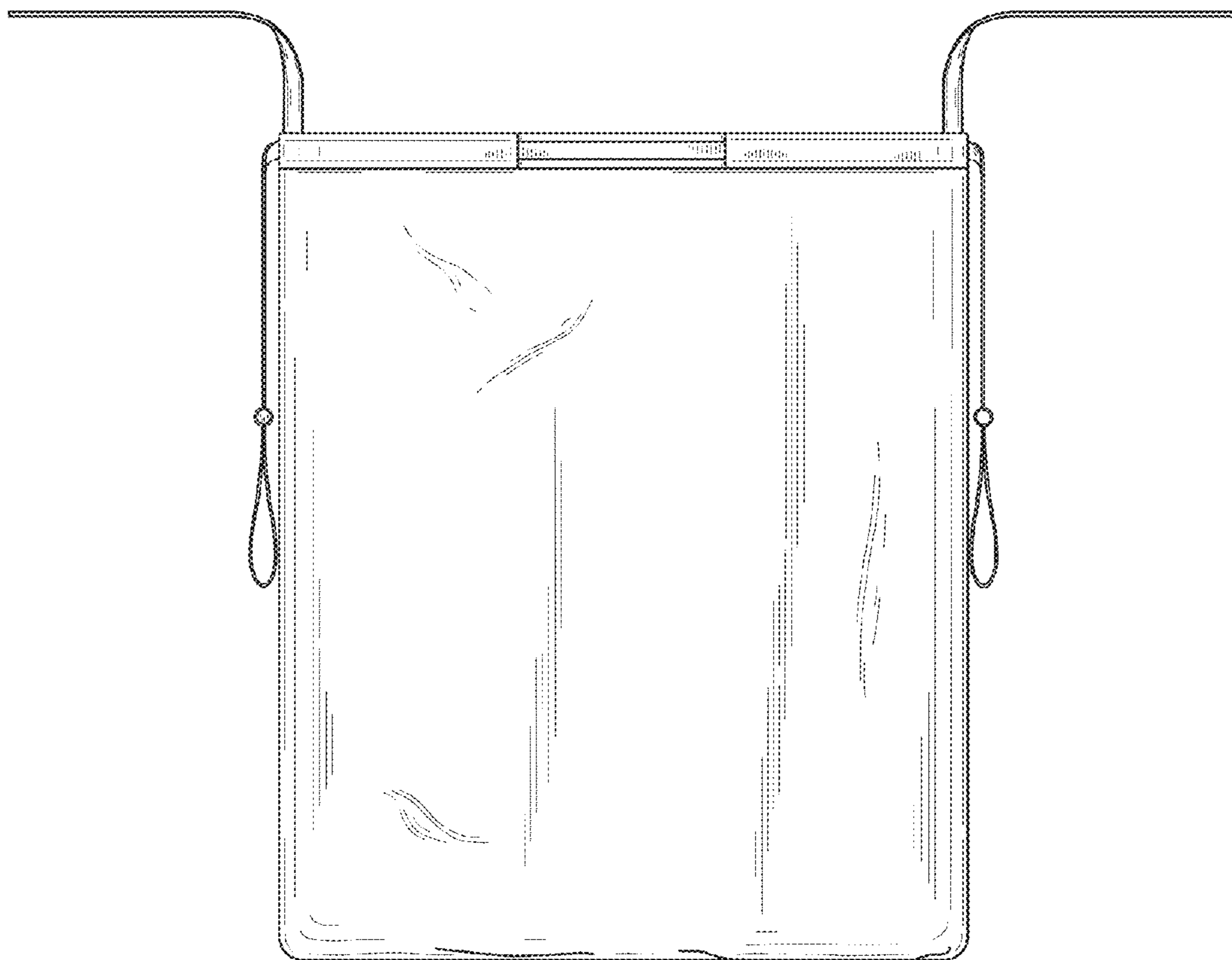


FIG. 4

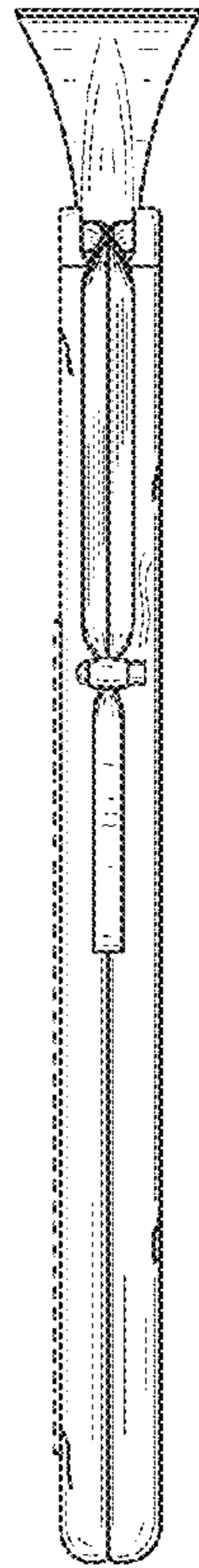


FIG. 5

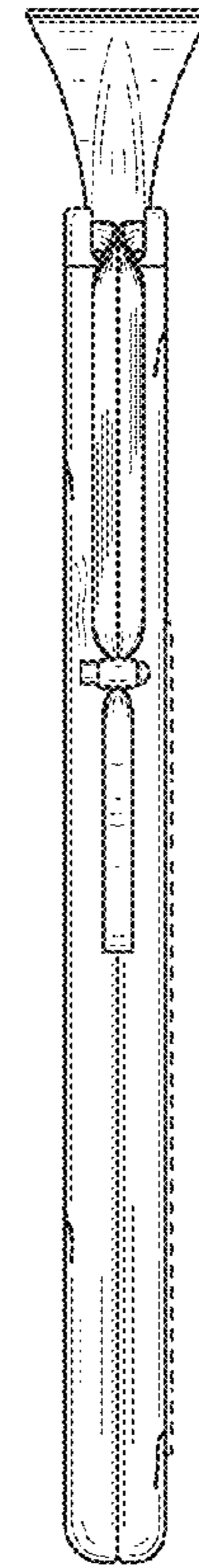


FIG. 6

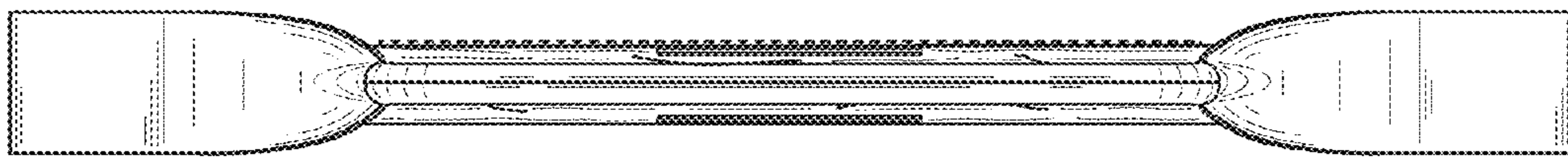


FIG. 7

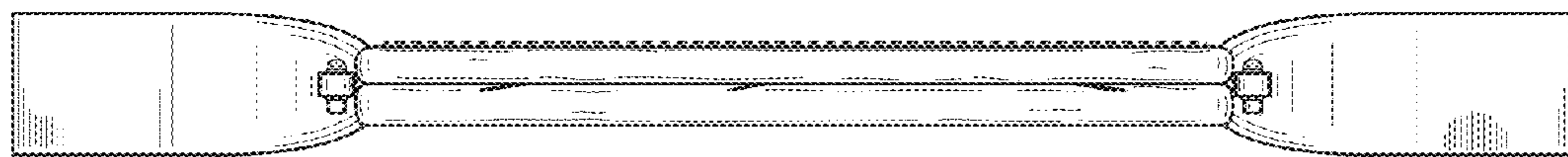


FIG. 8