



US00D744746S

(12) **United States Design Patent**  
**Ballesteros**

(10) **Patent No.:** **US D744,746 S**

(45) **Date of Patent:** **\*\* Dec. 8, 2015**

(54) **MAGNETIC BAR ACCESSORY HOLDER**

(71) Applicant: **Axel Ballesteros**, Oakland Park, FL (US)

(72) Inventor: **Axel Ballesteros**, Oakland Park, FL (US)

(\*\*) Term: **14 Years**

(21) Appl. No.: **29/482,421**

(22) Filed: **Feb. 18, 2014**

(51) **LOC (10) Cl.** ..... **03-01**

(52) **U.S. Cl.**  
USPC ..... **D3/215**

(58) **Field of Classification Search**

USPC ..... D3/206, 215, 226, 228; 24/3.2;  
224/183, 219, 222, 267, 269; 362/103  
See application file for complete search history.

(56) **References Cited**

**U.S. PATENT DOCUMENTS**

1,482,647	A *	2/1924	Gise	.....	24/3.2
4,069,954	A *	1/1978	Rauch	.....	224/219
D256,292	S *	8/1980	Cox	.....	D3/206
D256,963	S *	9/1980	Harrington	.....	D3/206
4,830,246	A *	5/1989	Ryan	.....	224/221
5,154,506	A *	10/1992	Leard	.....	362/103
5,333,767	A *	8/1994	Anderson	.....	224/183
6,530,508	B1 *	3/2003	Devine	.....	224/183
D487,844	S *	3/2004	Nichols	.....	D3/215
D667,214	S *	9/2012	Manga	.....	D3/206

\* cited by examiner

*Primary Examiner* — Catheri Oliver-Garcia

(74) *Attorney, Agent, or Firm* — Nancy J. Flint, Esq.; Nancy J. Flint, Attorney at Law, P.A.

(57) **CLAIM**

The ornamental design for a magnetic bar accessory holder, as shown and described.

**DESCRIPTION**

FIG. 1 is a front perspective view of a first embodiment of a magnetic bar accessory holder showing my new design;

FIG. 2 is a front view thereof;

FIG. 3 is a right side view thereof;

FIG. 4 is a rear view thereof;

FIG. 5 is a left side view thereof;

FIG. 6 is a top plan view thereof;

FIG. 7 is a perspective view of the first embodiment, shown attached to the arm of a user and holding a bottle opener and a pen;

FIG. 8 is a front perspective view of a second embodiment of a magnetic bar accessory holder showing my new design;

FIG. 9 is a front view thereof;

FIG. 10 is a right side view thereof;

FIG. 11 is a rear view thereof;

FIG. 12 is a left side view thereof;

FIG. 13 is a top plan view thereof; and,

FIG. 14 is a perspective view of the second embodiment, shown attached to the arm of a user and holding a bottle opener and pen.

Right side views not shown are mirror images of left side views. Bottom views not shown are mirror images of top views. Any broken lines illustrative of environmental structure in the drawings are not part of the design sought to be patented.

**1 Claim, 6 Drawing Sheets**

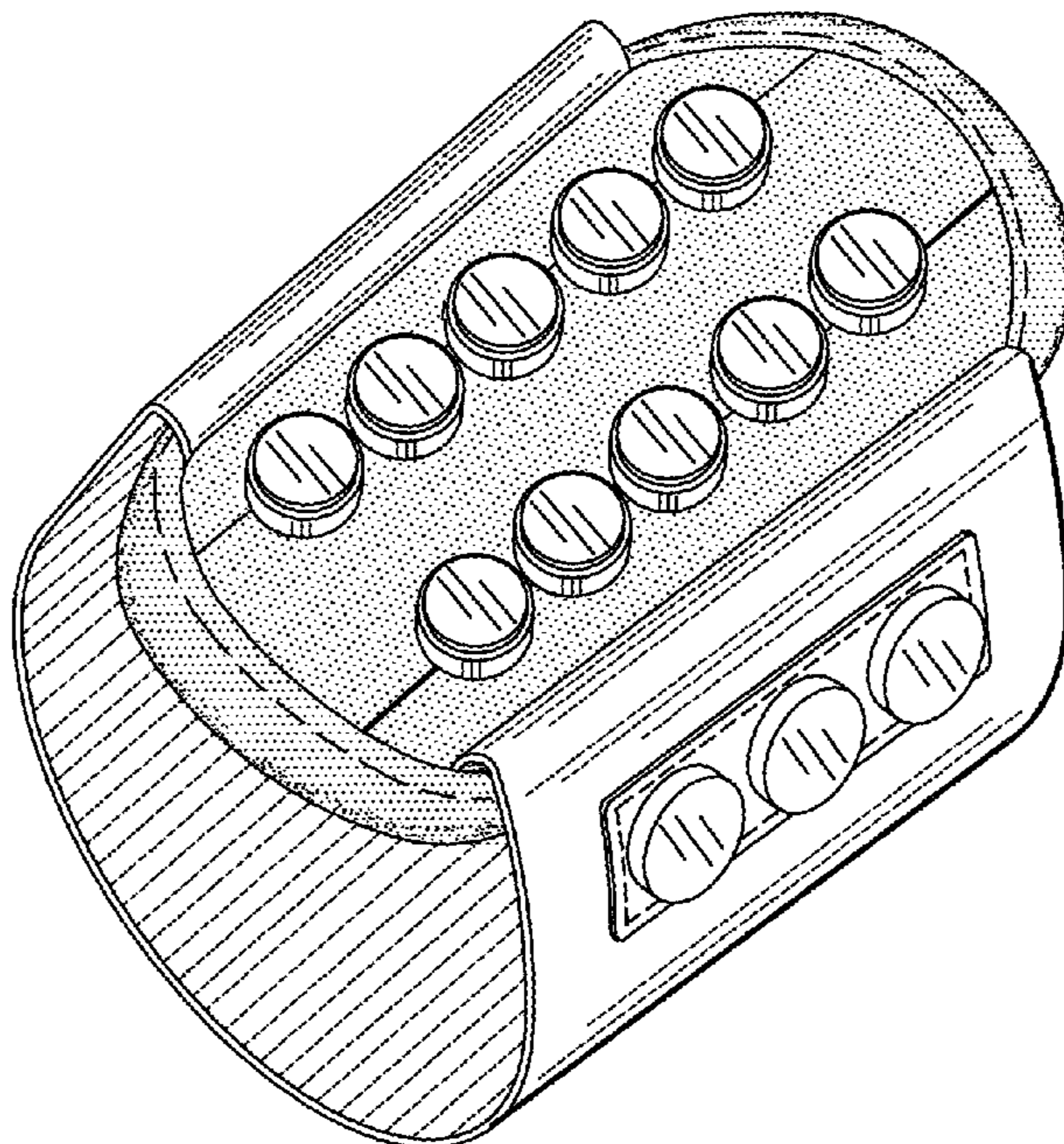




FIG. 1

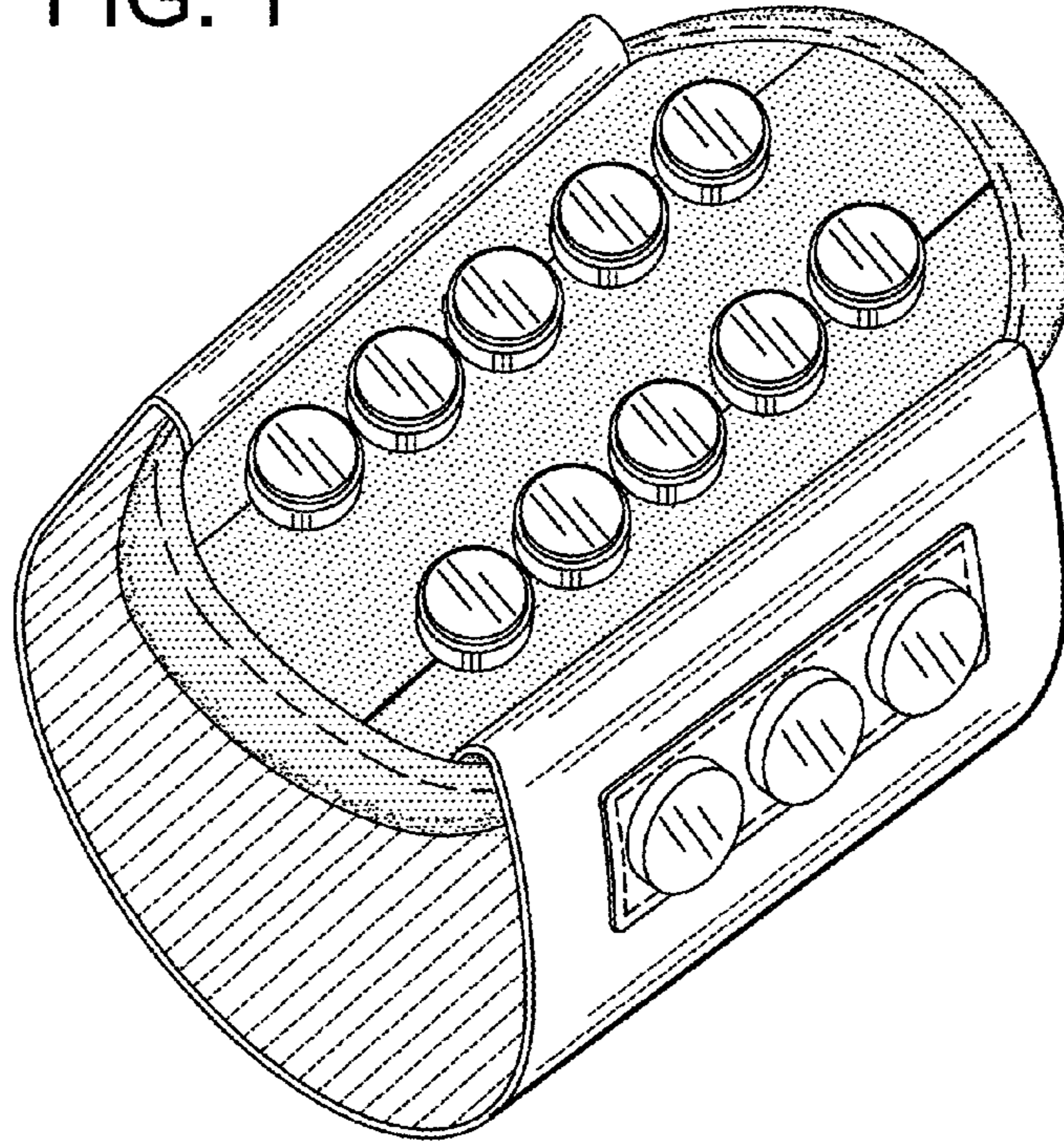


FIG. 2

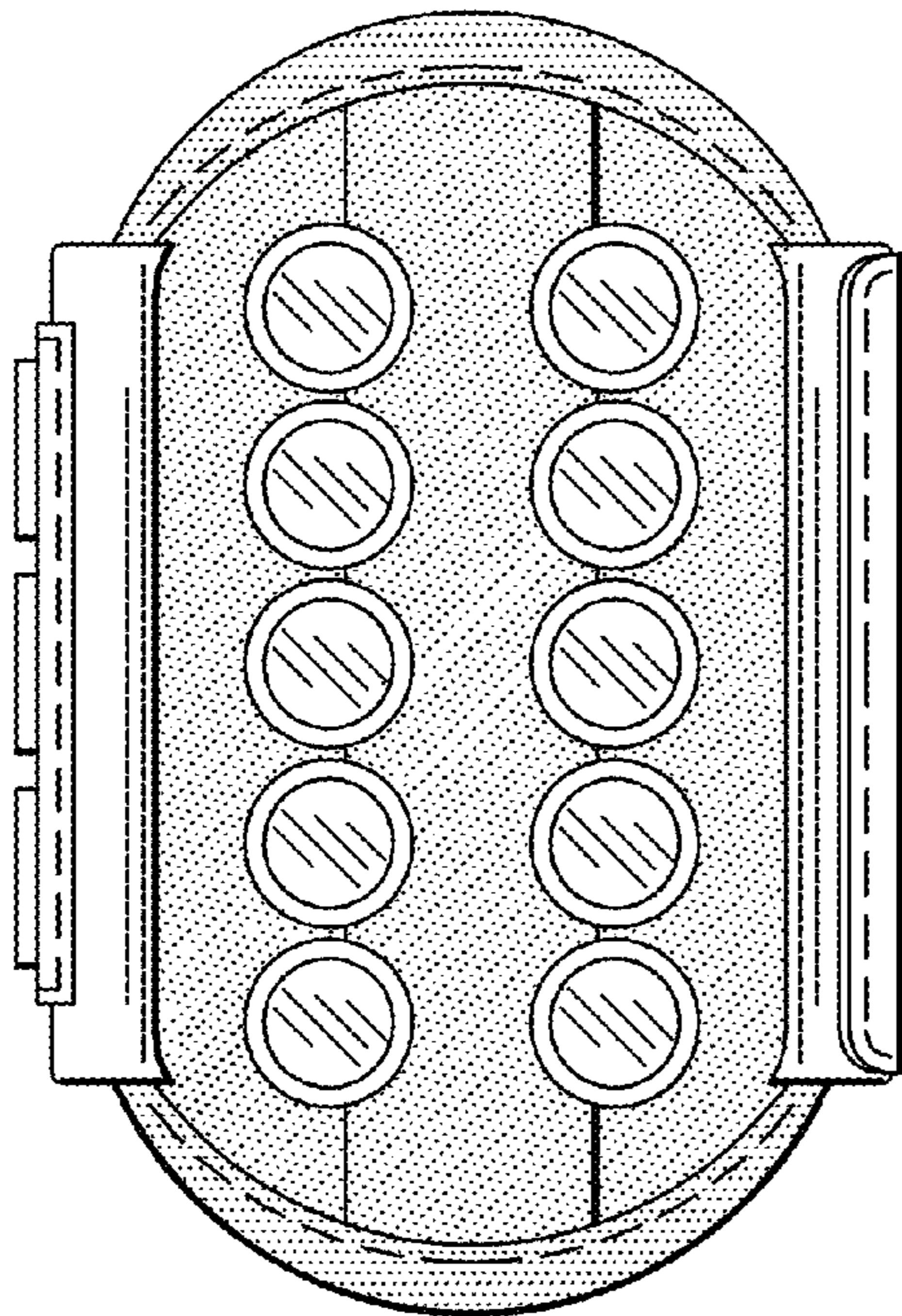


FIG. 3

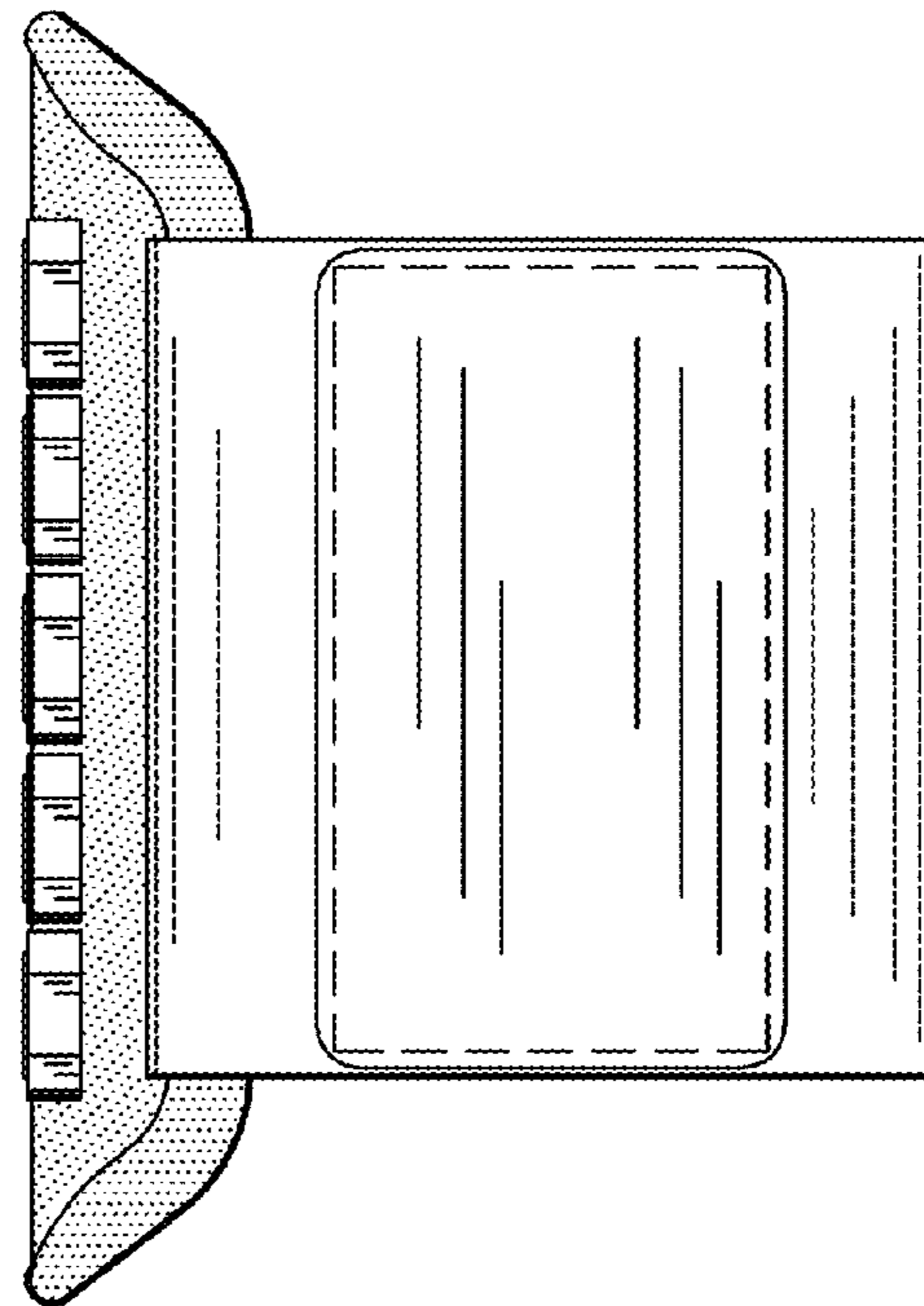


FIG. 4

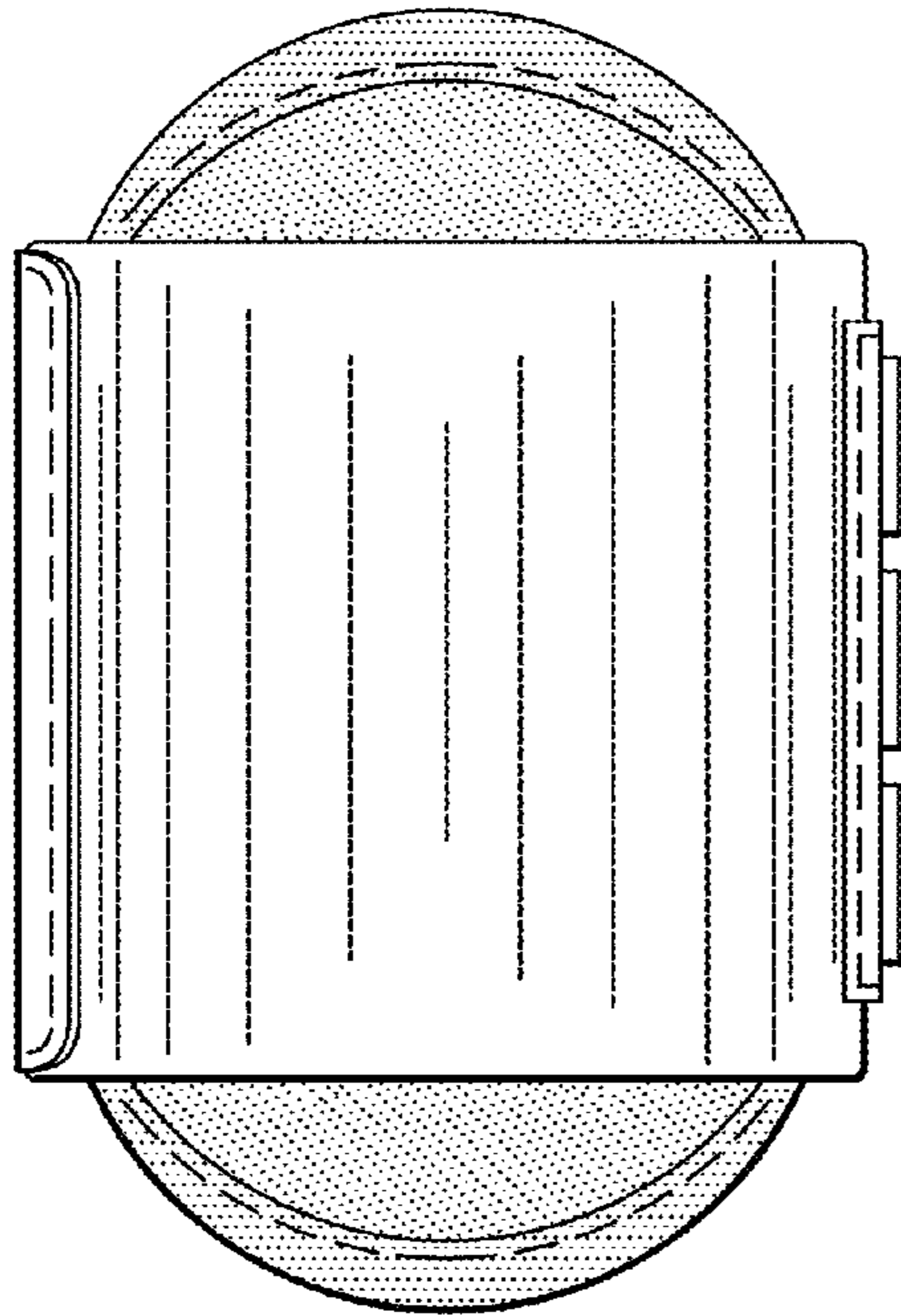


FIG. 5

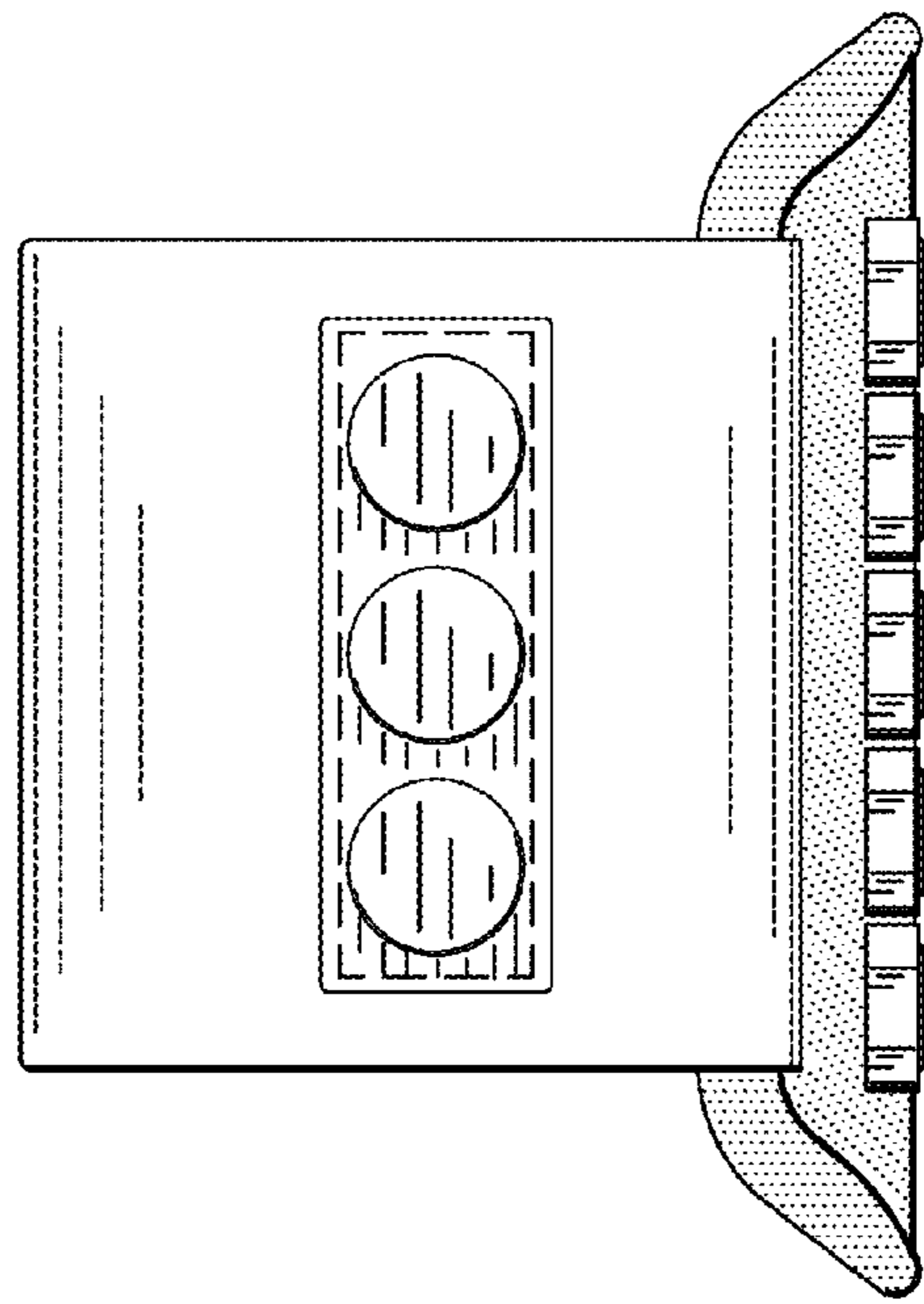
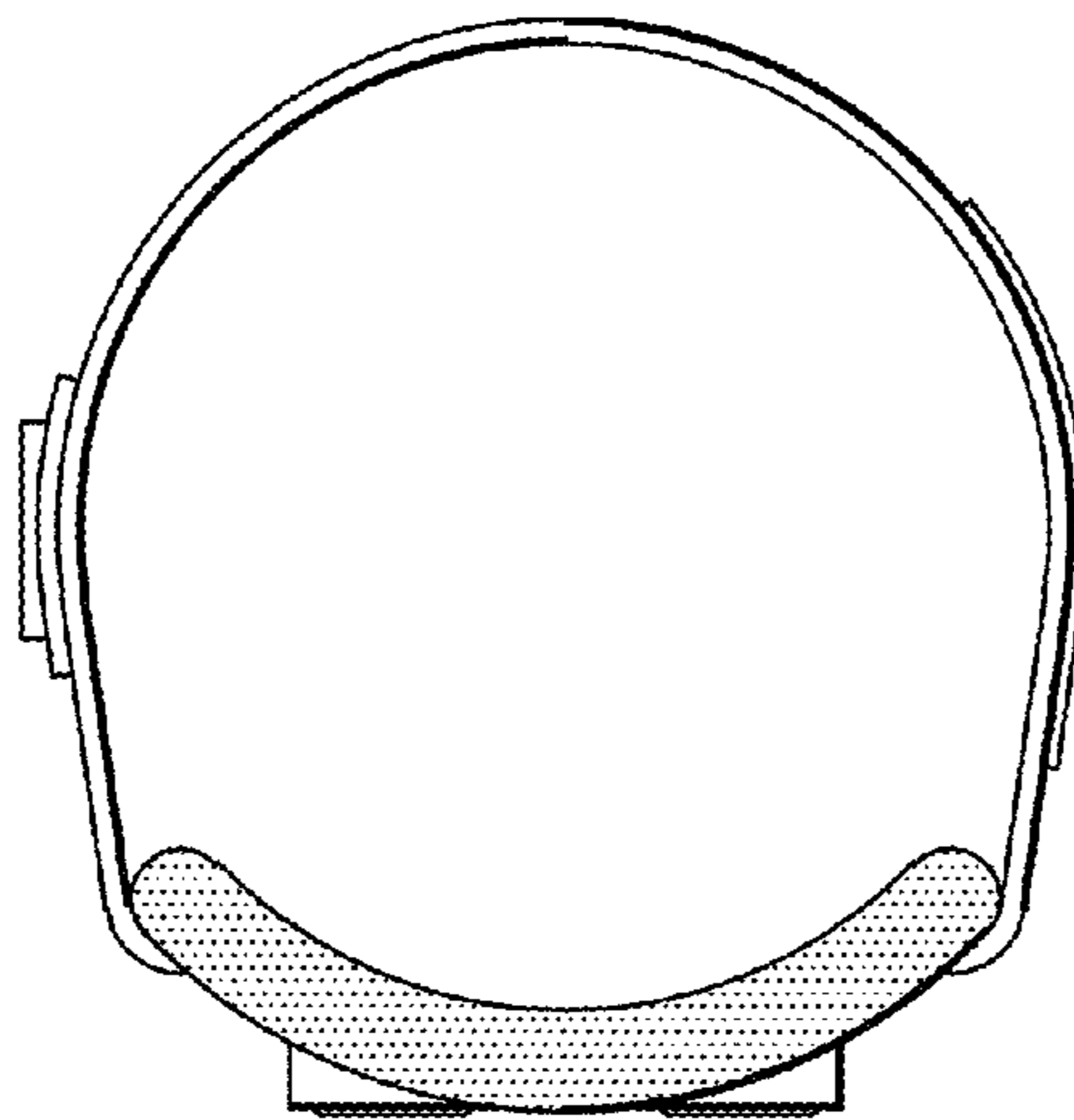


FIG. 6



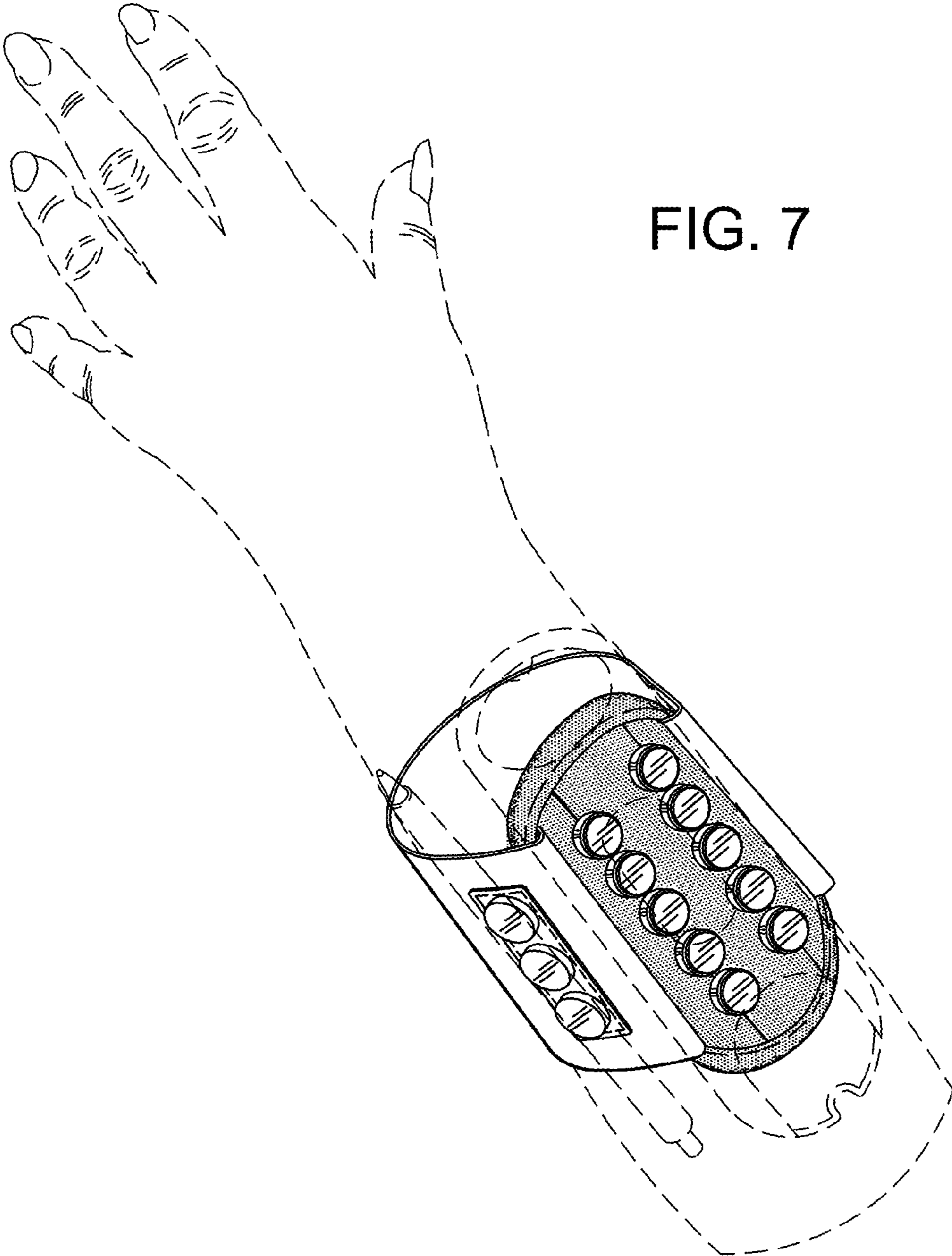


FIG. 7



FIG. 8

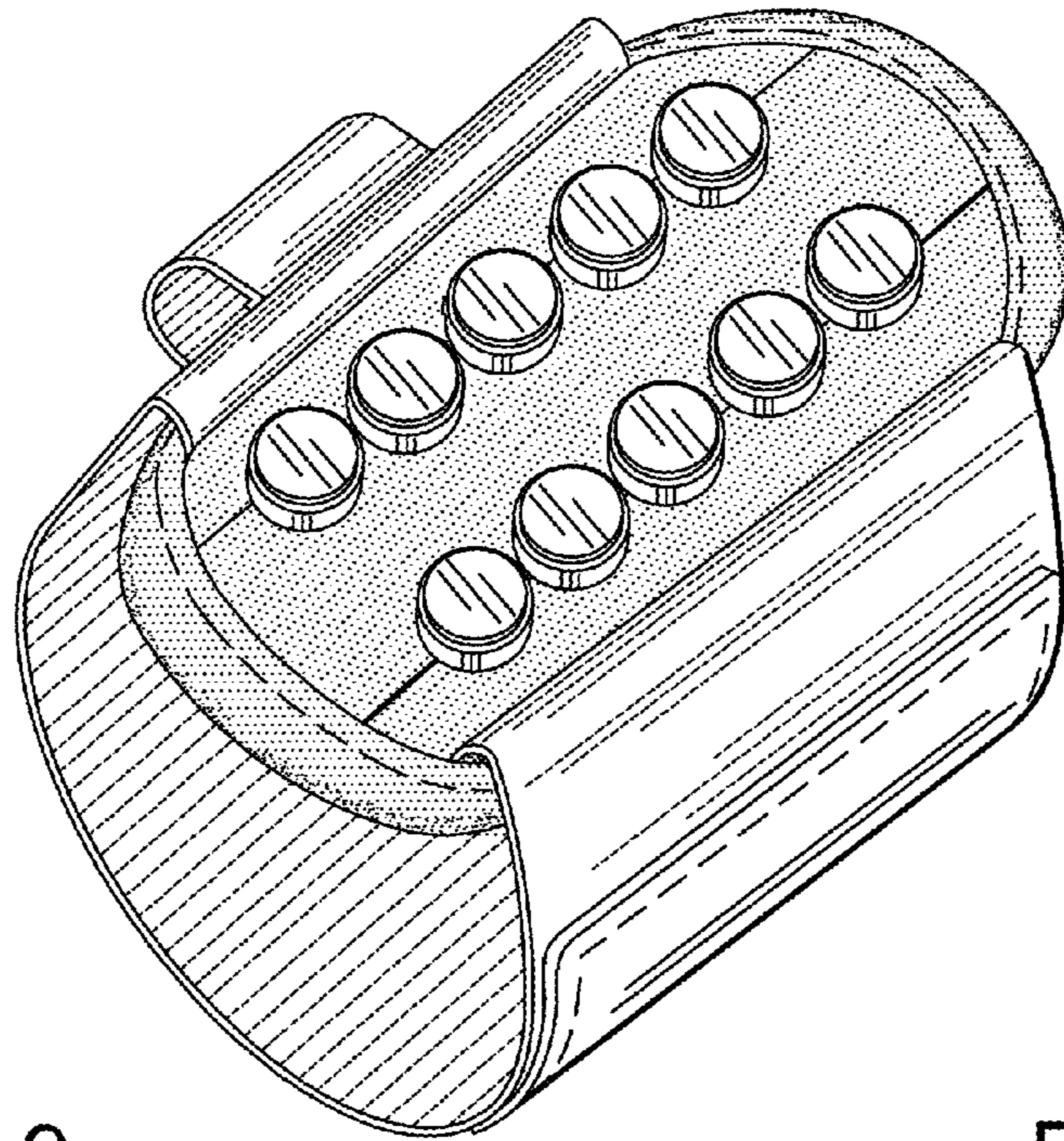


FIG. 9

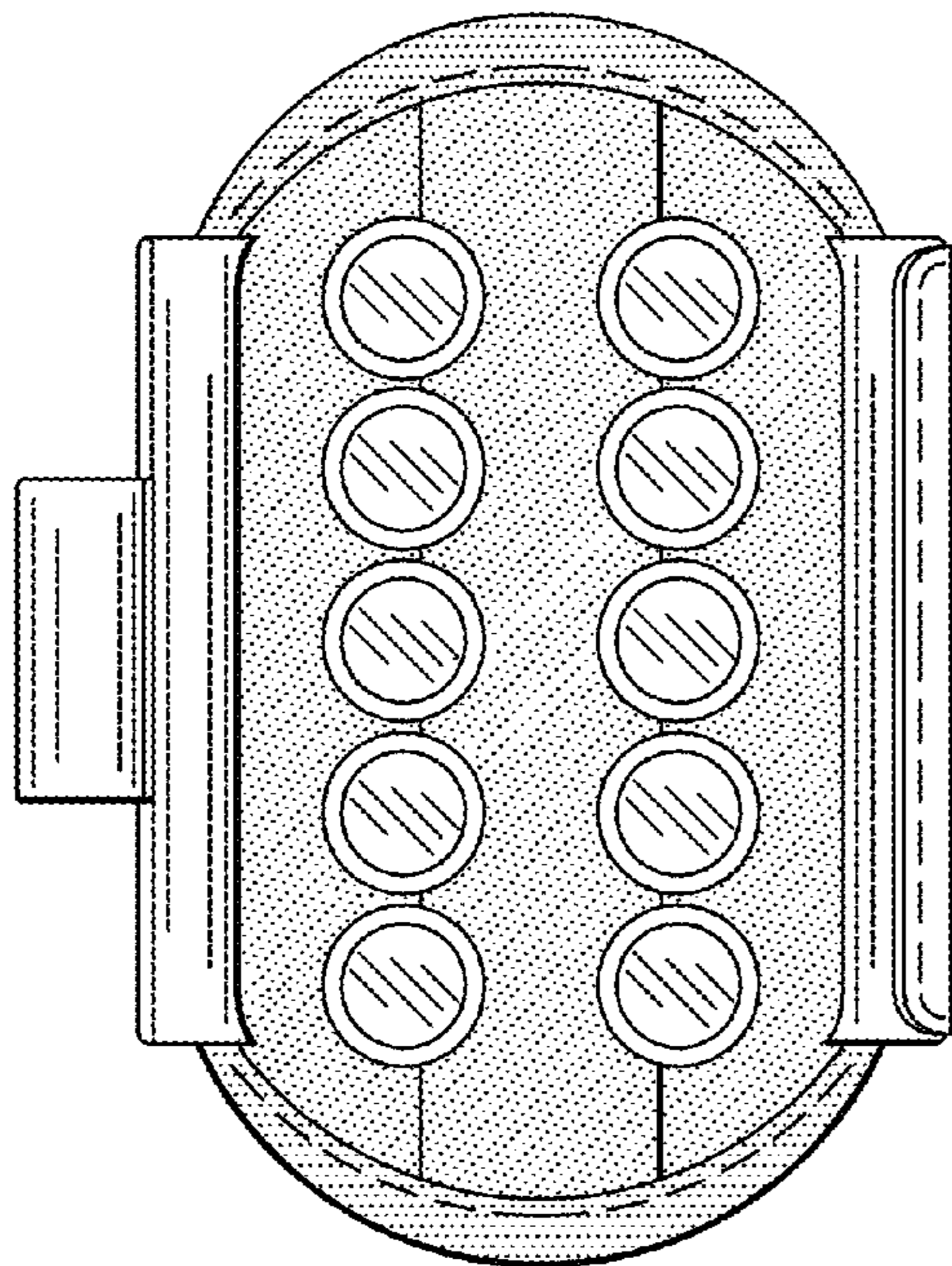


FIG. 10

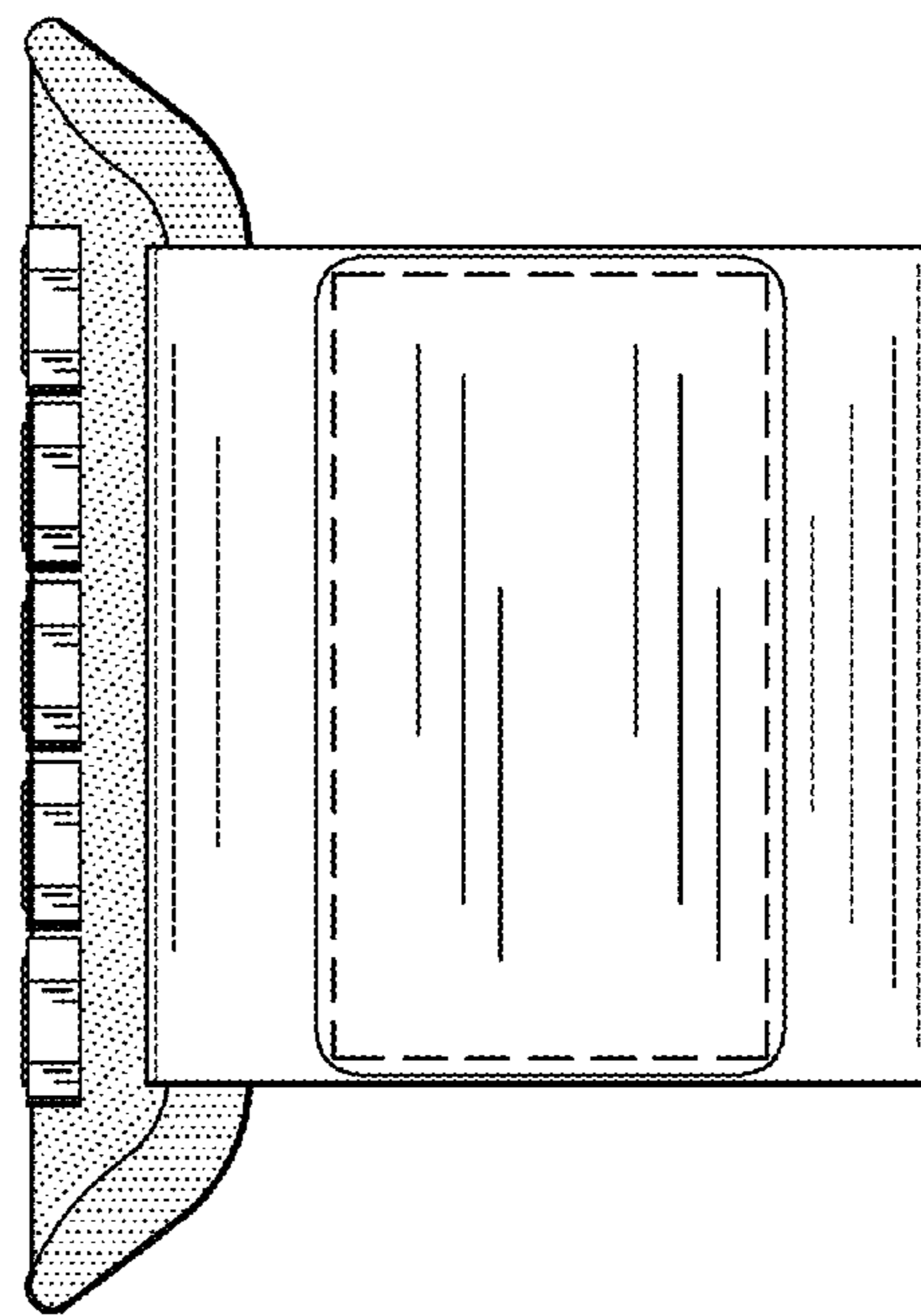


FIG. 11

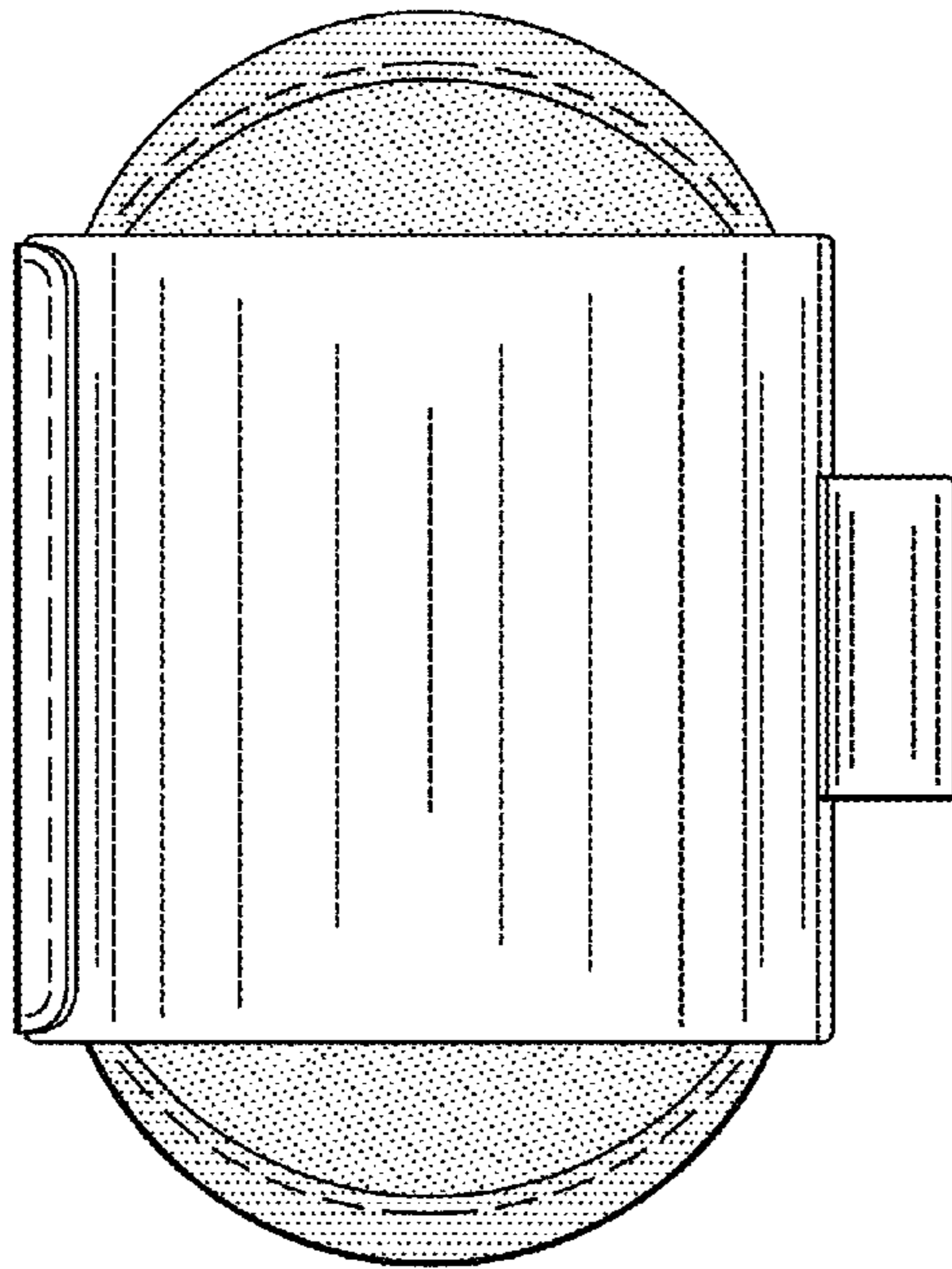


FIG. 12

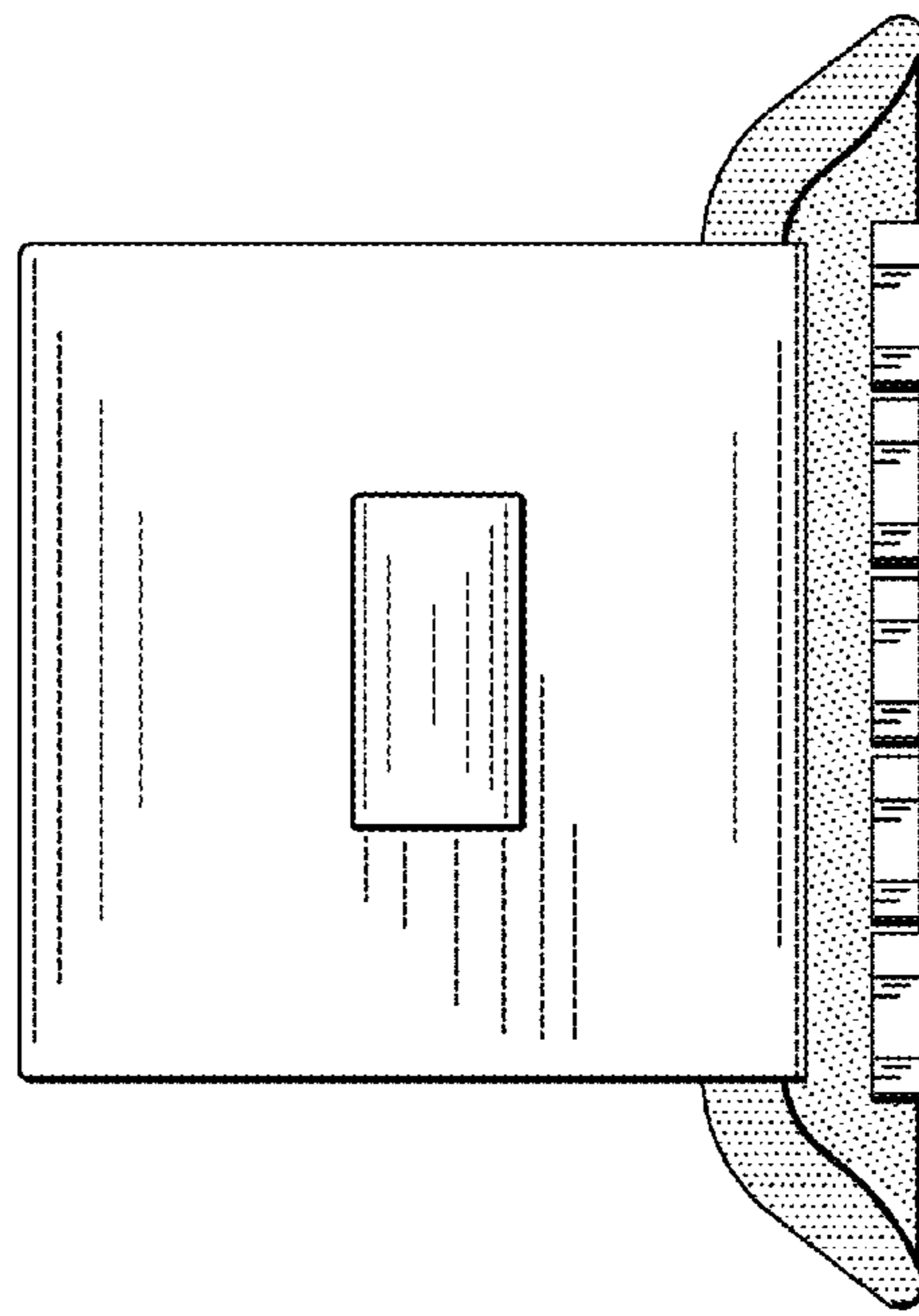
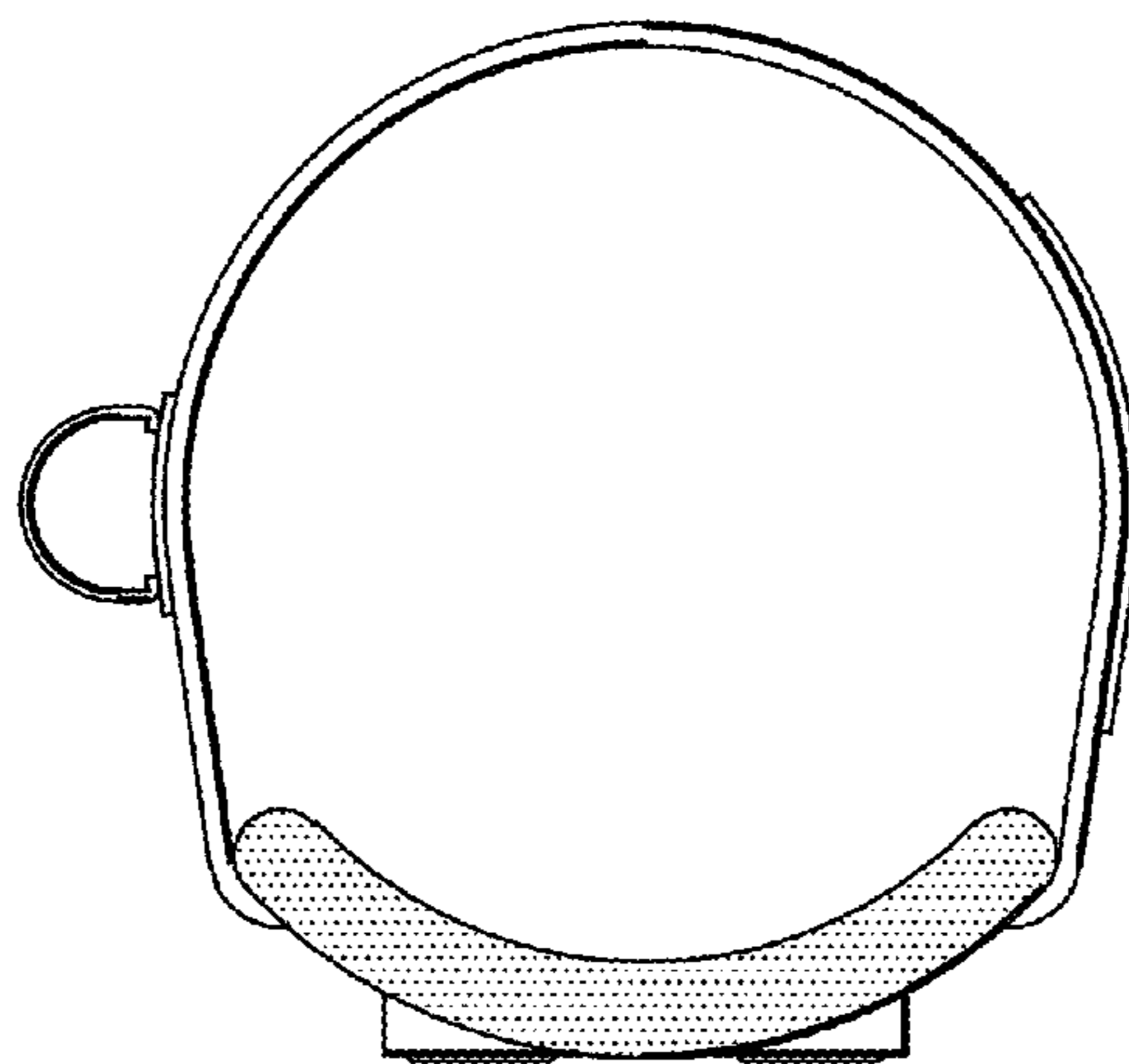


FIG. 13



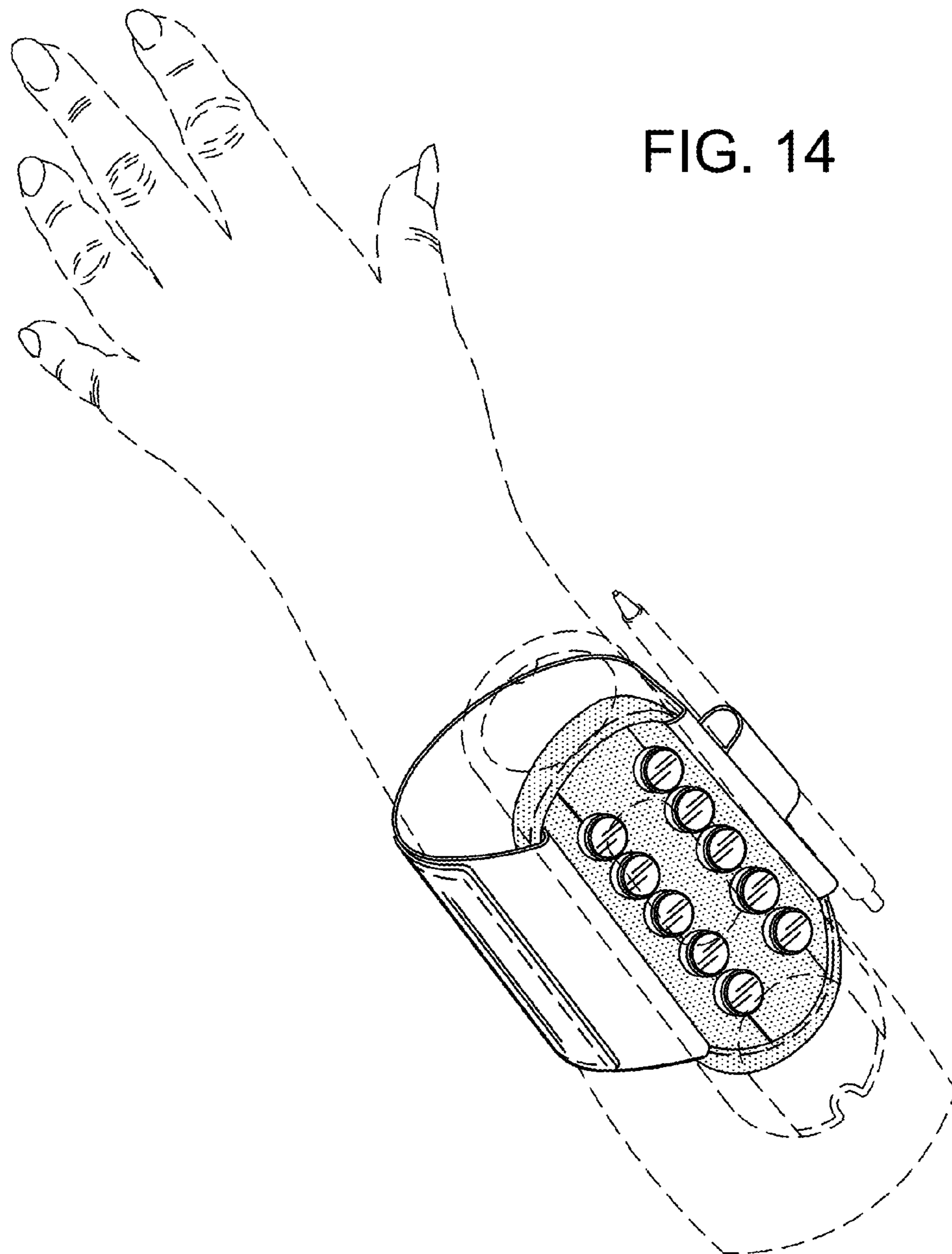


FIG. 14