



US00D744745S

(12) **United States Design Patent**
Fischer

(10) **Patent No.:** **US D744,745 S**
(45) **Date of Patent:** **** Dec. 8, 2015**

(54) **TUBE HOLDER INCORPORATING KEYRING ATTACHMENT**

(71) Applicant: **Brett William Fischer**, Lee's Summit, MO (US)

(72) Inventor: **Brett William Fischer**, Lee's Summit, MO (US)

(**) Term: **14 Years**

(21) Appl. No.: **29/510,425**

(22) Filed: **Nov. 26, 2014**

(51) **LOC (10) Cl.** **03-01**

(52) **U.S. Cl.**
USPC **D3/208**

(58) **Field of Classification Search**

USPC D11/1-2, 14, 26-29, 89-92, 44, 48, 81, D11/99; 63/26-28, 32; D3/207-212; D8/16, D8/38, 347, 348; 70/456 B, 457, 458, 70/456 R; 206/37.1, 37; D14/434, 435, D14/435.1, 436, 439, 480.3, 480.1, 480.5, D14/480.7; D24/174, 173, 480.3
CPC A45C 11/32; A47G 29/10
See application file for complete search history.

(56) **References Cited**

U.S. PATENT DOCUMENTS

2,296,700 A * 9/1942 Branstetter A47G 29/14 211/75
D154,035 S * 6/1949 Griffith D19/197
2,531,835 A * 11/1950 Anderson A44B 15/00 24/115 G
D184,253 S * 1/1959 Denison D19/197
D226,623 S * 4/1973 Shuford 220/741
3,790,118 A * 2/1974 Warren A61M 3/0266 248/311.2
D246,086 S * 10/1977 Graves D7/624.2
D248,515 S * 7/1978 Olson D3/207
D261,775 S * 11/1981 Valigura D27/161
4,363,432 A * 12/1982 Warthen A45F 5/02 206/87
4,373,223 A * 2/1983 Miller B67B 7/16 131/185

D270,008 S * 8/1983 Johnson D27/181
4,486,169 A * 12/1984 Lewis F23Q 2/34 206/85
4,553,926 A * 11/1985 Crespy B43K 29/004 206/86
4,560,344 A * 12/1985 Kietabl F23Q 2/32 431/253
4,569,653 A * 2/1986 Becker F23Q 2/32 431/253
4,606,523 A * 8/1986 Statz A47G 23/0225 211/74
4,625,861 A * 12/1986 Krog F23Q 2/36 206/234
4,634,089 A * 1/1987 Wright B60N 3/103 248/205.2
4,642,827 A * 2/1987 Karuzas B67B 7/44 431/253
4,655,425 A * 4/1987 Wallace B60N 3/18 248/308
4,779,831 A * 10/1988 Anderson B60N 3/104 248/205.2
D298,972 S * 12/1988 Schauer D27/161
4,854,856 A * 8/1989 Steiger Jr. B67B 7/16 131/185
D303,613 S * 9/1989 Carmody D8/40

(Continued)

Primary Examiner — Ralf Seifert

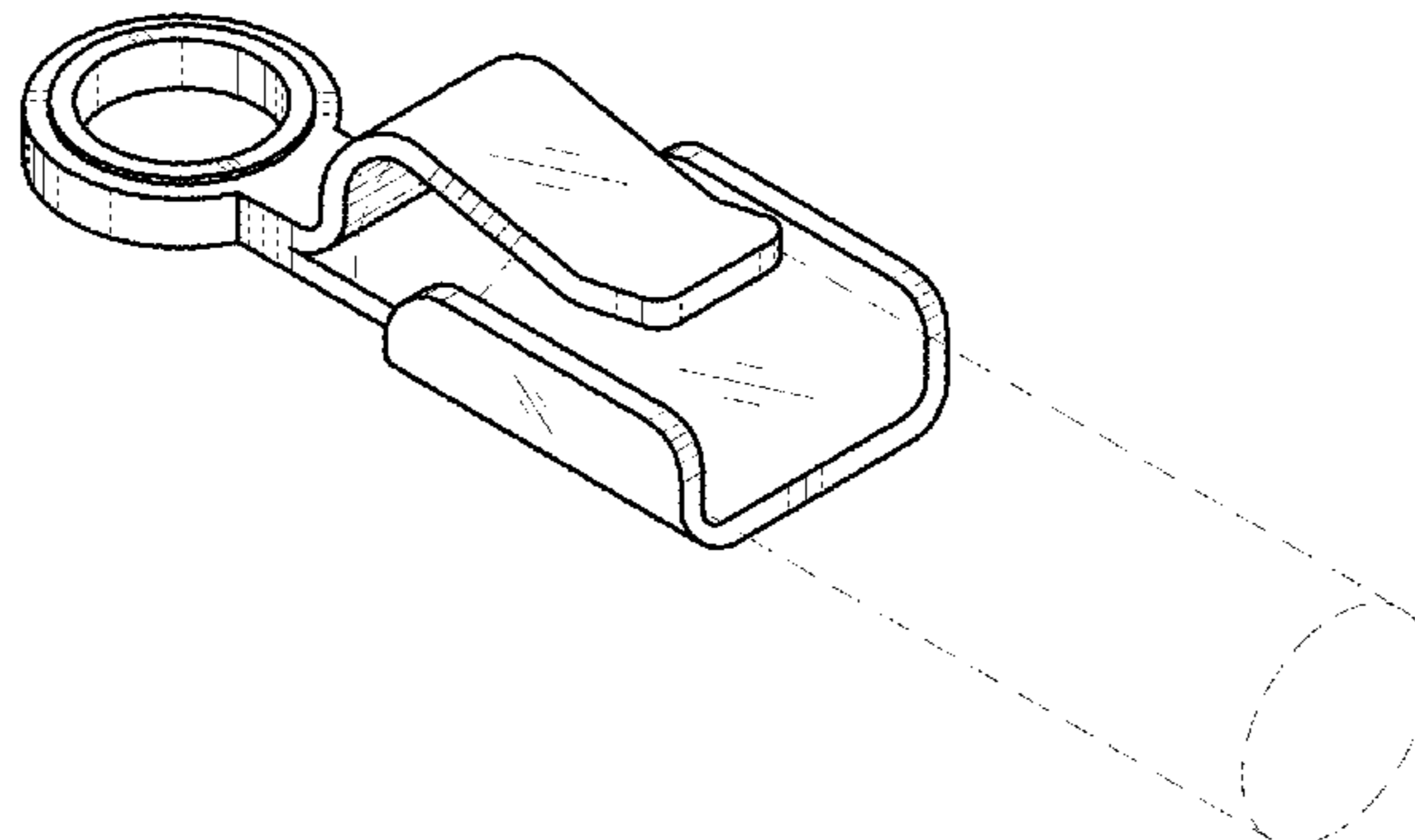
(57) **CLAIM**

The ornamental design for a new design for a tube holder incorporating a keyring attachment.

DESCRIPTION

FIG. 1 is a top perspective view of a tube holder incorporating a keyring attachment;
FIG. 2 is a front elevation view holding a tube thereof;
FIG. 3 is a back elevation view thereof; FIG. 4 is a top plan view thereof;
FIG. 5 is a bottom plan view thereof; and,
FIG. 6 is a right elevation view thereof.
The broken lines showing a tube depict environmental subject matter only and form no part of the claimed design. Both the right and left views of the tools are mirror images to their respective views and therefor not shown.

1 Claim, 2 Drawing Sheets



(56)

References Cited

U.S. PATENT DOCUMENTS

4,927,354 A *	5/1990	Sanford	F23Q 2/34	206/87	D392,093 S *	3/1998	Dierking	D3/208
4,955,518 A *	9/1990	Parsons	A45F 5/02	224/247	5,740,905 A *	4/1998	Kilfoy	F23Q 2/32
D311,260 S *	10/1990	Hasert	D28/85						206/37
D313,085 S *	12/1990	Eisenbraun	D27/142		D402,400 S *	12/1998	Pausinger	D27/161
5,026,274 A *	6/1991	Jacob	F23Q 2/34	224/162	D402,401 S *	12/1998	Duke	D27/161
D321,569 S *	11/1991	Wallace	D27/142		D416,675 S *	11/1999	MacDonald	D3/207
D350,216 S *	8/1994	Heaton	D27/144		D436,223 S *	1/2001	Pascanu	D27/161
D354,677 S *	1/1995	Troyer	D26/138		6,196,382 B1 *	3/2001	Lenderman	F23Q 2/34
D357,278 S *	4/1995	Turney	D19/197						206/37
5,409,374 A *	4/1995	Liard	F23Q 2/34	206/236	D465,645 S *	11/2002	Lombardo	D3/215
D372,333 S *	7/1996	Pearson	D27/144		D473,437 S *	4/2003	Klein	D8/34
D374,740 S *	10/1996	Seaman	D27/142		D489,478 S *	5/2004	Shioi	D27/142
D378,440 S *	3/1997	Collette	D27/142		D514,310 S *	2/2006	Roye	D3/207
D378,442 S *	3/1997	Ichikawa	D27/186		D516,241 S *	2/2006	Gaines	D27/161
5,682,981 A *	11/1997	Sudborough	A44B 15/005	206/349	D527,488 S *	8/2006	Hung	D27/161
						D563,096 S *	3/2008	Ivey	D3/205
						D572,406 S *	7/2008	Masoud	D27/161
						D648,891 S *	11/2011	Heger	D27/161
						D662,655 S *	6/2012	Bodenchuk	D27/172
						D666,408 S *	9/2012	Neely, III	D3/208
						D682,058 S *	5/2013	Puglisi	D28/77
						D698,089 S *	1/2014	Smith	D22/116
						D724,834 S *	3/2015	Schneider	D3/207

* cited by examiner

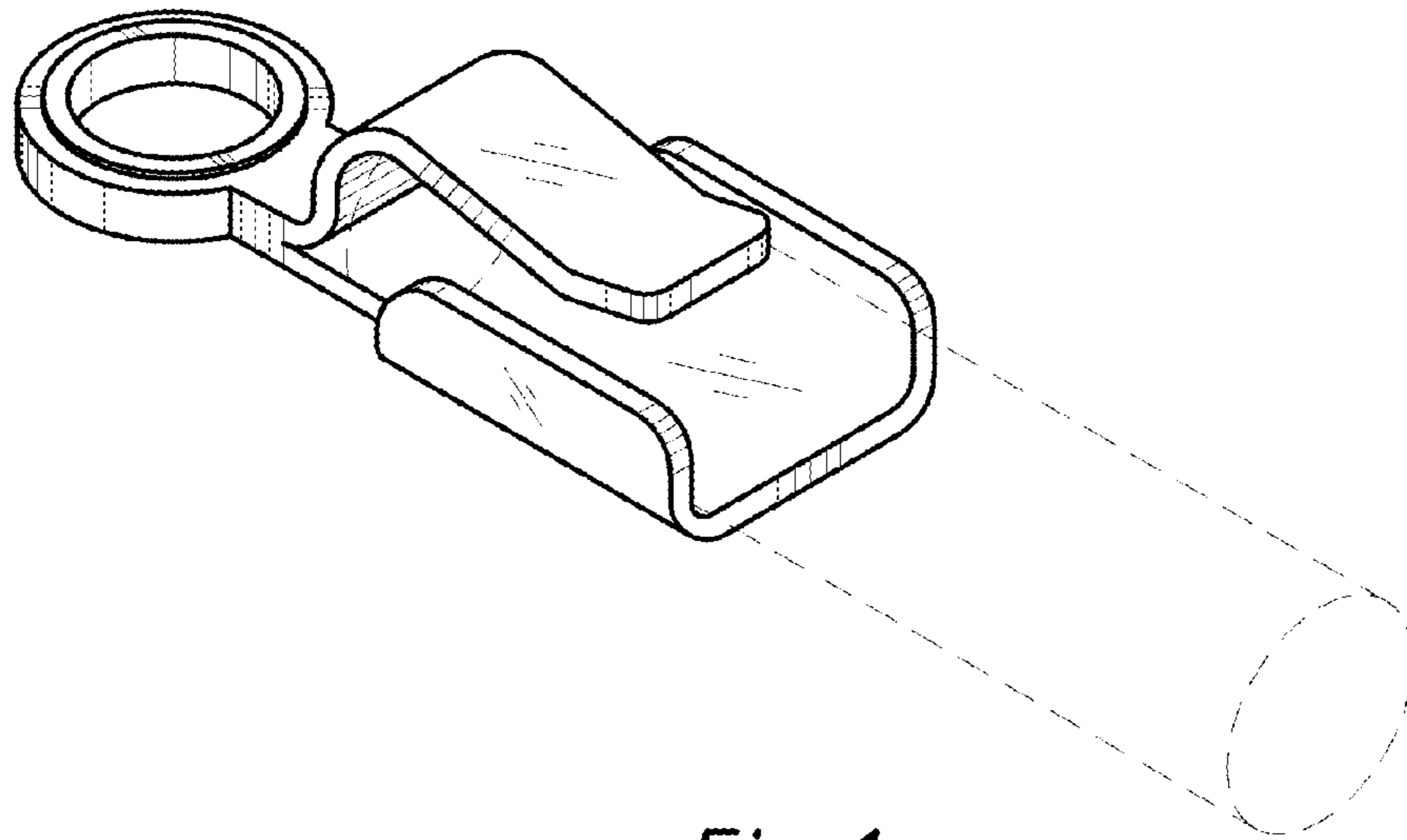


Fig. 1

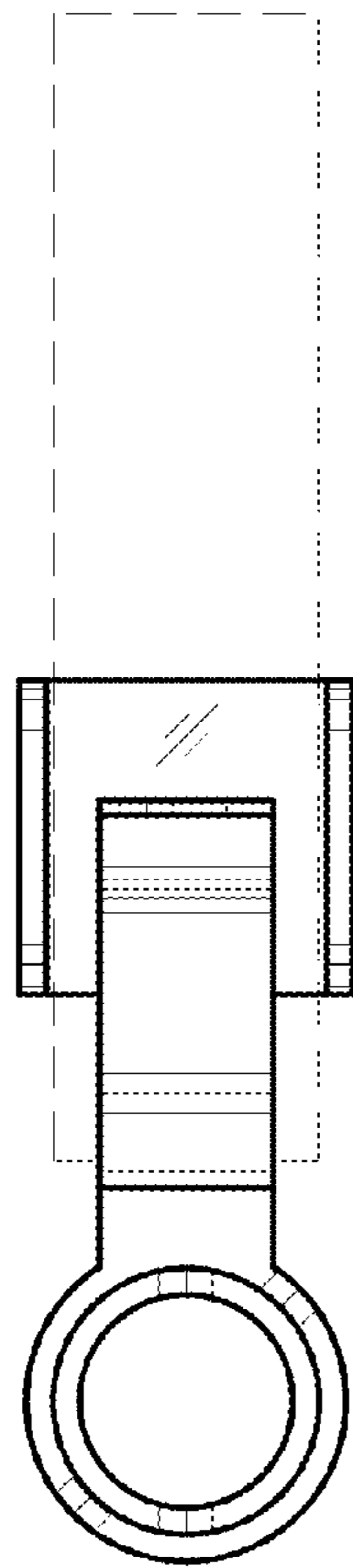


Fig. 2

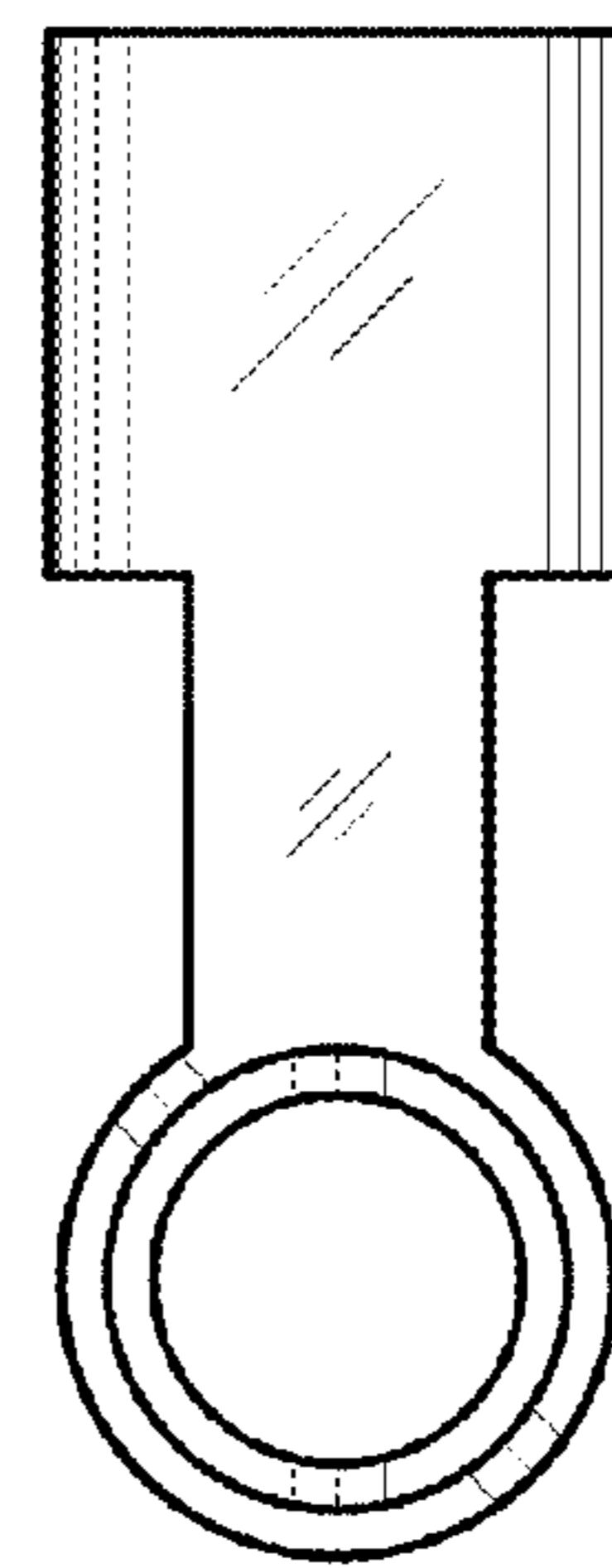


Fig. 3

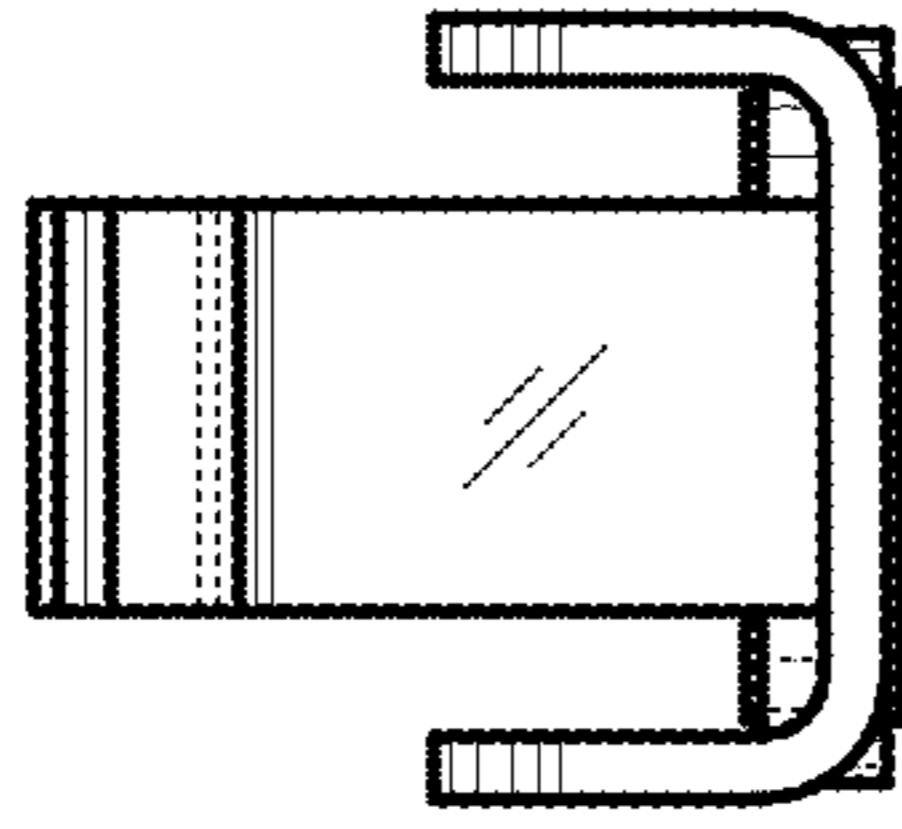


Fig. 4

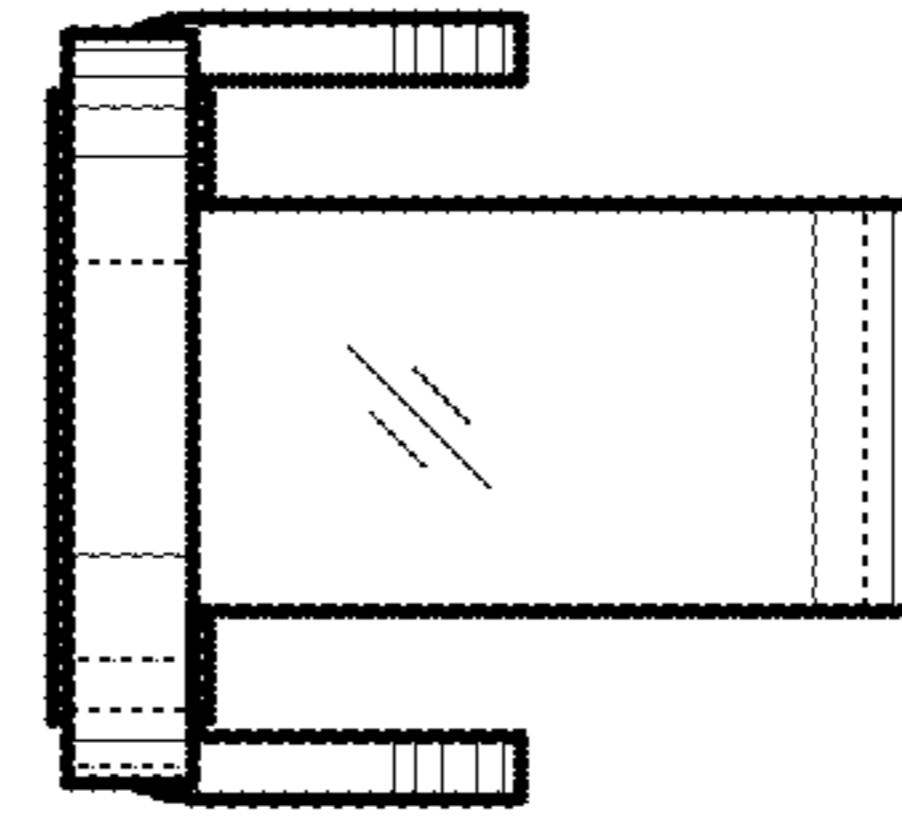


Fig. 5

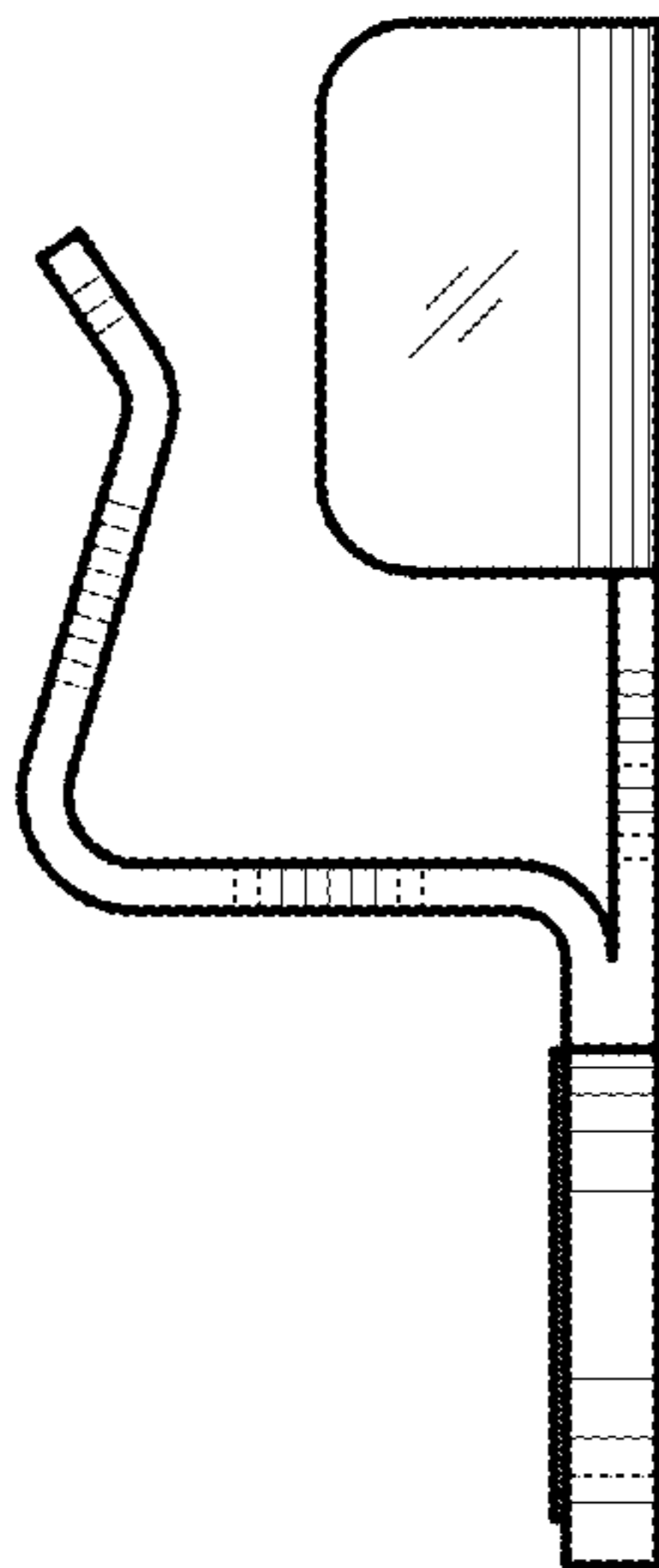


Fig. 6