



US00D744744S

(12) **United States Design Patent**  
**Lee et al.**

(10) **Patent No.:** **US D744,744 S**  
(45) **Date of Patent:** **\*\* Dec. 8, 2015**

(54) **RAZOR TRAVEL COVER**

(71) Applicant: **HF Global, Inc.**, New York, NY (US)

(72) Inventors: **Stuart Harvey Lee**, Forest Hills, NY (US); **Jochen Schaepers**, New York, NY (US); **Scott Newlin**, Brooklyn, NY (US)

(73) Assignee: **H.F. Global, Inc.**, New York, NY (US)

(\*\*) Term: **14 Years**

(21) Appl. No.: **29/513,010**

(22) Filed: **Dec. 24, 2014**

(51) **LOC (10) Cl.** ..... **03-01**

(52) **U.S. Cl.**  
USPC ..... **D3/205**

(58) **Field of Classification Search**  
USPC ..... D3/205  
CPC ..... A45D 27/22; A45D 40/22  
See application file for complete search history.

(56) **References Cited**

**U.S. PATENT DOCUMENTS**

D247,024 S *	1/1978	Hauf	.....	D3/205
D360,069 S *	7/1995	Wang	.....	D3/205
D445,563 S *	7/2001	Cautereels	.....	D28/78
D534,423 S *	1/2007	Tanner	.....	D9/426
7,201,271 B1 *	4/2007	Saad	.....	A45C 11/00 132/315
D542,675 S *	5/2007	Luxton	.....	D9/749

D565,289 S *	4/2008	Christie	.....	D3/205
D602,245 S *	10/2009	Christie	.....	D3/205
D629,272 S *	12/2010	Gherman	.....	D8/92
D681,938 S *	5/2013	Pan	.....	D3/205

\* cited by examiner

*Primary Examiner* — Susan Bennett Hattan

*Assistant Examiner* — Charles Hanson

(74) *Attorney, Agent, or Firm* — Florek & Endres PLLC

(57) **CLAIM**

The ornamental design for a razor travel cover, as shown and described.

**DESCRIPTION**

FIG. 1 is a perspective view of the razor travel cover the present invention in its closed configuration.

FIG. 2 is a top plan view of the razor travel cover of FIG. 1.

FIG. 3 is a bottom plan view of the razor travel cover of FIG. 1.

FIG. 4 is a right side elevation of the razor travel cover of FIG. 1.

FIG. 5 is a left side elevation of the razor travel cover of FIG. 1.

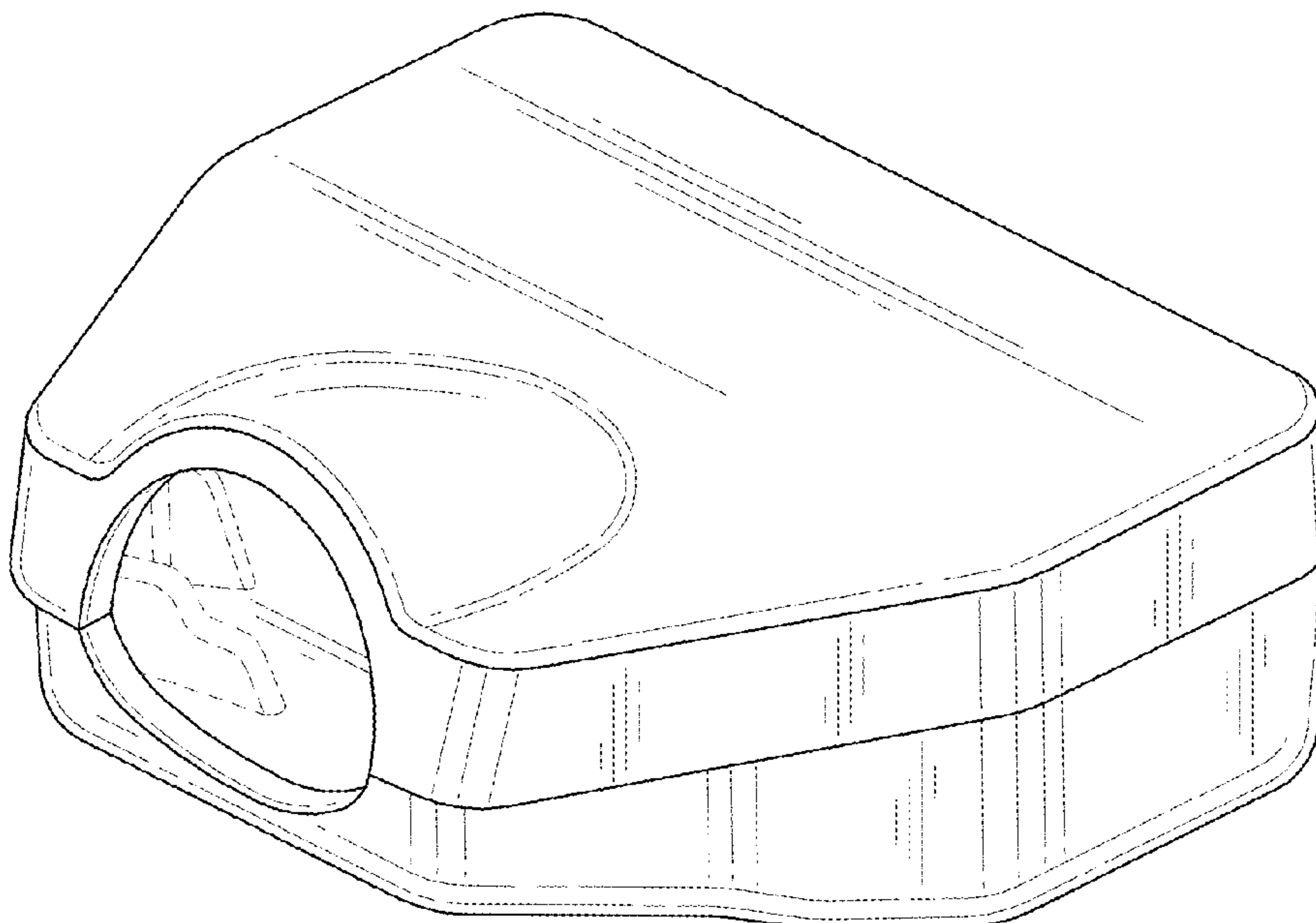
FIG. 6 is a rear elevation of the razor travel cover of FIG. 1.

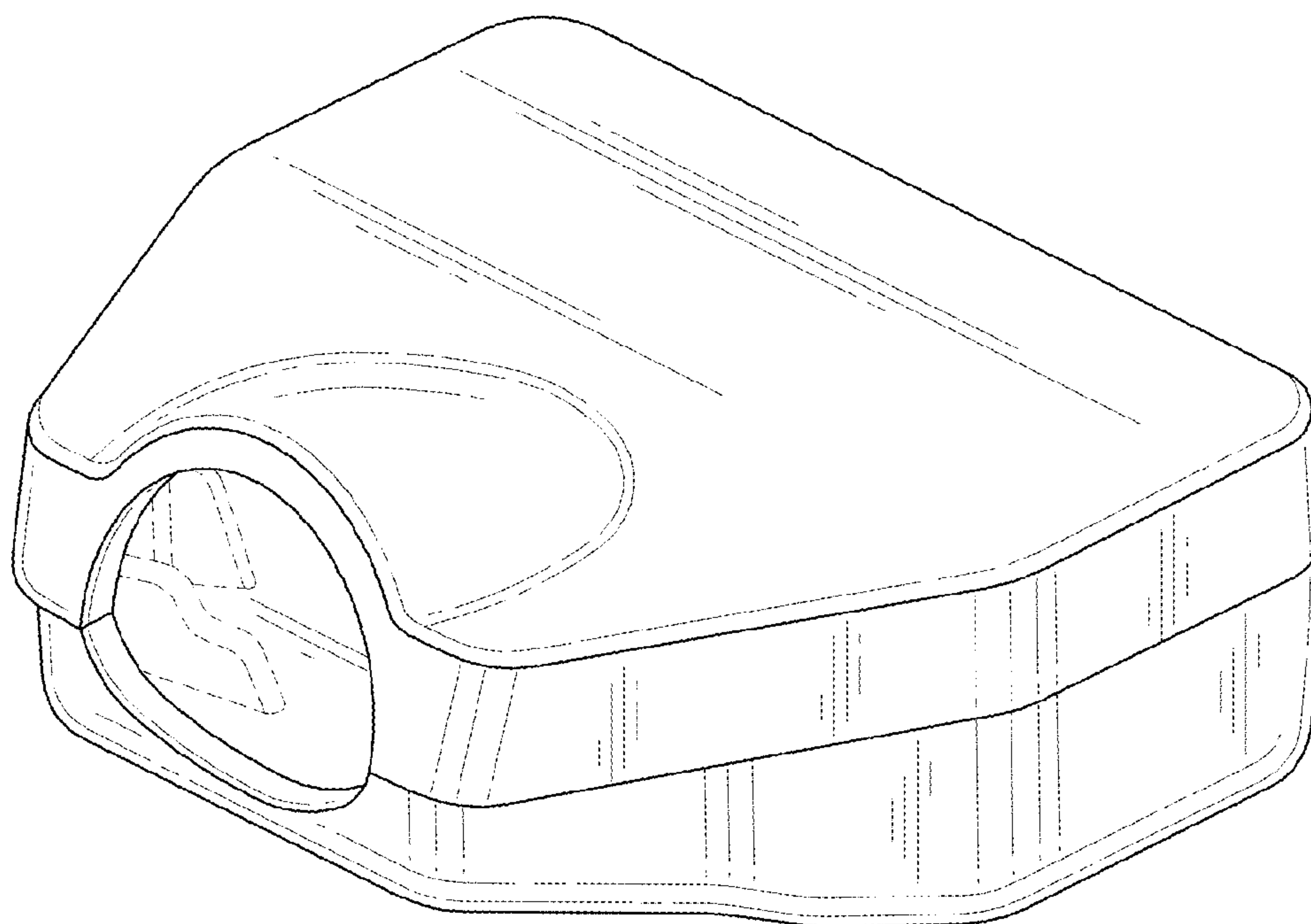
FIG. 7 is a front elevation of the razor travel cover of FIG. 1; and,

FIG. 8 is a perspective view of the razor travel cover of the present invention in its open configuration.

The broken lines depict parts of the razor travel case that form no part of the claimed design.

**1 Claim, 8 Drawing Sheets**





*FIG. 1*

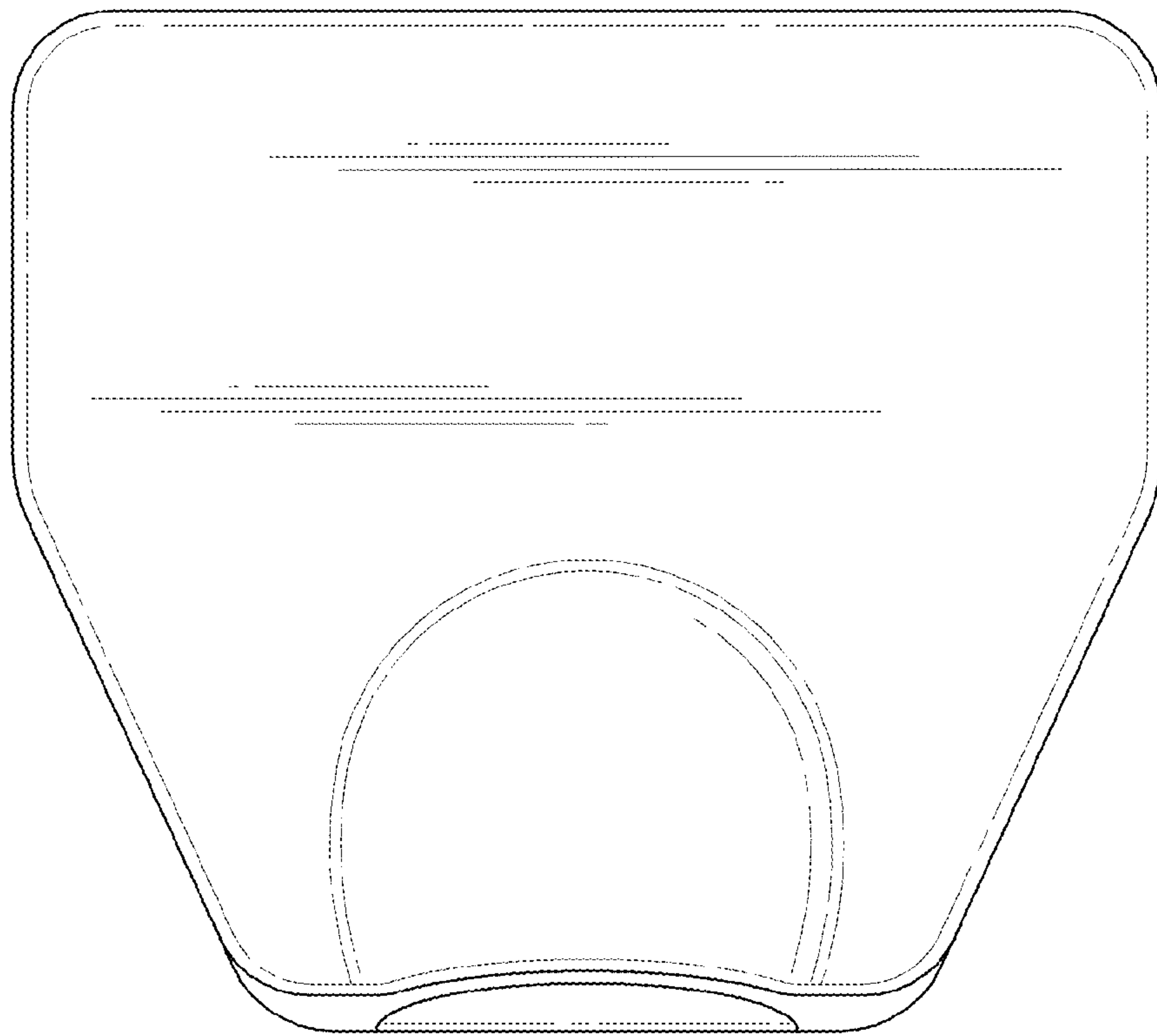


FIG. 2

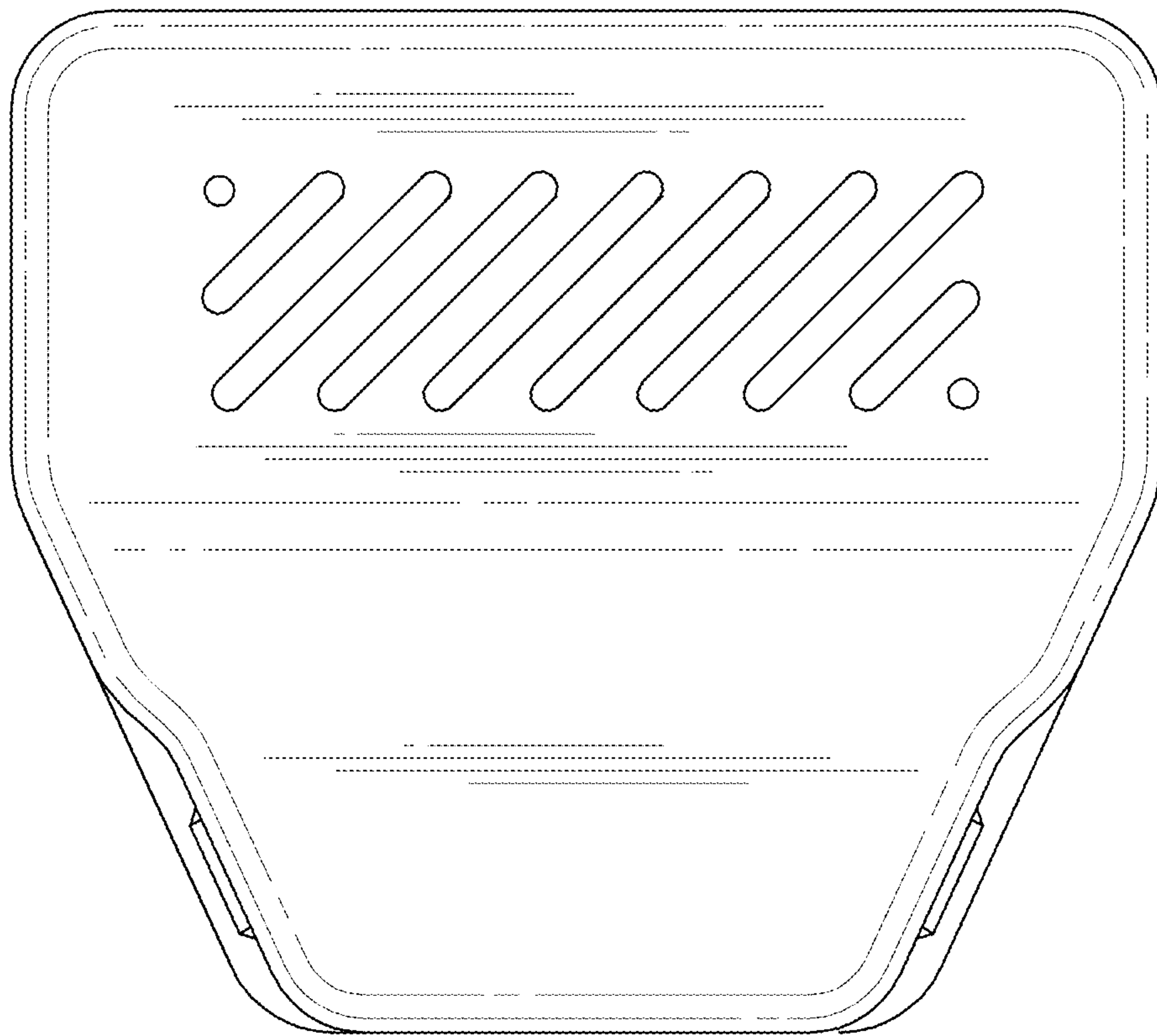
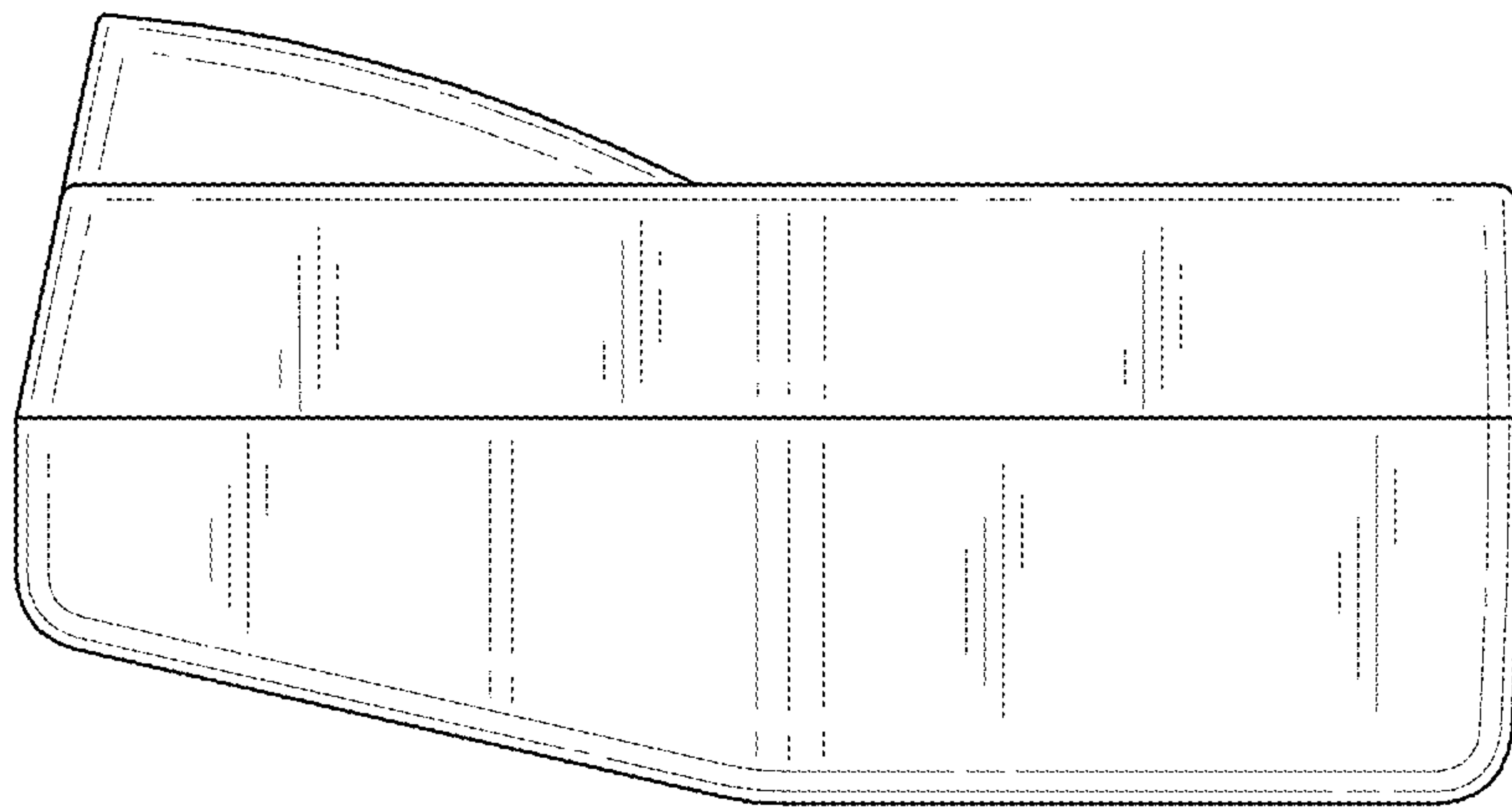
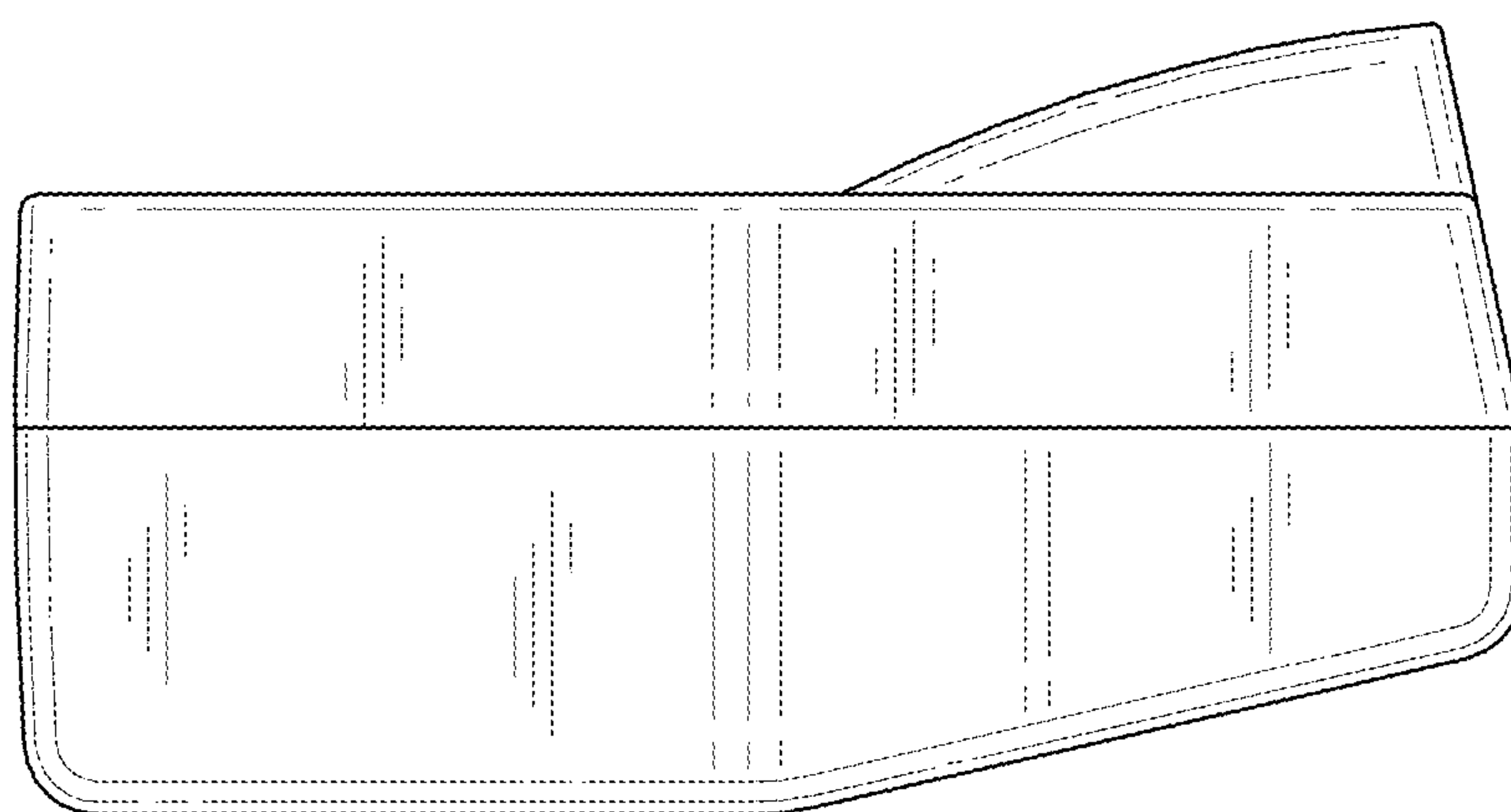


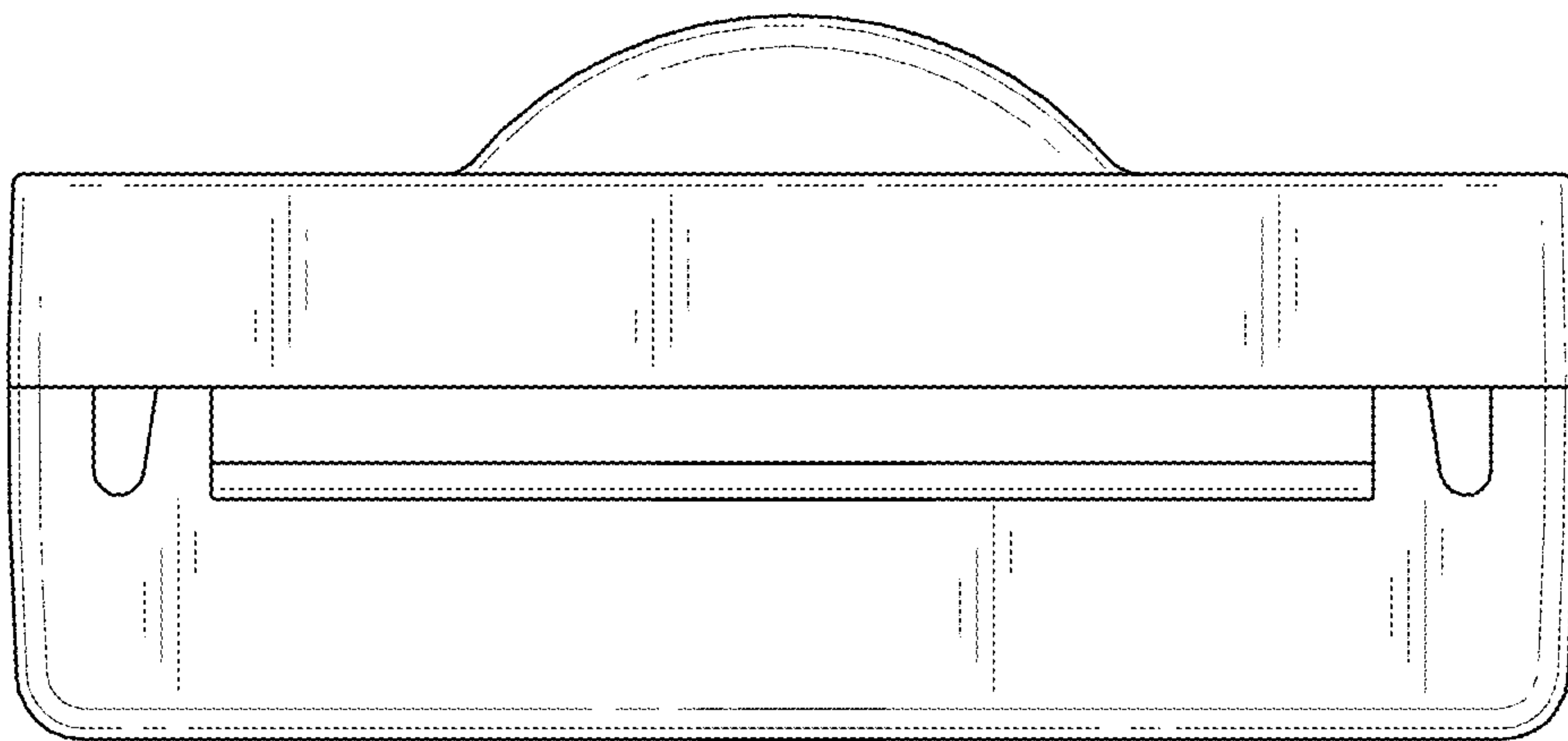
FIG. 3



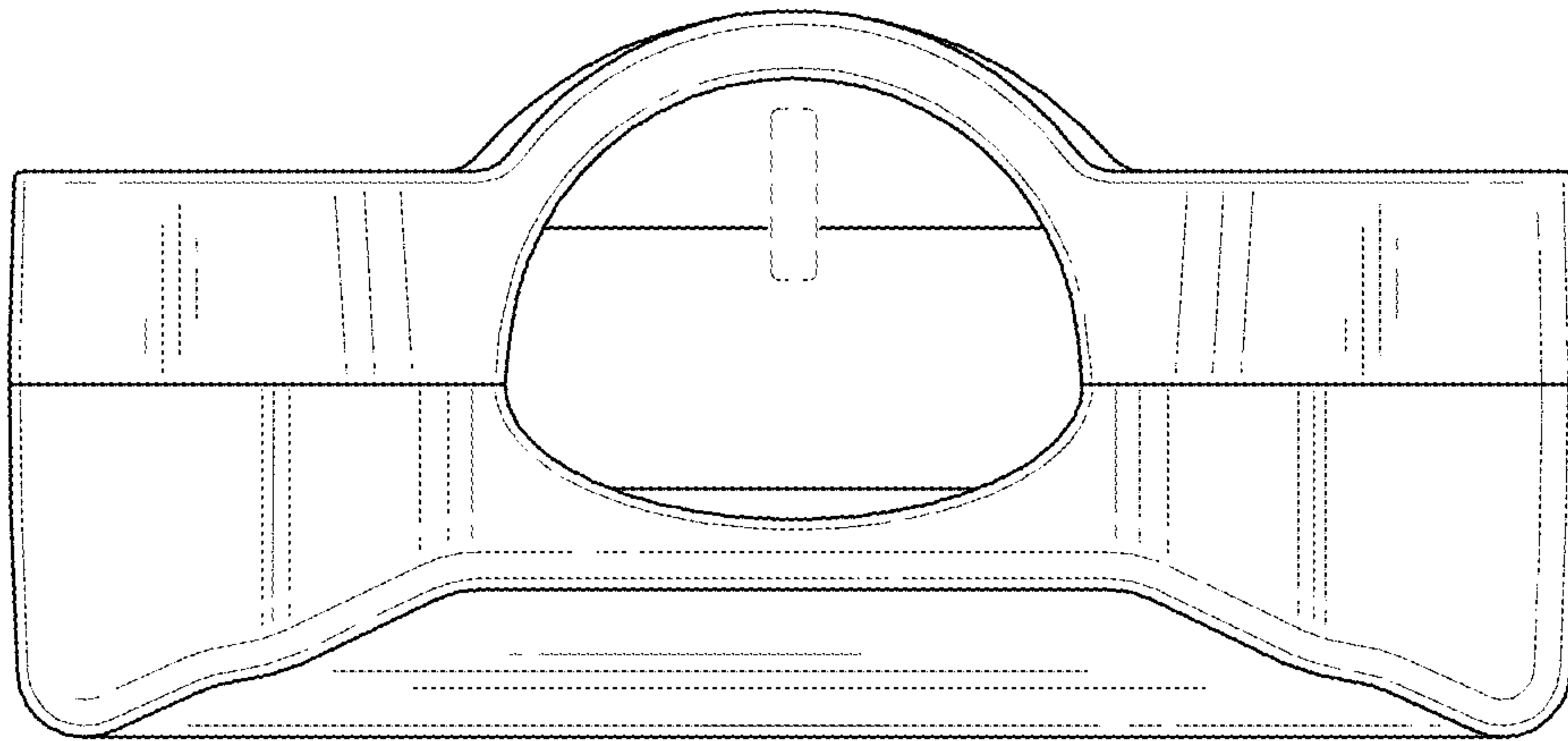
*FIG. 4*



*FIG. 5*

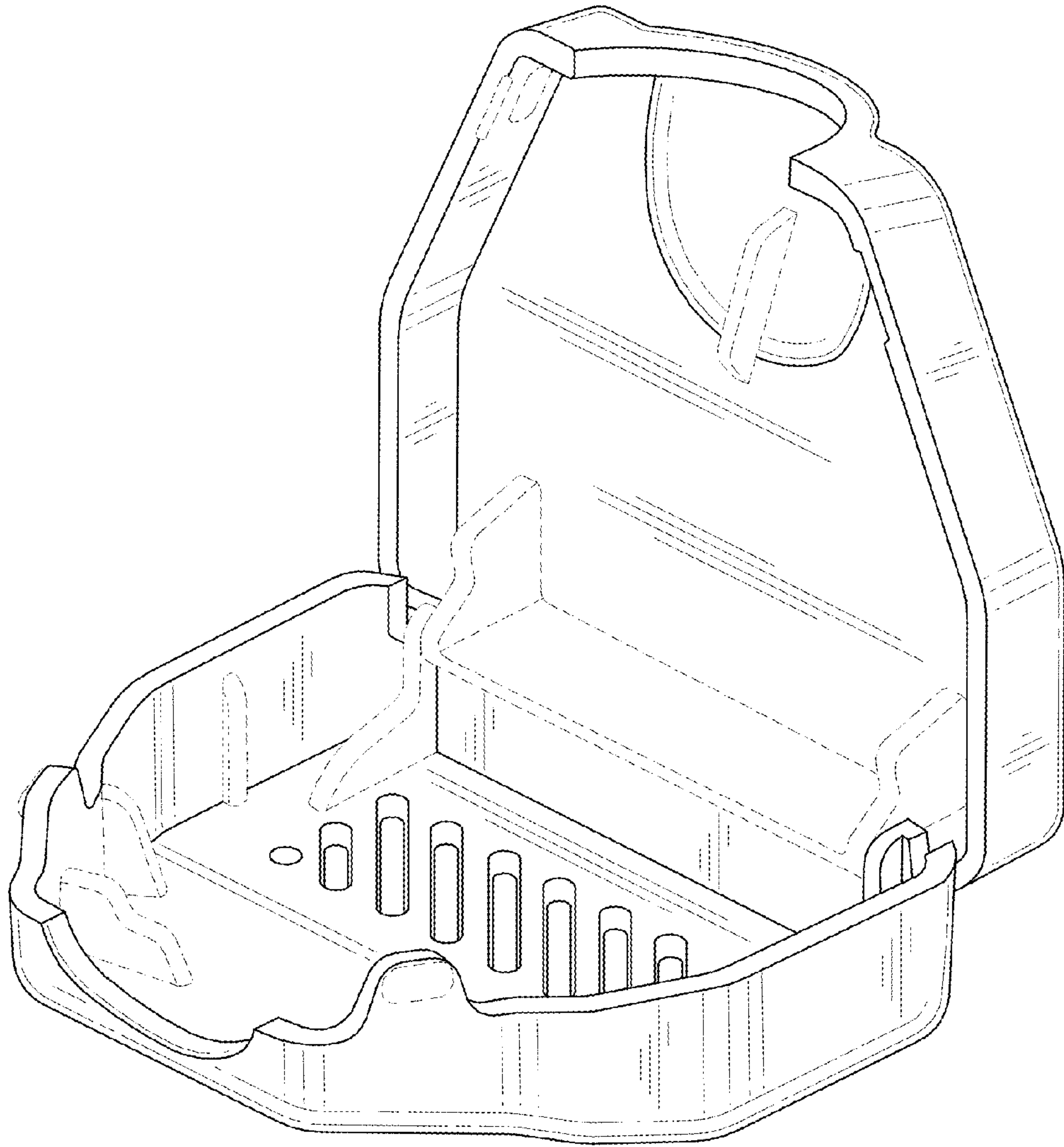


*FIG. 6*



*FIG. 7*





*FIG. 8*