



US00D744742S

(12) **United States Design Patent**  
**You**

(10) **Patent No.:** **US D744,742 S**  
(45) **Date of Patent:** **\*\* Dec. 8, 2015**

(54) **UMBRELLA STICK**

(71) Applicant: **Ching-Chuan You**, Taipei (TW)

(72) Inventor: **Ching-Chuan You**, Taipei (TW)

(\*\*) Term: **14 Years**

(21) Appl. No.: **29/471,757**

(22) Filed: **Nov. 5, 2013**

(51) **LOC (10) Cl.** ..... **03-03**

(52) **U.S. Cl.**  
USPC ..... **D3/10**

(58) **Field of Classification Search**  
USPC ..... D3/5, 7, 10; D14/302, 446; D16/131,  
D16/132, 136, 245, 250, 367; 135/16, 22,  
135/24, 25.4

See application file for complete search history.

(56) **References Cited**

**U.S. PATENT DOCUMENTS**

3,677,274	A *	7/1972	Yasuda et al.	135/24
3,729,012	A *	4/1973	Weber	135/25.4
3,828,805	A *	8/1974	Thur	135/22
D304,260	S *	10/1989	Schultes et al.	D3/10
D583,425	S *	12/2008	Kushner	D21/686
D673,359	S *	1/2013	Goldwasser et al.	D3/10
D685,568	S *	7/2013	You	D3/10
2009/0293925	A1 *	12/2009	You	135/24
2010/0269870	A1 *	10/2010	You	135/16
2014/0150834	A1 *	6/2014	Nootenboom	135/75

\* cited by examiner

*Primary Examiner* — Thomas Johannes  
*Assistant Examiner* — Catherine Posthauer

(57) **CLAIM**

The ornamental design for an umbrella stick, as shown and described.

**DESCRIPTION**

FIG. 1 is a perspective view showing my new design for an umbrella stick;

FIG. 2 is a front elevation view thereof;

FIG. 3 is a rear elevation view thereof;

FIG. 4 is a left side elevation view thereof;

FIG. 5 is a right side elevation view thereof;

FIG. 6 is a top plan view thereof;

FIG. 7 is a bottom plan view thereof;

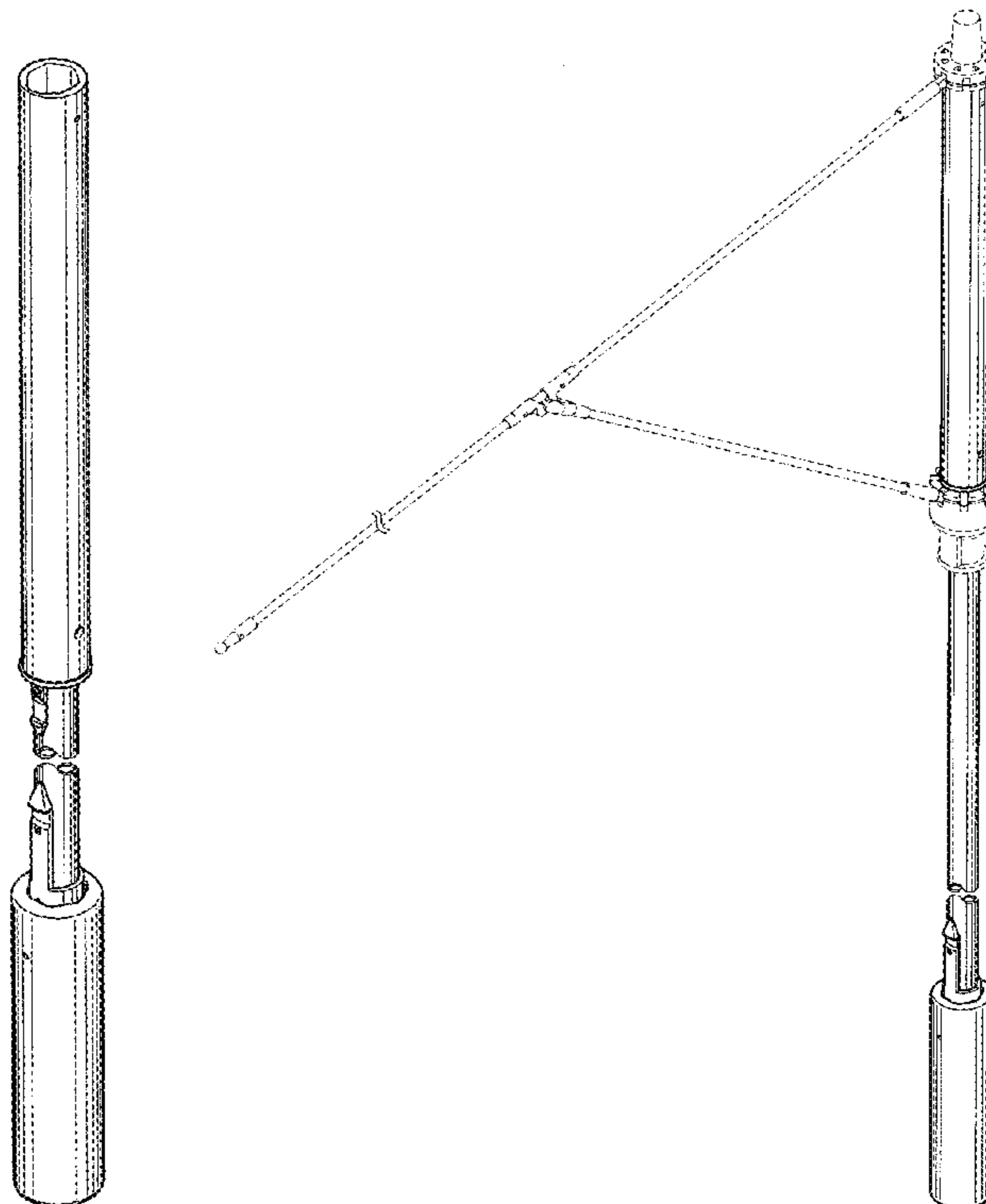
FIG. 8 is a perspective view of the umbrella stick in an unclaimed usage configuration, with broken lines added for illustrative clarity; and,

FIG. 9 is a perspective view of the umbrella stick in an unclaimed usage configuration, with broken lines added for illustrative clarity.

The broken away symbols in the drawings indicate that any portion of the article beyond what is shown forms no part of the claimed design.

The broken lines shown in the drawings are for the purpose of illustrating unclaimed portion of the umbrella stick and unclaimed environmental structure and form no parts of the claimed design.

**1 Claim, 6 Drawing Sheets**



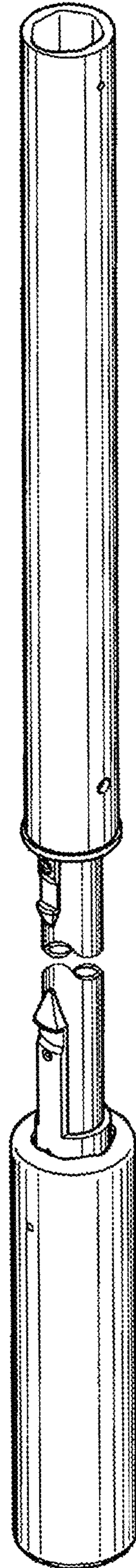


FIG.1

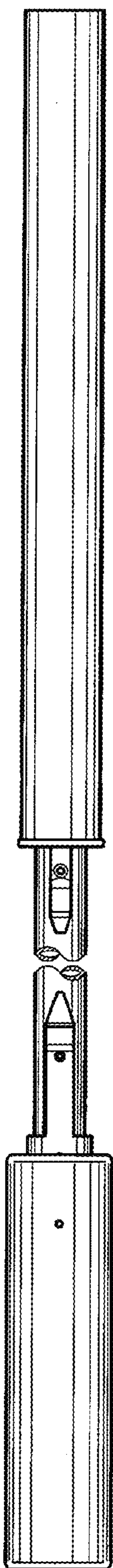


FIG. 2

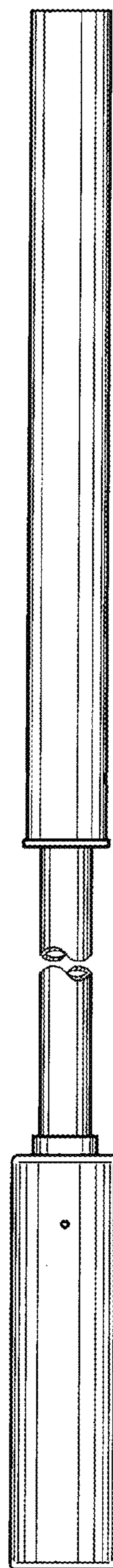


FIG. 3

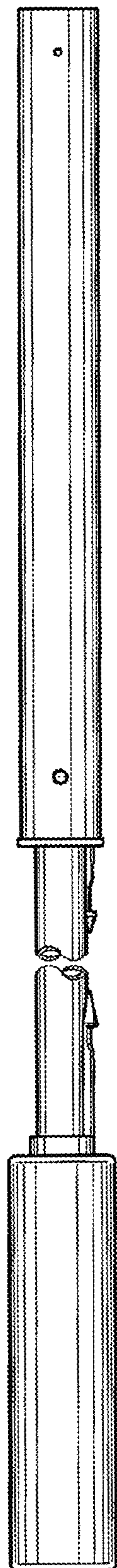


FIG. 4

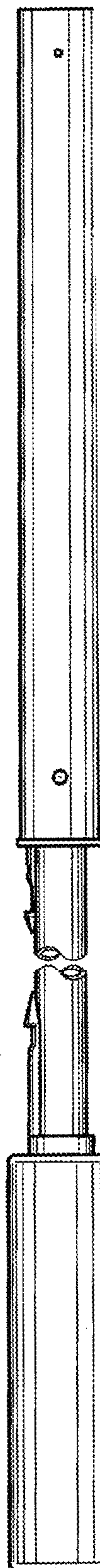


FIG. 5

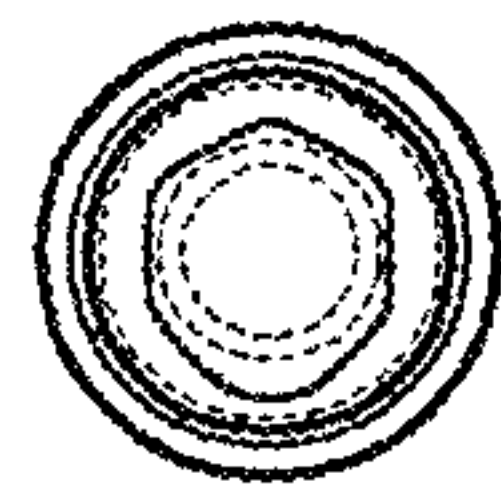


FIG.6

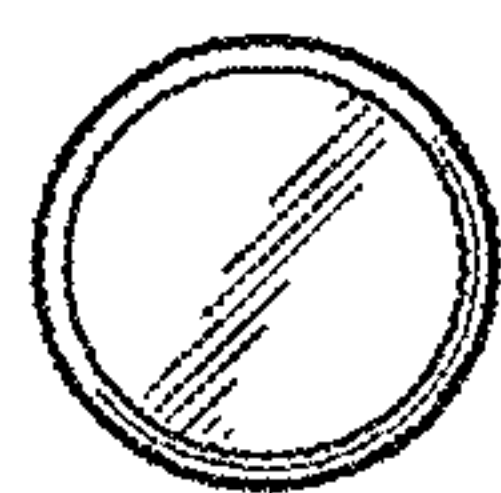


FIG.7



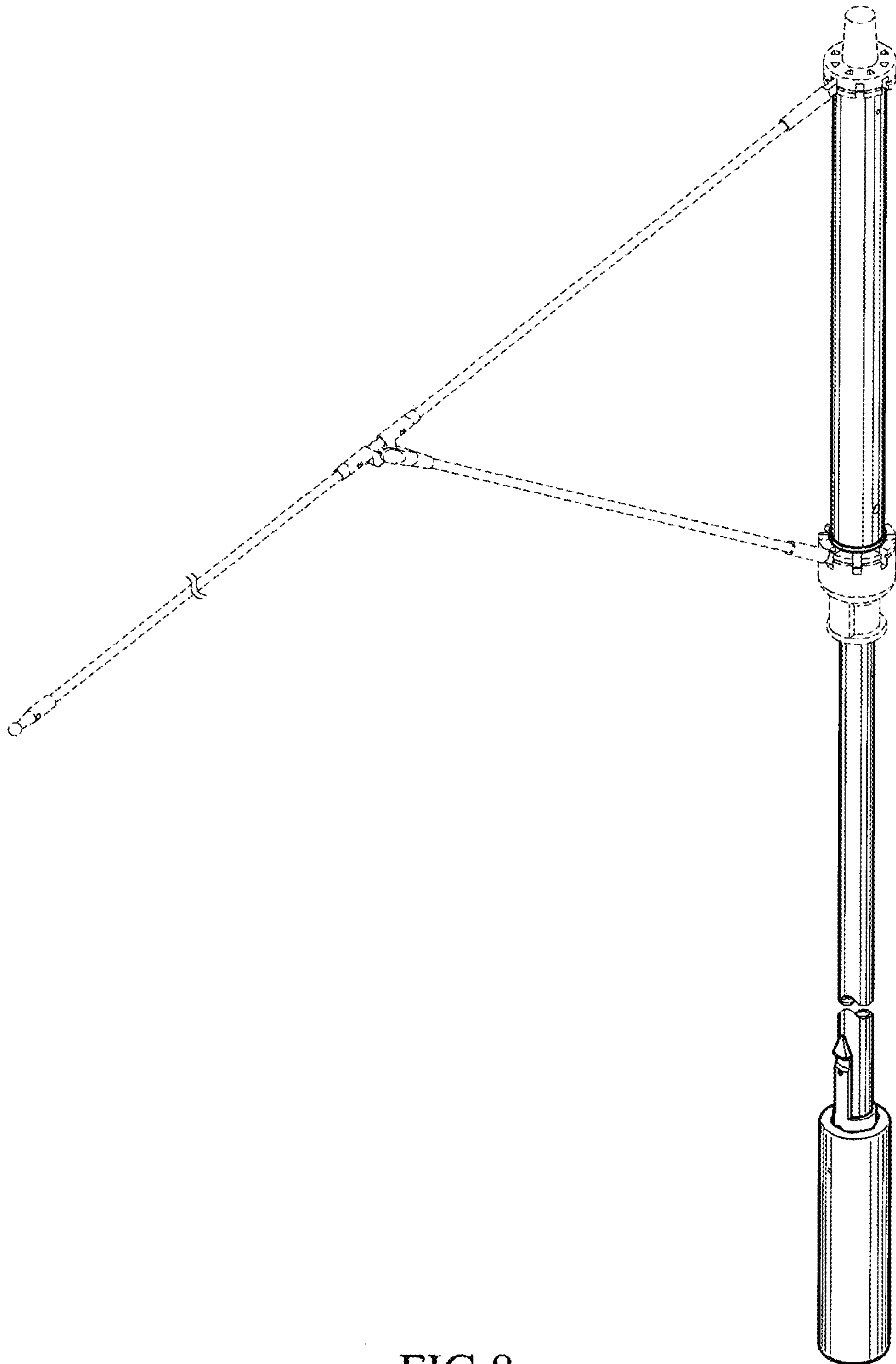


FIG.8

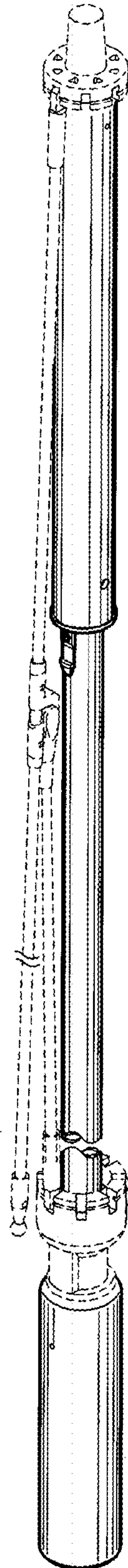


FIG.9