



US00D744726S

(12) **United States Design Patent**  
**Shirai**

(10) **Patent No.:** **US D744,726 S**  
(45) **Date of Patent:** **\*\* Dec. 8, 2015**

- (54) **HAT**
- (71) Applicant: **BUILMATEL CO., LTD.**, Tokyo (JP)
- (72) Inventor: **Syoji Shirai**, Tokyo (JP)
- (73) Assignee: **BUILMATEL CO., LTD.**, Tokyo (JP)
- (\*\*) Term: **14 Years**
- (21) Appl. No.: **29/487,526**
- (22) Filed: **Apr. 9, 2014**

(30) **Foreign Application Priority Data**

Oct. 10, 2013 (JP) ..... 2013-023730

(51) **LOC (10) Cl.** ..... **02-03**

(52) **U.S. Cl.**  
USPC ..... **D2/876**

(58) **Field of Classification Search**  
USPC ..... D2/865-895; 2/171, 181, 183, 209.12,  
2/209.13, 195.1, 195.2, 195.3, 195.6, 10,  
2/422, 425  
CPC ..... A42B 1/248; A42B 1/24; A42B 1/00;  
A42B 1/004; A42B 1/244; A42B 1/245;  
A42B 1/006; A42B 1/04; A42B 1/062;  
A42B 1/063; A42B 1/064; A42B 1/22  
See application file for complete search history.

(56) **References Cited**

**U.S. PATENT DOCUMENTS**

- 3,266,056 A \* 8/1966 De Villers ..... A42B 1/208  
2/12
- D206,191 S \* 11/1966 Lawrence ..... D2/876
- D246,272 S \* 11/1977 Bay ..... D2/893
- D257,184 S \* 10/1980 Peham ..... D2/872
- 4,724,546 A \* 2/1988 Cumbie, Jr. .... A42B 1/247  
2/12
- D299,767 S \* 2/1989 Hsin ..... D16/312
- D315,224 S \* 3/1991 Curlee ..... D28/18
- 5,487,191 A \* 1/1996 Ridley ..... A42C 5/04  
2/10
- D459,861 S \* 7/2002 Park ..... D2/876
- D469,947 S \* 2/2003 Park ..... D2/882

- D474,002 S \* 5/2003 Park ..... D2/882
- D563,081 S \* 3/2008 Van Trojen ..... D2/866
- D630,824 S \* 1/2011 Thomas ..... D2/893
- D658,854 S \* 5/2012 Cobb ..... D2/882
- D664,743 S \* 8/2012 Kanellakis ..... D2/893
- 8,434,166 B2 \* 5/2013 Friton ..... A42B 1/06  
2/171.03
- D728,203 S \* 5/2015 Bono ..... D2/893
- D729,457 S \* 5/2015 Kim ..... D29/108
- 2007/0061937 A1 \* 3/2007 Curle ..... A42B 1/062  
2/12
- 2011/0088141 A1 \* 4/2011 Davis ..... A42B 1/064  
2/195.1
- 2015/0000008 A1 \* 1/2015 Shirai ..... A42B 1/008  
2/195.1

\* cited by examiner

*Primary Examiner* — Karen E. Eldridge Powers

*Assistant Examiner* — Kimberly Barnes

(74) *Attorney, Agent, or Firm* — Muncy, Geissler, Olds & Lowe, P.C.

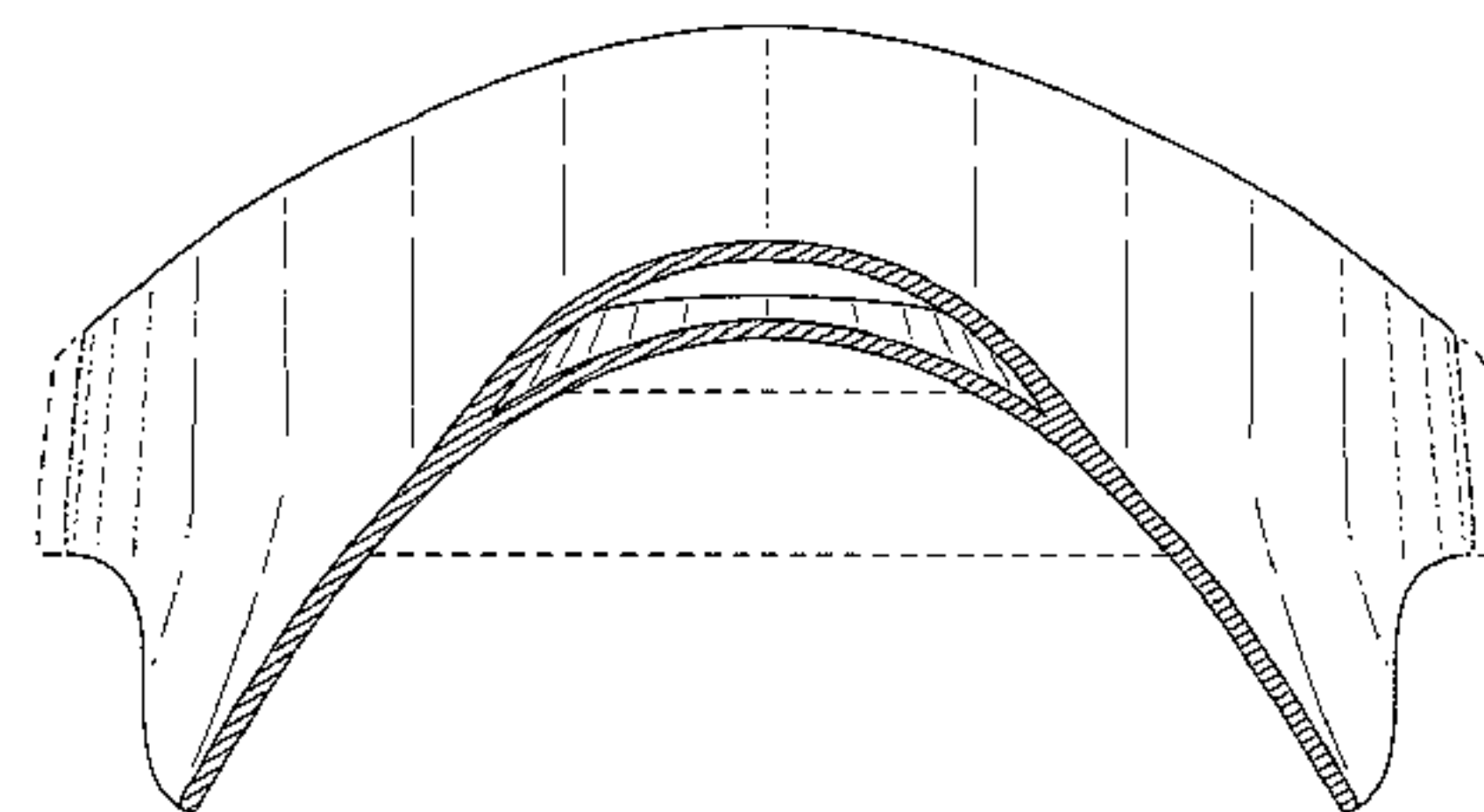
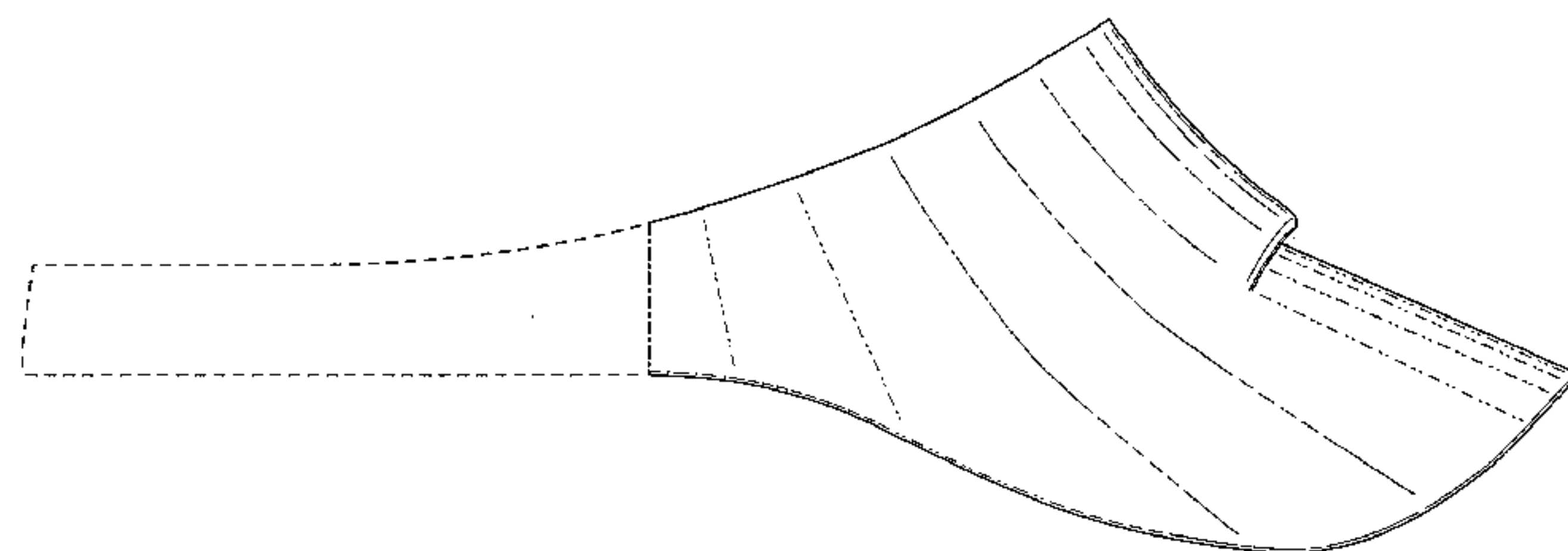
(57) **CLAIM**

The ornamental design for a hat, as shown and described.

**DESCRIPTION**

FIG. 1 is a right side elevational view of a hat showing my new design;  
 FIG. 2 is a top plan view thereof;  
 FIG. 3 is a front elevational view thereof;  
 FIG. 4 is a rear elevational view thereof;  
 FIG. 5 is a left side elevational view thereof;  
 FIG. 6 is a bottom plan view thereof;  
 FIG. 7 is a top, front, right perspective view thereof;  
 FIG. 8 is a bottom, rear, left perspective view thereof;  
 FIG. 9 is cross-sectional view taken along line 9-9 of FIG. 2;  
 FIG. 10 is cross-sectional view taken along line 10-10 of FIG. 2;  
 FIG. 11 is cross-sectional view taken along line 11-11 of FIG. 2; and,  
 FIG. 12 is cross-sectional view taken along line 12-12 of FIG. 2.  
 The broken line showing is for the purpose of illustrating environment structure and forms no part of the claimed design.

**1 Claim, 12 Drawing Sheets**



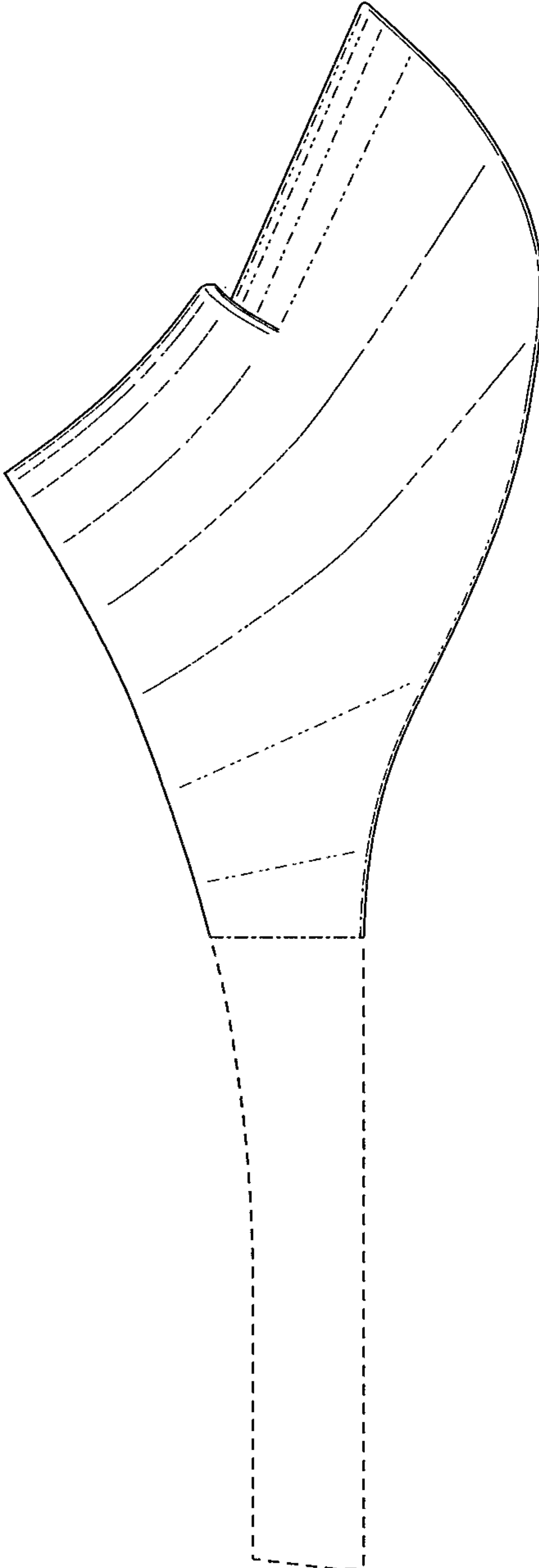


FIG.1

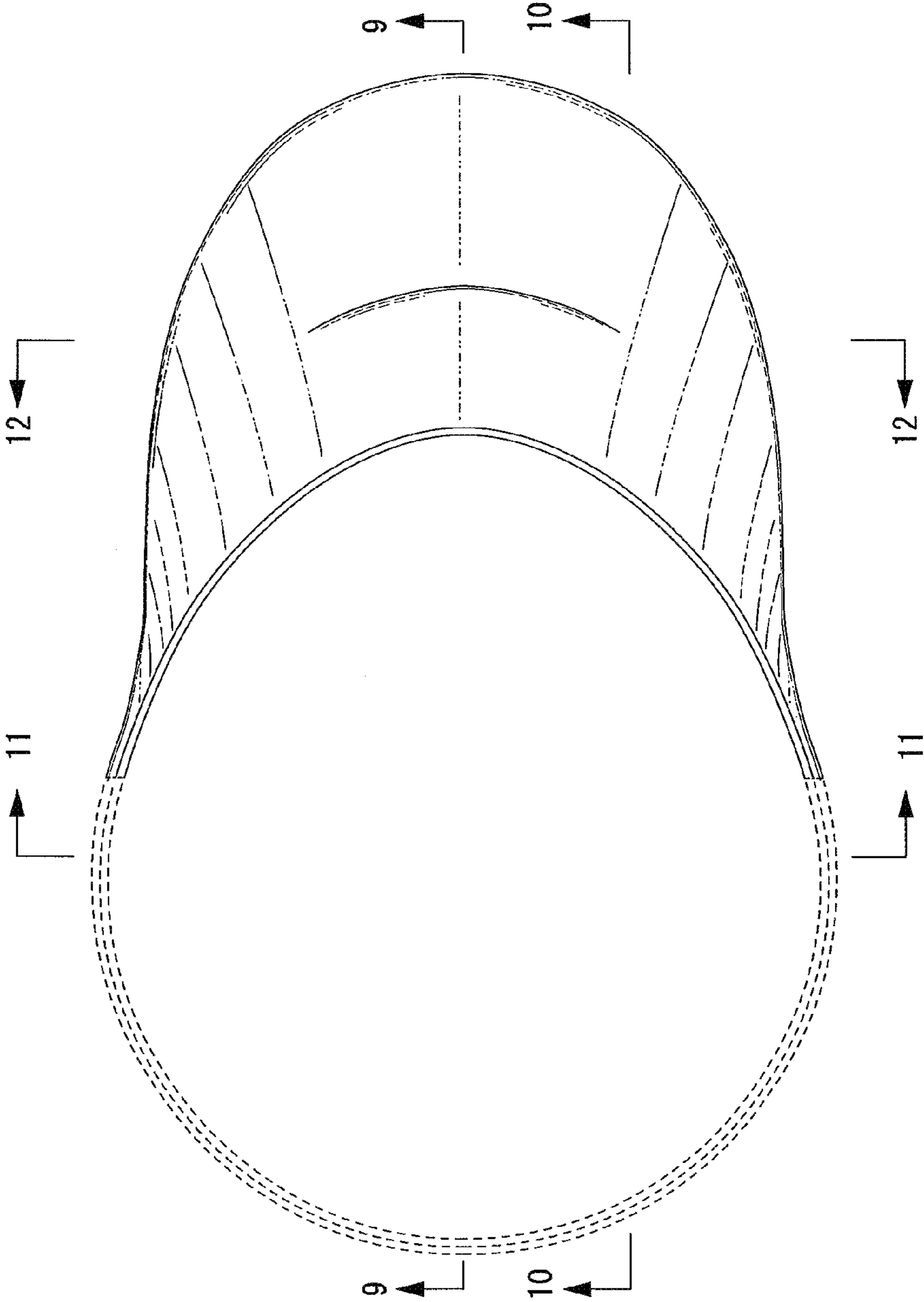


FIG.2

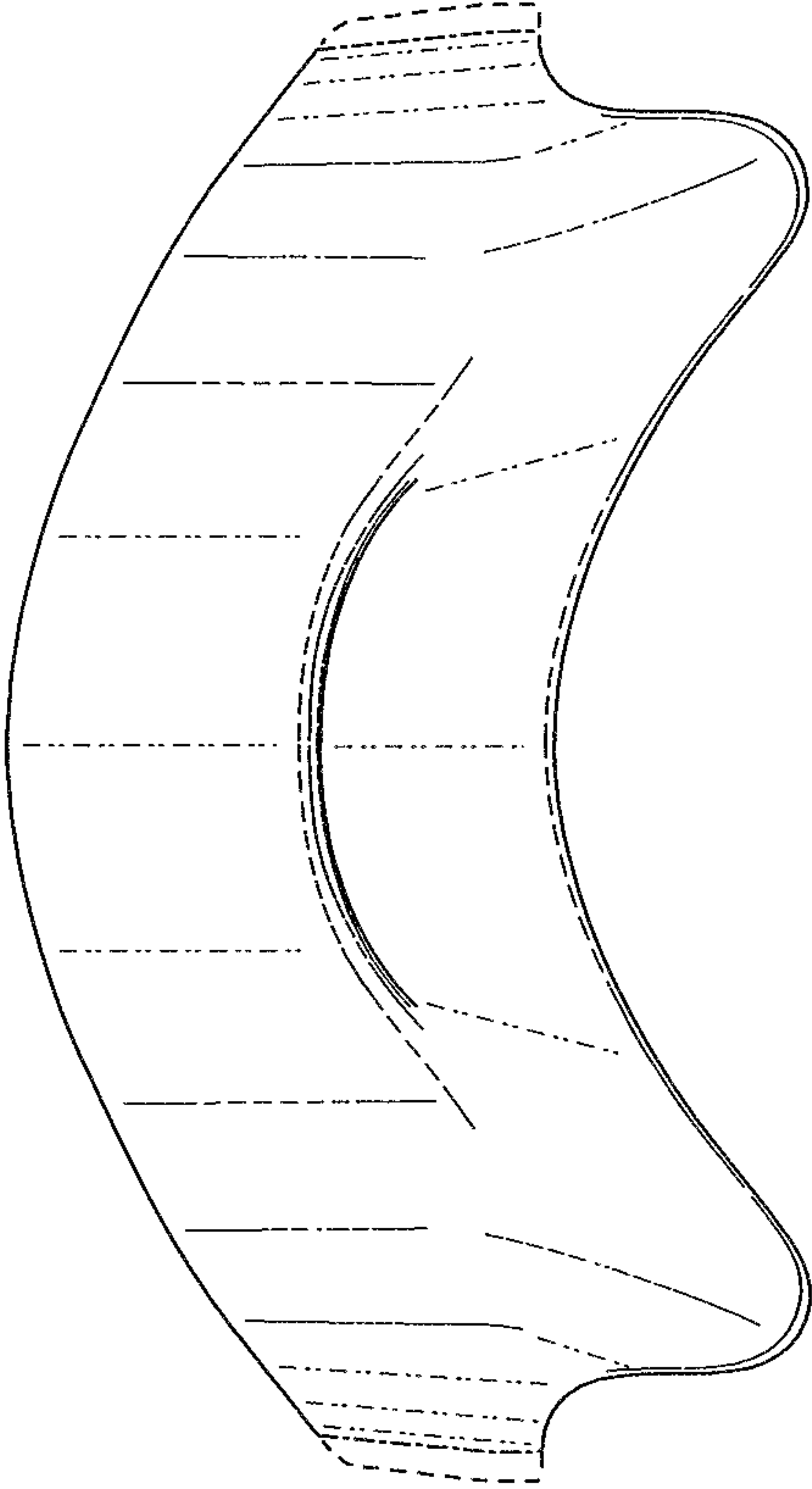


FIG.3

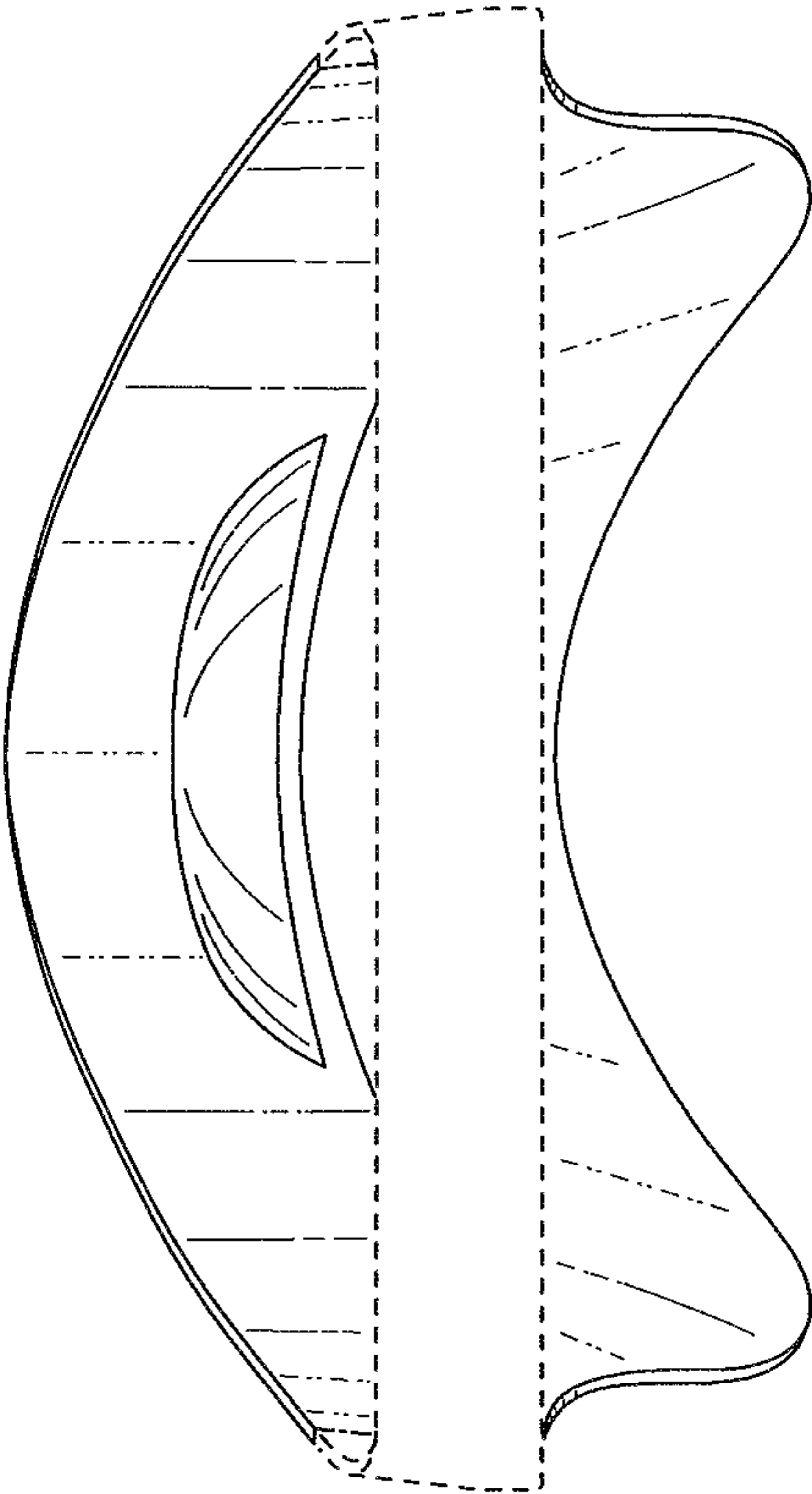


FIG.4

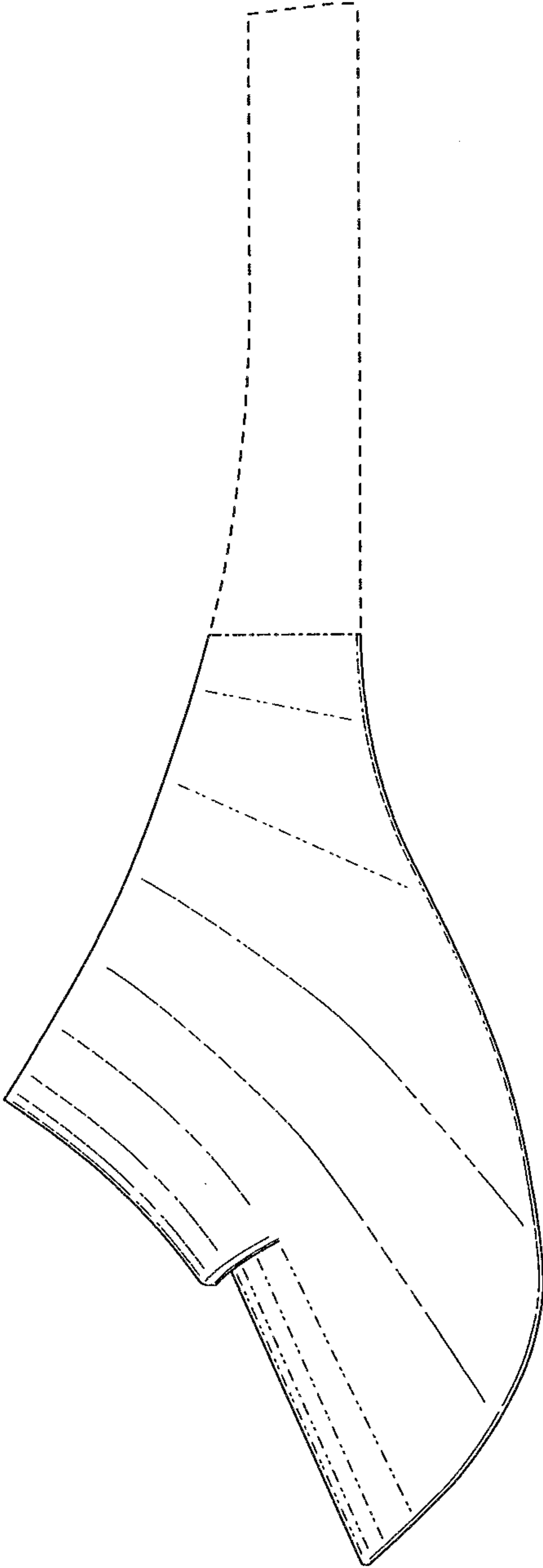


FIG.5

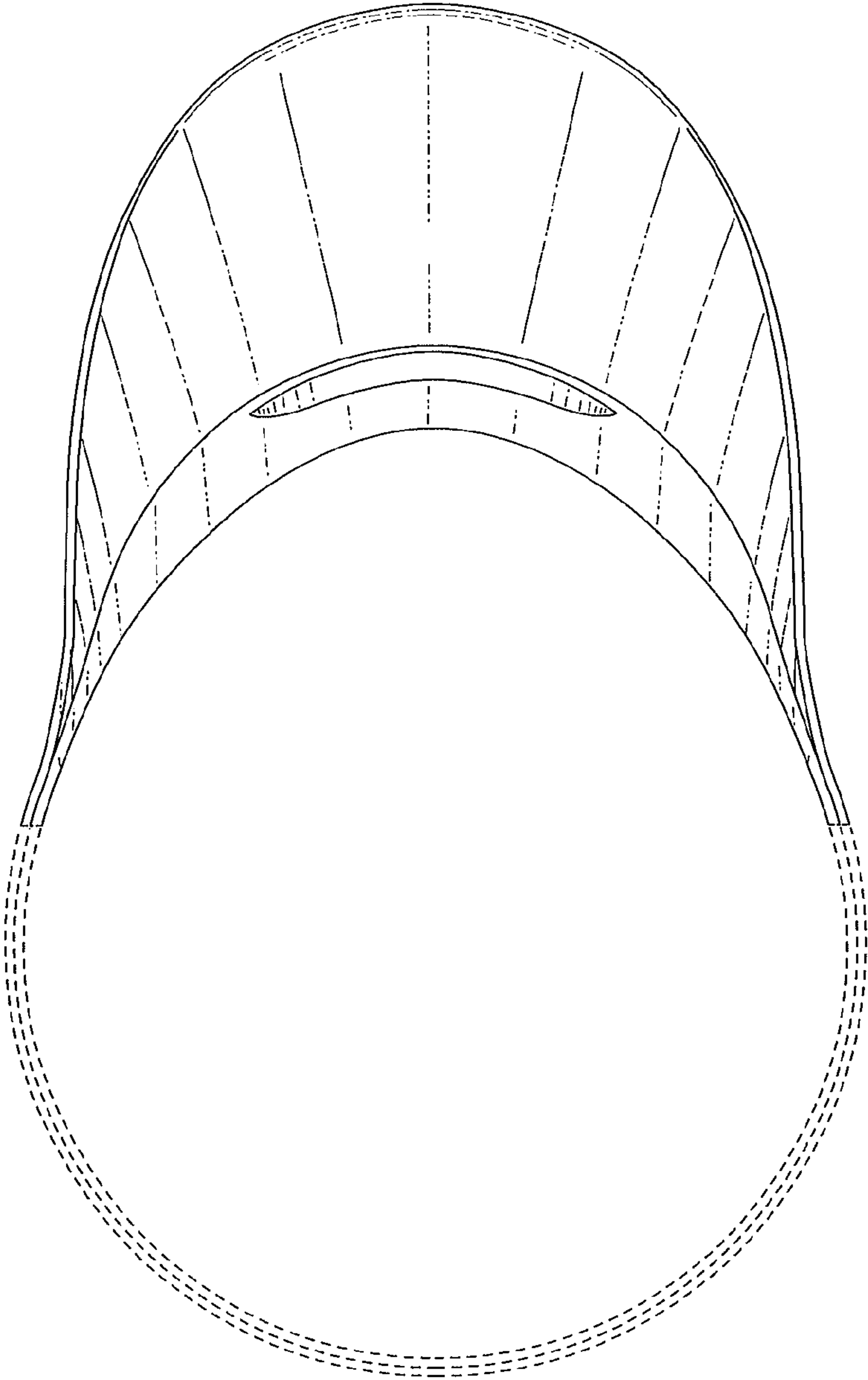


FIG.6



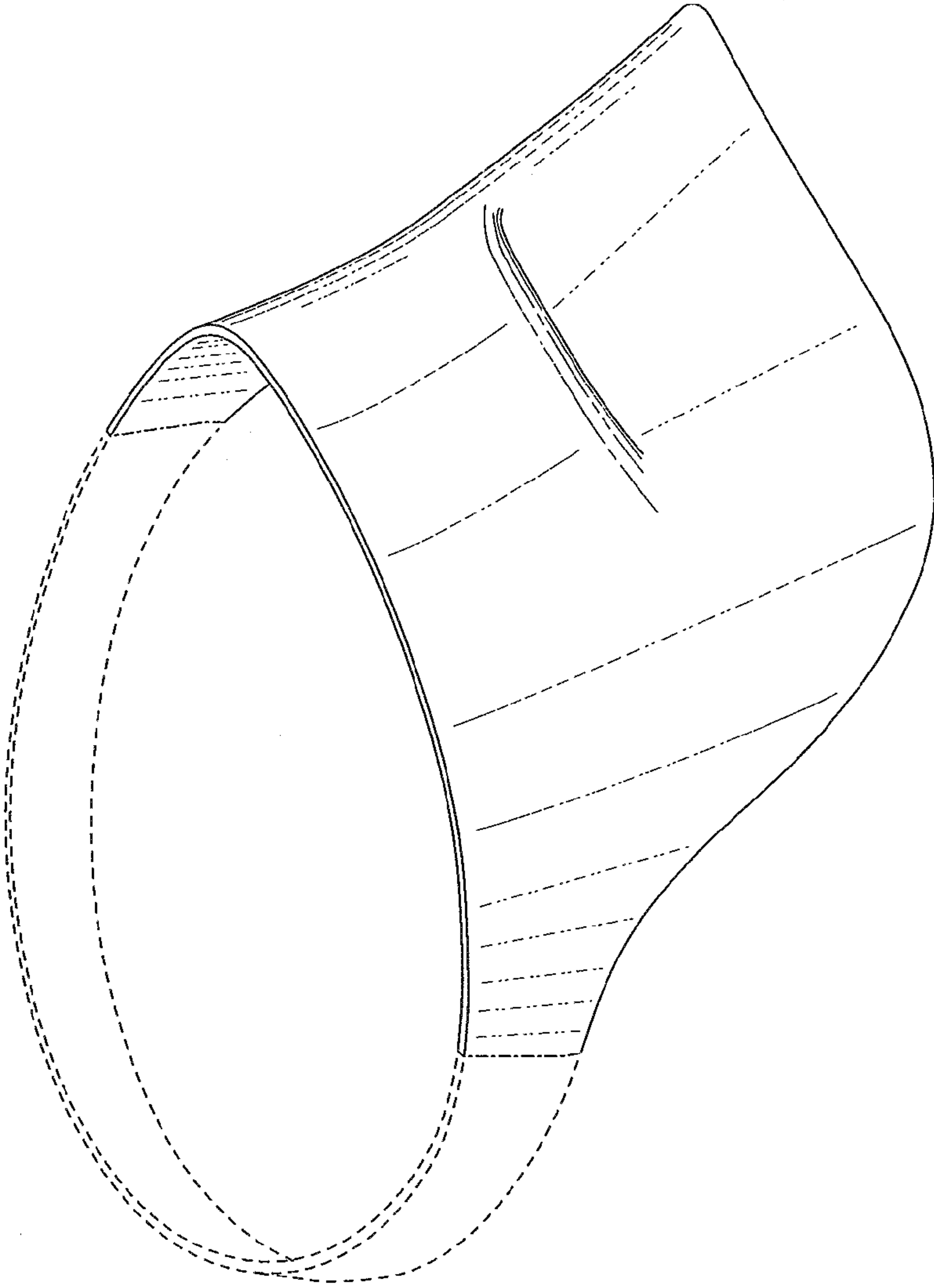


FIG.7



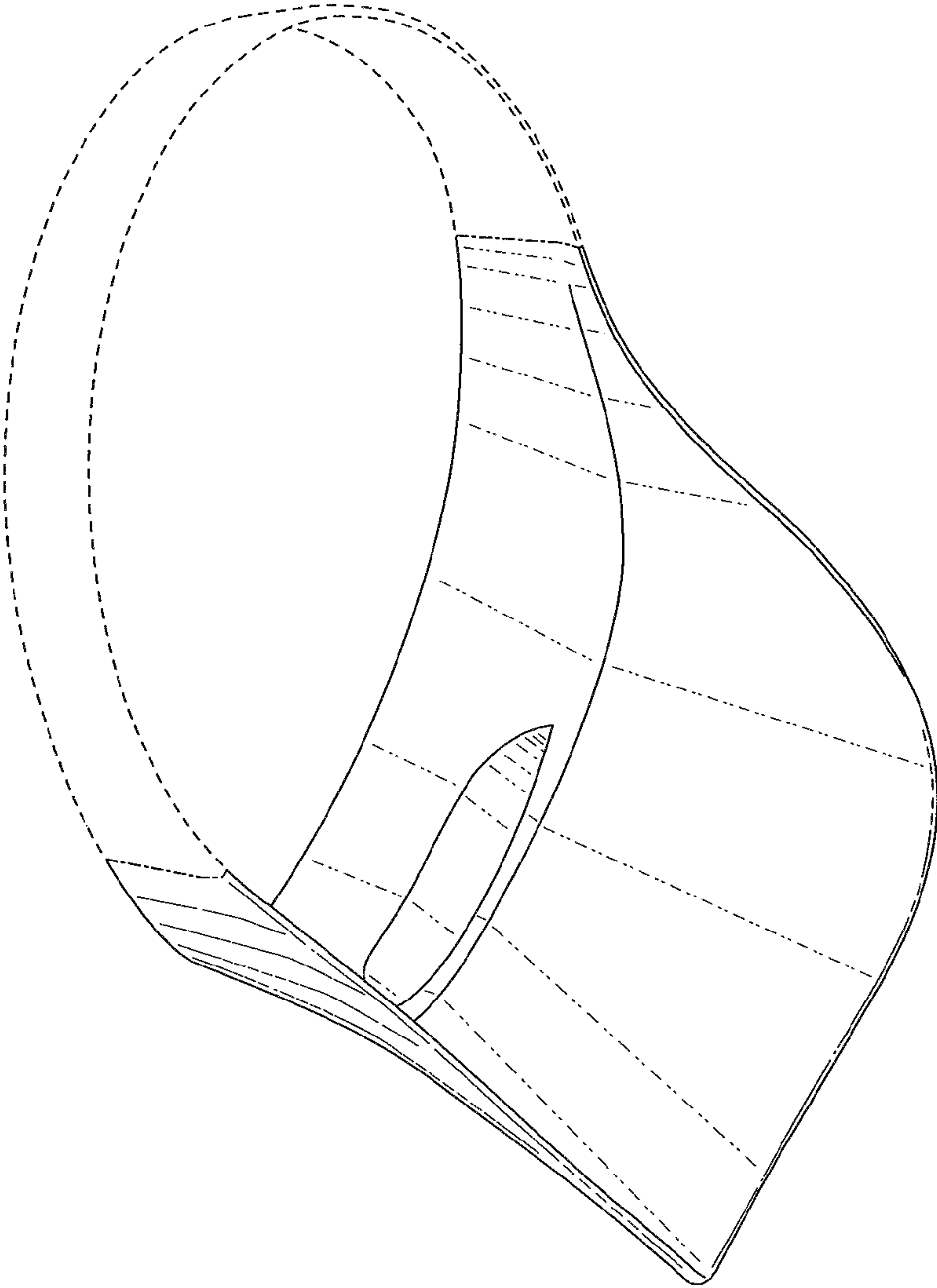


FIG.8

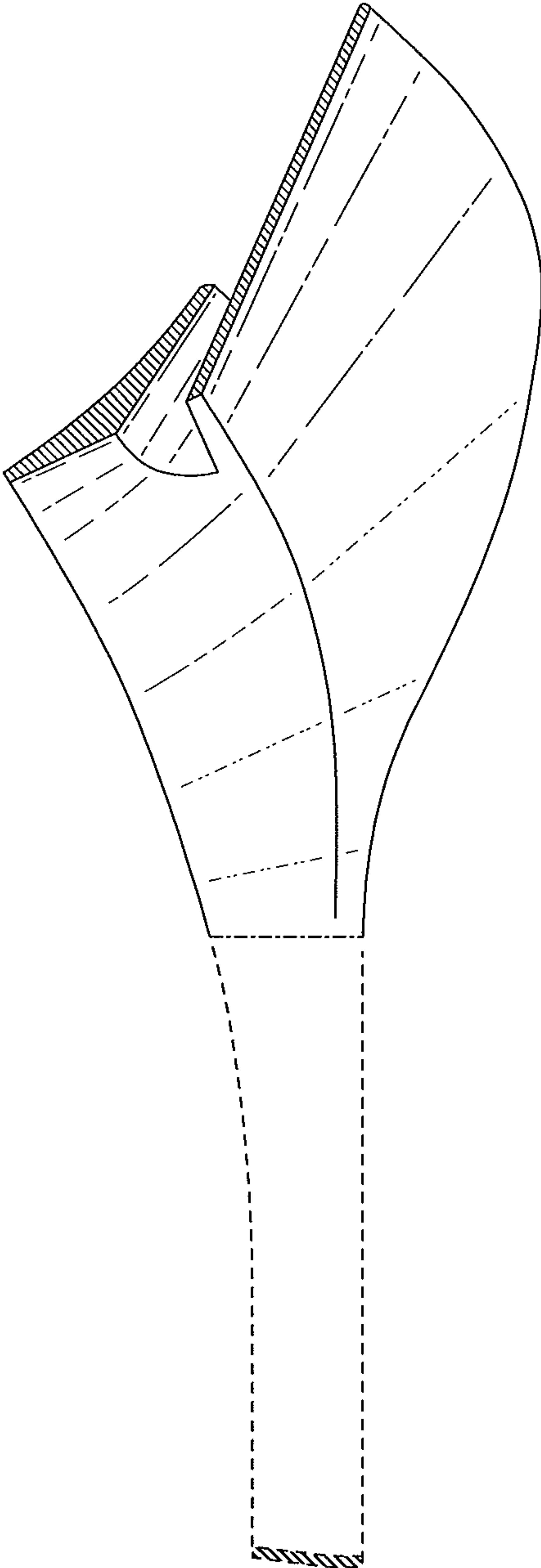


FIG.9

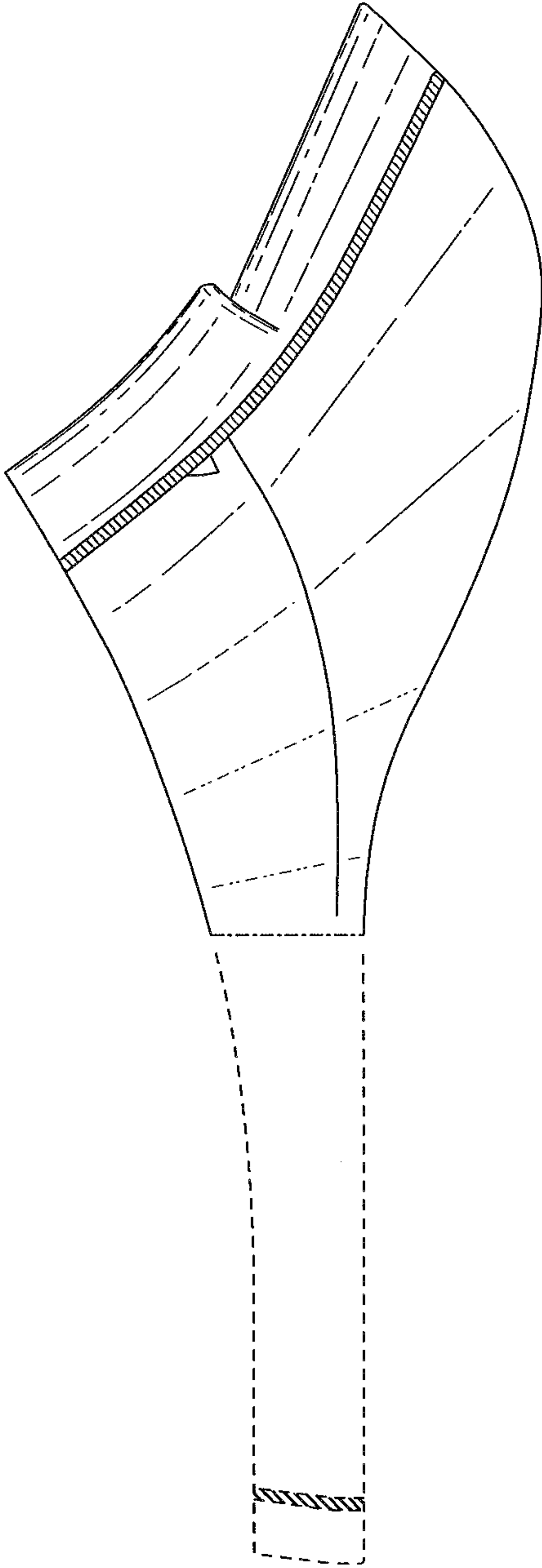


FIG.10

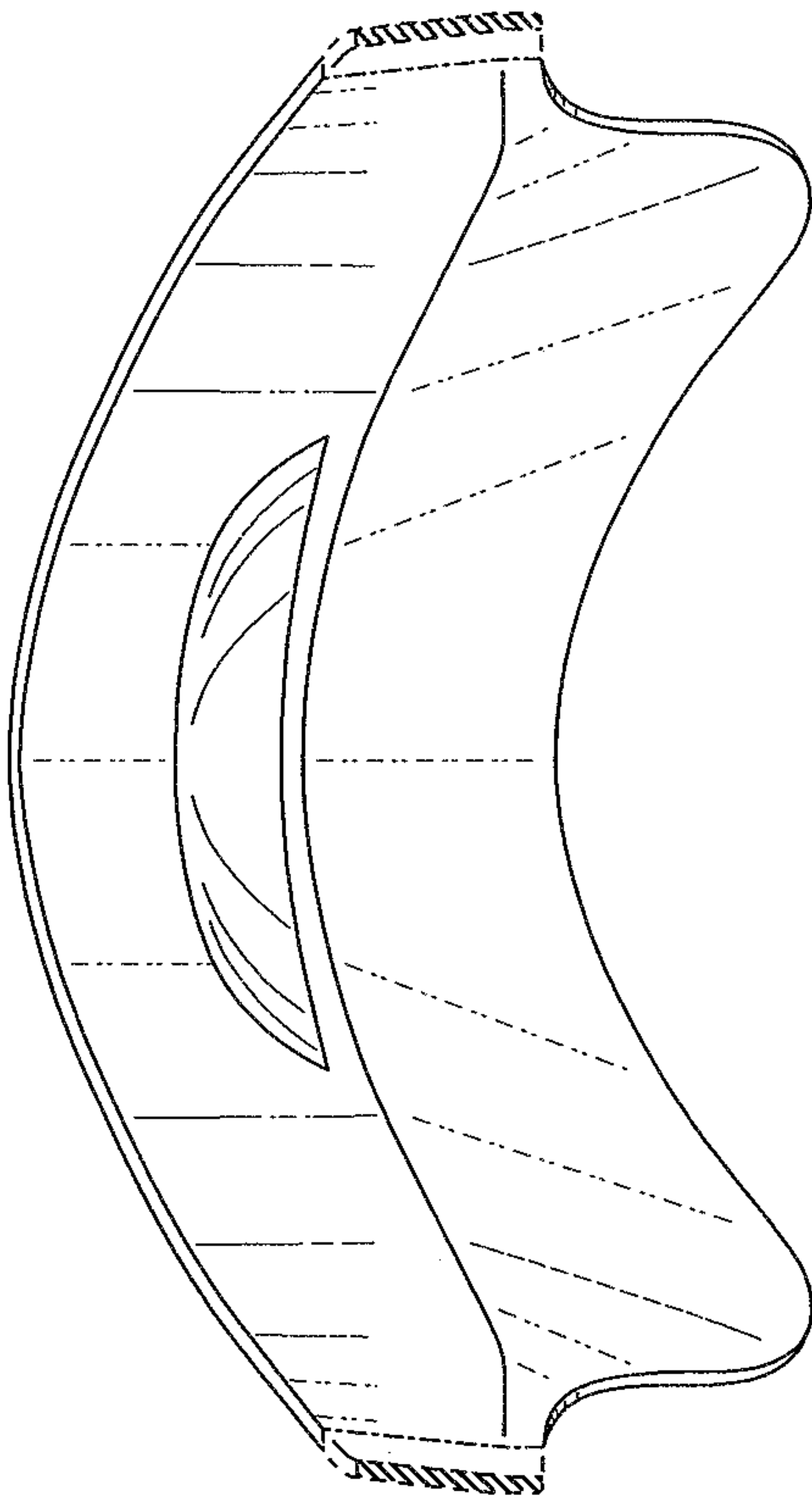


FIG.11

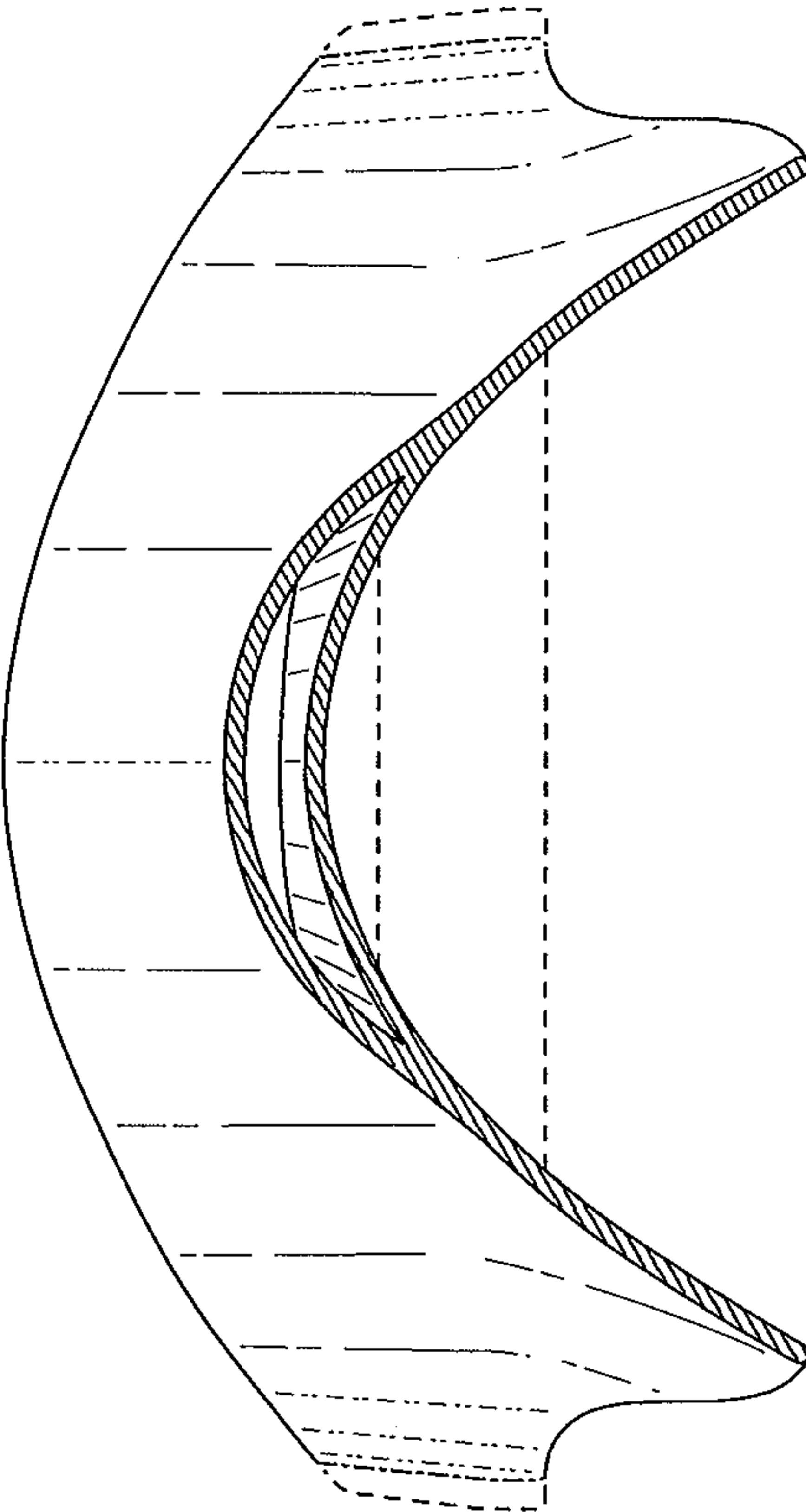


FIG.12