



US00D744718S

(12) **United States Design Patent**
Randall

(10) **Patent No.:** **US D744,718 S**
(45) **Date of Patent:** **** Dec. 8, 2015**

(54) **BRASSIERE**

(71) Applicant: **Victoria's Secret Stores Brand Management, Inc.**, Reynoldsburg, OH (US)

(72) Inventor: **Tracey Randall**, New York, NY (US)

(73) Assignee: **Victoria's Secret Stores Brand Management, Inc.**, Reynoldsburg, OH (US)

(**) Term: **14 Years**

(21) Appl. No.: **29/485,615**

(22) Filed: **Mar. 20, 2014**

(51) **LOC (10) Cl.** **02-01**

(52) **U.S. Cl.**
USPC **D2/709**

(58) **Field of Classification Search**
USPC D2/706, 707, 708, 709, 710, 731, 736, D2/737, 829; 2/67, 69, 109, 110, 112; 450/1, 2, 3, 28, 30, 31, 32, 36, 39, 58, 450/63, 70, 71, 75, 80, 82
CPC A41C 3/00; A41C 3/0028; A41C 3/0057; A41C 3/02; A41C 3/08; A41C 3/12; A41D 13/0017; A41F 1/006
See application file for complete search history.

(56) **References Cited**

U.S. PATENT DOCUMENTS

D45,287 S	2/1914	Burns et al.
2,390,142 A	12/1945	Witkower
2,609,540 A	9/1952	Lo Cascio
4,538,614 A	9/1985	Henderson
4,816,005 A	3/1989	Braaten
D403,486 S	1/1999	Chetwynd
5,946,726 A	9/1999	Green
6,165,045 A	12/2000	Miller et al.
6,168,498 B1	1/2001	Wagner

(Continued)

OTHER PUBLICATIONS

Pin by Victoria's Secret Sport on Victoria's Secret Sport | Pinterest (on-line); Item posted to Victoria's Secret Sport on Pinterest on Feb. 24, 2014. Retrieved from the internet on Oct. 6, 2014. URL: <https://www.pinterest.com/pin/501940320941472170/>. (9 pgs).*

(Continued)

Primary Examiner — Karen E Eldridge Powers

Assistant Examiner — Jasmine Mlinarcik

(74) *Attorney, Agent, or Firm* — Andrus Intellectual Property Law, LLP

(57) **CLAIM**

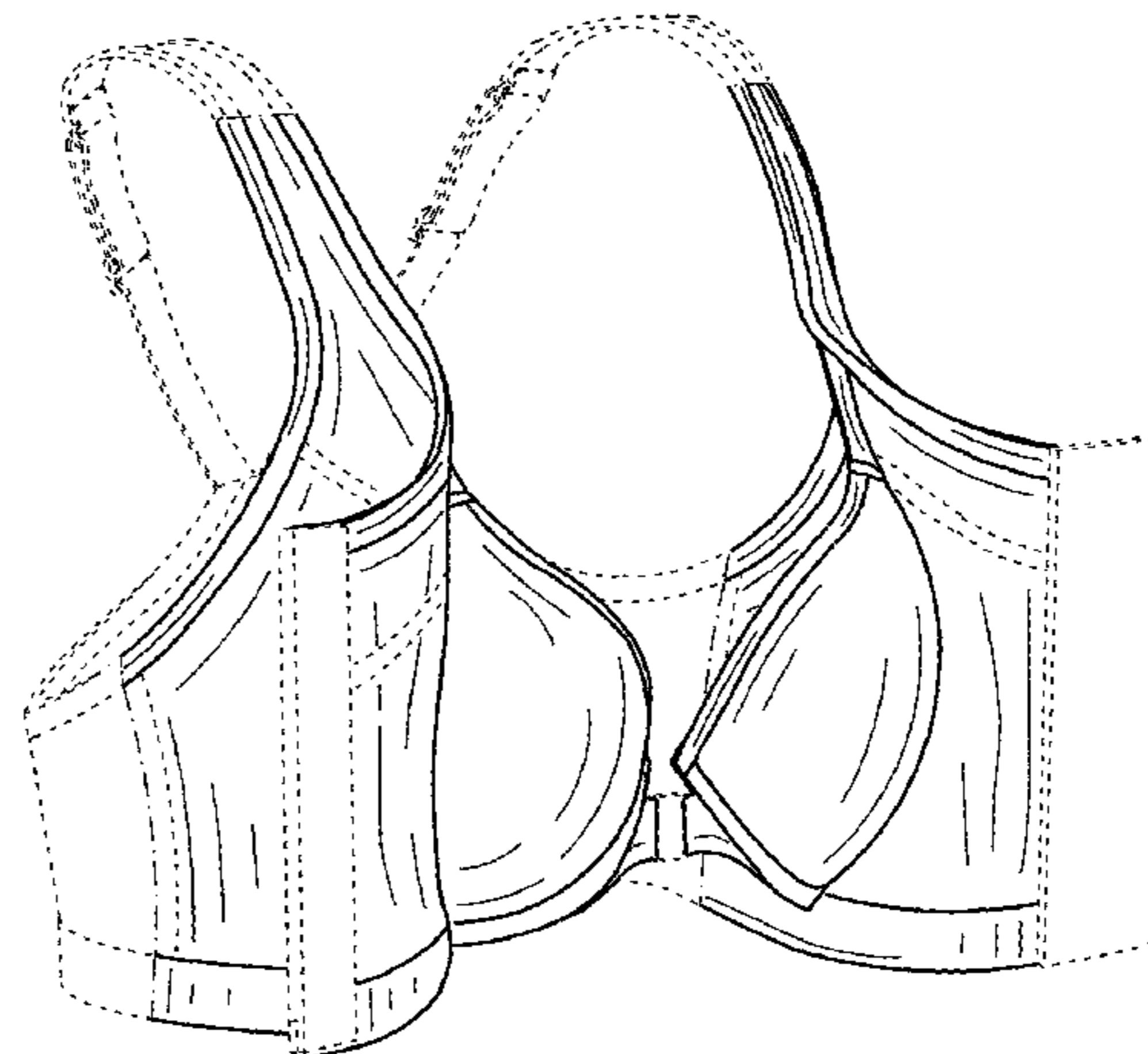
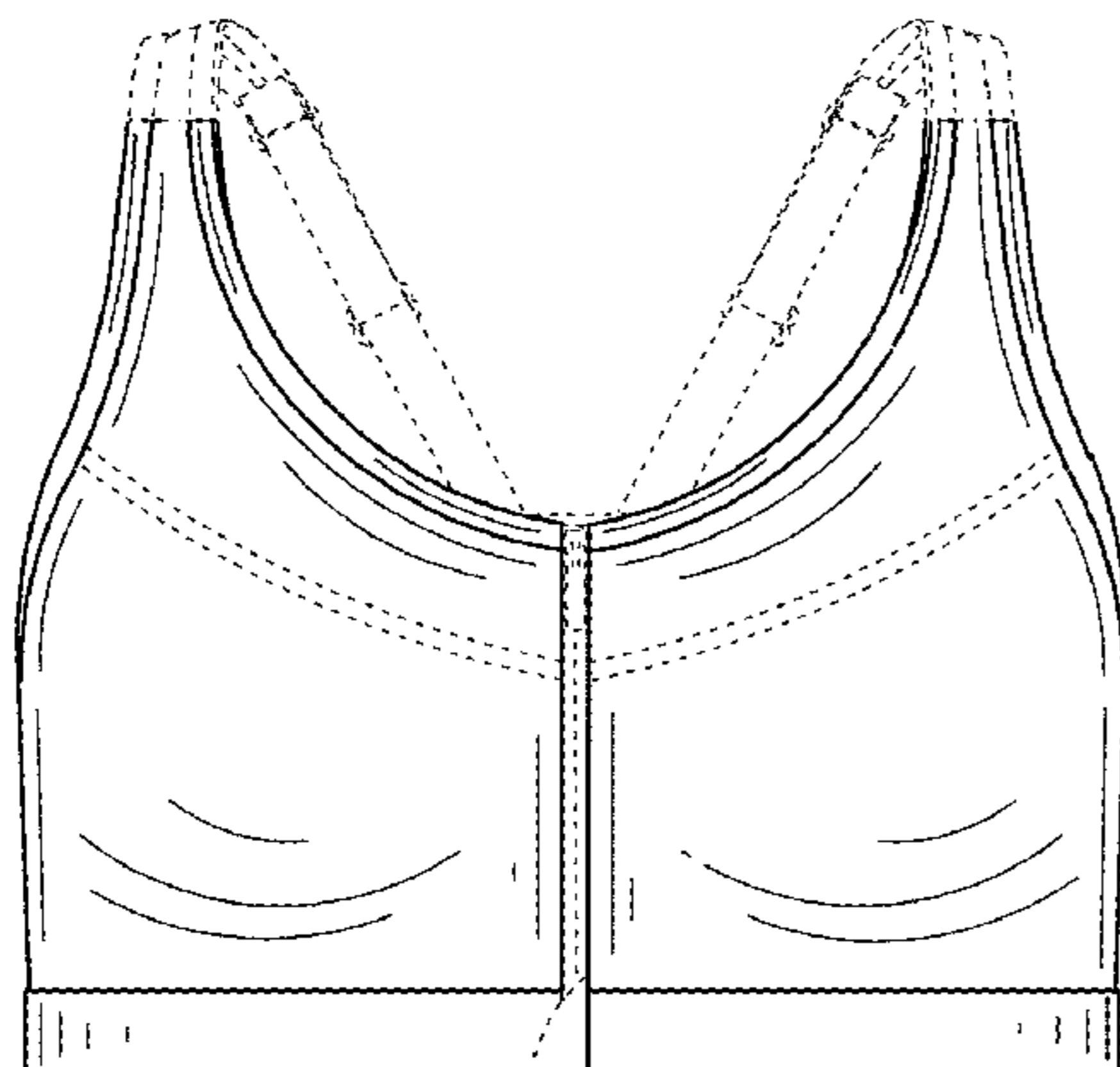
The ornamental design for a brassiere, as shown and described.

DESCRIPTION

FIG. 1 is a left side perspective view of an embodiment of a brassiere;
FIG. 2 is a front elevation view thereof;
FIG. 3 is a rear elevation view thereof;
FIG. 4 is a left side elevation view thereof;
FIG. 5 is a right side elevation view thereof;
FIG. 6 is a top plan view thereof;
FIG. 7 is a bottom plan view thereof;
FIG. 8 is a left side perspective view of the brassiere of FIGS. 1-7 shown in an alternate position;
FIG. 9 is a front elevation view thereof in the alternate position; and,
FIG. 10 is a rear elevation view thereof in the alternate position.

The broken lines in the underarm region near the top of each strap that separate the front of the brassiere from the back of the brassiere represent the bounds of the claimed design, while all other broken line showings are directed to environment or to unclaimed portions of the brassiere and are for illustrative purposes only; the broken lines form no part of the claimed design.

1 Claim, 6 Drawing Sheets



(56)

References Cited

U.S. PATENT DOCUMENTS

6,186,861	B1 *	2/2001	Flaherty	450/1
D438,691	S	3/2001	Zagame	
7,090,558	B2	8/2006	Ott	
7,588,479	B2	9/2009	Falla	
D635,329	S	4/2011	Wahl et al.	
7,922,682	B2	4/2011	Bell et al.	
D641,133	S	7/2011	Zarabi	
8,523,629	B2	9/2013	Pundyk	
D690,905	S *	10/2013	Eutsey et al.	D2/728
8,832,862	B1	9/2014	Solis	
D724,817	S *	3/2015	Randall	D2/708
2011/0067162	A1 *	3/2011	Solis	2/67
2011/0104985	A1	5/2011	Linder et al.	
2012/0021669	A1	1/2012	Johnstone	
2012/0045967	A1	2/2012	Punsal	
2015/0264982	A1 *	9/2015	Randall	A41C 3/0057 450/52

OTHER PUBLICATIONS

Knockout by Victoria's Secret Front-Close Sport Bra (on-line); Article for sale on VictoriasSecret.com with item reviews as early as Apr. 12, 2014. URL: <https://www.victoriassecret.com/victorias-secret-sport/sports-bras/knockout-by-victorias-secret-front-close-sport-bra-victorias-secret-sport?ProductID=207255&CatalogueType=OLS>. (5 pgs).*

Knockout by Victoria's Secret Sport (on-line); Item review posted to Wonder What's Next blog on Mar. 27, 2014. Retrieved from the internet on Oct. 6, 2014. URL: <http://wonderwhatsnextblog.blogspot.com/2014/03/knockout-by-victorias-secret-sport.html>. (5 pgs).*

Champion The Zip Sports Bra, <http://www.hanes.com/champion/womens-workout/sports-bras/shop-all-bras/champion-the-zip-sports-bra-cb7920>, web site visited on Dec. 15, 2014.

Playtex Play Zip Zip Hurray Front-Close Wirefree Bra, http://www.championusa.com/workout-clothes/women/sports-bras/everyday-bras-85068--1/playtex-play-zip-zip-hurray-wirefree-bra-25658?cm_vc=OnsiteSearch&csSearchTerm=playtex play zip zip, web site first visited on May 9, 2014 and Dec. 15, 2014.

CW-X XTEMPO Running Bra, <http://cw-x.com/ExploreProducts.aspx?product=bras&by=collection&gender=womens>, web site visited on May 9, 2014 and Dec. 15, 2014.

Fruit of the Loom Comfort Front-Close Sports Bra, [Racerback-Sport-Bra-2-pack-FT390/33102925, web site visited on May 20, 2014.

Nike Women's Pro Zip Front Bra, \[http://www.tennisexpress.com/NIKE-Womens-Pro-Bra-Zip-Front-32275?utm_source=google&utm_medium=cse&utm_term=&k=&gclid=CMSQ8qiQu74CFXQiMgodhCsAQQ\]\(http://www.tennisexpress.com/NIKE-Womens-Pro-Bra-Zip-Front-32275?utm_source=google&utm_medium=cse&utm_term=&k=&gclid=CMSQ8qiQu74CFXQiMgodhCsAQQ\), web site visited on May 20, 2014.

Spanx Top-Notch Sports Bra, \[http://www.spanx.com/shop/spanx/active/style/sports-bras/top-notch-sports-bra-zid38-1942/cat-38-catid-fncat_spx_act_styl_br-sprt\]\(http://www.spanx.com/shop/spanx/active/style/sports-bras/top-notch-sports-bra-zid38-1942/cat-38-catid-fncat_spx_act_styl_br-sprt\), web site visited on May 20, 2014.

Valmont Zip Front Sports Bra, <http://www.hanes.com/justmysize/active/plus-styles/plussize-sports-bra/valmont-sip-front-sports-bra-20357> web site visited on May 20, 2014 and Dec. 15, 2014.

Anita Active Front Close Sports Bra, <http://www.herroom.com/anita-5523-active-front-close-sports-bra.shtml>, web site visited on May 9, 2014.

Body Central Zip Front Sports Bra, <http://www.bodycentral.com/products/zip-front-sports-bra/>, web site visited on May 9, 2014.

Danskin Now Front Close Deep Plunge Sport Bra, <http://www.walmart.com/ip/Danskin-Now-Front-Close-Deep-Plunge-Sport-Bra/17480246>, web site visited on May 20, 2014.

Enell Sports Bra 100, <http://www.herroom.com/enell-100-sports-bra.shtml>, web site visited on May 20, 2014.

Enell Lite Sports Bra NL101, \[http://www.herroom.com/Enell-NL101-Lite-Sports-Bra.shtml?utm_source=adv&utm_medium=search&device=c&network=g&matchtype=&utm_campaign=pla\]\(http://www.herroom.com/Enell-NL101-Lite-Sports-Bra.shtml?utm_source=adv&utm_medium=search&device=c&network=g&matchtype=&utm_campaign=pla\), web site visited on May 20, 2014.

Fruit of the Loom, Front Close Racerback Sport Bra, <http://www.walmart.com/ip/Fruit-of-the-Loom-Front-Close-Racerback-Sport-Bra-2-pack-FT390/33102925>, web site visited on May 20, 2014.

Lift & Separate IV, <http://shop.lululemon.com/products/clothes-accessories/bras-medium-support/Lift-And-Separate-IV?cc=7501&skuid=3533091&catId=bras-medium-support>, web site visited on May 20, 2014.

Playtex Women's Play Zip Zip Hurray Wirefree Racerback Bra, <http://www.amazon.com/Playtex-Womens-Hurray-Wirefree-Racerback/dp/B00FXT66ME>, web site visited on May 20, 2014.

Shock Absorber Active Zipped Plunge, <http://shockabsorber.co.uk/en/products/active-range/active-zipped-plunge/>, web site visited on May 20, 2014.

Armour Bra Protegee D Cup, <http://www.underarmour.com/shop/us/en/armour-bra-protege-d-cup/pid1236592>, web site visited on May 20, 2014.](http://www.walmart.com/ip/Fruit-of-the-Loom-Comfort-Front-Close-</p>
</div>
<div data-bbox=)

* cited by examiner

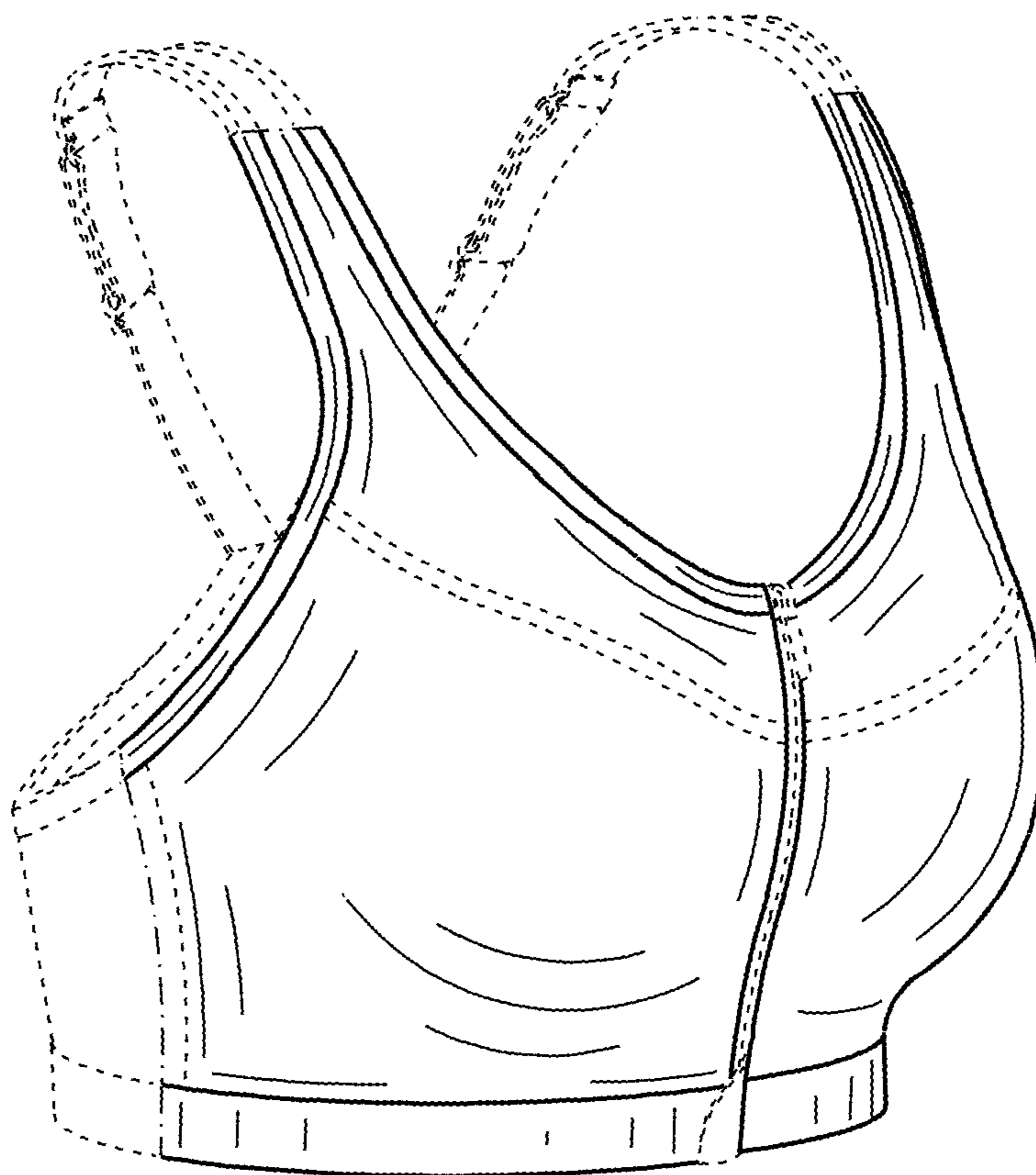


FIG. 1

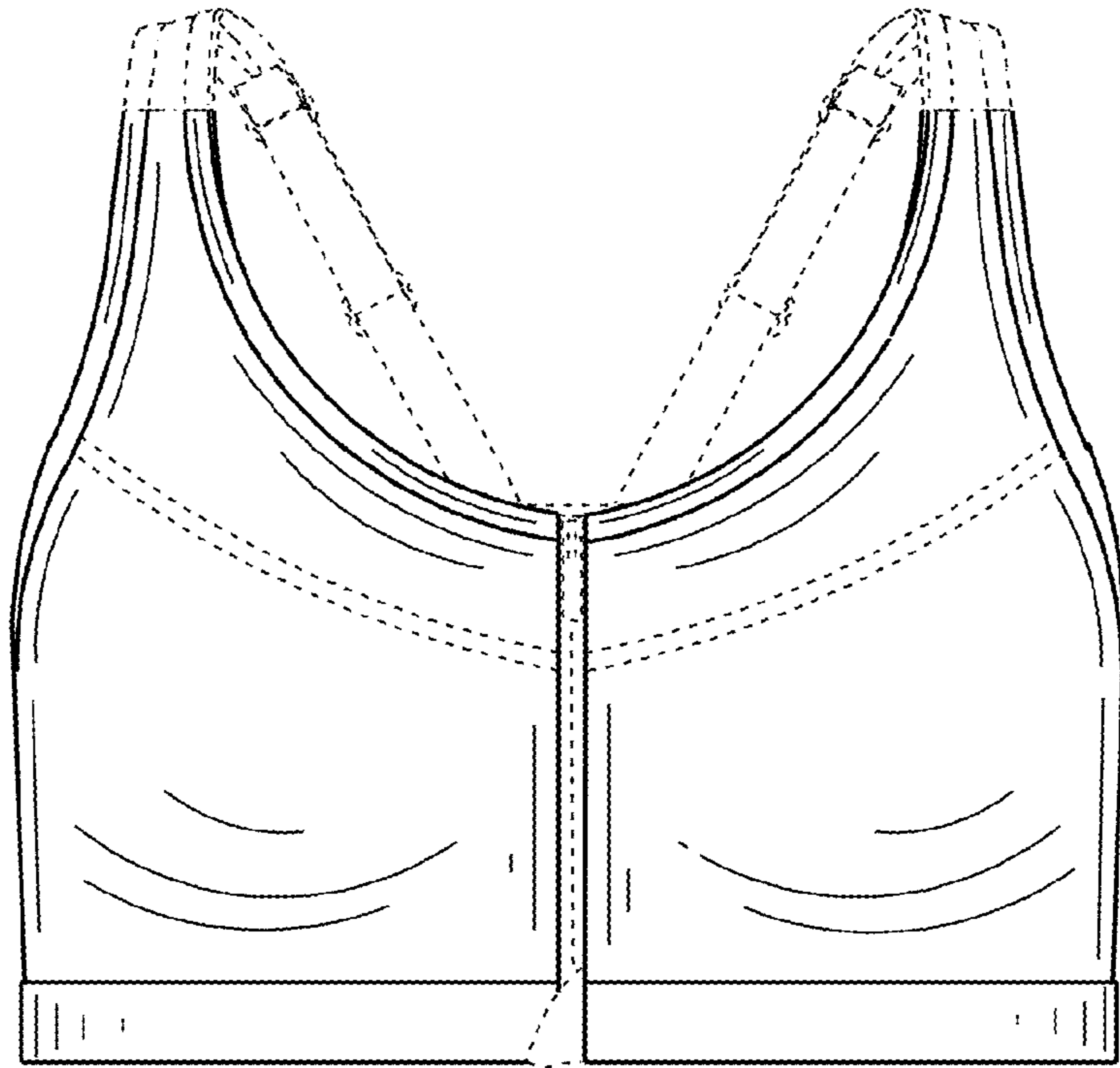


FIG. 2

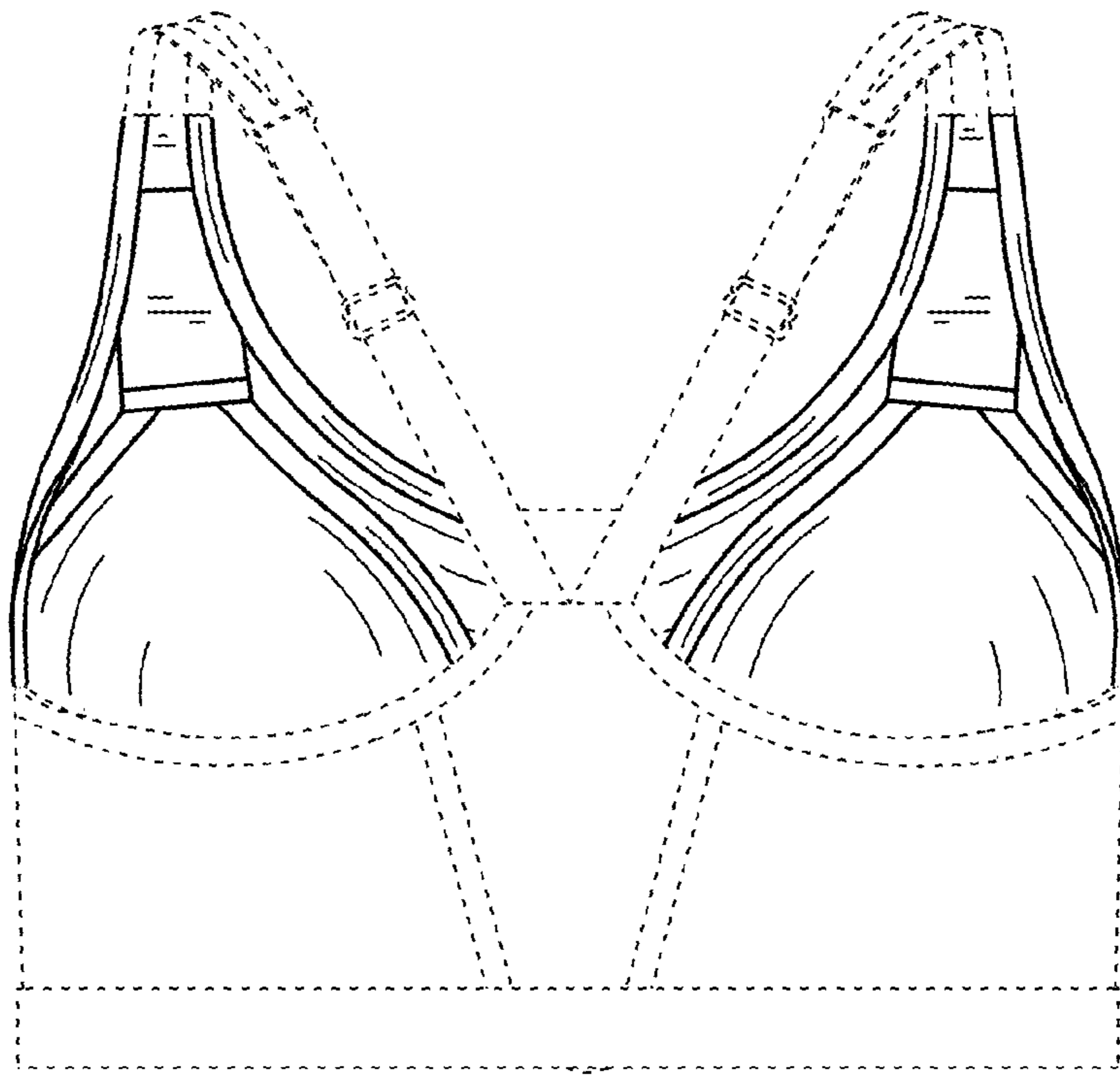


FIG. 3

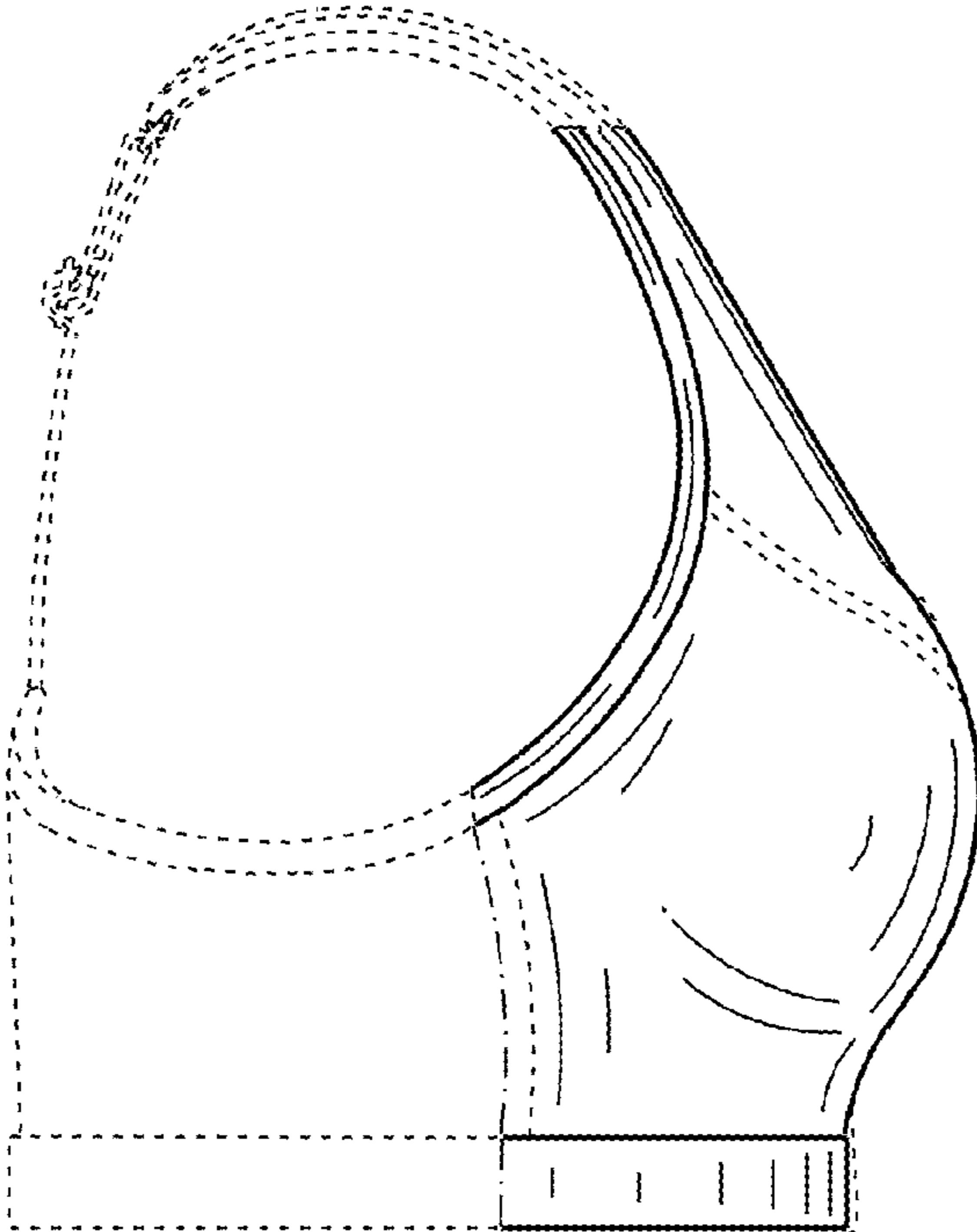


FIG. 4

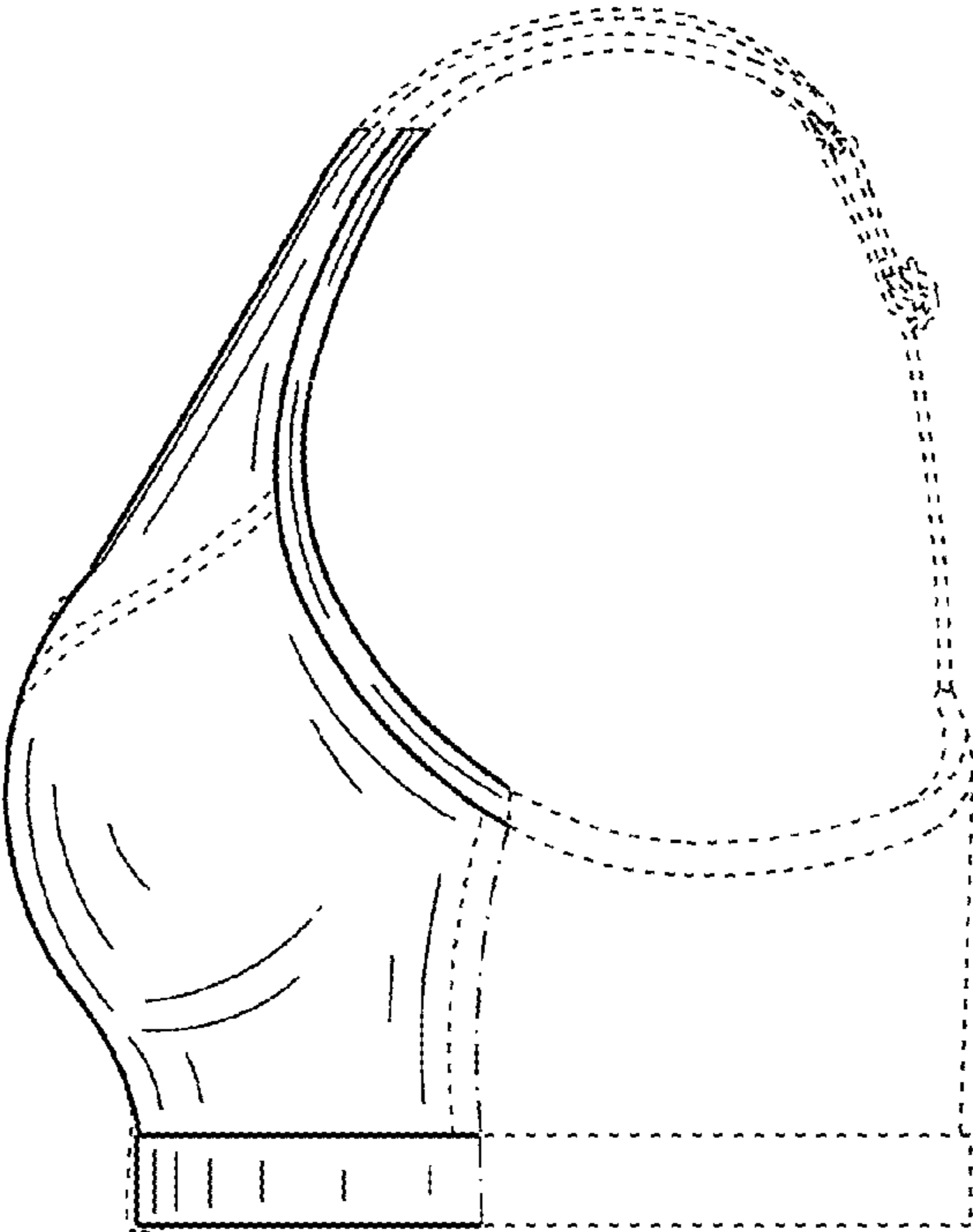


FIG. 5

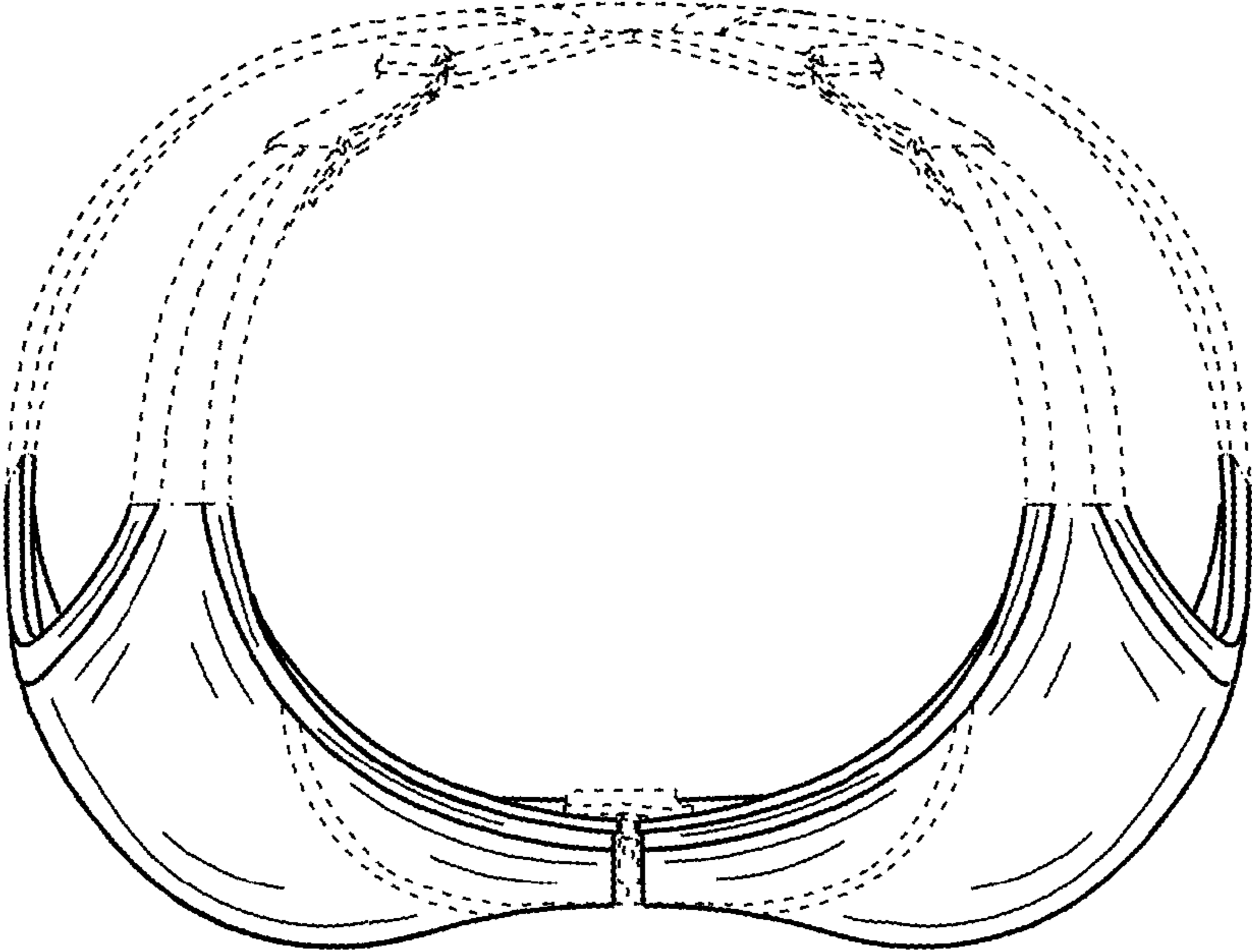


FIG. 6

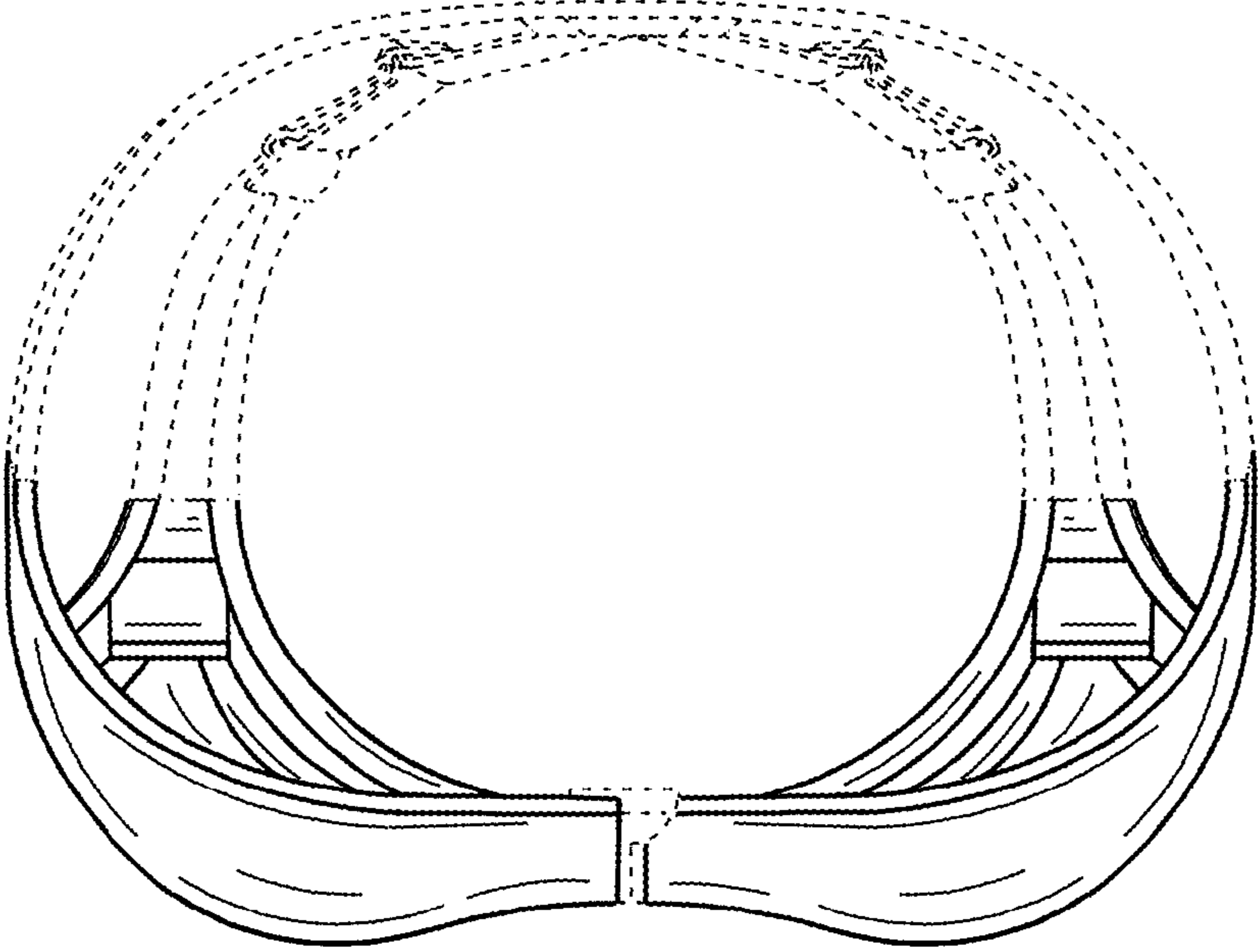


FIG. 7

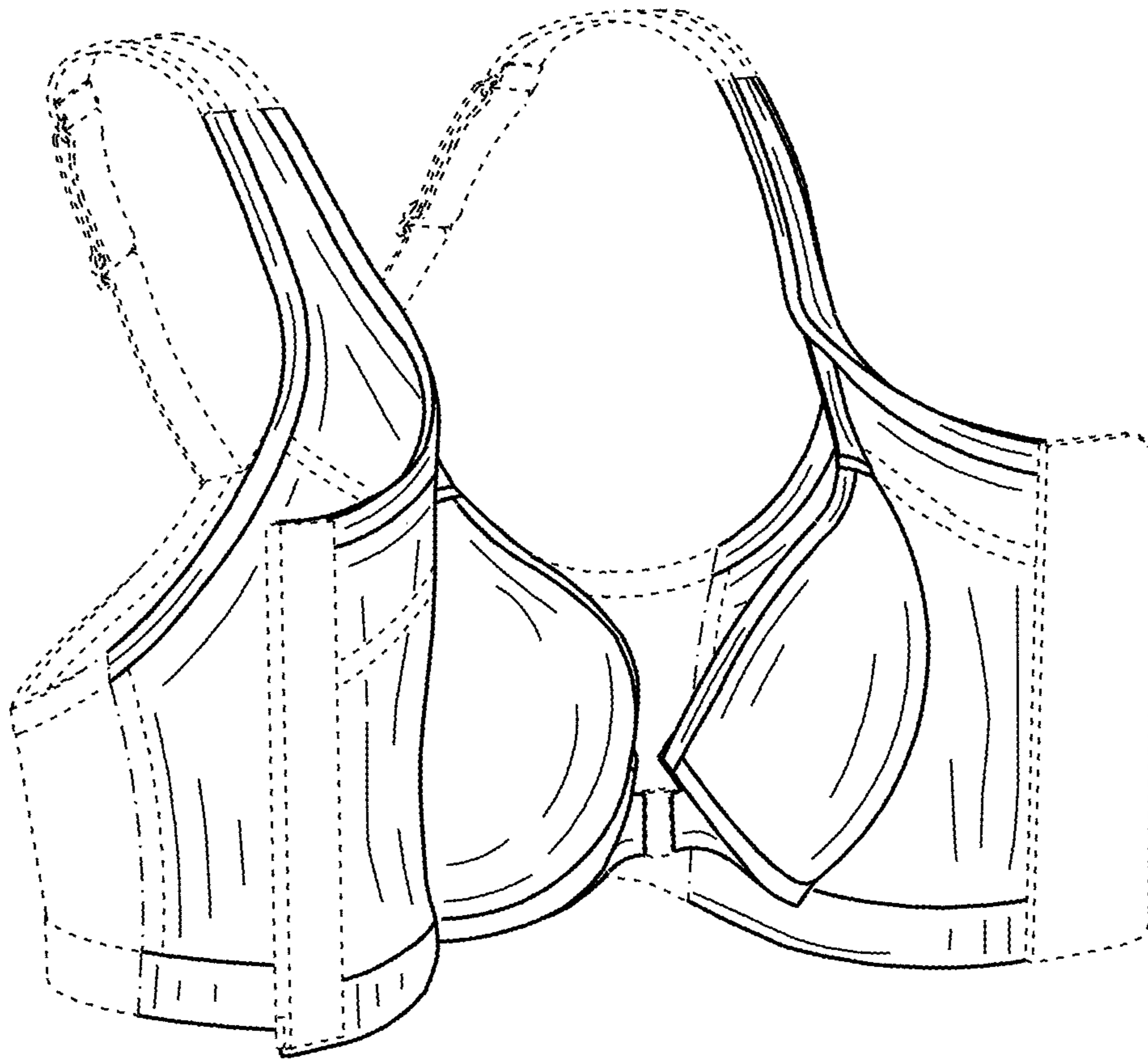


FIG. 8

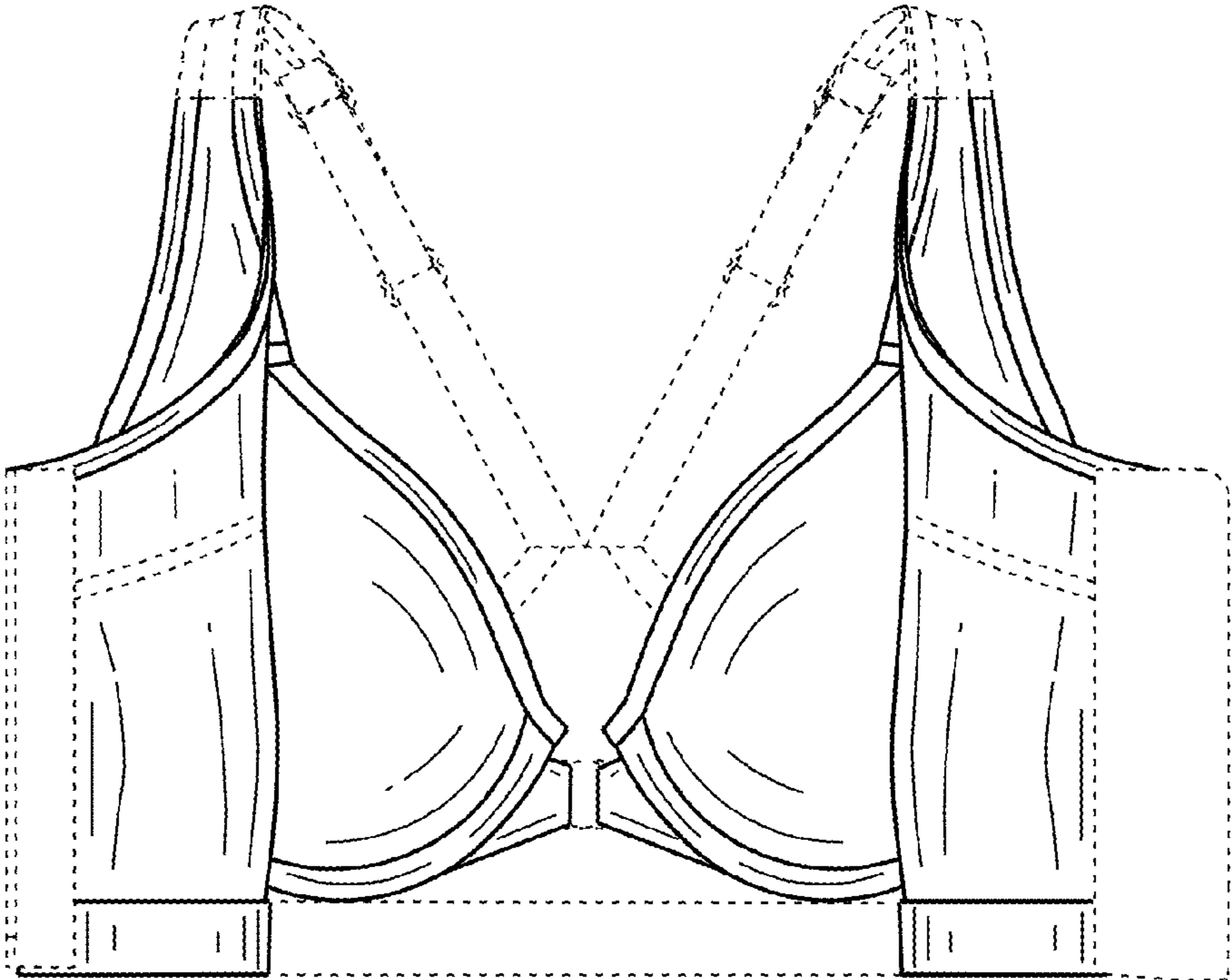


FIG. 9

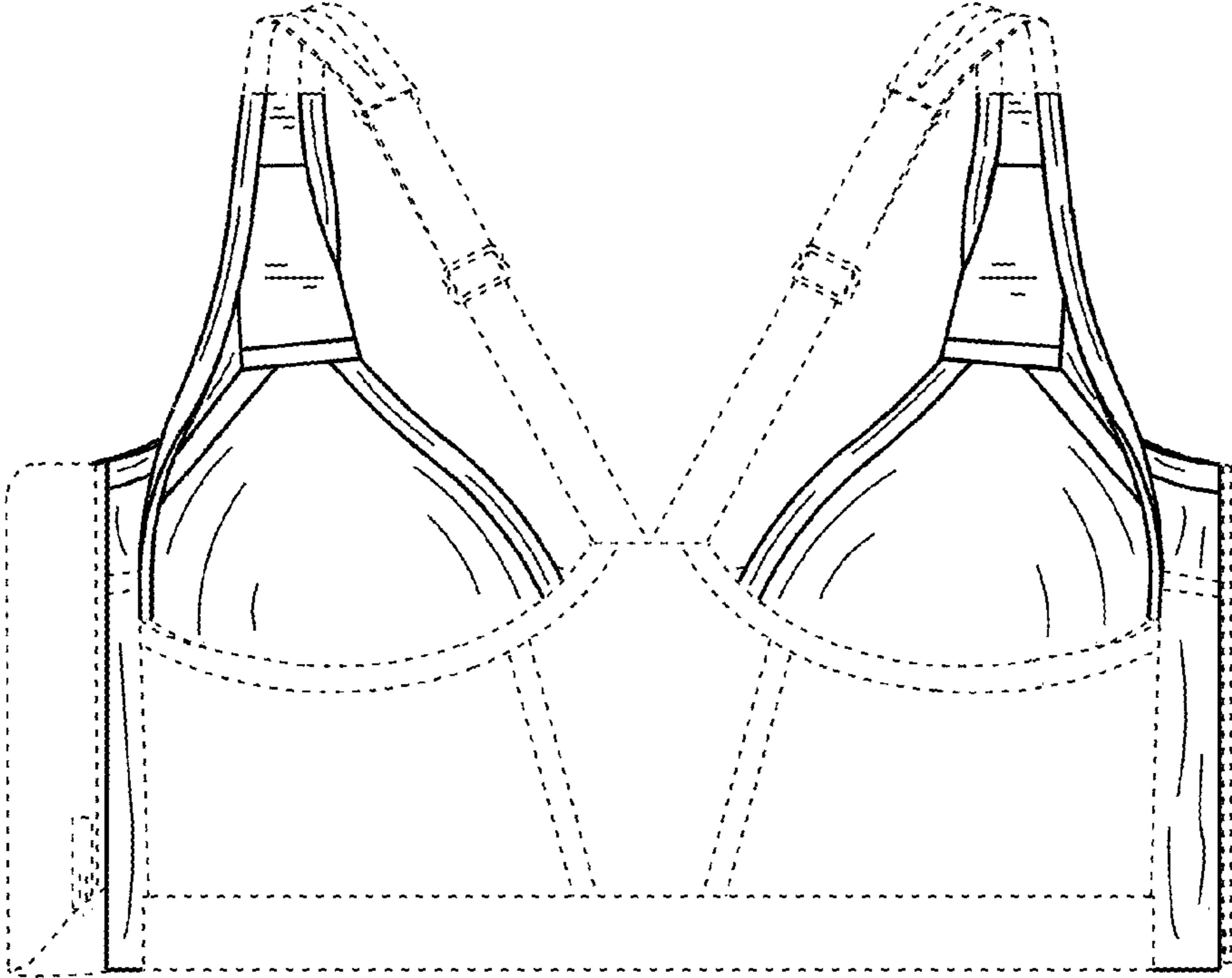


FIG. 10