



US00D744712S

(12) **United States Design Patent**
Polidoros

(10) **Patent No.:** **US D744,712 S**

(45) **Date of Patent:** **** Dec. 1, 2015**

(54) **SERVICE TROLLEY**

(71) Applicant: **IHS Global Design Pty, Ltd.**, Rowville,
Victoria (AU)

(72) Inventor: **Nicholas Polidoros**, Mitcham (AU)

(73) Assignee: **IHS Global Design Pty Ltd** (AU)

(**) Term: **14 Years**

(21) Appl. No.: **29/481,622**

(22) Filed: **Feb. 7, 2014**

(30) **Foreign Application Priority Data**

Aug. 9, 2013 (AU) 13902-2013

Aug. 9, 2013 (AU) 13903-2013

(51) **LOC (10) Cl.** **12-02**

(52) **U.S. Cl.**
USPC **D34/12**

(58) **Field of Classification Search**
USPC D34/12-27; 280/5.32, 651, 47.35,
280/79.11, 79.3, 47.26, 79.2; D6/685, 686,
D6/488; 108/177

CPC B62B 3/02; B62B 3/027; B62B 2202/404;
B62B 2202/67; B62B 5/00; B62B 2203/07;
B62B 2203/74

See application file for complete search history.

(56) **References Cited**

U.S. PATENT DOCUMENTS

D151,162 S * 9/1948 Metz D6/686
D174,387 S * 4/1955 Johnson D6/686
D178,094 S * 6/1956 Van Koert D6/686
D203,200 S * 12/1965 Kleir et al. D34/20
D217,342 S * 4/1970 Swadley D34/24
D254,388 S * 3/1980 Chesnut D23/399

D265,391 S * 7/1982 Dearing D34/18
D265,518 S * 7/1982 Berlin D34/17
D269,753 S * 7/1983 Offredi D6/686
4,446,796 A * 5/1984 Wilson A47B 31/04
108/69
4,750,432 A * 6/1988 McNamara A47B 31/04
108/69
D301,652 S * 6/1989 Roberts D34/21
D322,351 S * 12/1991 O'Brien D34/18
D354,186 S * 1/1995 Grosfillex D34/17
6,324,997 B1 * 12/2001 Baker A47B 9/14
108/64
D518,317 S * 4/2006 Katz D6/686
D610,770 S * 2/2010 Rossini D34/12
D612,124 S * 3/2010 Rossini D34/12
D726,985 S * 4/2015 Gundogan D34/23
D726,986 S * 4/2015 Hall D34/23
2006/0070556 A1 * 4/2006 Burton A47B 31/00
108/77

* cited by examiner

Primary Examiner — Cynthia Ramirez

(74) *Attorney, Agent, or Firm* — Saidman DesignLaw
Group, LLC

(57) **CLAIM**

The ornamental design for a service trolley, as shown and
described.

DESCRIPTION

FIG. 1 is a perspective view of my design for a service trolley,
showing the table top in a first position;

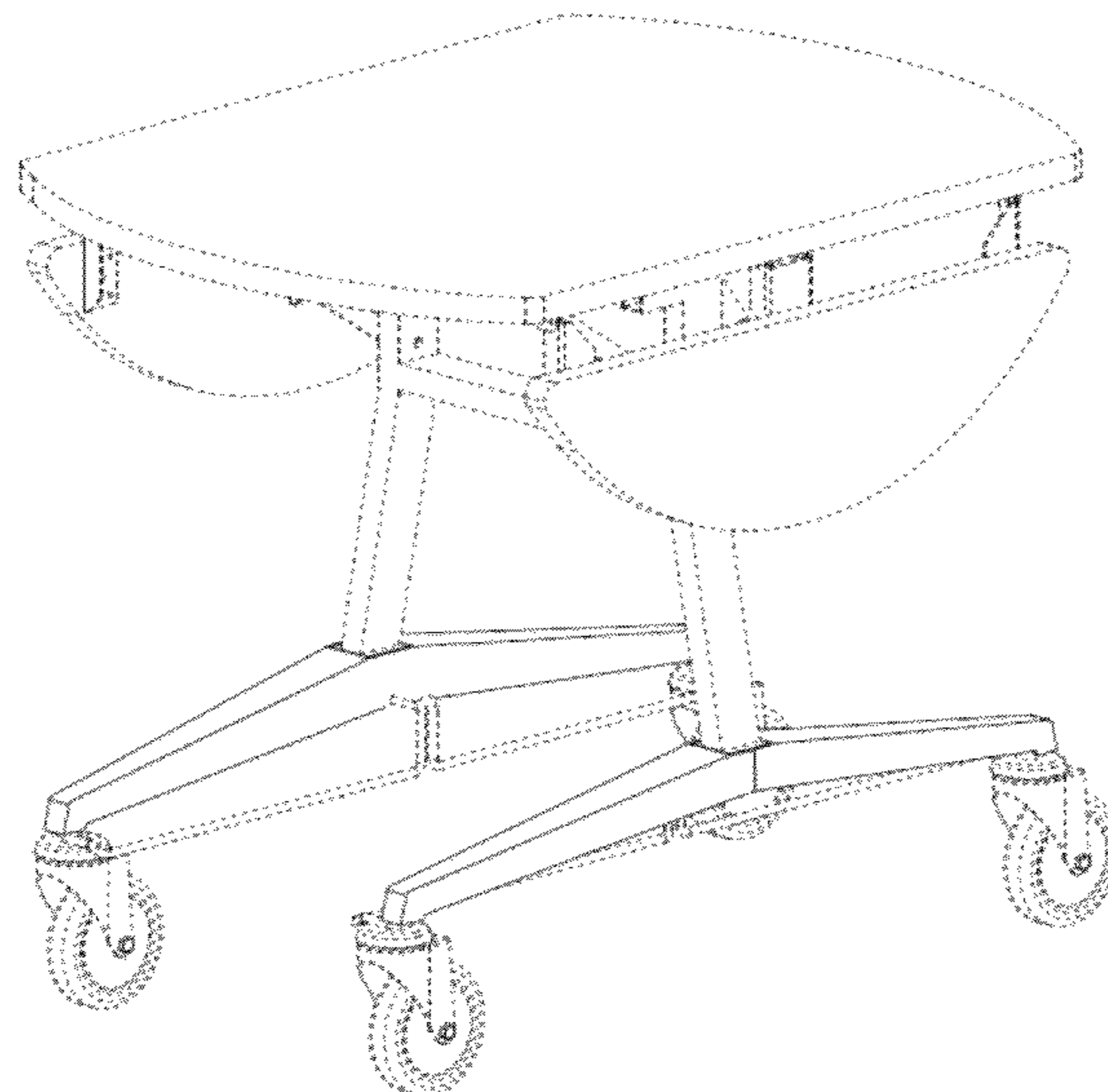
FIG. 2 is a side elevation thereof, the opposite side view being
a mirror image thereof;

FIG. 3 is an end elevation thereof, the opposite end view being
a mirror image thereof; and,

FIG. 4 is a perspective view thereof showing the table top in
a second position.

The broken lines illustrate environmental structure and form
no part of the claimed design.

1 Claim, 2 Drawing Sheets



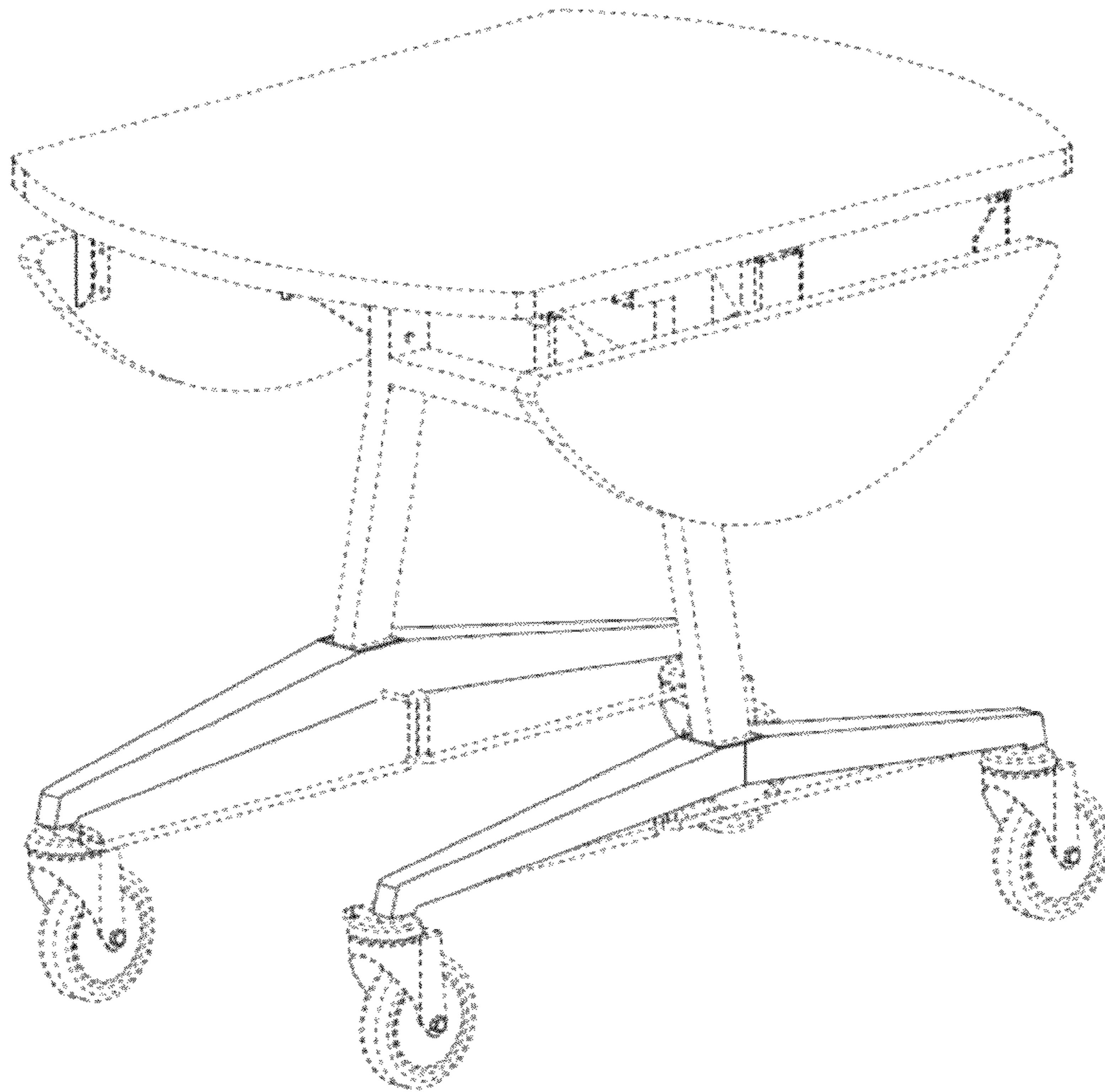


FIGURE 1

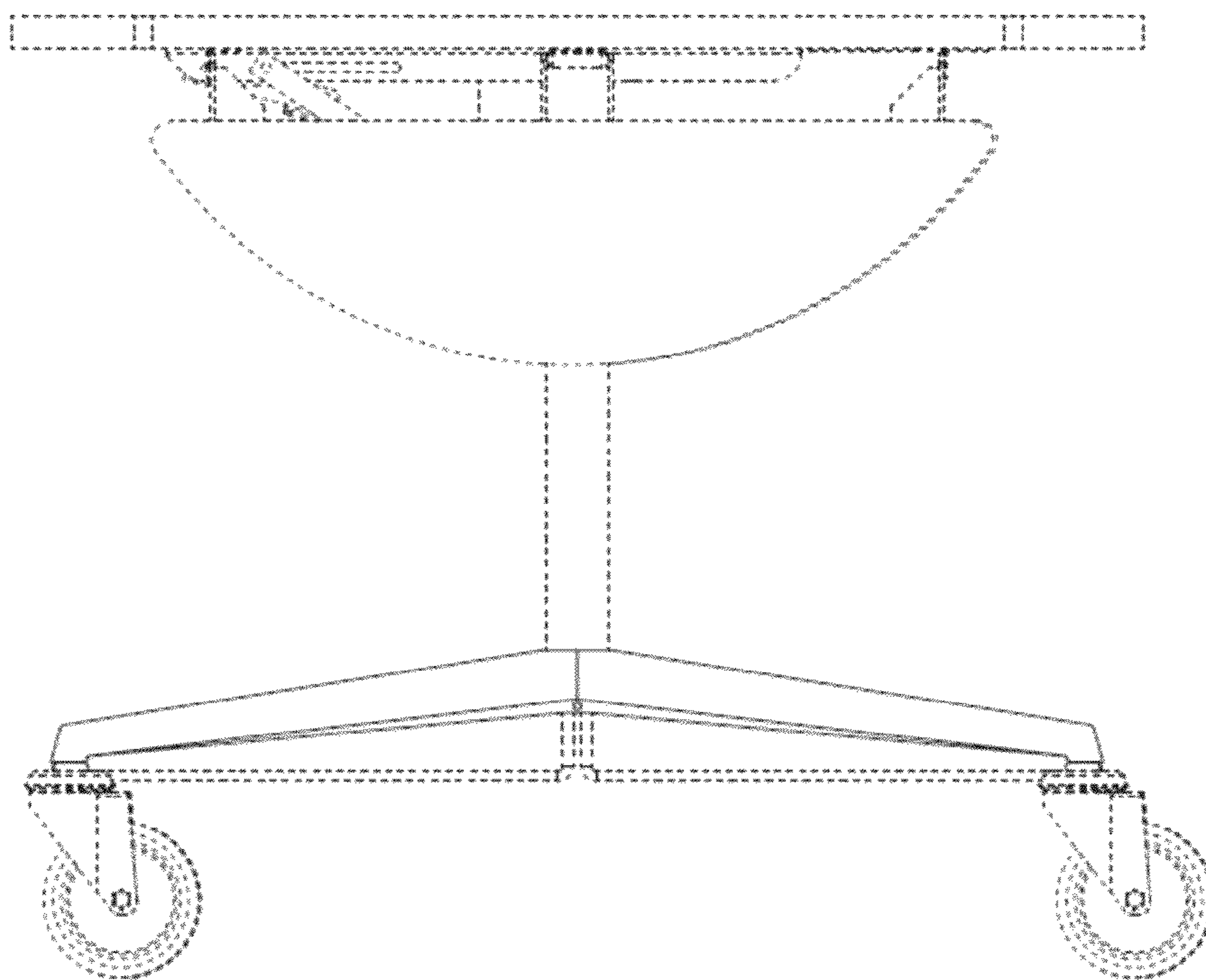


FIGURE 2

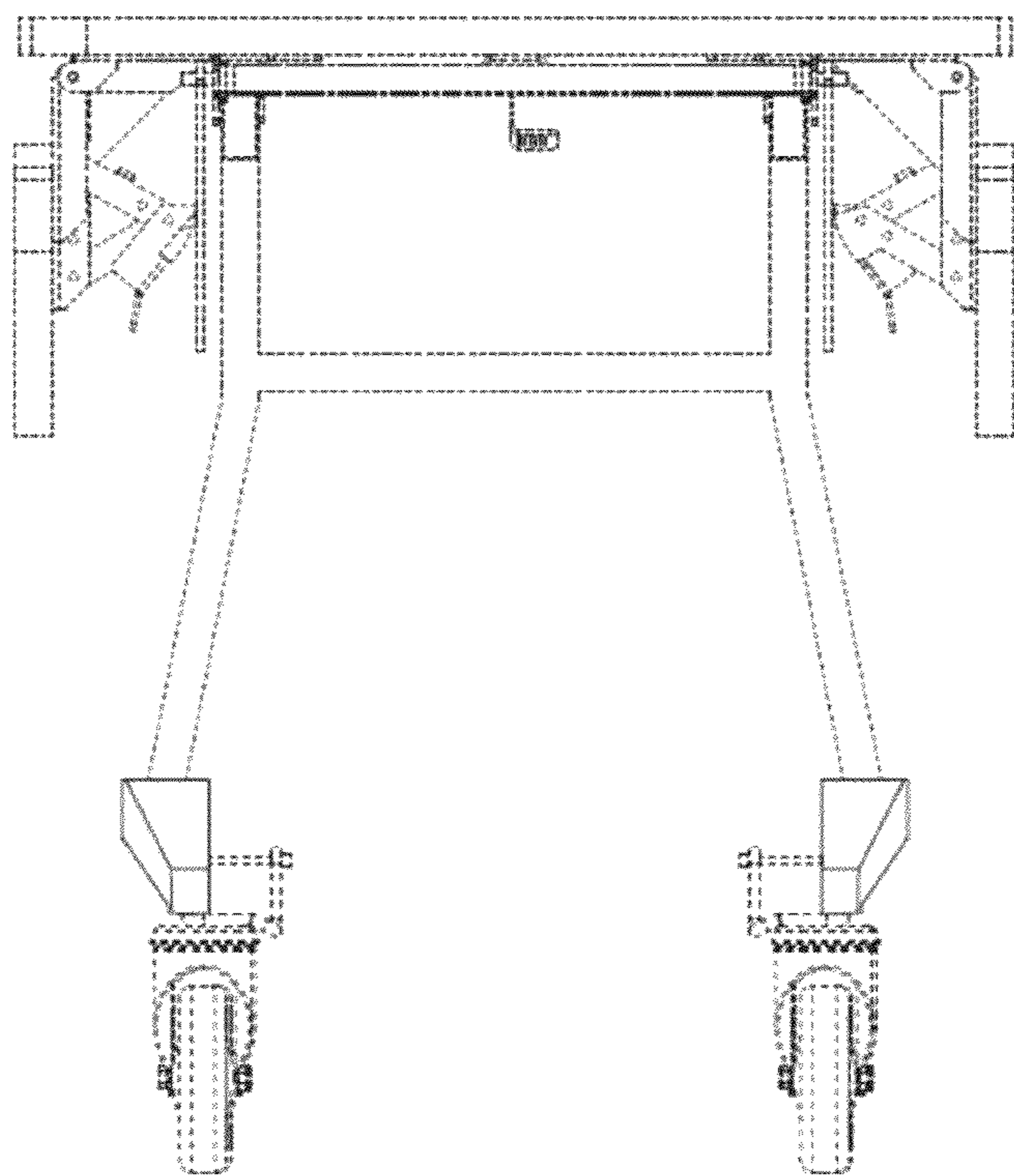


FIGURE 3



FIGURE 4