



US00D744709S

(12) **United States Design Patent**  
**Cheon et al.**

(10) **Patent No.:** **US D744,709 S**  
(45) **Date of Patent:** **\*\* Dec. 1, 2015**

(54) **ROBOT CLEANER BODY**

(71) Applicant: **Samsung Electronics Co., Ltd.**,  
Suwon-si (KR)  
(72) Inventors: **Dongwon Cheon**, Seoul (KR); **Yuna Park**, Seoul (KR)  
(73) Assignee: **Samsung Electronics Co., Ltd.**,  
Suwon-si (KR)

(\*\*) Term: **14 Years**

(21) Appl. No.: **29/485,341**

(22) Filed: **Mar. 18, 2014**

(30) **Foreign Application Priority Data**

Sep. 26, 2013 (KR) ..... 30-2013-0049117

(51) **LOC (10) Cl.** ..... **15-05**

(52) **U.S. Cl.**  
USPC ..... **D32/31**

(58) **Field of Classification Search**  
USPC ..... D32/19-21, 25, 31-33; D4/102, 127,  
D4/128, 133, 136  
CPC ..... A47J 37/0713; A47L 9/2842; A47L  
2201/00; A47L 5/30; A47L 5/28; A47L  
5/362; A47L 9/04; A46B 13/005; A46B  
13/001; A61C 17/26; G06N 3/008; B25J  
9/1697; G01S 13/931; B62D 58/032; B62D  
57/032; E01H 1/053; E01H 1/02

See application file for complete search history.

(56) **References Cited**

U.S. PATENT DOCUMENTS

|              |      |         |                   |          |
|--------------|------|---------|-------------------|----------|
| 6,581,239    | B1 * | 6/2003  | Dyson et al.      | 15/340.3 |
| D503,251     | S *  | 3/2005  | Christianson      | D32/21   |
| D548,411     | S *  | 8/2007  | Schroter          | D32/21   |
| D551,815     | S *  | 9/2007  | Schroeter         | D32/21   |
| D593,265     | S *  | 5/2009  | Carr et al.       | D32/21   |
| D658,341     | S *  | 4/2012  | Nam et al.        | D32/21   |
| D714,003     | S *  | 9/2014  | Casini            | D32/21   |
| D720,103     | S *  | 12/2014 | Haug et al.       | D32/21   |
| 2004/0204792 | A1 * | 10/2004 | Taylor et al.     | 700/245  |
| 2008/0276407 | A1 * | 11/2008 | Schnittman et al. | 15/319   |
| 2009/0281661 | A1 * | 11/2009 | Dooley et al.     | 700/258  |
| 2011/0088203 | A1 * | 4/2011  | Song et al.       | 15/339   |
| 2014/0130290 | A1 * | 5/2014  | Jang et al.       | 15/319   |
| 2014/0259475 | A1 * | 9/2014  | Doughty           | 15/52.1  |

\* cited by examiner

*Primary Examiner* — Ruth McInroy  
(74) *Attorney, Agent, or Firm* — NSIP Law

(57) **CLAIM**

We claim the ornamental design for a robot cleaner body, as shown and described.

**DESCRIPTION**

FIG. 1 is a front perspective view of a robot cleaner body showing our new design;  
FIG. 2 is a front view thereof;  
FIG. 3 is a rear view thereof;  
FIG. 4 is a left-side view thereof;  
FIG. 5 is a right-side view thereof;  
FIG. 6 is a top view thereof;  
FIG. 7 is a bottom view thereof; and,  
FIG. 8 is another front perspective view, in which a robot cleaner is provided in broken lines to illustrate an example environment.  
The broken lines are for environmental purposes only and form no part of the claimed design.

**1 Claim, 8 Drawing Sheets**

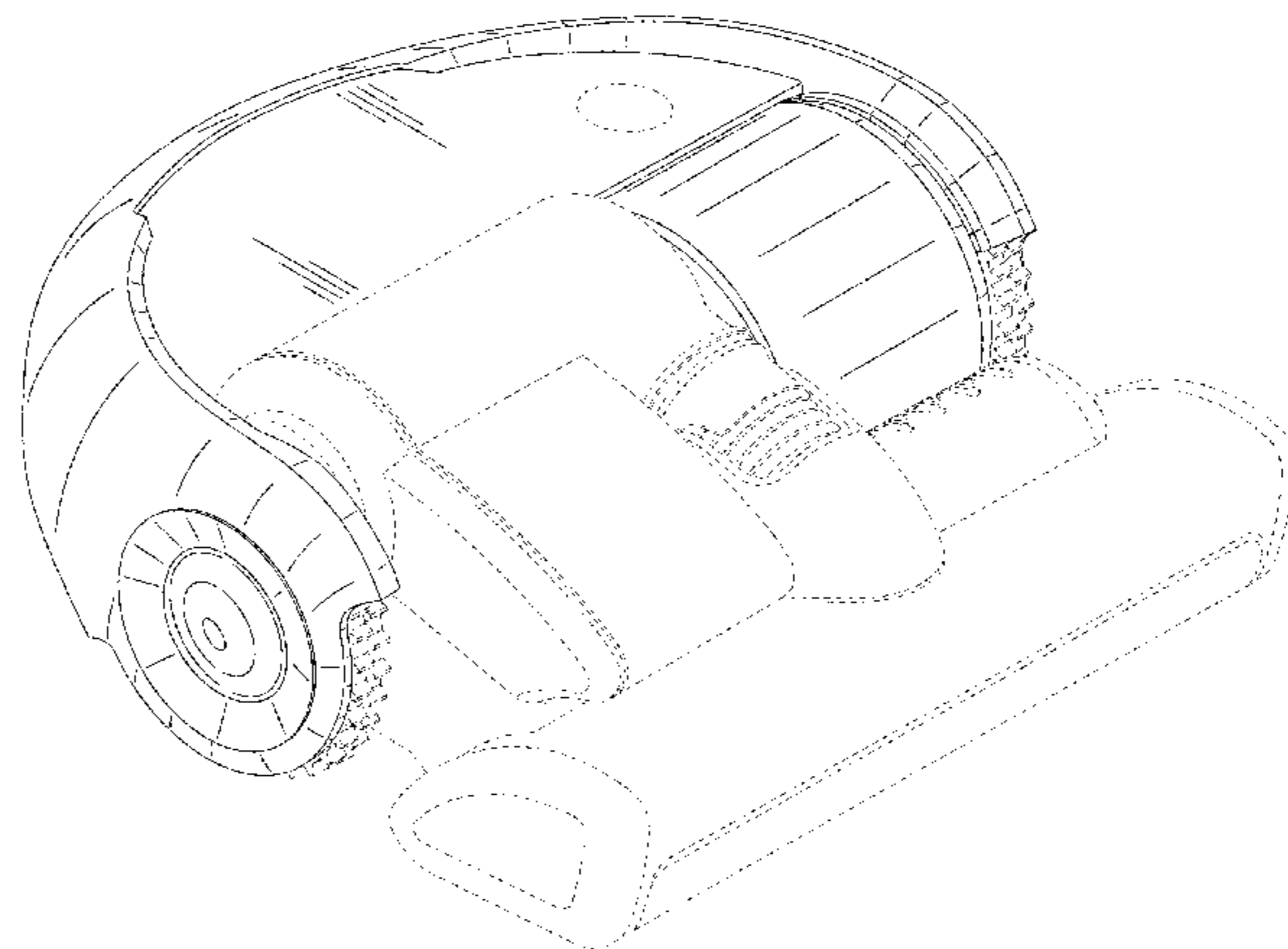
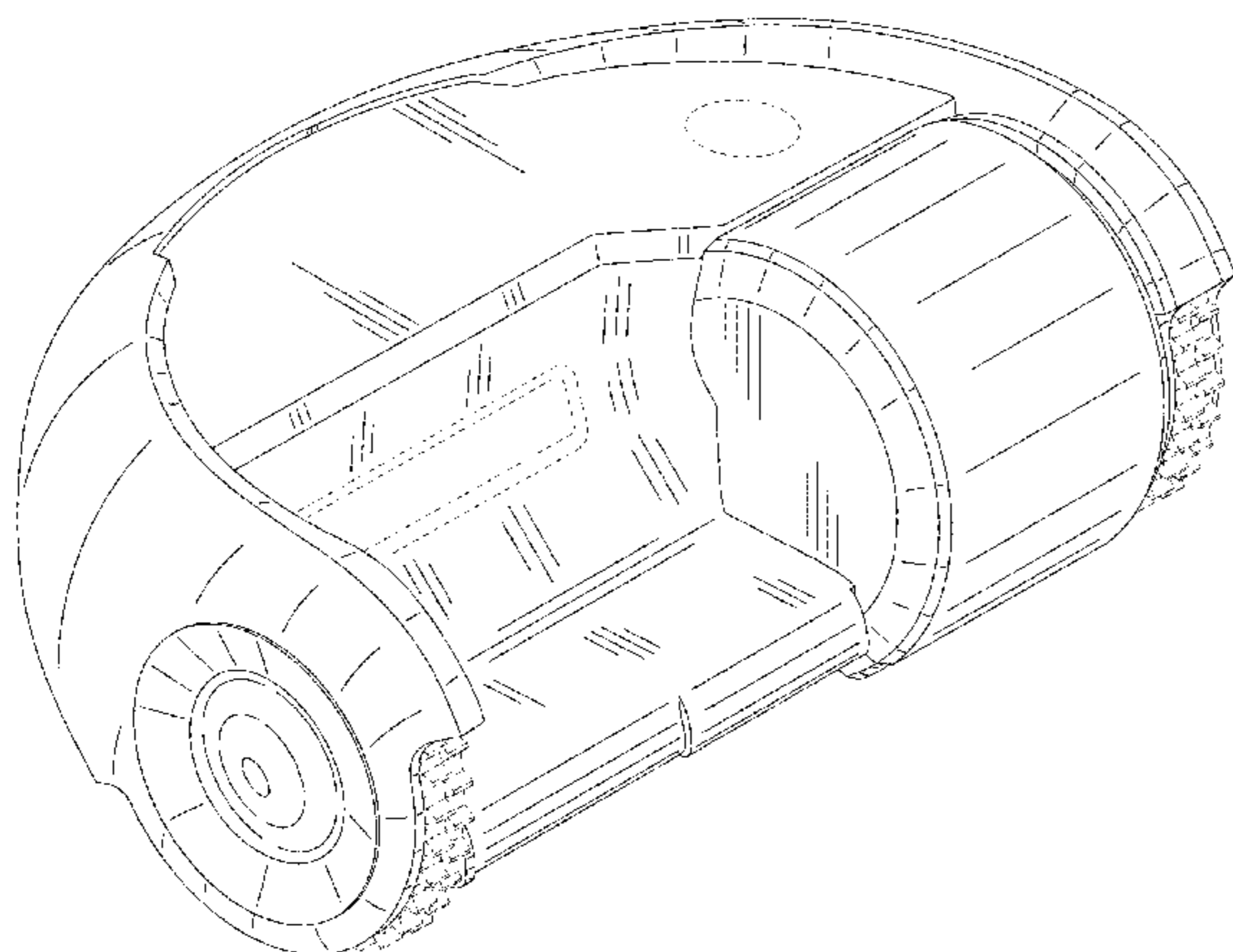


FIG. 1

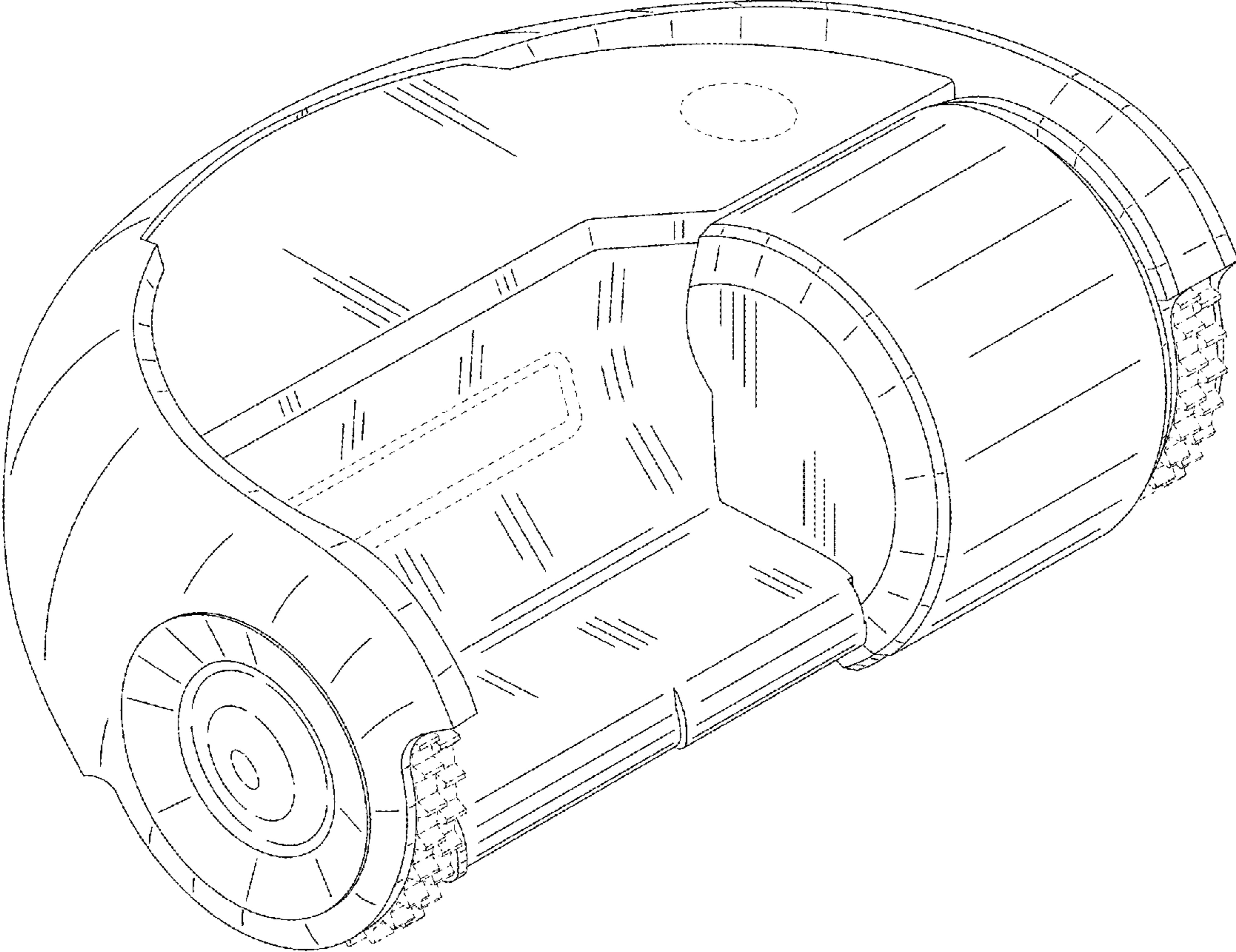


FIG. 2

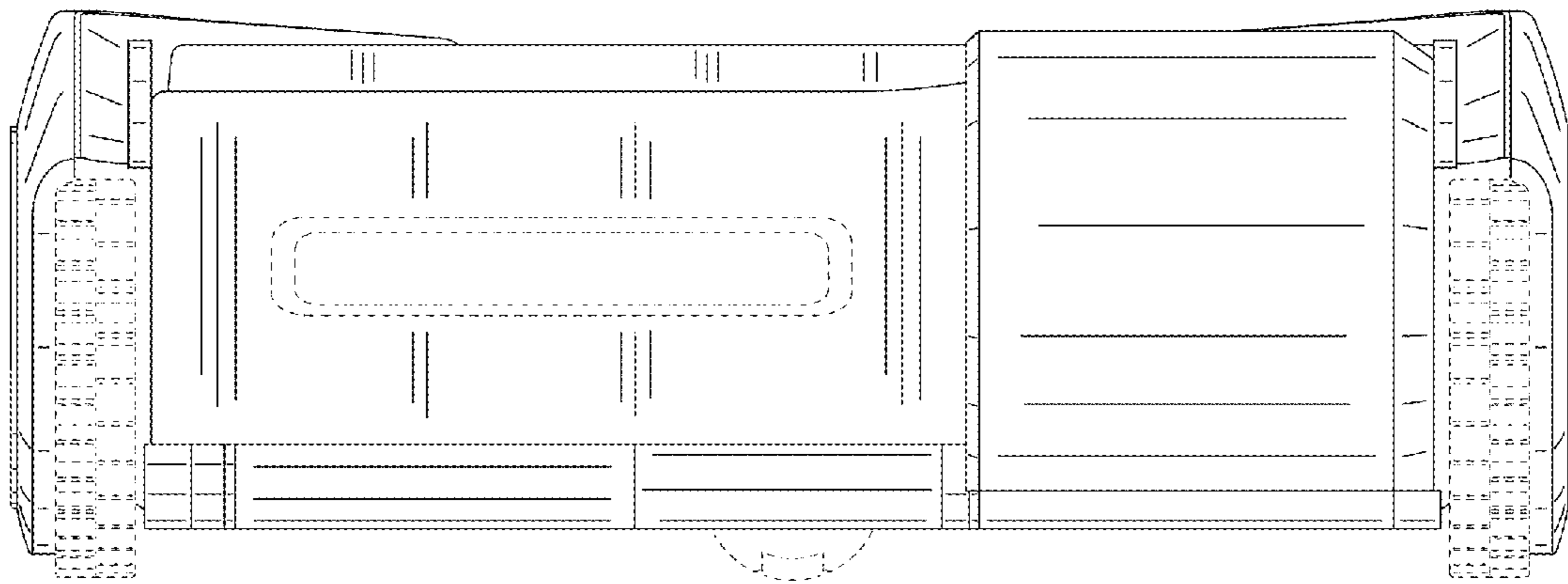


FIG. 3

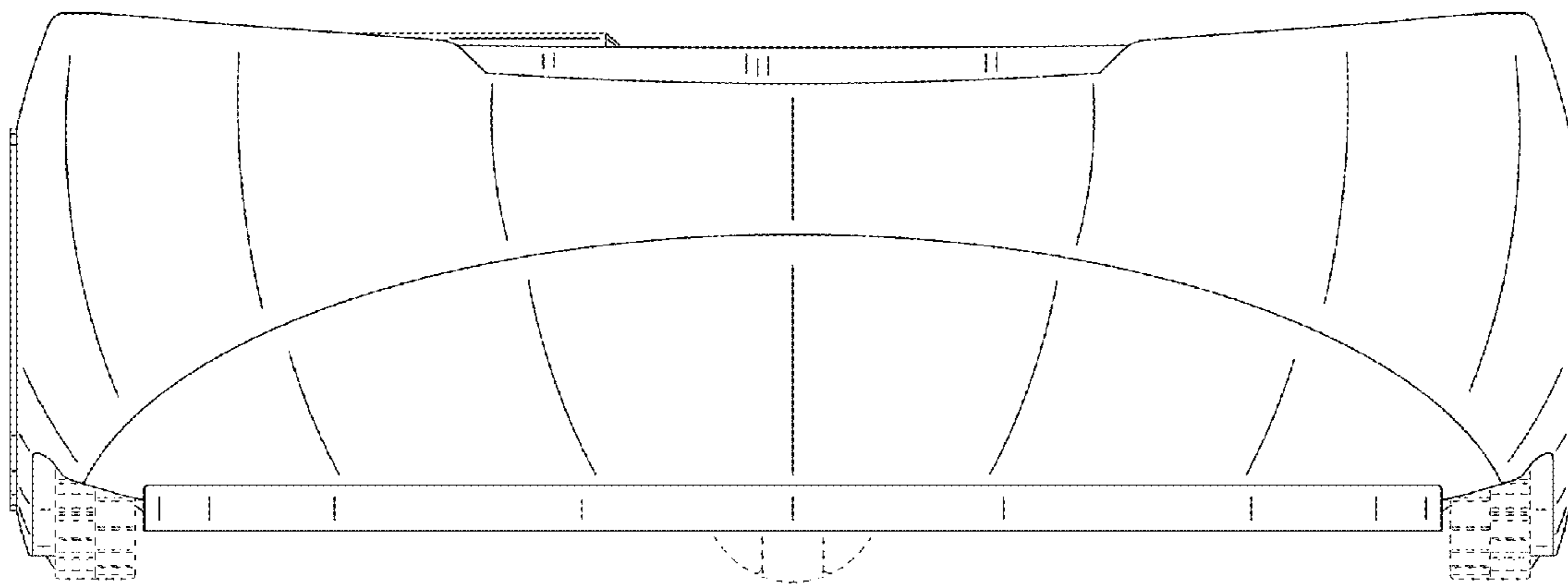


FIG. 4

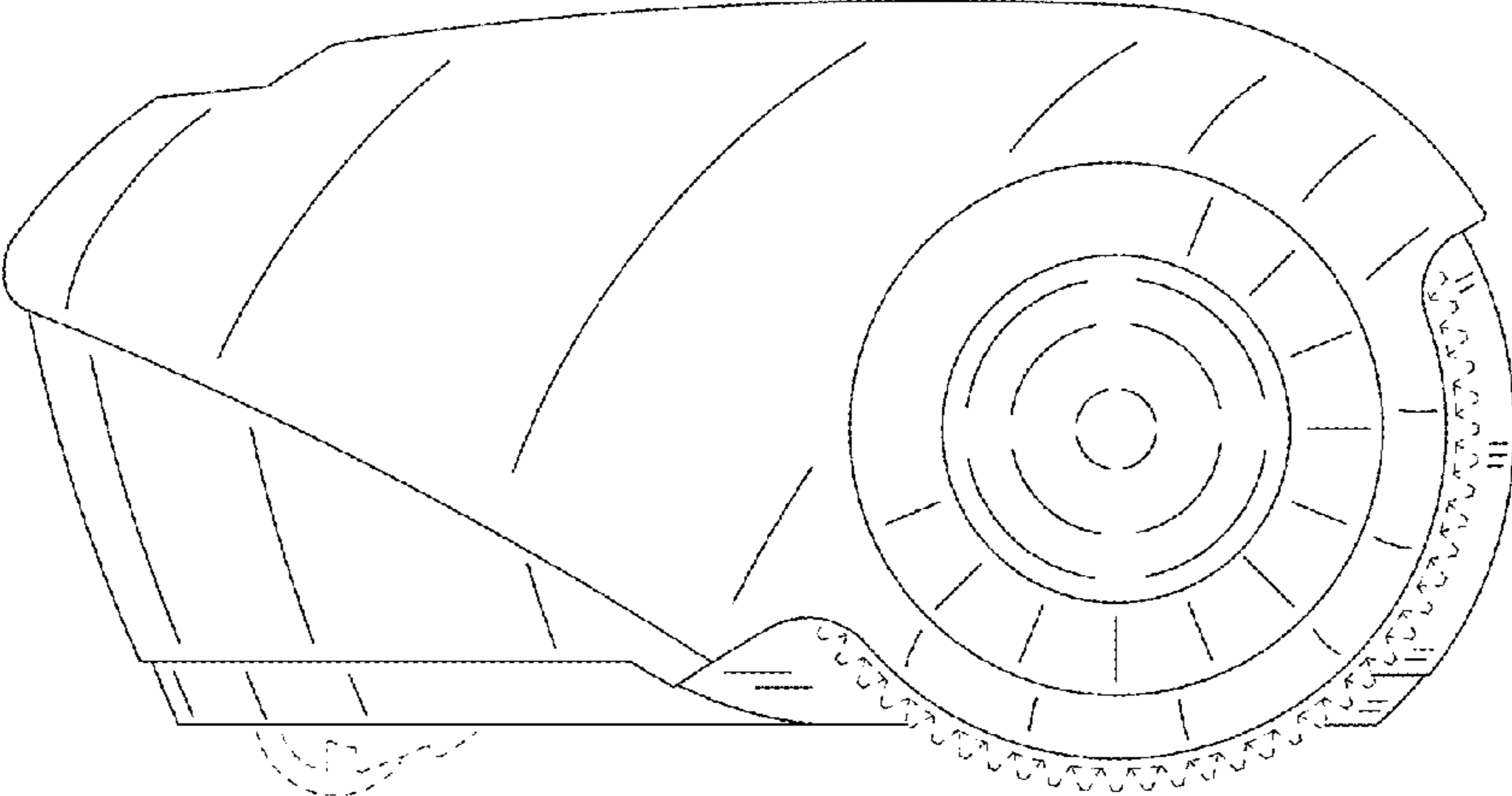


FIG. 5

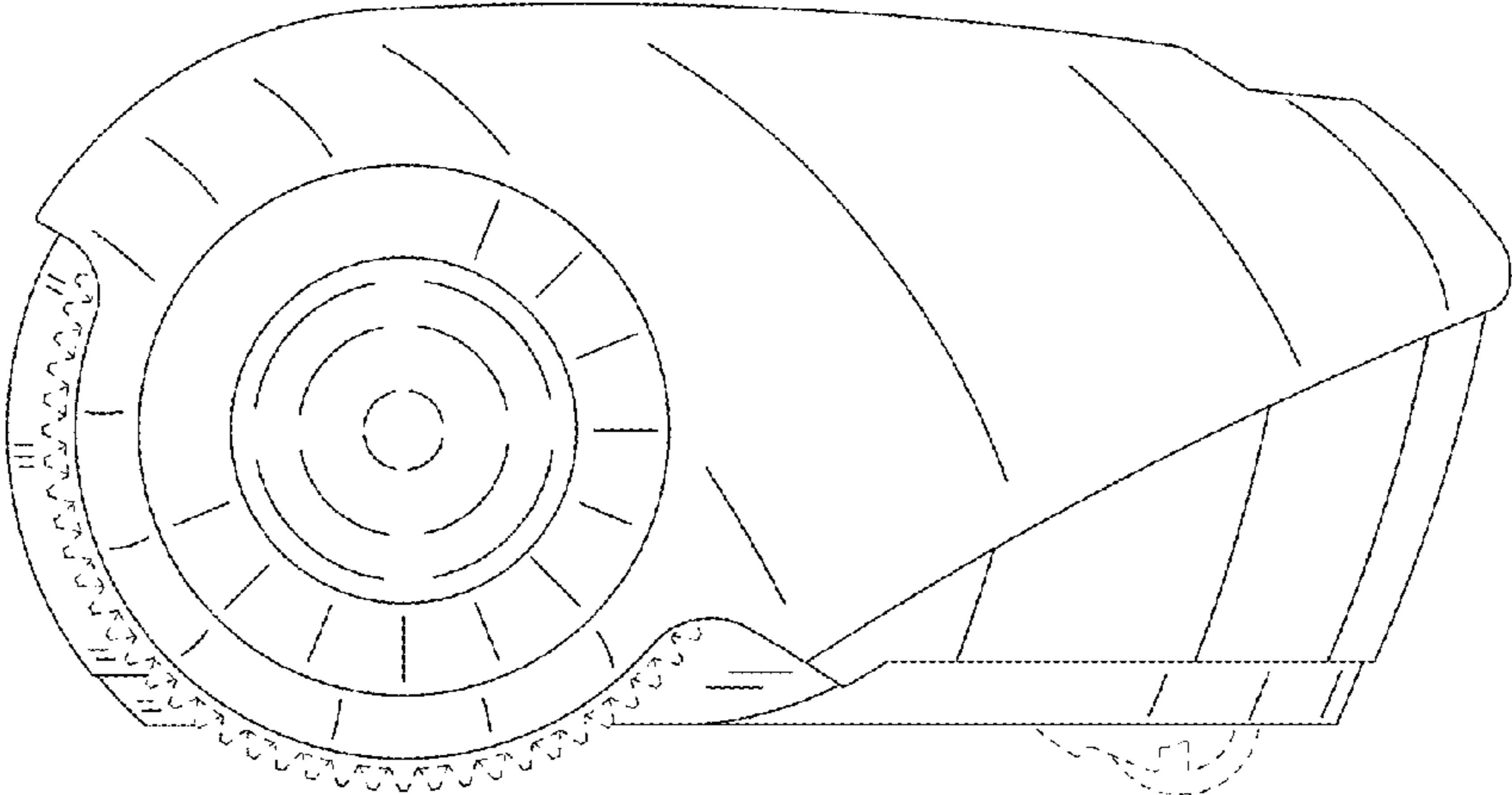




FIG. 6

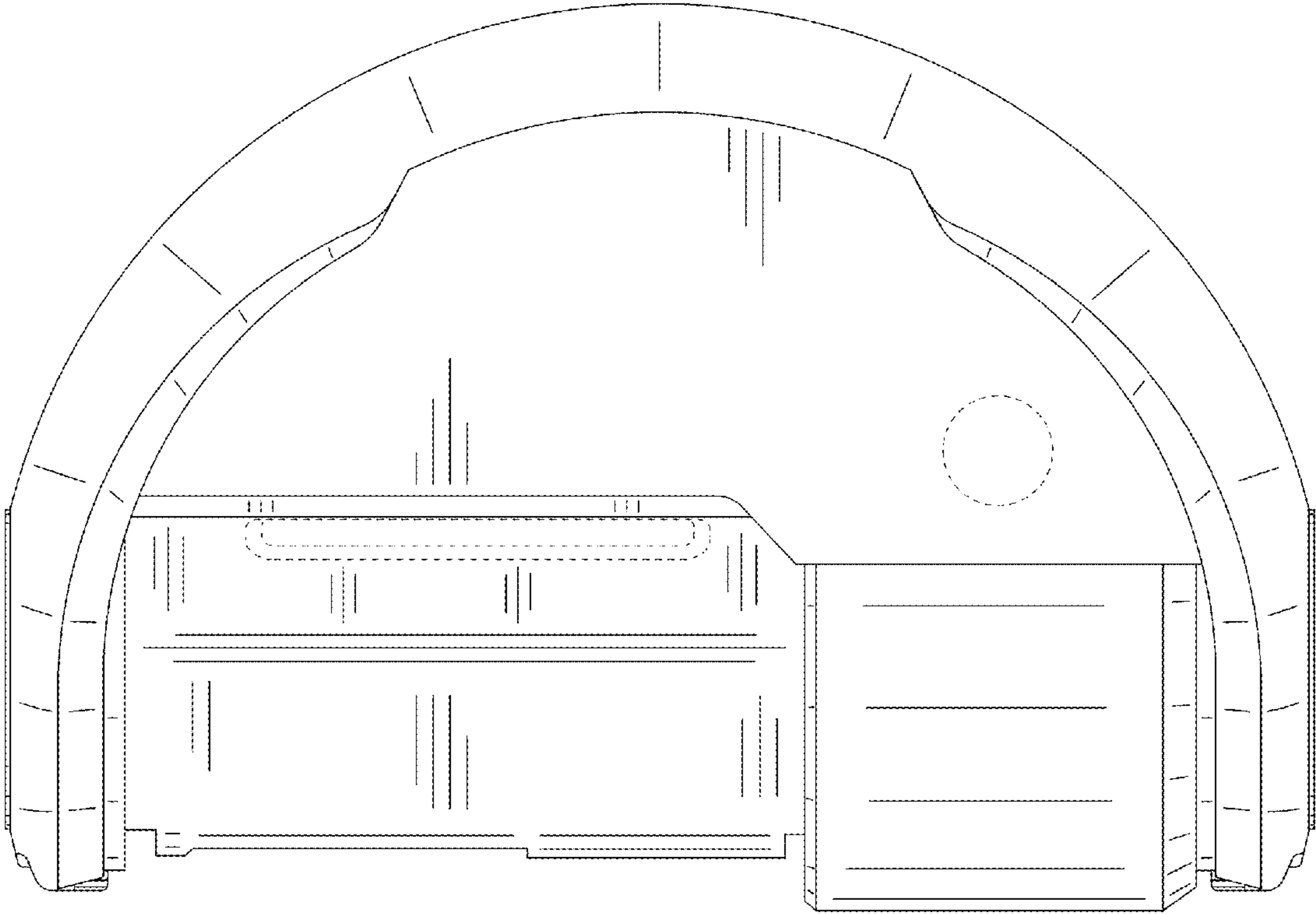


FIG. 7

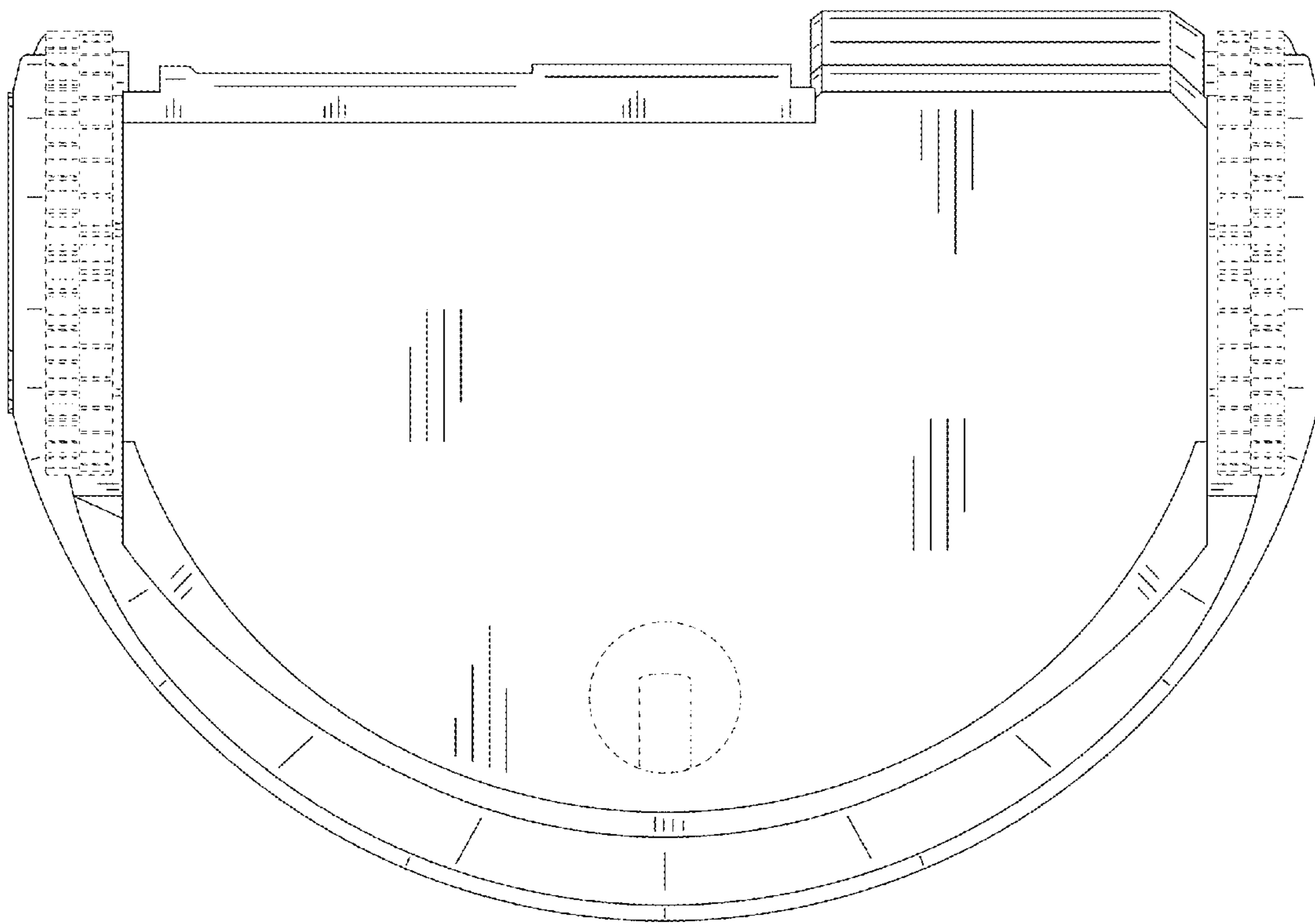




FIG. 8

