



US00D744708S

(12) **United States Design Patent**  
**Cheon et al.**

(10) **Patent No.:** **US D744,708 S**  
(45) **Date of Patent:** **\*\* Dec. 1, 2015**

(54) **CLEANER BRUSH**

(56) **References Cited**

(71) Applicant: **Samsung Electronics Co., Ltd.**,  
Suwon-si (KR)

U.S. PATENT DOCUMENTS

(72) Inventors: **Dongwon Cheon**, Seoul (KR); **Yuna Park**, Seoul (KR)

6,581,239	B1 *	6/2003	Dyson et al. ....	15/340.3
D503,251	S *	3/2005	Christianson .....	D32/21
D548,411	S *	8/2007	Schroter .....	D32/21
D551,815	S *	9/2007	Schroeter .....	D32/21
D593,265	S *	5/2009	Carr et al. ....	D32/21
D621,108	S *	8/2010	Santiago .....	D32/32
D658,341	S *	4/2012	Nam et al. ....	D32/21
D678,635	S *	3/2013	Gammack et al. ....	D32/32
D686,379	S *	7/2013	Kim et al. ....	D32/32
D706,504	S *	6/2014	Park et al. ....	D32/33
D714,003	S *	9/2014	Casini .....	D32/21
D720,103	S *	12/2014	Haug et al. ....	D32/21
2004/0204792	A1 *	10/2004	Taylor et al. ....	700/245
2008/0276407	A1 *	11/2008	Schnittman et al. ....	15/319
2009/0281661	A1 *	11/2009	Dooley et al. ....	700/258
2011/0088203	A1 *	4/2011	Song et al. ....	15/339
2014/0130290	A1 *	5/2014	Jang et al. ....	15/319
2014/0259475	A1 *	9/2014	Doughty .....	15/52.1

(73) Assignee: **Samsung Electronics Co., Ltd.**,  
Suwon-si (KR)

(\*\*) Term: **14 Years**

(21) Appl. No.: **29/485,286**

(22) Filed: **Mar. 18, 2014**

(30) **Foreign Application Priority Data**

Sep. 26, 2013 (KR) ..... 30-2013-0049119

(51) **LOC (10) Cl.** ..... **15-05**

(52) **U.S. Cl.**  
USPC ..... **D32/31**

(58) **Field of Classification Search**

USPC ..... D32/19-21, 25, 31-33; D4/102, 127,  
D4/128, 133, 136

CPC ..... A47J 37/0713; A47L 9/2842; A47L  
2201/00; A47L 5/30; A47L 5/28; A47L  
5/362; A47L 9/04; A46B 13/005; A46B  
13/001; A61C 17/26; G06N 3/008; B25J  
9/1697; G01S 13/931; B62D 58/032; B62D  
57/032; E01H 1/053; E01H 1/02

See application file for complete search history.

\* cited by examiner

*Primary Examiner* — Ruth McInroy  
(74) *Attorney, Agent, or Firm* — NSIP Law

(57) **CLAIM**

We claim the ornamental design for a cleaner brush, as shown and described.

**DESCRIPTION**

FIG. 1 is a front perspective view of a cleaner brush showing our new design;  
FIG. 2 is a front view thereof;  
FIG. 3 is a rear view thereof;  
FIG. 4 is a left-side view thereof;  
FIG. 5 is a right-side view thereof;  
FIG. 6 is a top view thereof; and,  
FIG. 7 is a front perspective view thereof.  
The broken lines are for environmental purposes only and form no part of the claimed design.

**1 Claim, 7 Drawing Sheets**

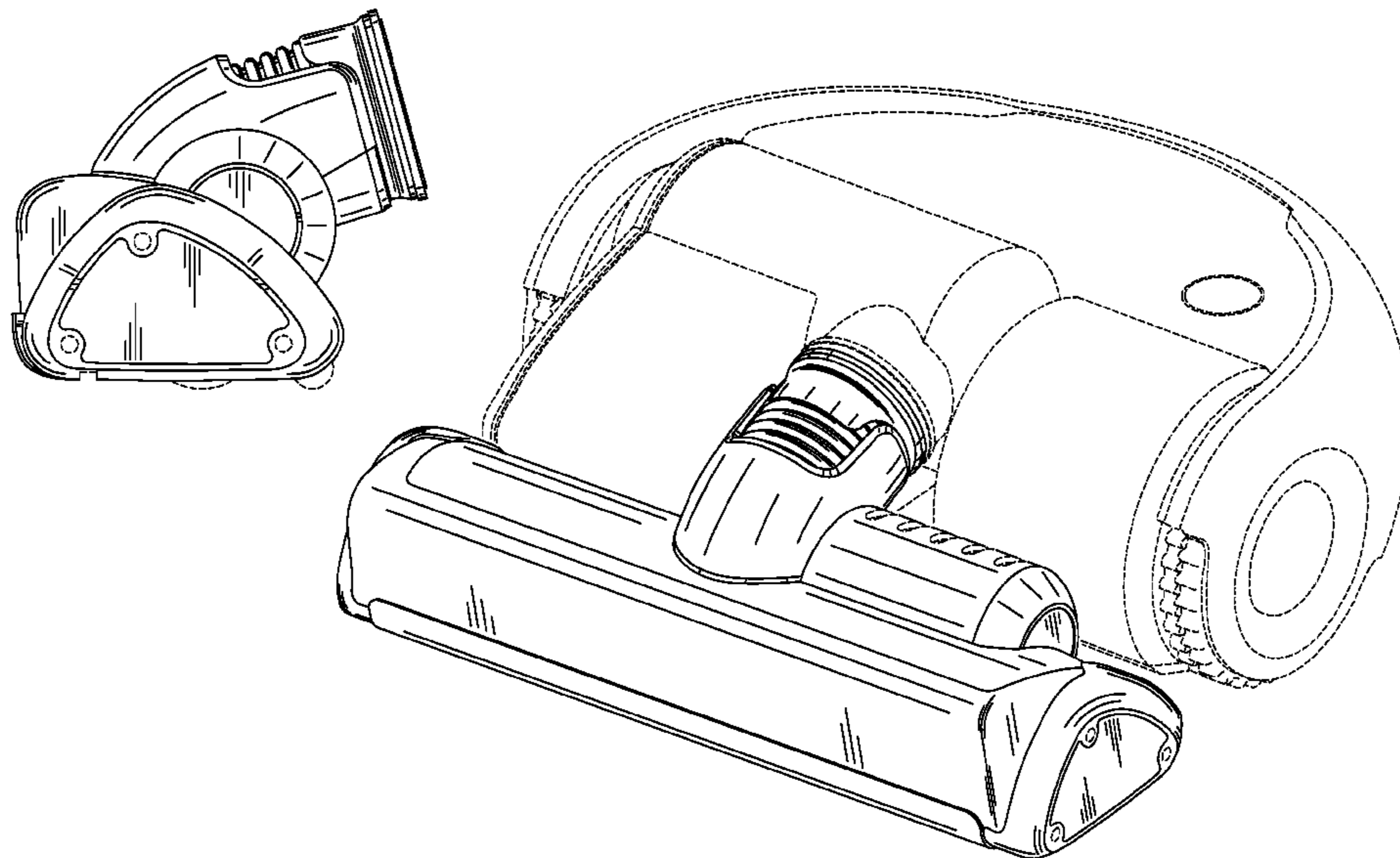


FIG. 1

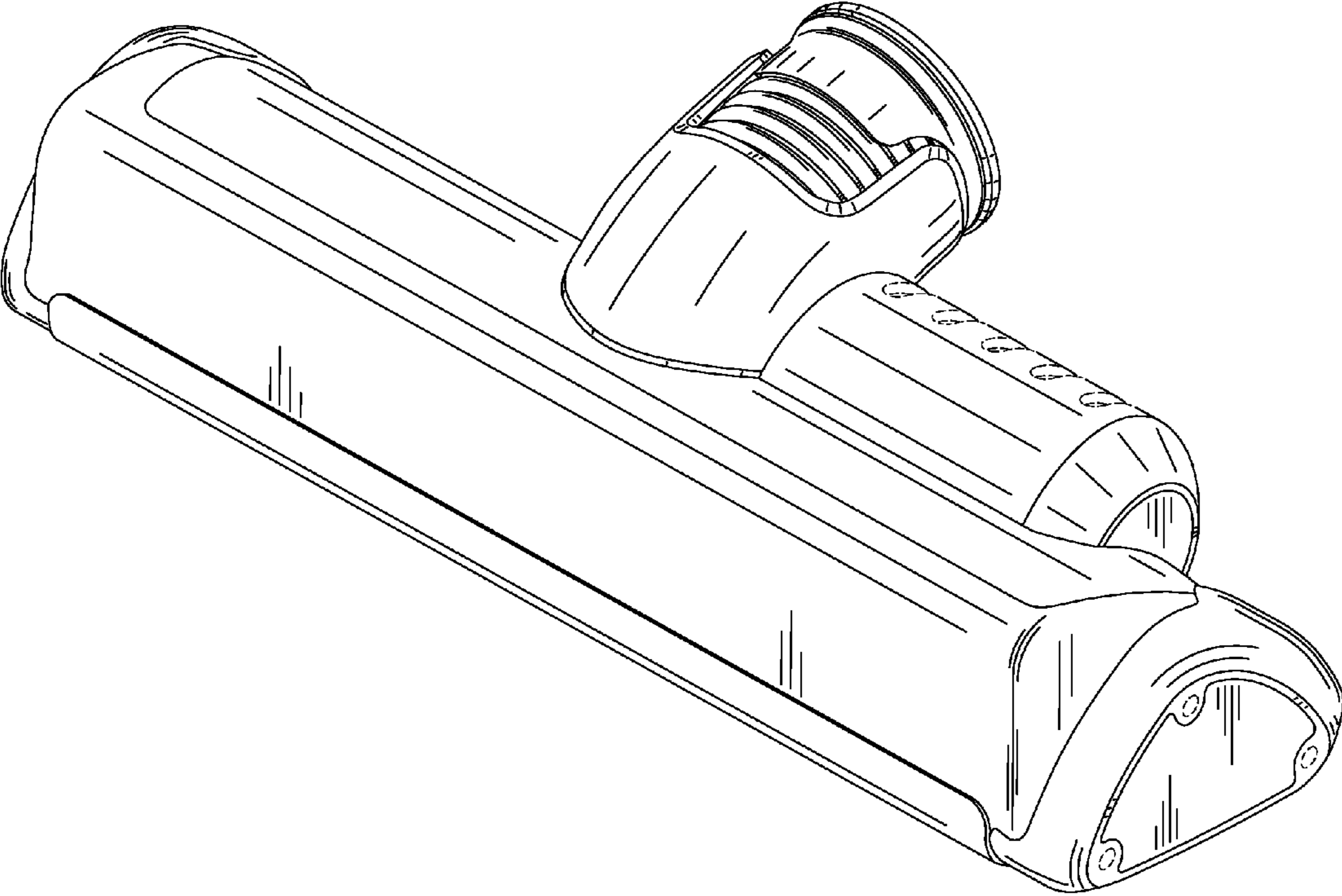


FIG.2

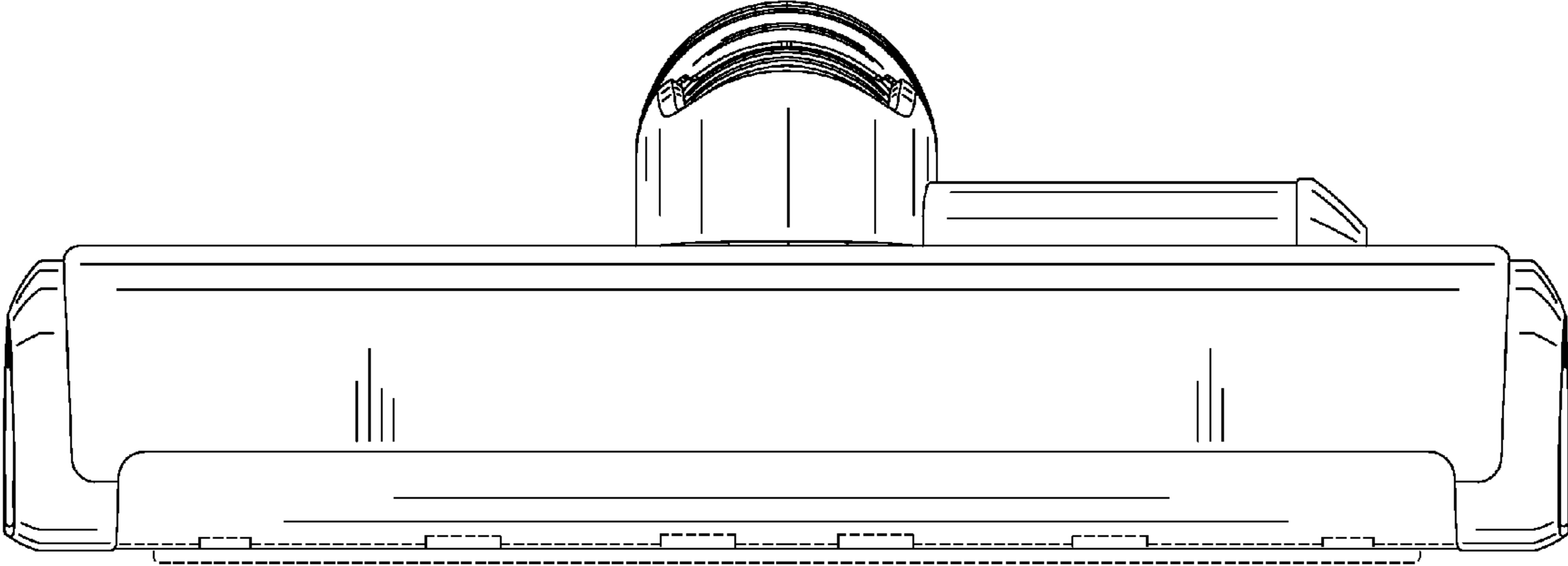


FIG. 3

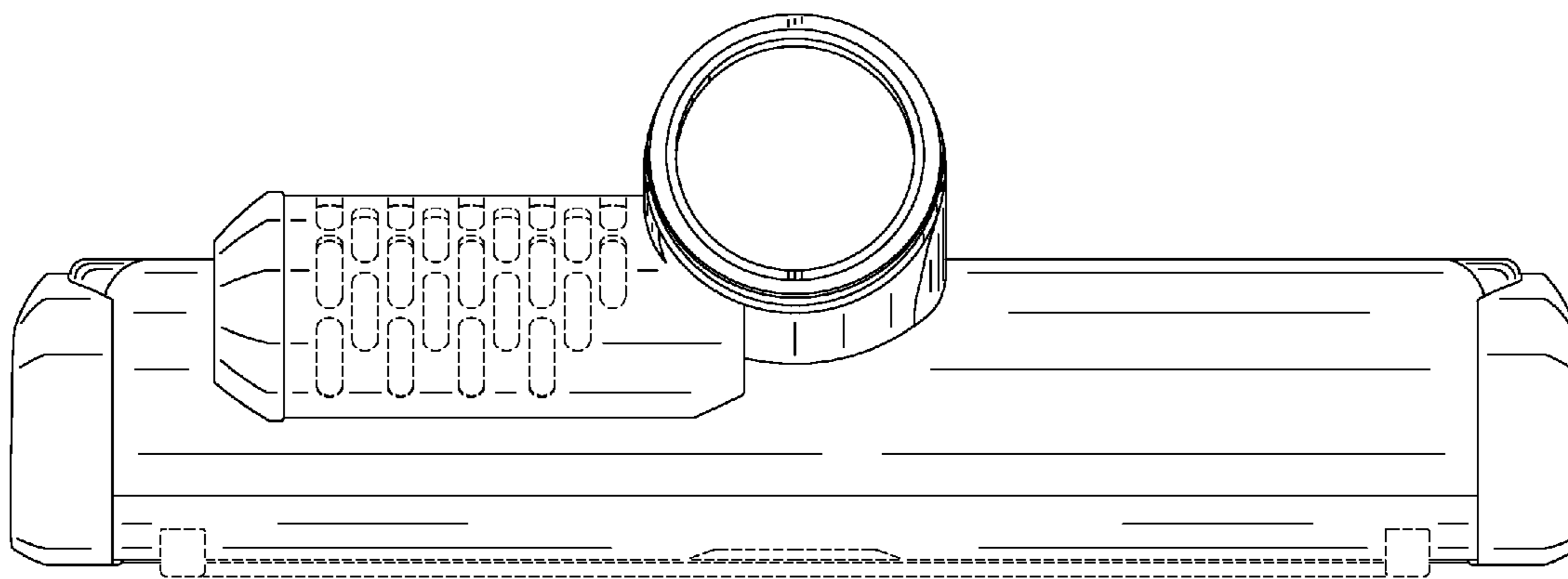


FIG. 4

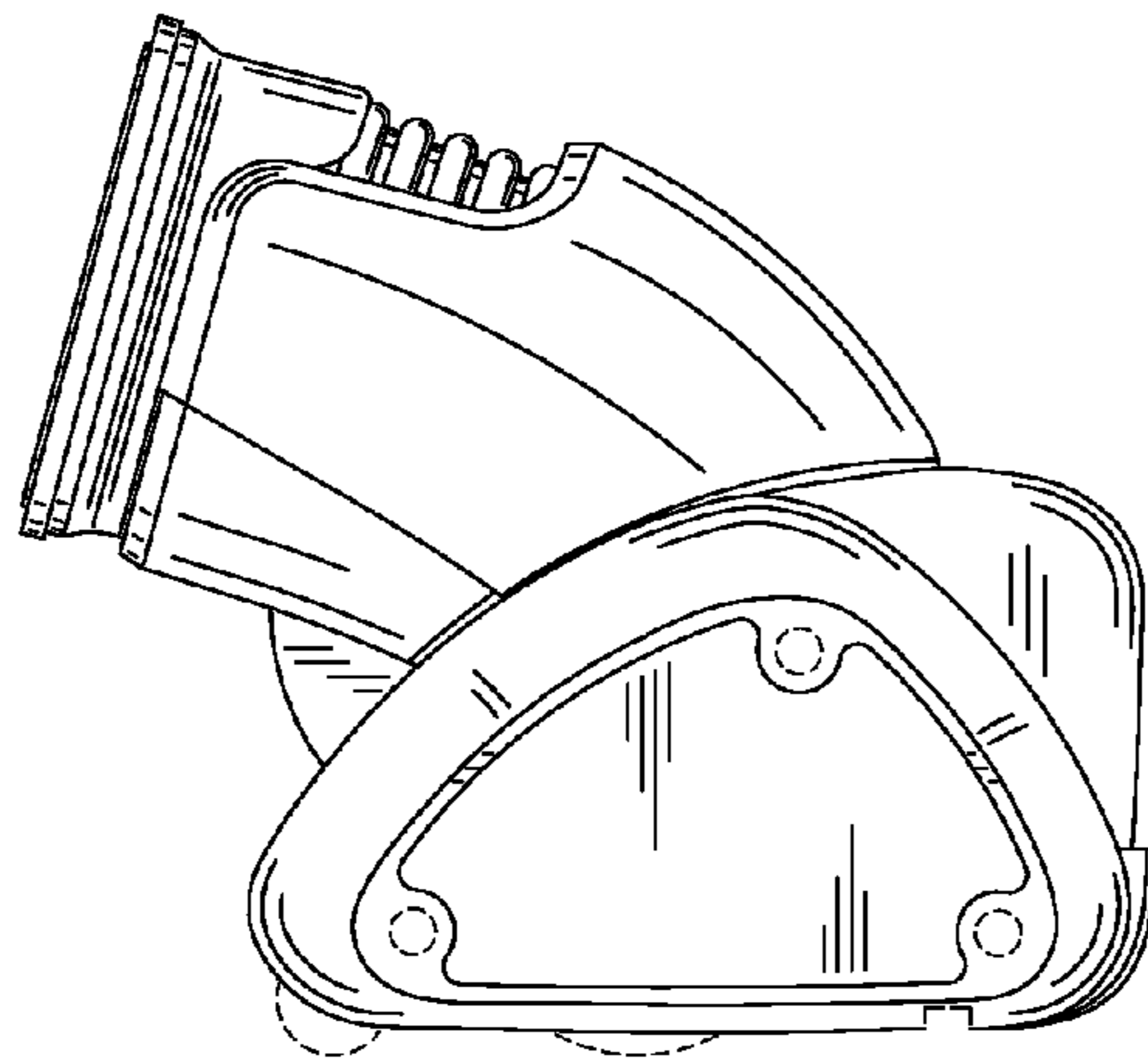


FIG. 5

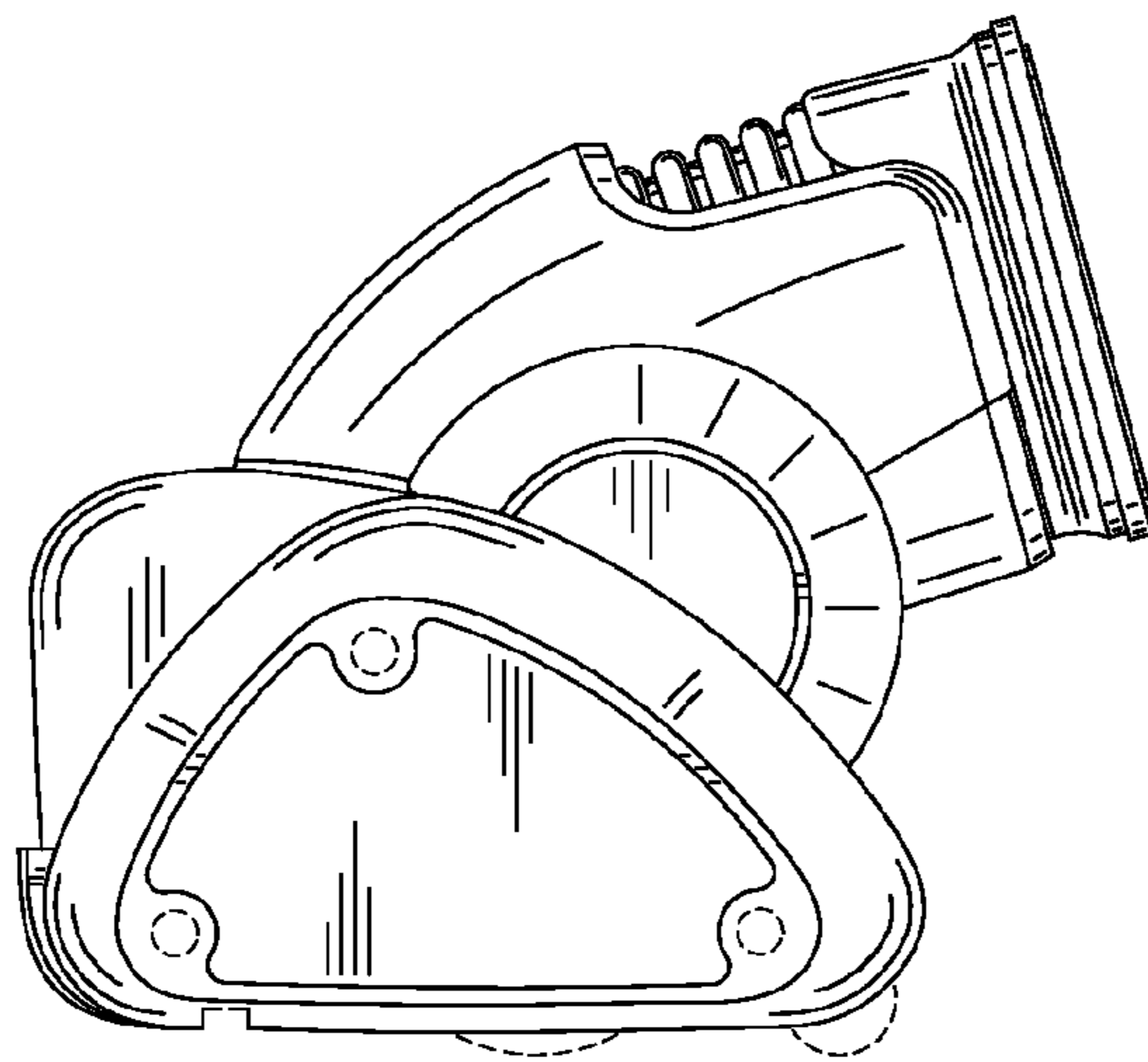


FIG. 6

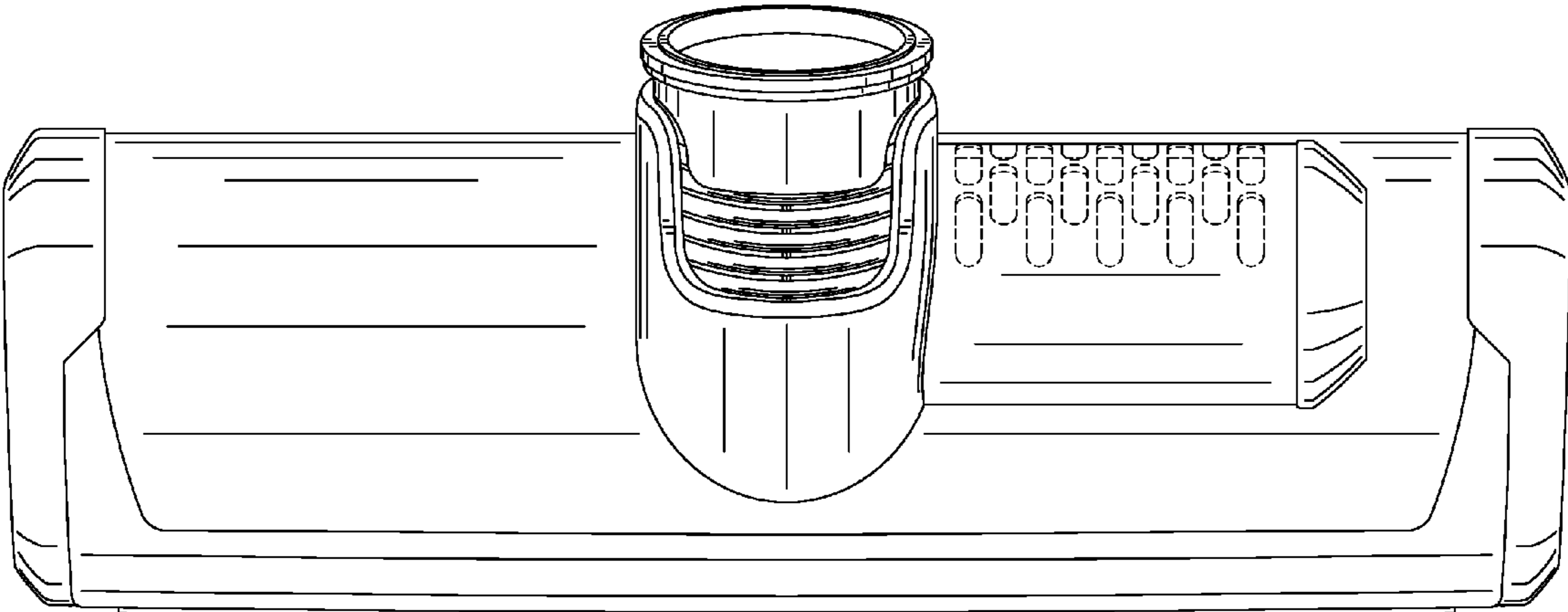




FIG. 7

