



US00D744706S

(12) **United States Design Patent**
Heck et al.

(10) **Patent No.:** **US D744,706 S**

(45) **Date of Patent:** **** Dec. 1, 2015**

(54) **ROBOT CLEANER**

58/032; B62D 57/032; E01H 1/053; E01H 1/02

(71) Applicant: **Samsung Electronics Co., Ltd.**,
Suwon-si (KR)

See application file for complete search history.

(72) Inventors: **Felix Heck**, Munich (DE); **YuNa Oh**,
Munich (DE); **JuSuek Lee**, Munich
(DE); **Youna Kim**, Yongin-Si (KR);
YeonYoung Nam, Goyang-si (KR);
Jaeho Jang, Seoul (KR)

(56) **References Cited**

U.S. PATENT DOCUMENTS

| | | | | | | |
|--------------|----|---|---------|-----------------|-------|----------|
| D686,380 | S | * | 7/2013 | Bruneel | | D32/32 |
| D690,478 | S | * | 9/2013 | Li et al. | | D32/21 |
| D700,758 | S | * | 3/2014 | Jeong et al. | | D32/31 |
| D709,255 | S | * | 7/2014 | Wang et al. | | D32/21 |
| D715,504 | S | * | 10/2014 | Deoksang et al. | | D32/21 |
| D717,506 | S | * | 11/2014 | Jaeyoul et al. | | D32/31 |
| D720,103 | S | * | 12/2014 | Haug et al. | | D32/21 |
| D720,511 | S | * | 12/2014 | Shin et al. | | D32/21 |
| 2008/0086838 | A1 | * | 4/2008 | Yoo et al. | | 15/415.1 |

(73) Assignee: **Samsung Electronics Co., Ltd.**,
Suwon-si (KR)

(**) Term: **14 Years**

* cited by examiner

(21) Appl. No.: **29/484,507**

Primary Examiner — Ruth McInroy

(22) Filed: **Mar. 10, 2014**

(74) *Attorney, Agent, or Firm* — NSIP Law

(30) **Foreign Application Priority Data**

Sep. 17, 2013 (KR) 30-2013-0048096

(57) **CLAIM**

We claim the ornamental design for a robot cleaner, as shown and described.

(51) **LOC (10) Cl.** **15-05**

DESCRIPTION

(52) **U.S. Cl.**
USPC **D32/21**

FIG. 1 is a front perspective view of a robot cleaner showing our new design;
FIG. 2 is a front view thereof;
FIG. 3 is a rear view thereof;
FIG. 4 is a left-side view thereof;
FIG. 5 is a right-side view thereof;
FIG. 6 is a top view thereof; and,
FIG. 7 is a bottom view thereof.

(58) **Field of Classification Search**
USPC D32/19–21, 25, 31–33; D4/102, 127,
D4/128, 133, 136
CPC A47J 37/0713; A47L 9/2842; A47L
2201/00; A47L 5/30; A47L 5/28; A47L
5/362; A47L 9/04; A47L 11/24; A46B
13/005; A46B 13/001; A61C 17/26; G06N
3/008; B25J 9/1697; G01S 13/931; B62D

The broken lines in the figures show portions of the robot cleaner which form no part of the claimed design.

1 Claim, 7 Drawing Sheets

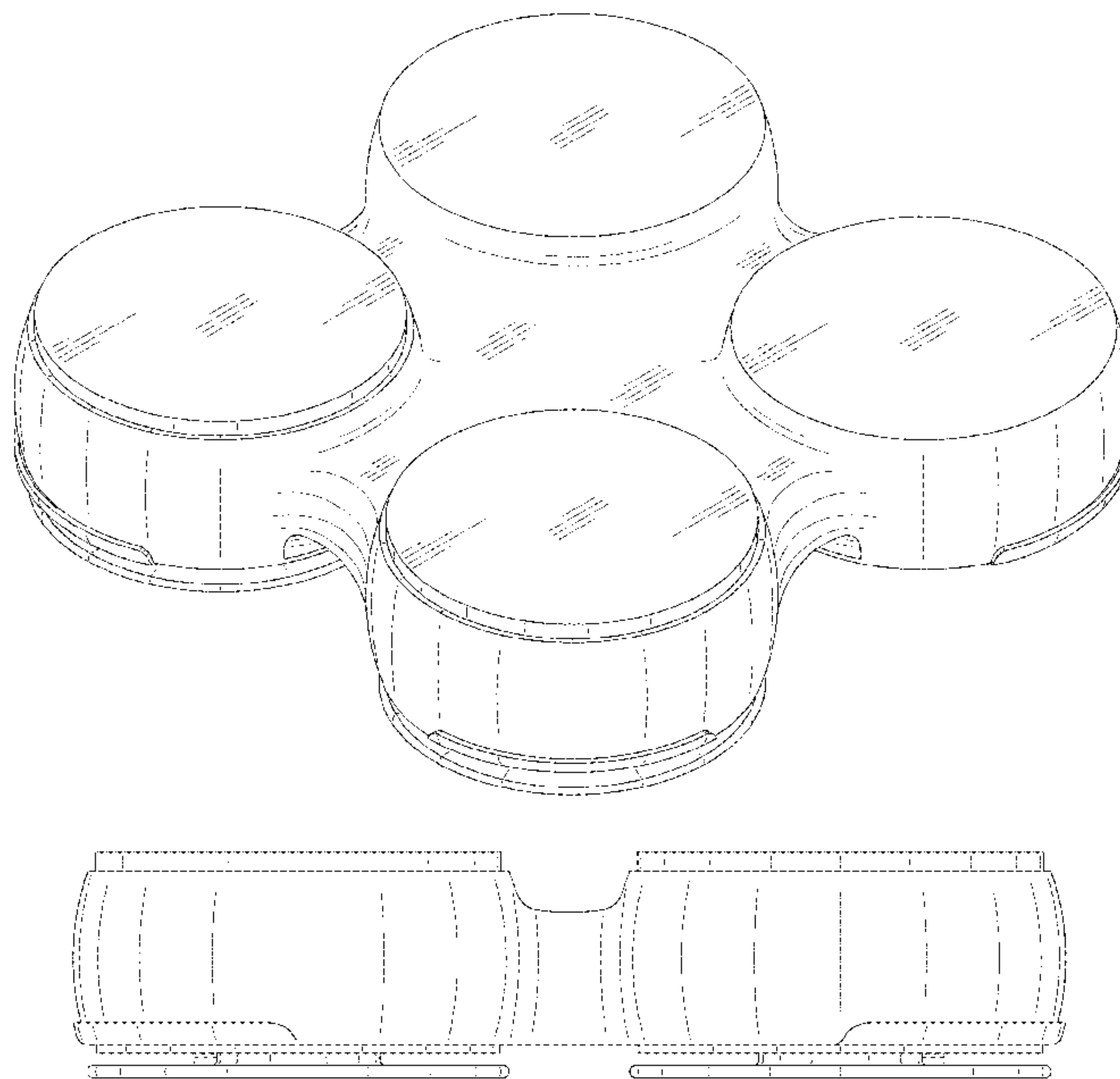


FIG.1

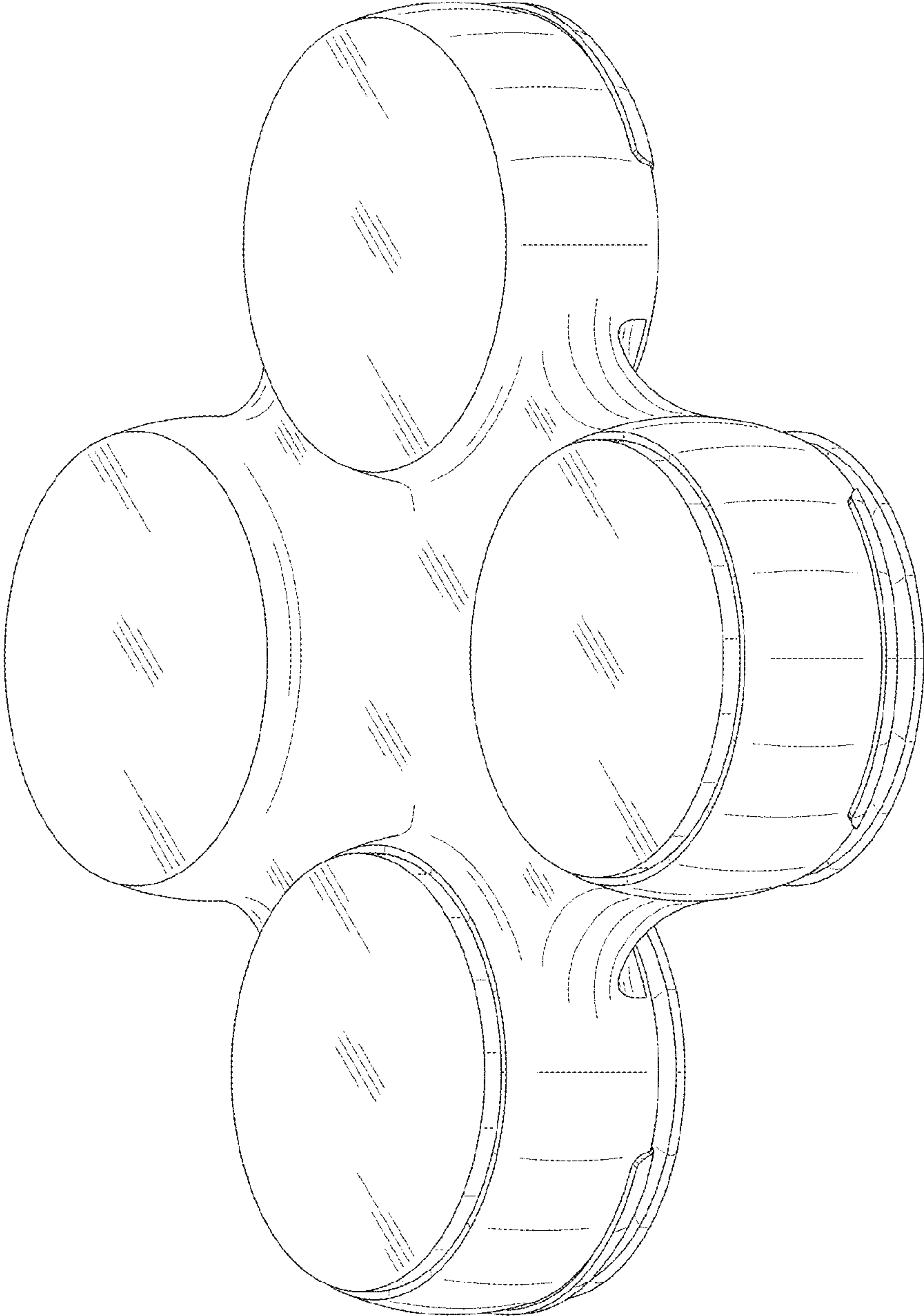


FIG. 2

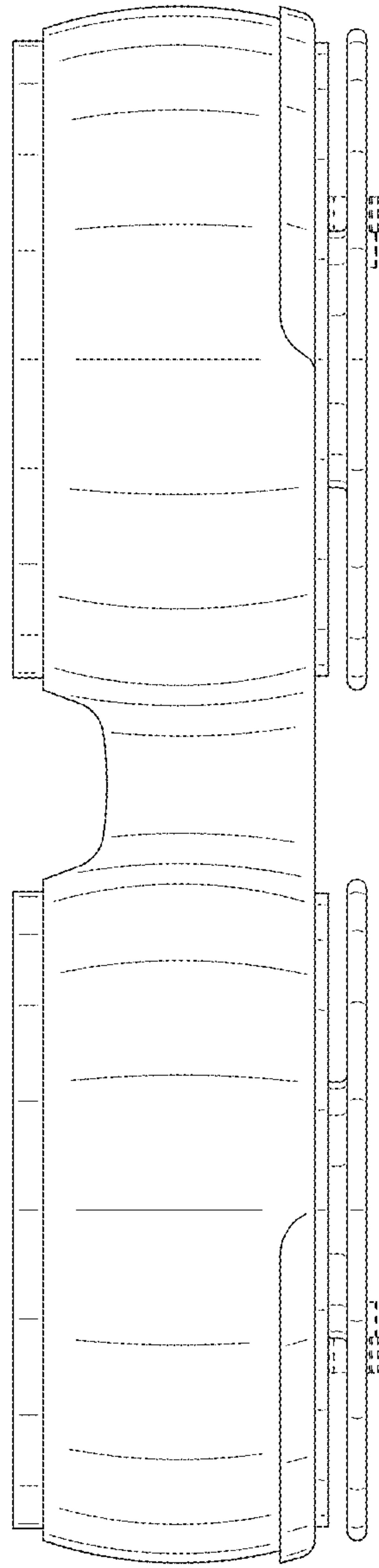


FIG. 3

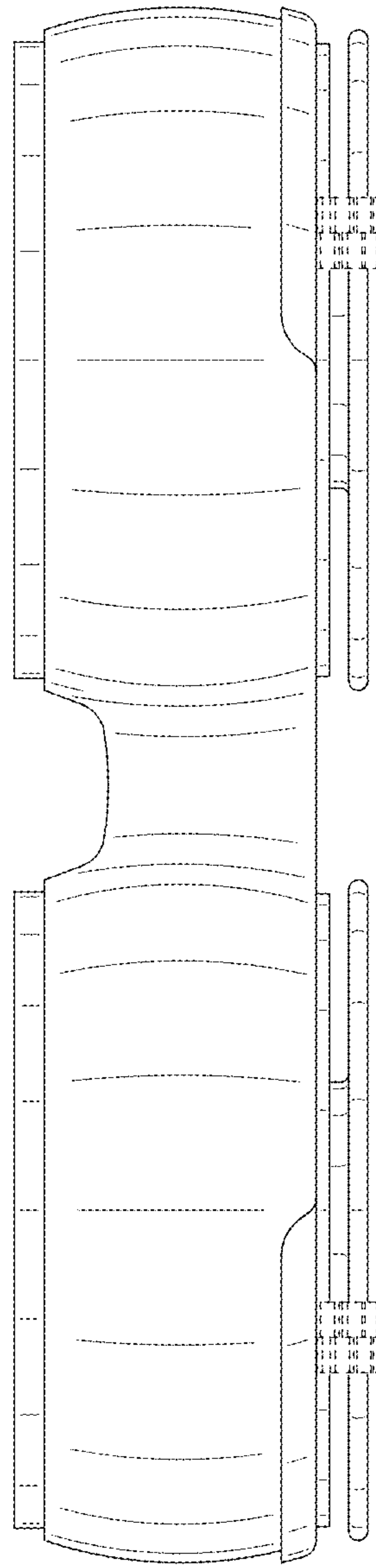


FIG.4

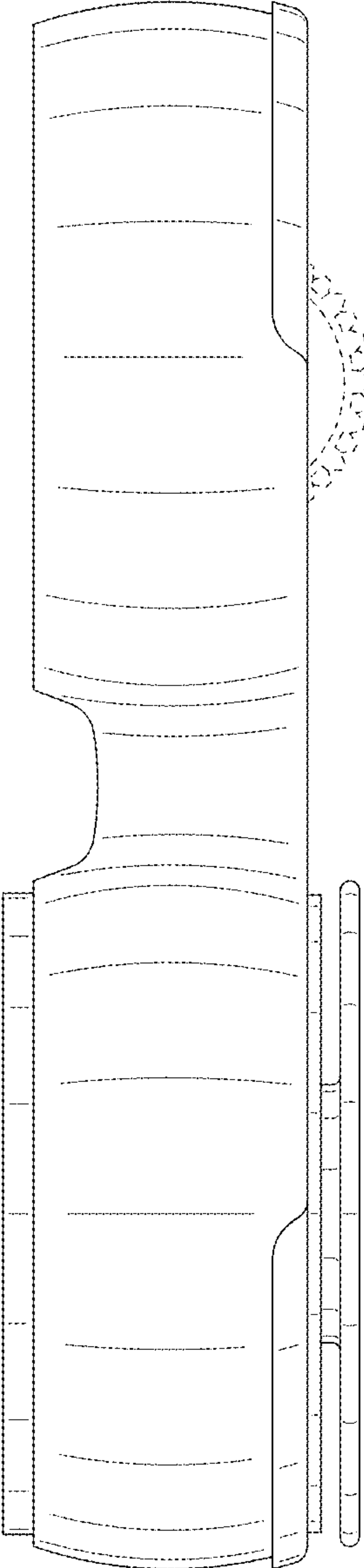


FIG. 5

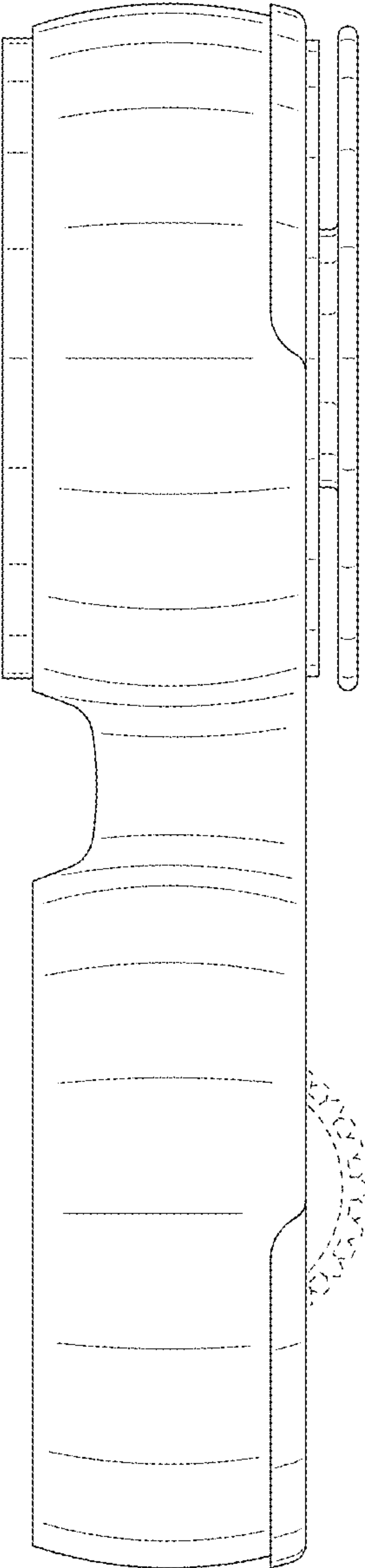


FIG. 6

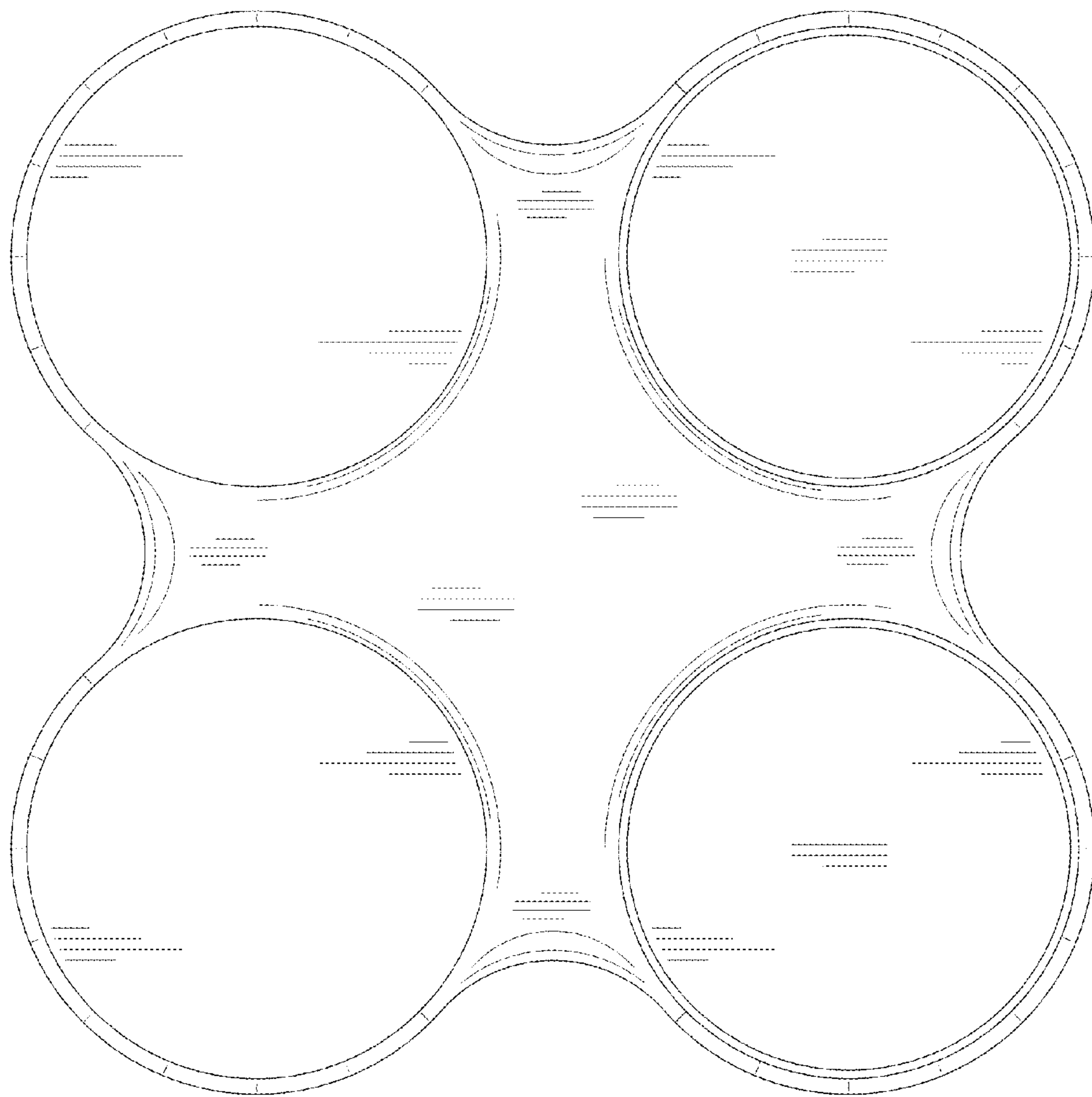


FIG. 7

