



US00D744704S

(12) **United States Design Patent**
Ha et al.

(10) **Patent No.:** **US D744,704 S**
(45) **Date of Patent:** **** Dec. 1, 2015**

(54) **WASHING MACHINE**

(71) Applicant: **LG Electronics Inc.**, Seoul (KR)

(72) Inventors: **Youngsoo Ha**, Seoul (KR); **Jonghee Han**, Gyeonggi-do (KR); **Jeaseok Seong**, Gyeonggi-do (KR); **On Kim**, Seoul (KR); **Hyerim An**, Seoul (KR); **Kyungah Lee**, Gyeonggi-do (KR)

(73) Assignee: **LG Electronics Inc.**, Seoul (KR)

(**) Term: **14 Years**

(21) Appl. No.: **29/462,878**

(22) Filed: **Aug. 9, 2013**

(30) **Foreign Application Priority Data**

Apr. 18, 2013 (KR) 30-2013-0020385

(51) **LOC (10) Cl.** **15-05**

(52) **U.S. Cl.**
USPC **D32/6**

(58) **Field of Classification Search**
USPC D32/6, 25, 5, 8, 10; 68/3 R, 4, 5 R, 12, 68/12.07, 12.08, 212; 34/87-88, 523-524
See application file for complete search history.

(56) **References Cited**

U.S. PATENT DOCUMENTS

D557,466	S	*	12/2007	Suh	D32/6
D582,106	S	*	12/2008	Kim et al.	D32/6
D582,107	S	*	12/2008	Ha et al.	D32/6
D584,865	S	*	1/2009	Kim et al.	D32/6
D589,215	S	*	3/2009	Cho et al.	D32/6
D614,366	S	*	4/2010	Shor	D32/6
D618,863	S	*	6/2010	Jeon et al.	D32/6
D619,313	S	*	7/2010	Cline et al.	D32/25
D627,114	S	*	11/2010	Jeon et al.	D32/6
D627,115	S	*	11/2010	Jeon et al.	D32/6
D627,529	S	*	11/2010	Jeon et al.	D32/6

D631,623	S	*	1/2011	Chung et al.	D32/6
D633,262	S	*	2/2011	Jeon et al.	D32/6
D634,492	S	*	3/2011	Chung et al.	D32/6
D635,313	S	*	3/2011	Jeon et al.	D32/6
D642,753	S	*	8/2011	Ha	D32/6

(Continued)

FOREIGN PATENT DOCUMENTS

CN	300876917	*	1/2009
CN	301034039	*	10/2009

(Continued)

OTHER PUBLICATIONS

LG DLGX8001V, Announced Jul. 7, 2012, [Site Visited Feb. 19, 2015] http://www.canadianappliance.ca/product/LG_DLGX8001V_Dryers_LG_DLGX8001V.html.*

(Continued)

Primary Examiner — Eric Goodman

Assistant Examiner — Luqman McNeil

(74) *Attorney, Agent, or Firm* — Morgan, Lewis & Bockius LLP

(57) **CLAIM**

The ornamental design for a washing machine, as shown and described.

DESCRIPTION

FIG. 1 is a perspective view of a washing machine showing our new design;

FIG. 2 is a front view thereof;

FIG. 3 is a rear view thereof;

FIG. 4 is a left side view thereof;

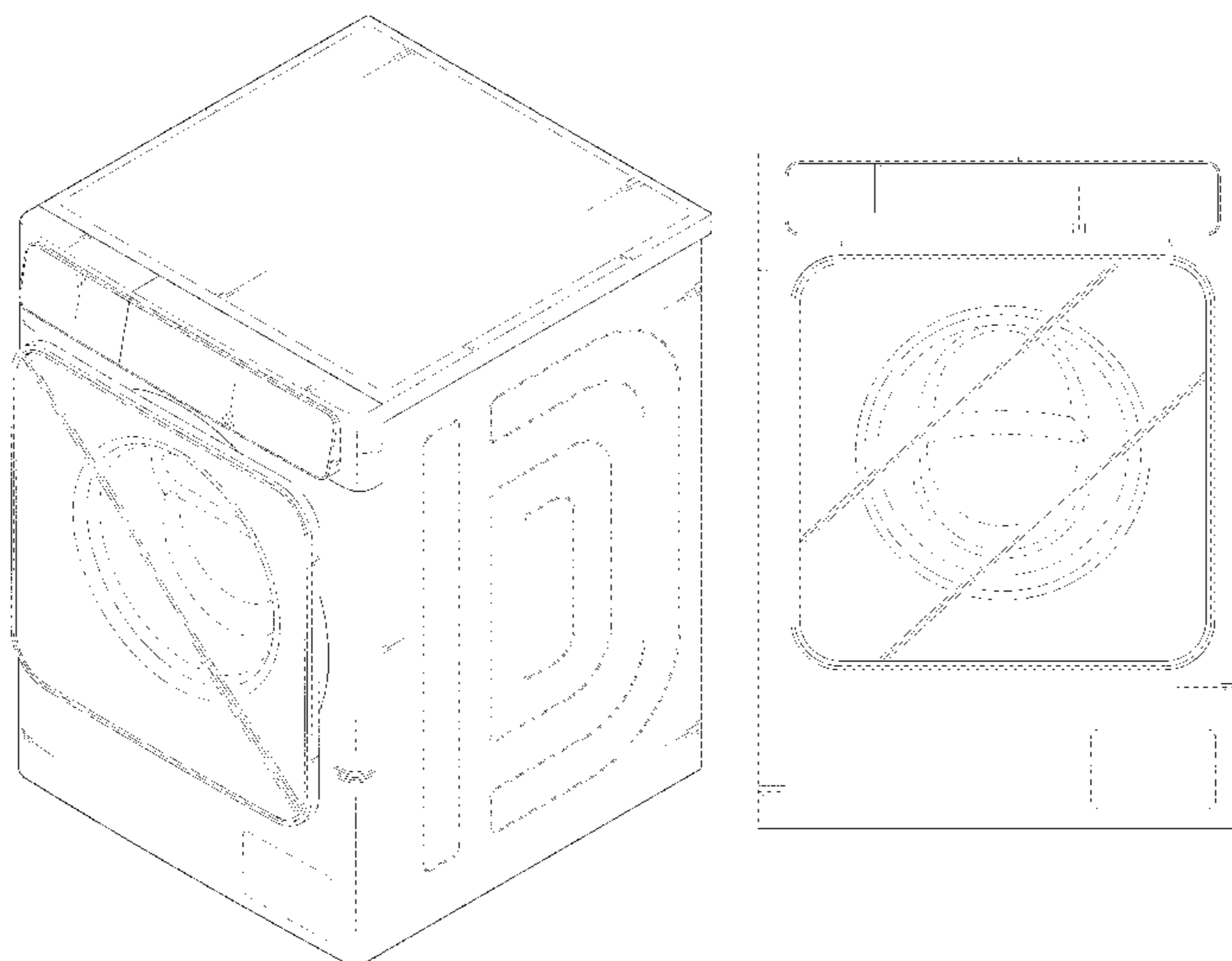
FIG. 5 is a right side view thereof;

FIG. 6 is a top plan view thereof; and,

FIG. 7 is a bottom plan view thereof.

The broken line showing is included for the purpose of illustrating environment and forms no part of the claimed design.

1 Claim, 7 Drawing Sheets



(56)

References Cited

OTHER PUBLICATIONS

U.S. PATENT DOCUMENTS

D649,722 S * 11/2011 Chung et al. D32/6
D663,907 S * 7/2012 Jeon et al. D32/6
D663,908 S * 7/2012 Jeon et al. D32/6
D703,886 S * 4/2014 Ha et al. D32/6

FOREIGN PATENT DOCUMENTS

CN 301263638 * 6/2010
JP D1257592 * 12/2005

This Beauty of Bendix Washer & Dryer Late 70's Models, 800rpm,
10lb load, H & C fill, 3kw Heater, Vented Dryer, 3 Heats, High
Airflow, Announced Jan. 1, 2011, [Site Visited Feb. 19, 2015]http://
www.automaticwasher.org/cgi-bin/TD/TD-VIEWTHREAD.
cgi?32194.*

* cited by examiner

FIG. 1

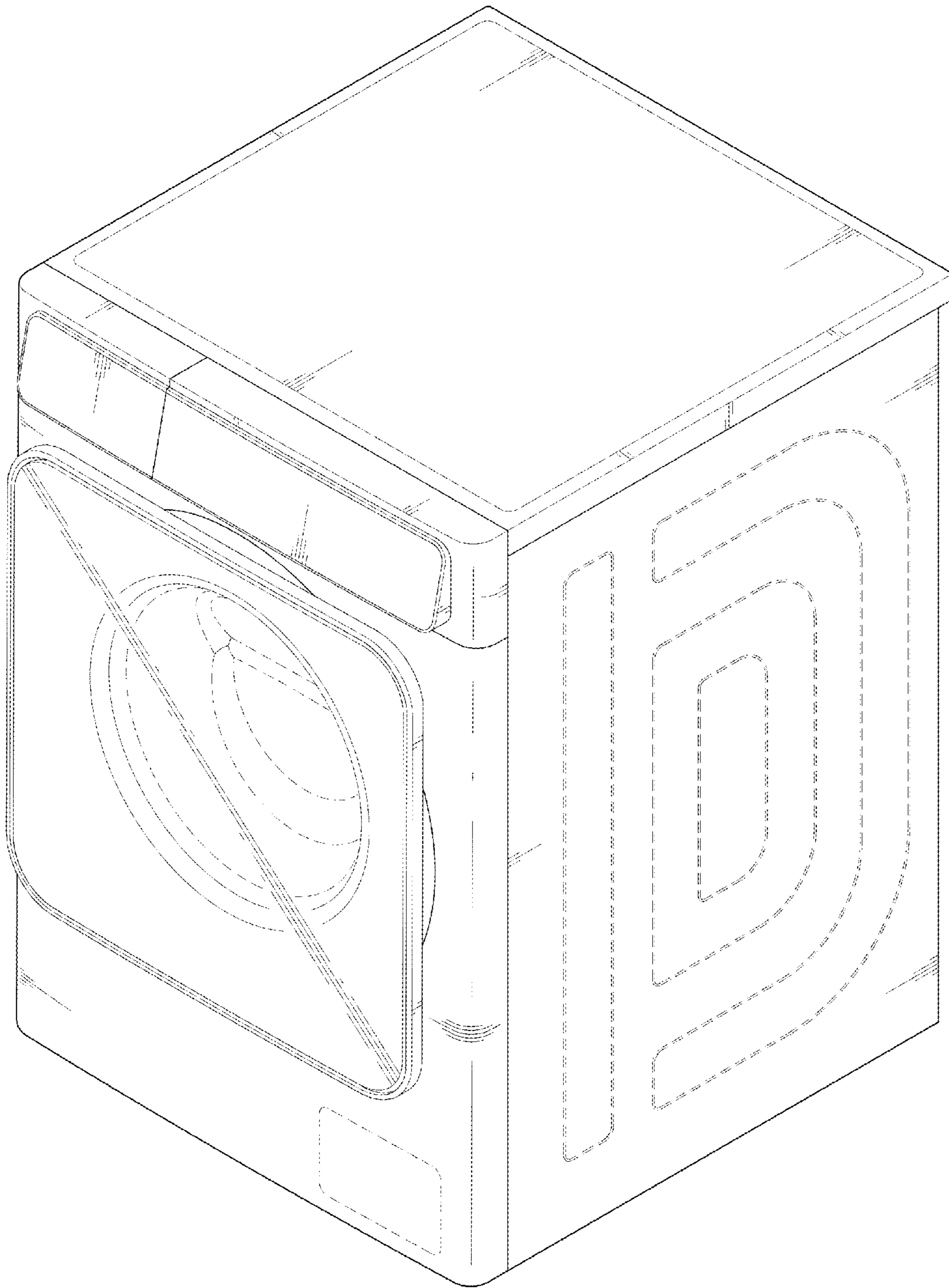


FIG. 2

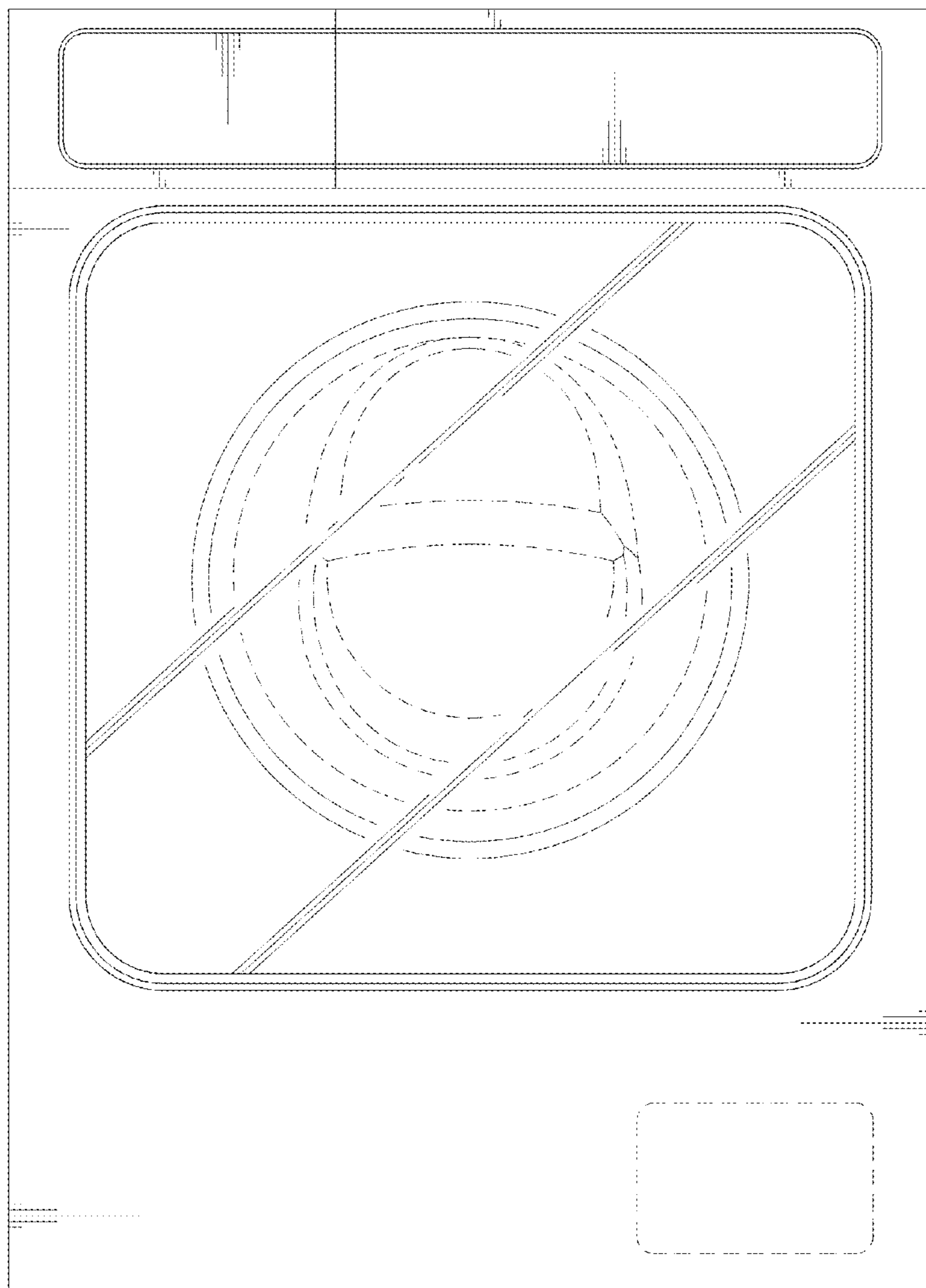


FIG. 3

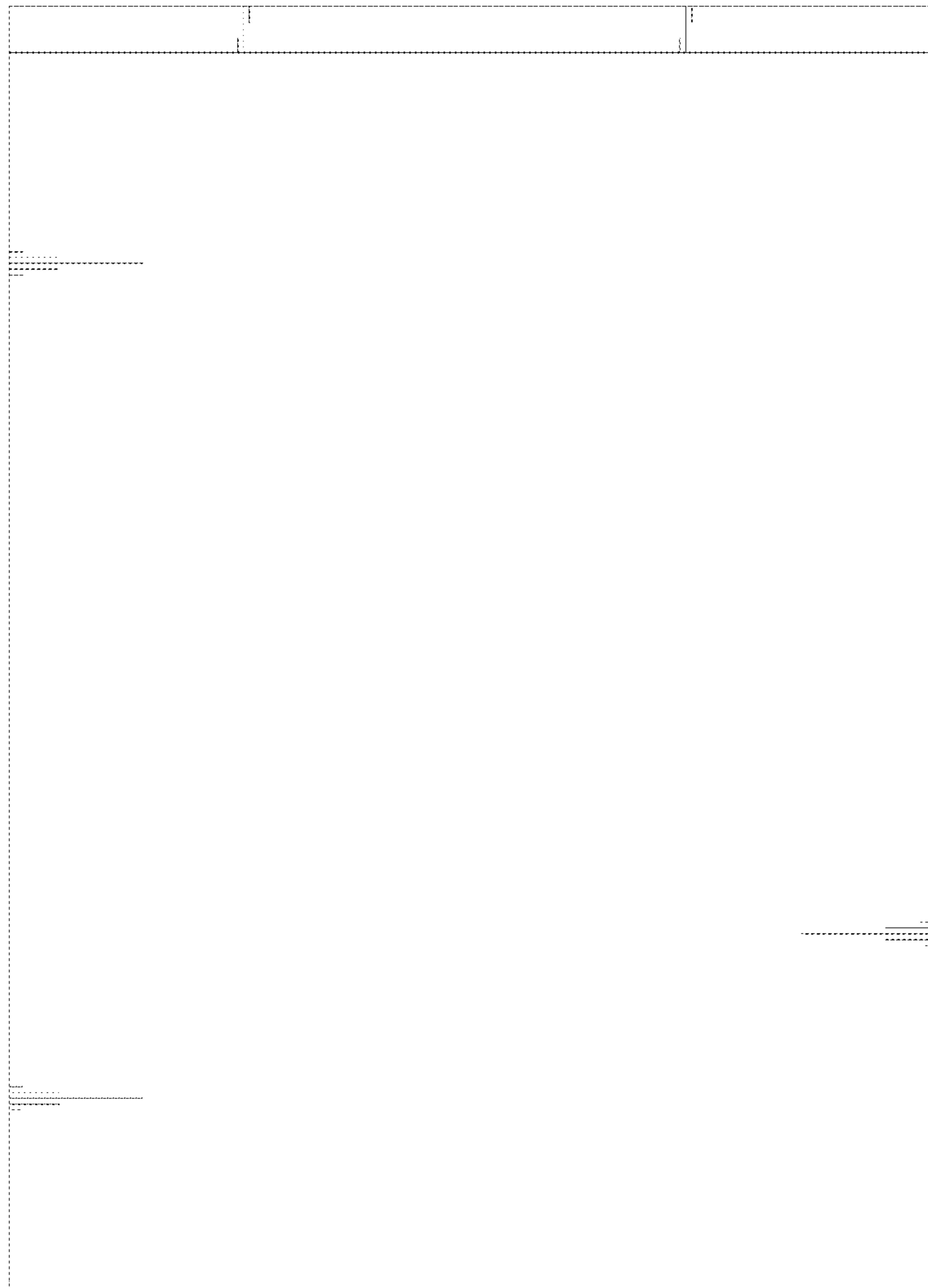


FIG. 4

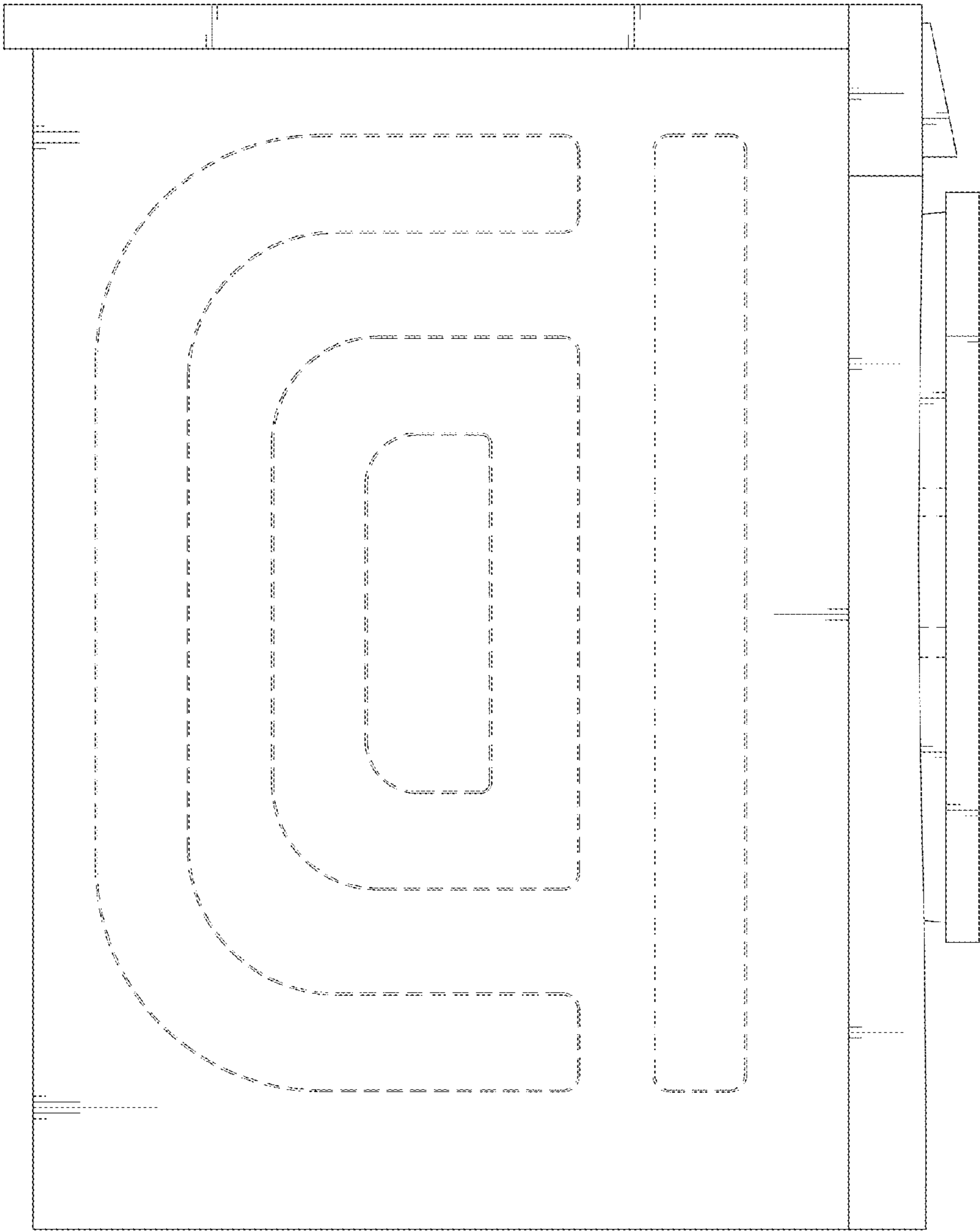


FIG. 5

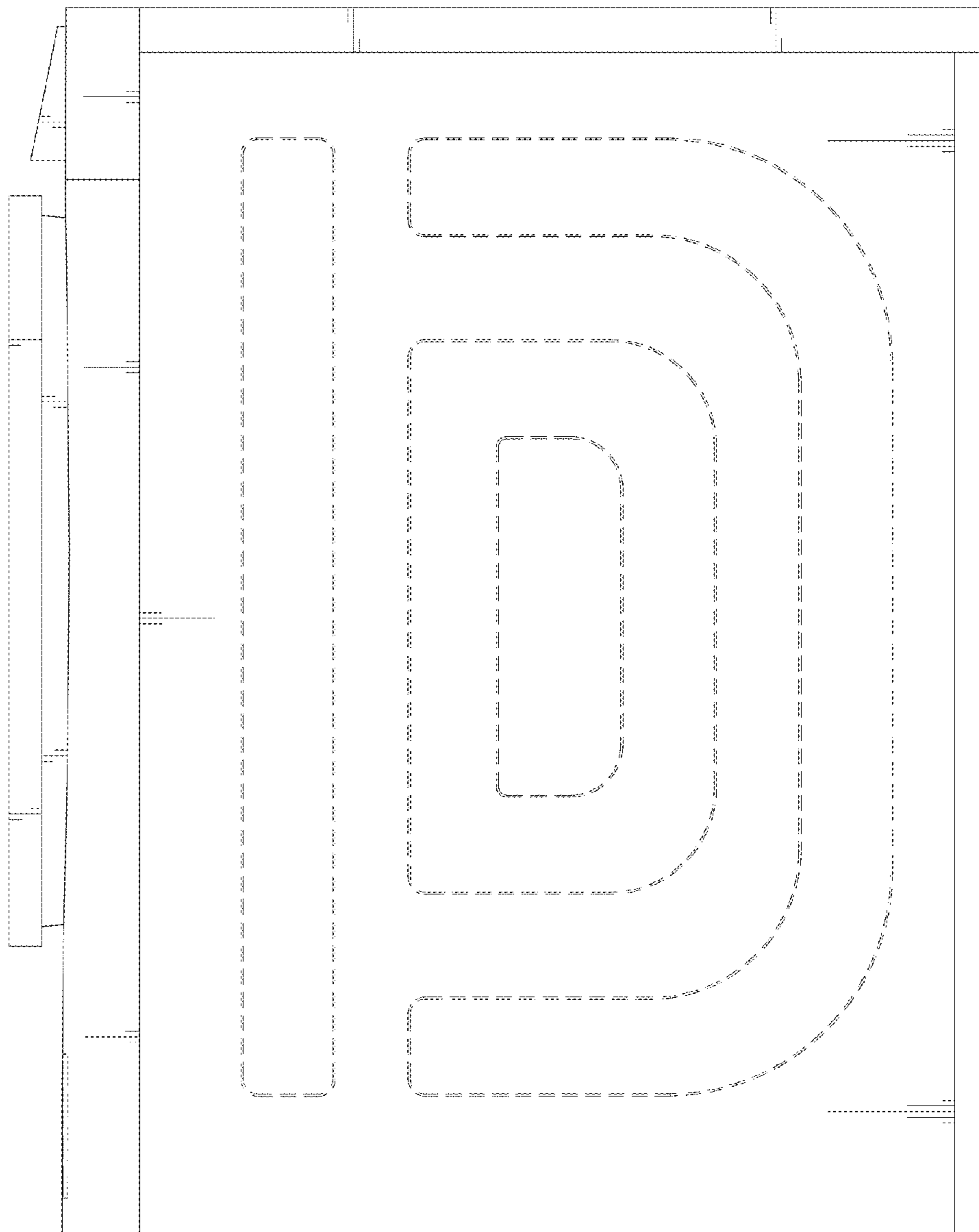


FIG. 6

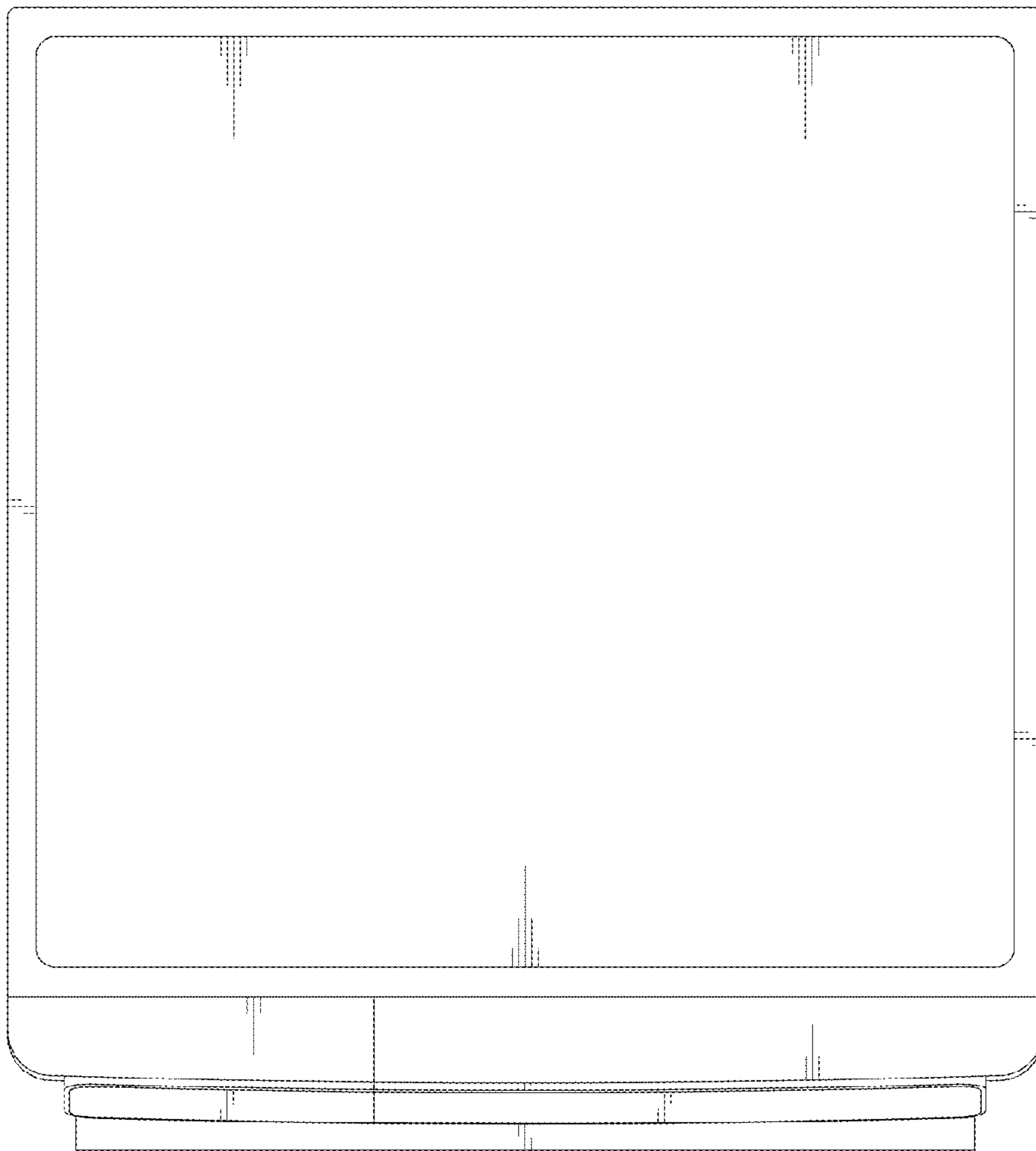


FIG. 7

