



US00D744702S

(12) **United States Design Patent**
Stevermer

(10) **Patent No.:** **US D744,702 S**
(45) **Date of Patent:** **** Dec. 1, 2015**

- (54) **BIRD FEEDER HOOD**
- (71) Applicant: **Visions USA Inc.**, Vernon Center, MN (US)
- (72) Inventor: **Lyle E. Stevermer**, Vernon Center, MN (US)
- (73) Assignee: **Visions USA Inc.**, Vernon Center, MN (US)
- (**) Term: **14 Years**
- (21) Appl. No.: **29/514,248**
- (22) Filed: **Jan. 9, 2015**
- (51) **LOC (10) Cl.** **30-03**
- (52) **U.S. Cl.**
USPC **D30/124; D30/127; D30/128**
- (58) **Field of Classification Search**
USPC D30/121, 124, 126-129, 133, 199, D30/108-119, 123, 125; 119/52.2, 51.5, 119/61.5, 57.8, 57.9, 52.3, 61.1, 531, 63, 119/52.4, 55, 61.3, 69.5, 75, 76, 329-334, 119/339, 416, 417, 427-435, 459-470, 119/51.01; 47/67, 83; 248/318; D11/164, D11/152; 211/128.1; D27/123; D6/495, D6/460, 461, 476, 405
CPC A01K 5/00; A01K 5/0142; A01K 31/00; A01K 31/02; A01K 31/005; A01K 31/06; A01K 31/07; A01K 31/08; A01K 37/00; A01K 39/00-39/06
See application file for complete search history.

1,680,184	A *	8/1928	Viewegh	119/469
1,743,426	A *	1/1930	Chadwick	119/464
1,771,491	A *	7/1930	Hendryx	119/462
1,794,718	A *	3/1931	Little	292/24
1,853,214	A *	4/1932	Little	119/469
1,926,664	A *	9/1933	Babitzky	119/460
1,944,566	A *	1/1934	Meindl	119/462
1,961,359	A *	6/1934	Herbst et al.	245/2
1,977,996	A *	10/1934	Oliver et al.	119/460
2,045,472	A *	6/1936	Kearney et al.	119/469
D109,160	S *	4/1938	Stern	D30/115
2,116,699	A *	5/1938	Hall	119/54
D115,427	S *	6/1939	Schepps	D30/115
2,464,665	A *	3/1949	Anderson	446/227
2,538,853	A *	1/1951	Worl	43/55
2,614,838	A *	10/1952	Taylor	472/71
2,722,596	A *	11/1955	Drouet	219/201
D177,278	S *	3/1956	Reachert	D30/115
2,845,895	A *	8/1958	Balkauskas	119/461
2,891,508	A *	6/1959	Bower	
2,939,422	A *	6/1960	Yellin	119/459
3,272,376	A *	9/1966	Tierney et al.	220/493
3,399,650	A *	9/1968	Goodman	119/51.03
D214,186	S *	5/1969	Meltzer	D26/85
4,030,451	A *	6/1977	Miller	

(Continued)

Primary Examiner — Susan Moon Lee

(74) *Attorney, Agent, or Firm* — Patterson Thunte Pedersen, P.A.

(57) **CLAIM**

I claim the ornamental design for a bird feeder hood, as shown and described.

DESCRIPTION

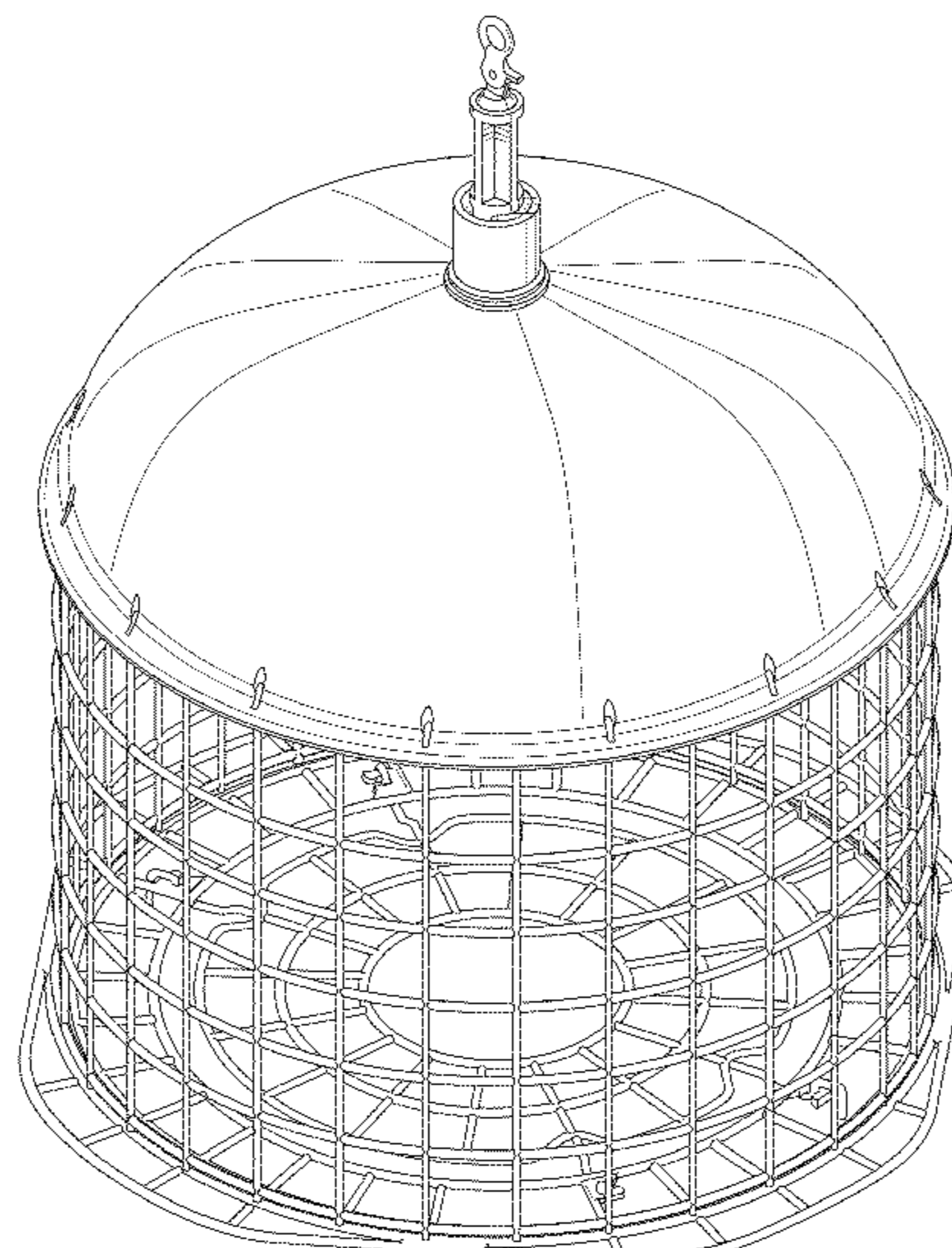
FIG. 1 is a perspective view of a bird feeder hood;
FIG. 2 is a first side view thereof;
FIG. 3 is a second side view thereof;
FIG. 4 is a third side view thereof;
FIG. 5 is a fourth side view thereof;
FIG. 6 is a top plan view thereof; and,
FIG. 7 is a bottom view thereof.

1 Claim, 7 Drawing Sheets

(56) **References Cited**

U.S. PATENT DOCUMENTS

963,995	A *	7/1910	Compton	119/469
1,212,771	A *	1/1917	Holland	119/475
D64,852	S *	6/1924	Hue	D30/115
1,525,561	A *	2/1925	Baird	119/61.3
D72,159	S *	3/1927	Lindemann	D30/115



(56)

References Cited

U.S. PATENT DOCUMENTS

D255,271	S *	6/1980	Voss	D30/116	D486,272	S *	2/2004	Donegan	D30/124
D255,272	S *	6/1980	Voss	D30/116	6,758,164	B2	7/2004	Rich	
4,210,100	A *	7/1980	Voss	119/461	D498,335	S *	11/2004	Donegan	D30/124
D260,306	S *	8/1981	Biro et al.	D30/115	D504,746	S *	5/2005	Lee	D30/124
D260,565	S *	9/1981	Biro et al.	D30/115	6,901,882	B2 *	6/2005	Kuelbs	119/452
D260,566	S *	9/1981	Biro et al.	D30/116	6,986,322	B2	1/2006	Lumpkin et al.	
4,434,745	A *	3/1984	Perkins et al.	119/57.9	D515,247	S *	2/2006	Jung et al.	D30/127
4,462,337	A	7/1984	Kilham		7,198,004	B1 *	4/2007	Lush	119/57.8
4,821,451	A *	4/1989	Matson	43/102	D544,636	S *	6/2007	McMinn	D26/118
4,947,794	A *	8/1990	Baldwin	119/470	D544,637	S *	6/2007	McMinn	D26/118
5,016,573	A *	5/1991	Power	119/57.9	D544,638	S *	6/2007	McMinn	D26/118
5,111,772	A *	5/1992	Lipton	119/57.9	7,237,507	B1 *	7/2007	Colwell	119/51.01
5,203,281	A *	4/1993	Harwich	119/57.9	7,258,075	B1 *	8/2007	Jones et al.	119/57.9
5,289,796	A *	3/1994	Armstrong	119/52.3	D577,851	S *	9/2008	Yurich	D26/119
D351,262	S *	10/1994	Fasino	D30/127	D612,531	S *	3/2010	Smith	D26/137
D351,691	S *	10/1994	Lipton	D30/127	D648,903	S *	11/2011	Lush	D30/127
5,377,617	A *	1/1995	Harwich	119/6.5	D649,299	S *	11/2011	Lush	D30/127
5,377,619	A *	1/1995	Katz	119/461	D649,300	S *	11/2011	Lush	D30/127
5,435,265	A *	7/1995	Yasuhiro	119/459	D663,489	S *	7/2012	Van Dyk	D30/127
5,479,878	A *	1/1996	Coulter	119/51.03	D676,615	S *	2/2013	Van Dyk	D30/127
5,511,512	A *	4/1996	Pintavalli et al.	119/468	8,413,605	B2	4/2013	Baynard et al.	
D386,836	S *	11/1997	Hunt	D30/124	D681,884	S *	5/2013	Kingdon	D30/127
5,713,305	A *	2/1998	Hollaway et al.	119/464	D699,401	S *	2/2014	Gage	D30/127
D394,734	S *	5/1998	D'Odorico	D30/115	8,794,184	B2 *	8/2014	Cote	119/52.3
5,758,596	A *	6/1998	Loiselle	119/52.2	8,904,959	B2 *	12/2014	Lush	119/51.01
6,047,661	A *	4/2000	Lush	119/51.01	2001/0032592	A1 *	10/2001	Bescherer	119/51.01
6,067,934	A *	5/2000	Harwich	119/57.8	2002/0092475	A1 *	7/2002	Paynton et al.	119/51.01
6,070,554	A *	6/2000	Wilson	119/51.04	2003/0010294	A1 *	1/2003	Stokes et al.	119/52.3
6,073,582	A *	6/2000	Lush	119/51.01	2003/0033985	A1 *	2/2003	Hardison	119/57.9
D439,359	S *	3/2001	Feng	D26/85	2003/0150391	A1 *	8/2003	Rich	119/57.8
D440,361	S *	4/2001	Colwell	D30/124	2004/0118352	A1 *	6/2004	Adams et al.	119/57.9
6,253,706	B1 *	7/2001	Sloop	119/57.9	2004/0123808	A1 *	7/2004	Dunn	119/57.9
D448,126	S *	9/2001	Colwell	D30/124	2005/0284399	A1 *	12/2005	Asma	119/452
D452,049	S *	12/2001	Stokes et al.	D30/124	2006/0118056	A1 *	6/2006	Kuelbs	119/57.8
6,425,682	B1 *	7/2002	Klaus	362/376	2006/0162665	A1 *	7/2006	George	119/52.3
D465,604	S *	11/2002	De'Armond	D26/129	2006/0260553	A1 *	11/2006	Cote	119/57.8
D466,255	S *	11/2002	Kuelbs	D30/124	2008/0121186	A1 *	5/2008	Mindell	119/52.3
D466,654	S *	12/2002	Ridyard	D30/124	2008/0134979	A1 *	6/2008	Crocker	119/51.5
6,499,429	B1 *	12/2002	Hein	119/51.03	2008/0295777	A1 *	12/2008	Cote	119/52.3
6,505,438	B1 *	1/2003	Hsia	47/24.1	2009/0071408	A1 *	3/2009	Wechsler	119/51.01
D470,265	S *	2/2003	Kuelbs et al.	D26/118	2010/0258055	A1 *	10/2010	Cote	119/52.3
D470,630	S *	2/2003	Kuelbs	D30/128	2010/0288200	A1 *	11/2010	Lush	119/52.3
6,561,128	B1	5/2003	Carter		2010/0288201	A1 *	11/2010	Lush	119/52.4
D477,116	S *	7/2003	Stokes et al.	D30/125	2011/0126771	A1 *	6/2011	Cote	119/52.3
6,591,781	B2	7/2003	Hardison		2011/0174233	A1 *	7/2011	Lush	119/498
					2011/0290187	A1	12/2011	Mindell	
					2012/0085292	A1 *	4/2012	Lush	119/431

* cited by examiner

Fig. 1

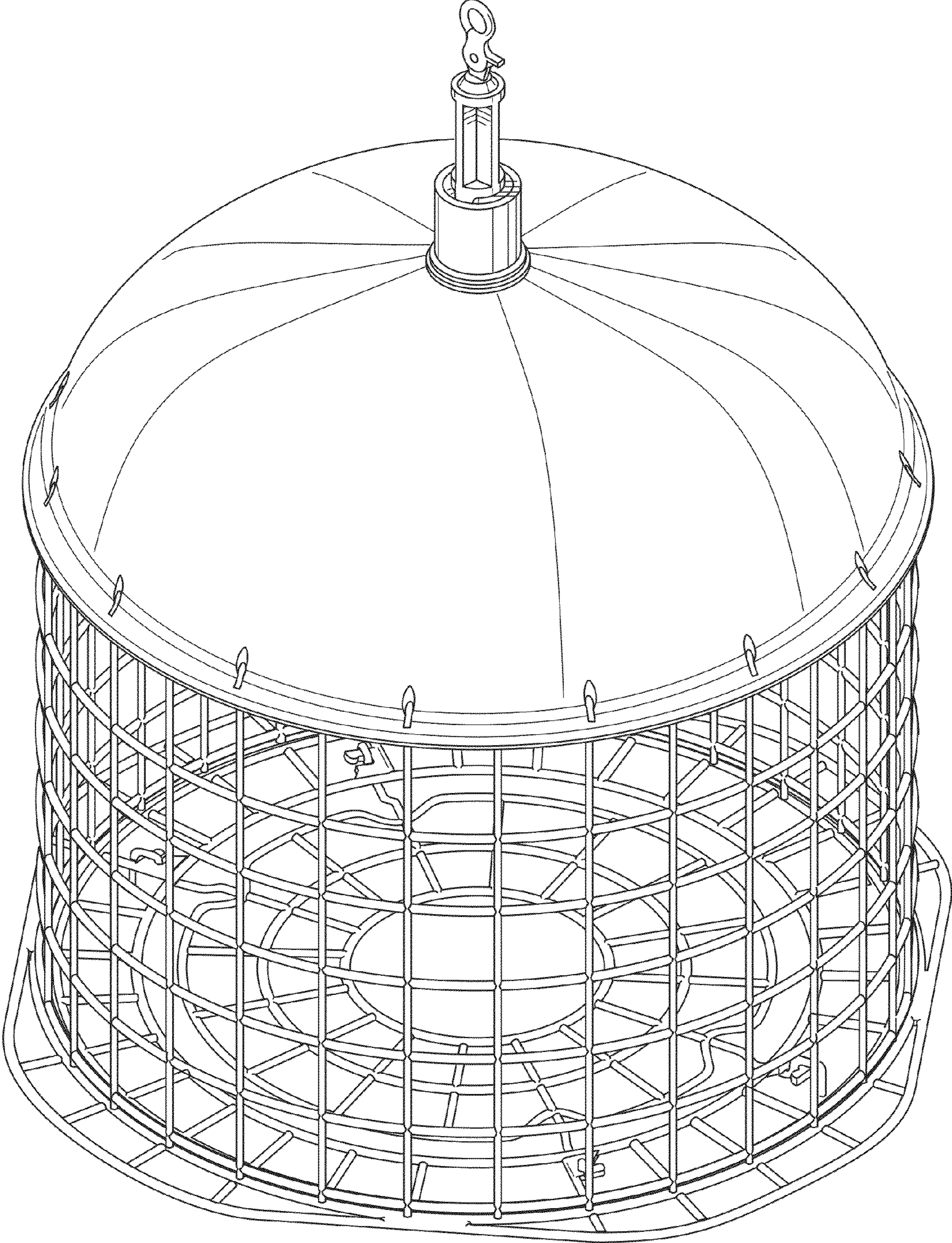


Fig. 2

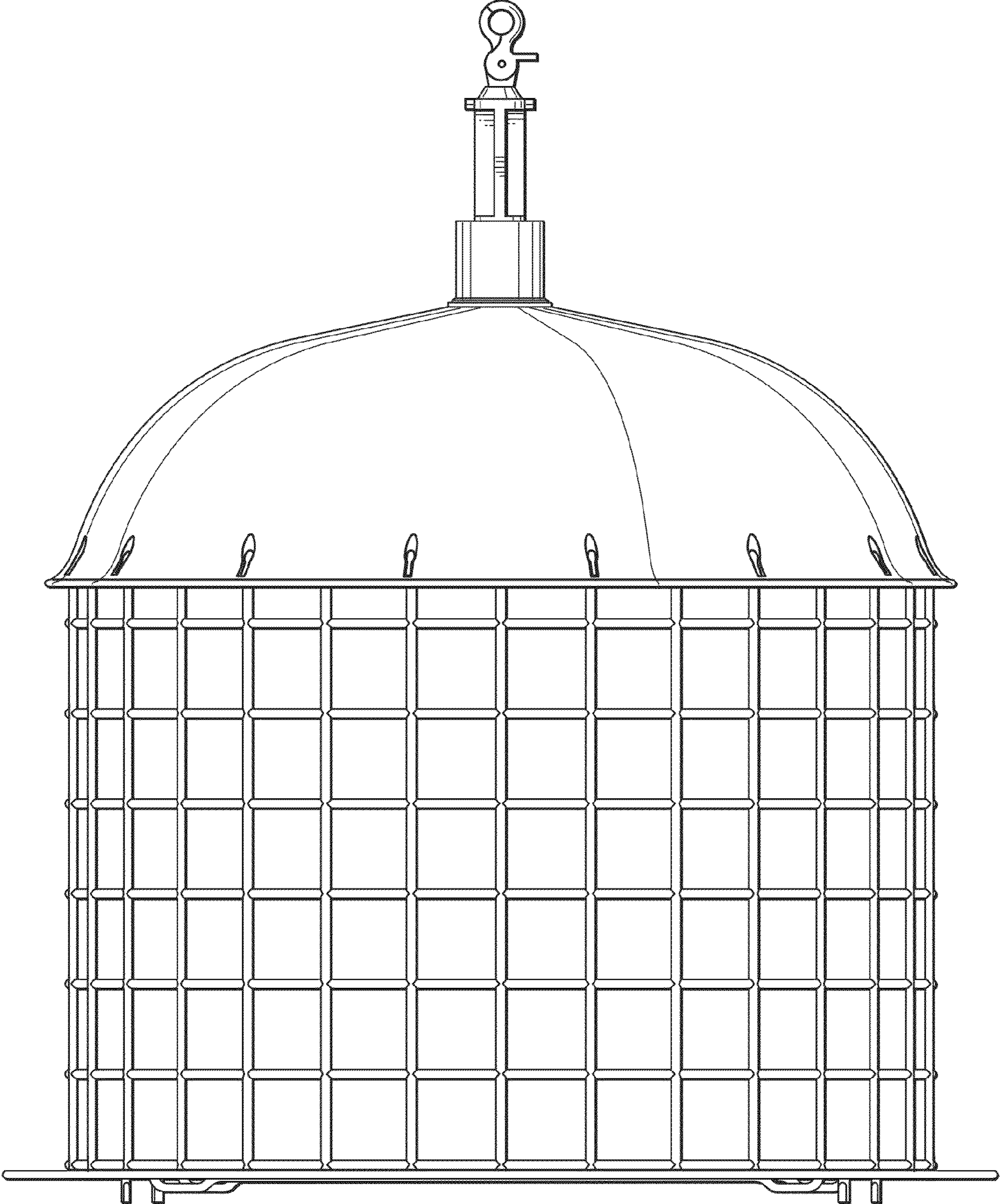


Fig. 3

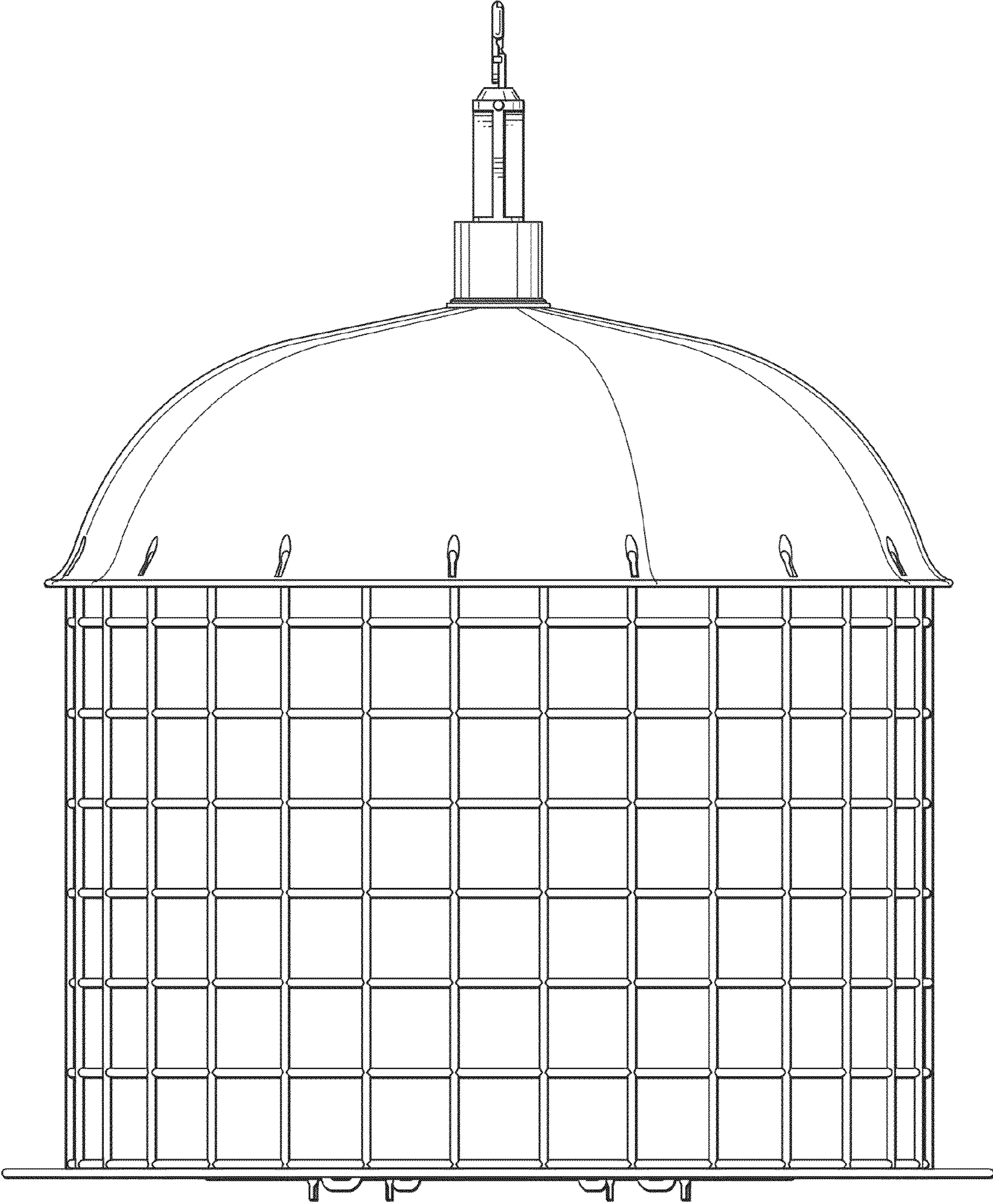


Fig. 4

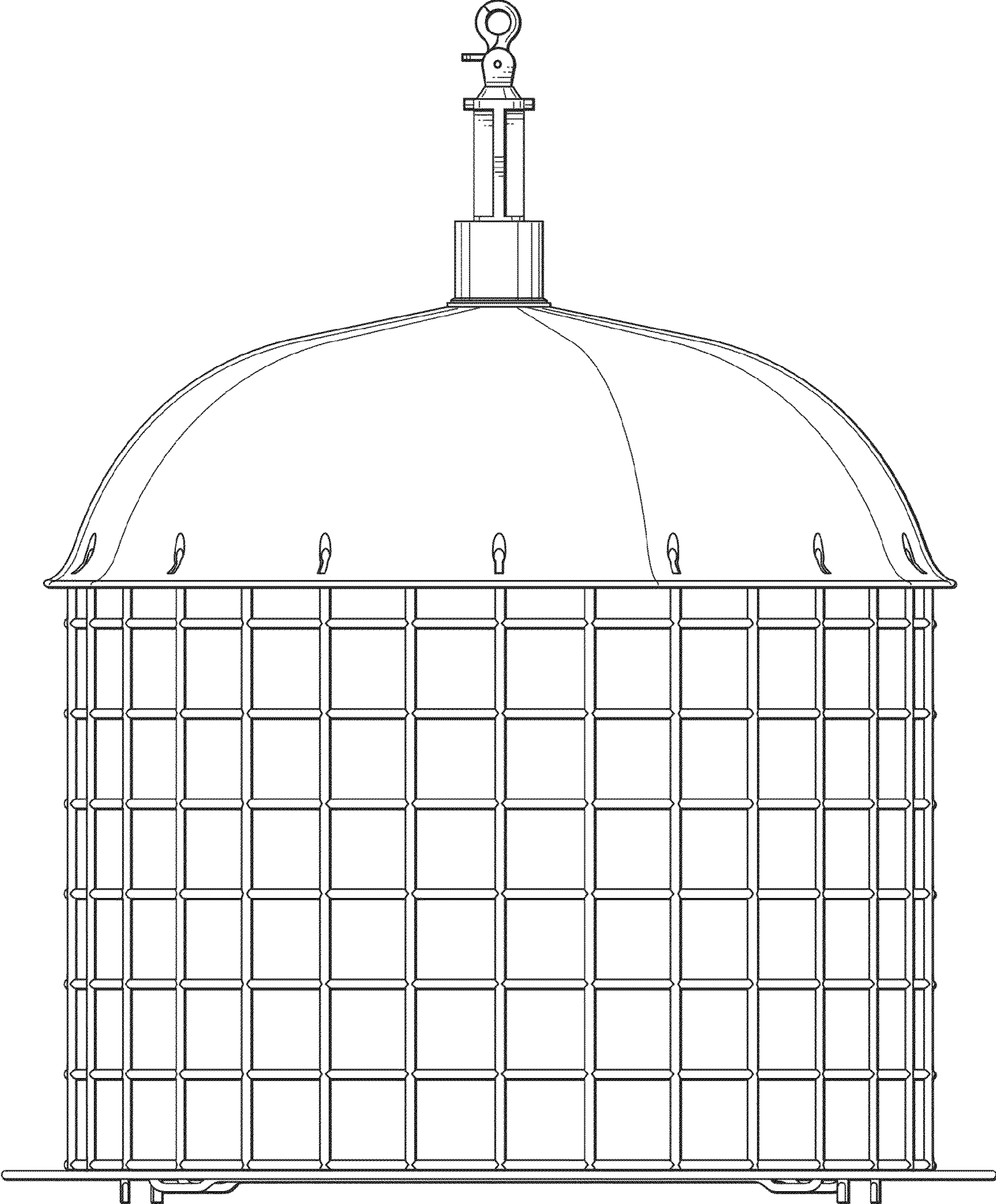


Fig. 5

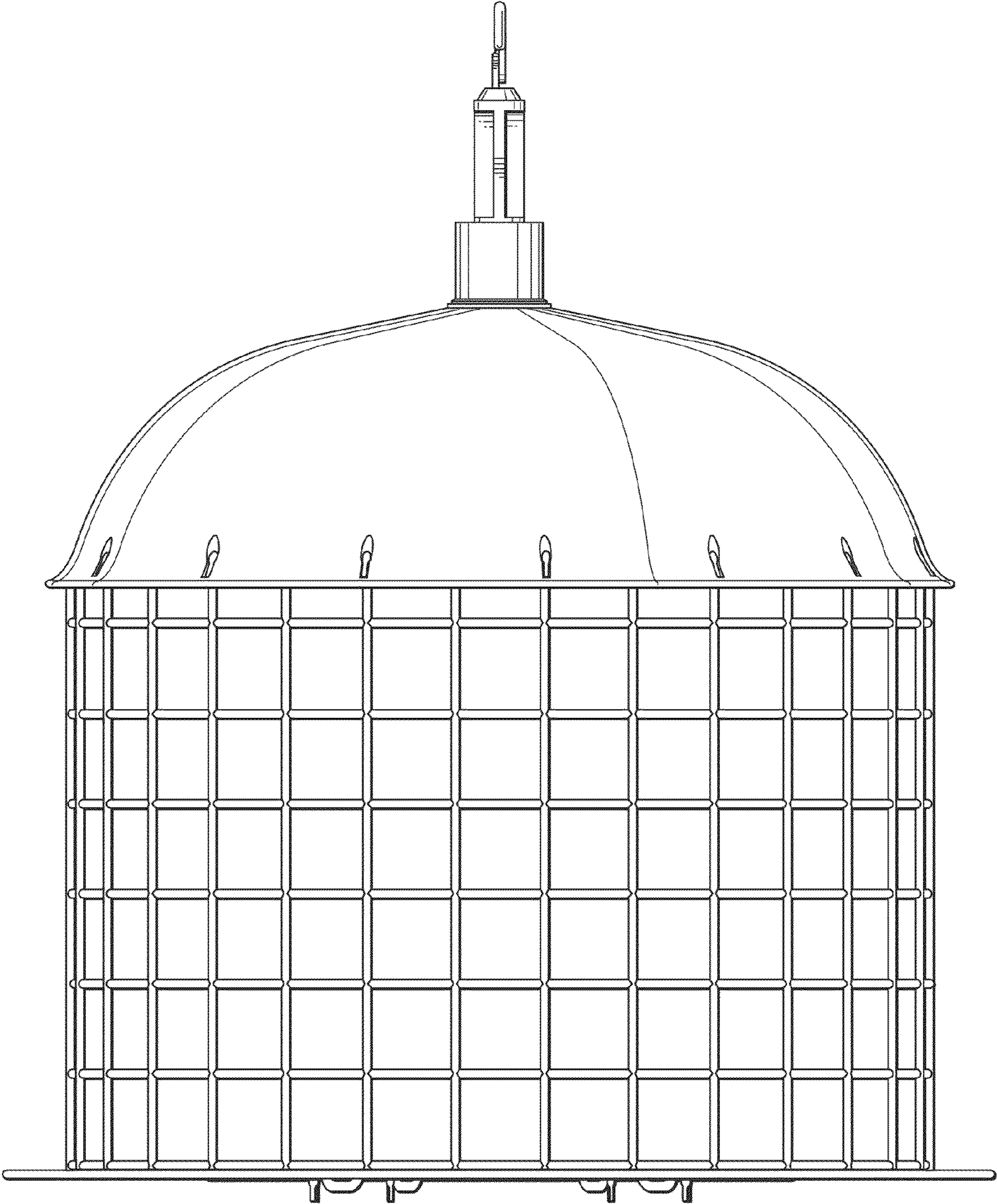


Fig. 6

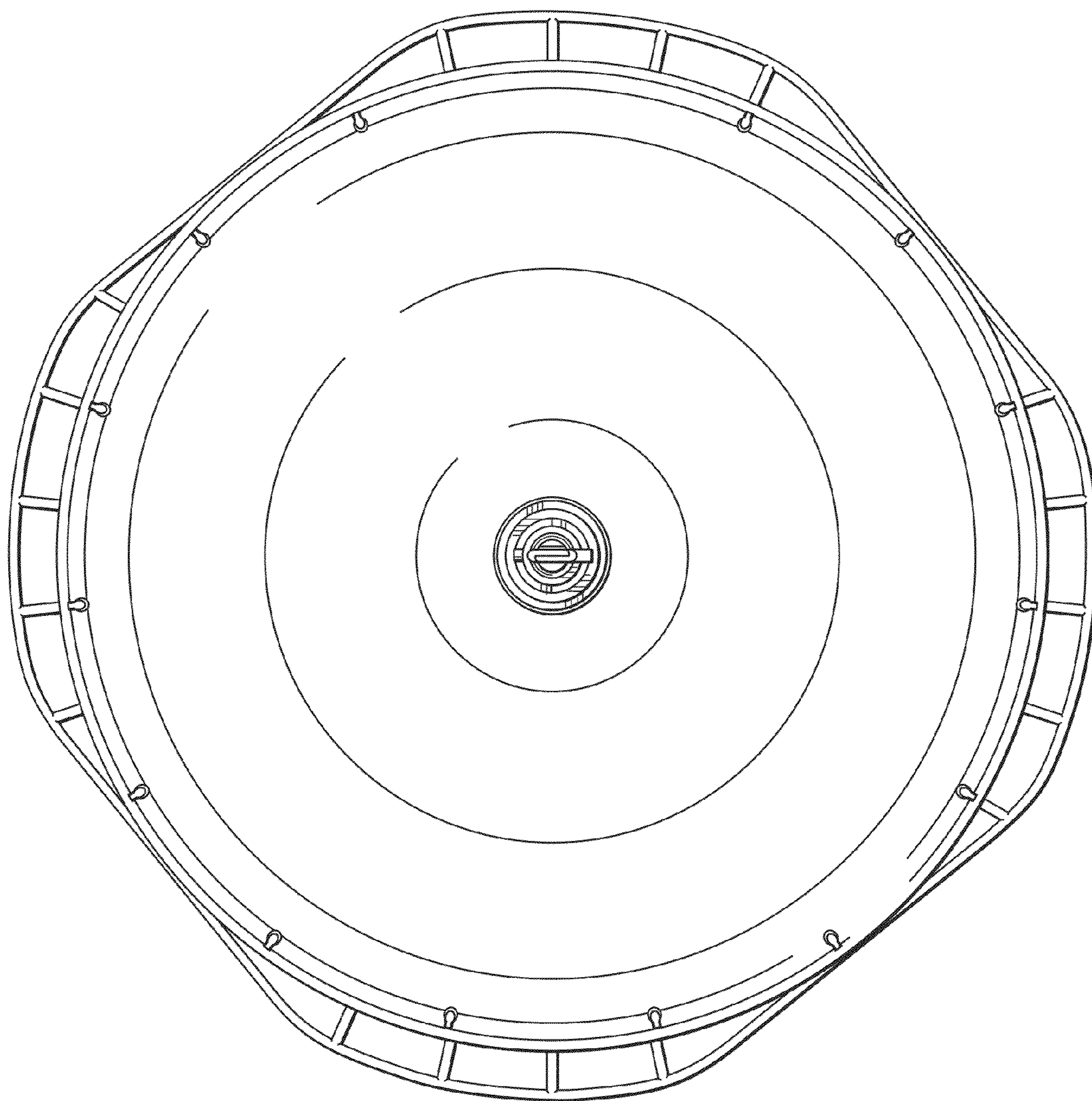


Fig. 7

