



US00D744701S

(12) **United States Design Patent**
Romeu Guardia

(10) **Patent No.:** **US D744,701 S**

(45) **Date of Patent:** **** Dec. 1, 2015**

(54) **NEST COVER**

(71) Applicant: **Rotecna, S.A.**, Agramunt (ES)

(72) Inventor: **Gener Romeu Guardia**, Agramunt (ES)

(73) Assignee: **Rotecna, S.A.**, Agramunt (ES)

(**) Term: **14 Years**

(21) Appl. No.: **29/467,942**

(22) Filed: **Sep. 25, 2013**

(30) **Foreign Application Priority Data**

Mar. 27, 2013 (EM) 002209866-0001

(51) **LOC (10) Cl.** **30-02**

(52) **U.S. Cl.**
USPC **D30/119**

(58) **Field of Classification Search**
USPC D30/108-117, 119; 119/174, 484, 487,
119/494, 501, 302, 307, 445-446, 452, 470,
119/472, 503, 508

See application file for complete search history.

(56) **References Cited**

U.S. PATENT DOCUMENTS

4,495,892 A * 1/1985 Jodar et al. 119/482

D317,369 S * 6/1991 Tominaga D30/107
D343,481 S * 1/1994 Hampel D30/108
6,044,799 A * 4/2000 Tominaga 119/472
D458,418 S * 6/2002 Krause et al. D30/119

* cited by examiner

Primary Examiner — Cathy Anne MacCormac

(74) *Attorney, Agent, or Firm* — Edell, Shapiro & Finnan
LLC

(57) **CLAIM**

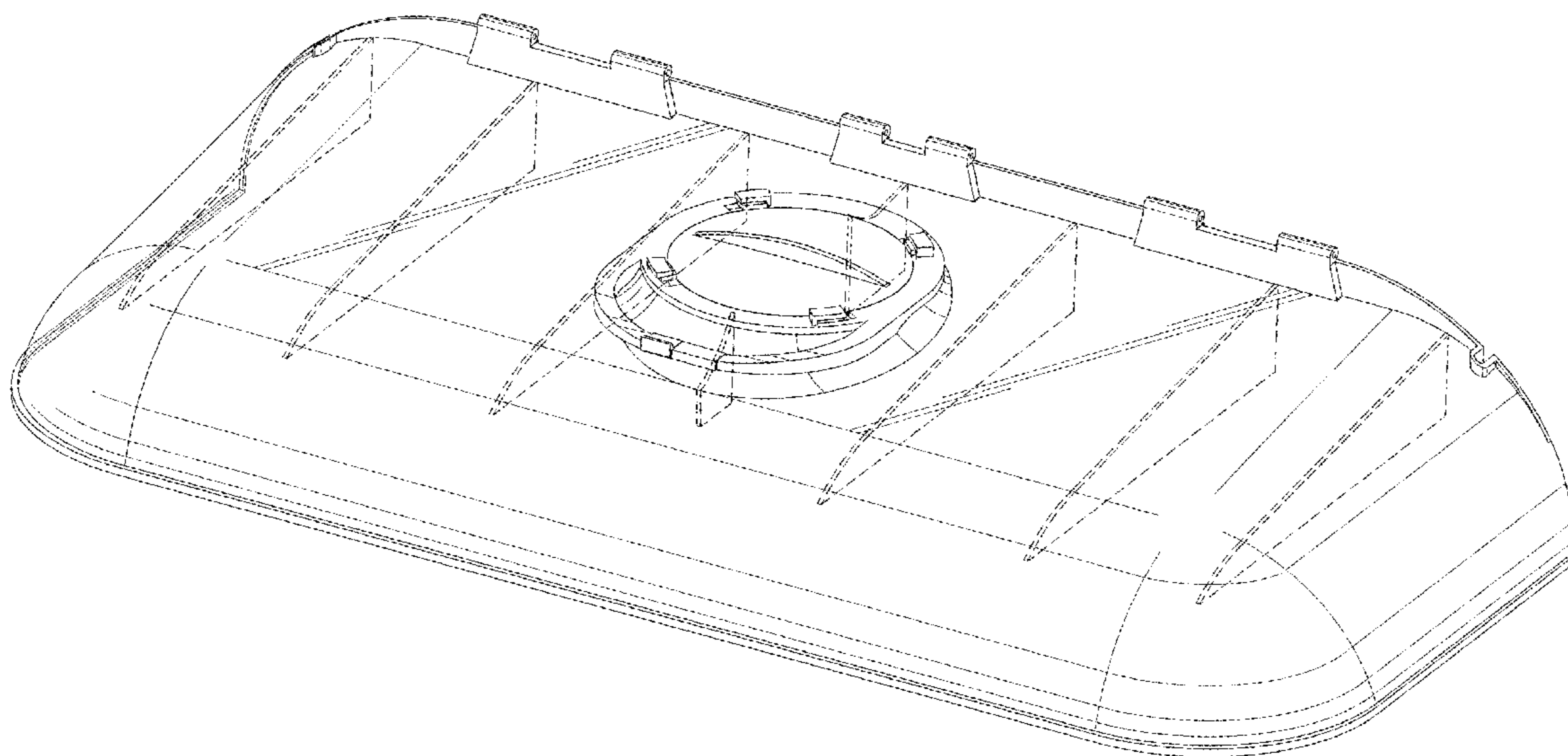
The ornamental design for a nest cover, as shown and described.

DESCRIPTION

FIG. 1 is a front, right perspective view from above showing the design of the nest cover;
FIG. 2 is a top plan view thereof;
FIG. 3 is a bottom plan view thereof;
FIG. 4 is a right side elevation view thereof;
FIG. 5 is a left side elevation view thereof;
FIG. 6 is a front elevation view thereof; and,
FIG. 7 is a rear elevation view thereof.

The nest cover comprises a translucent material. The broken lines depict environmental subject matter and form no part of the claimed design.

1 Claim, 6 Drawing Sheets



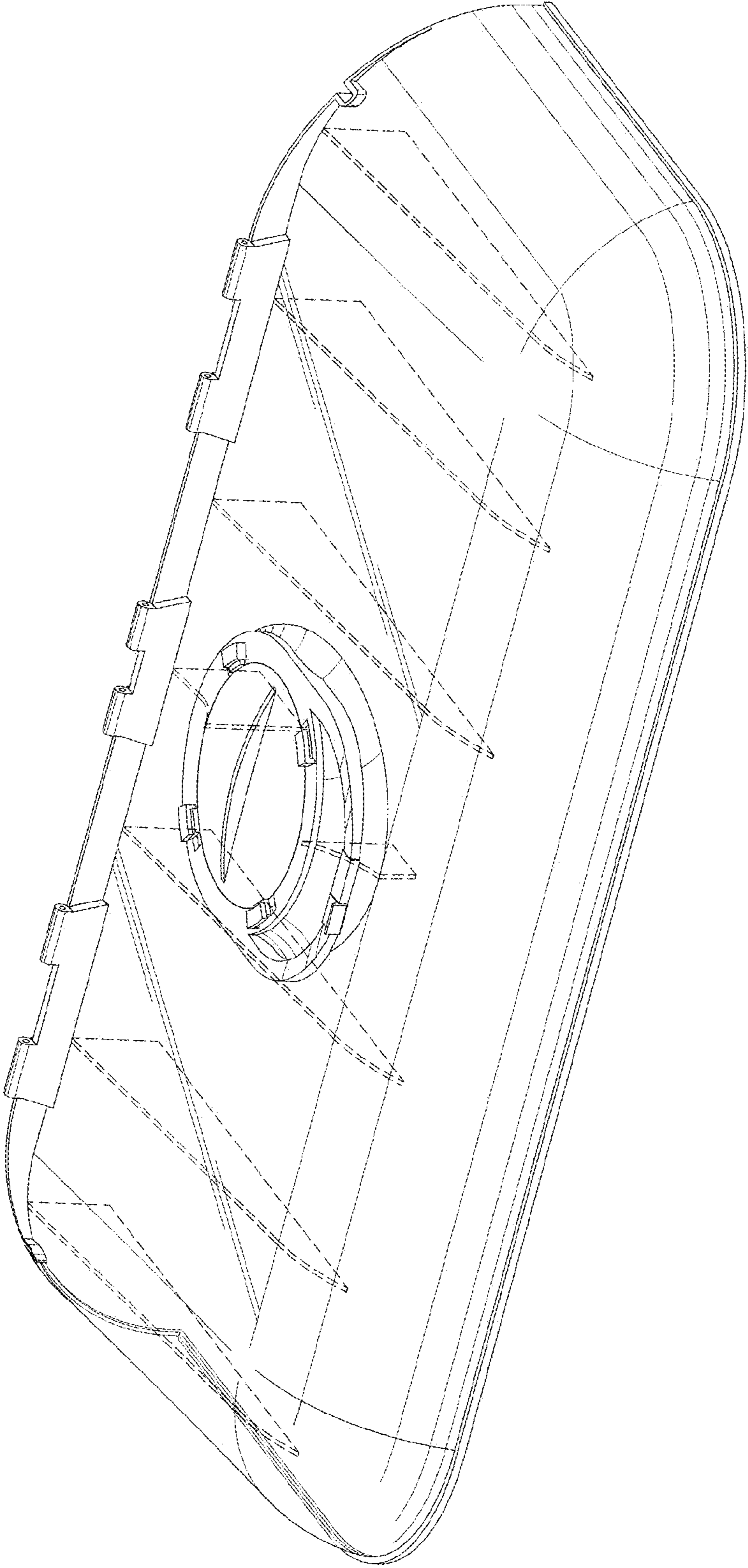


FIG.1

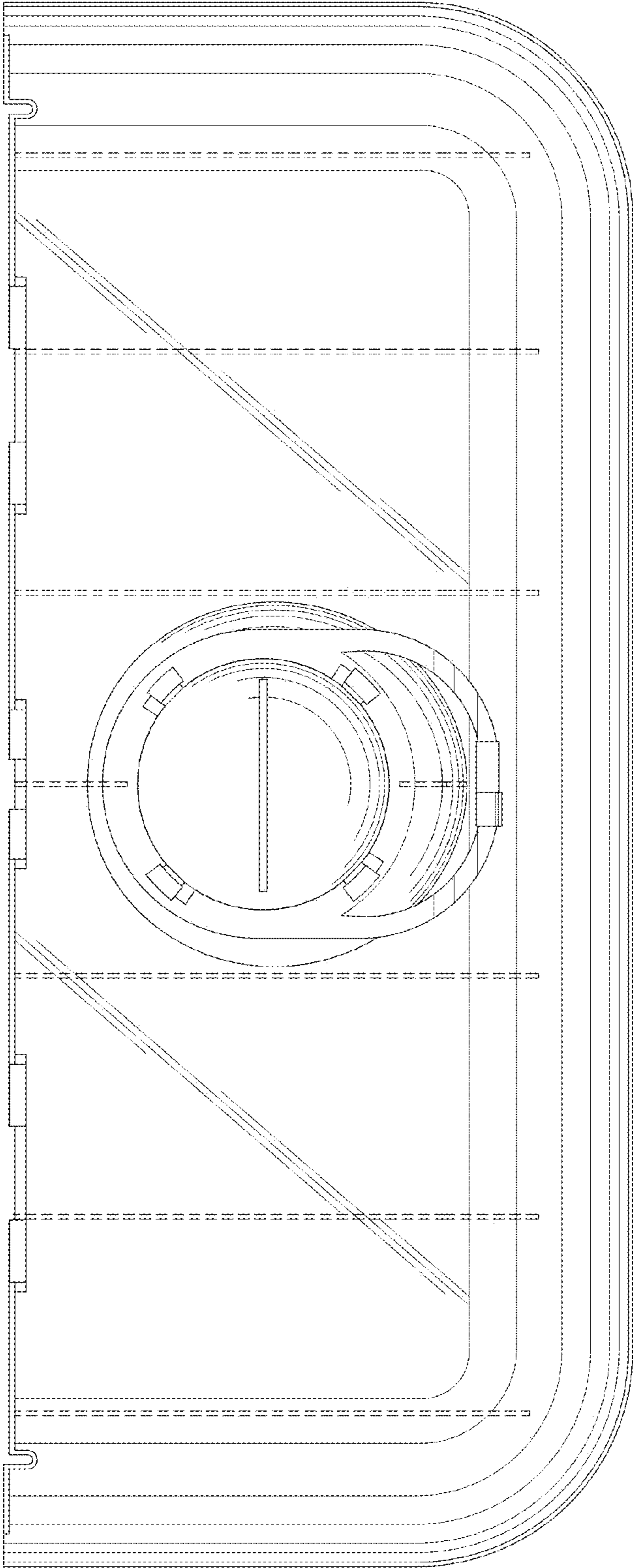


FIG.2

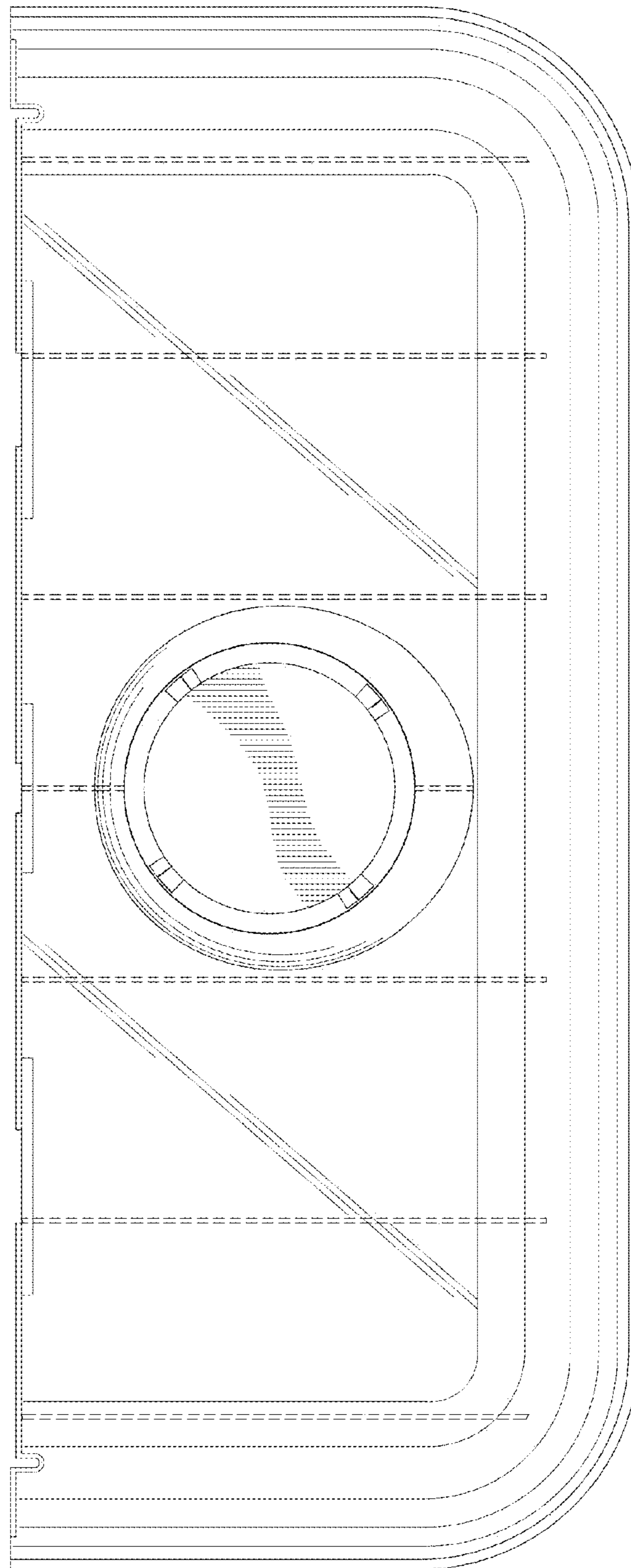


FIG.3

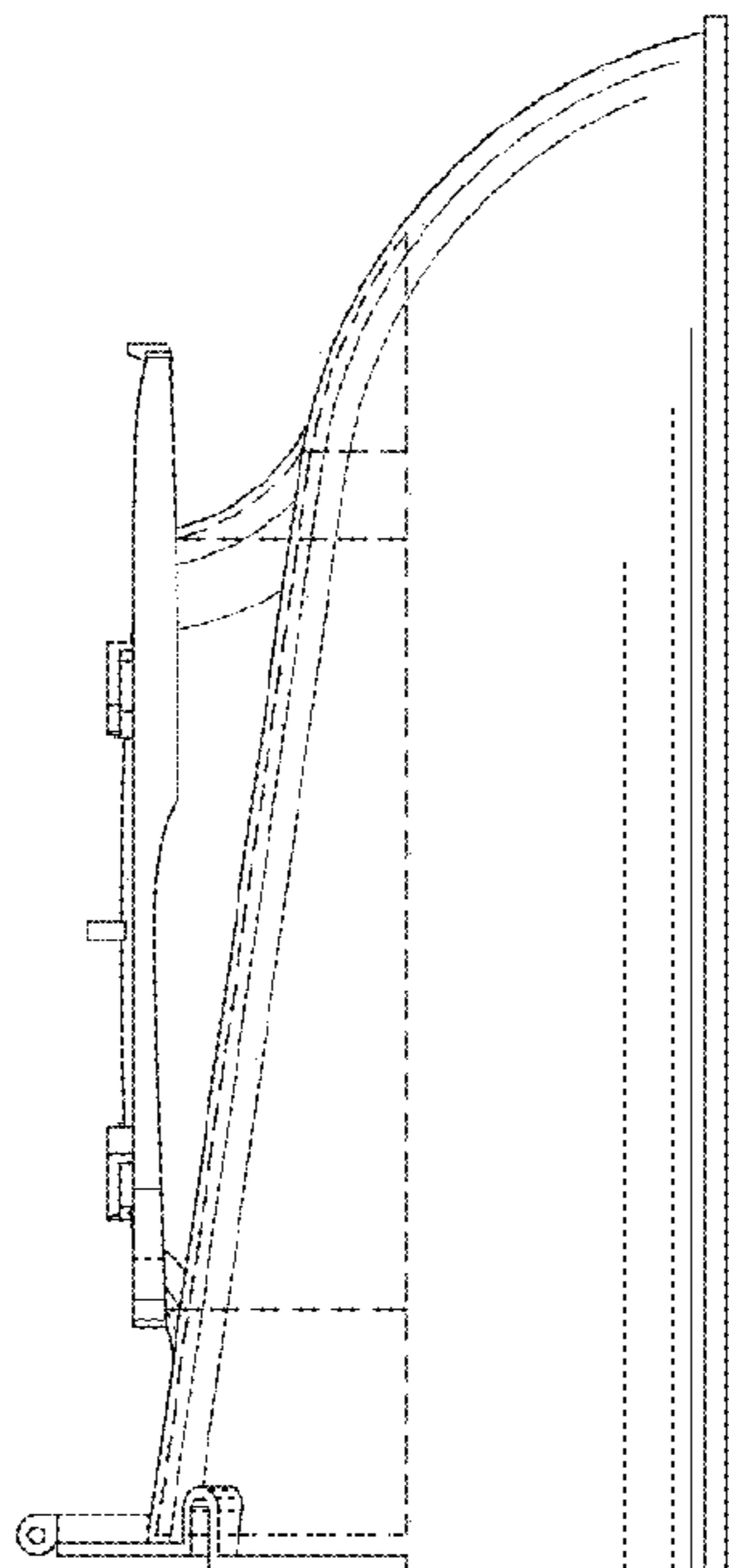


FIG.5

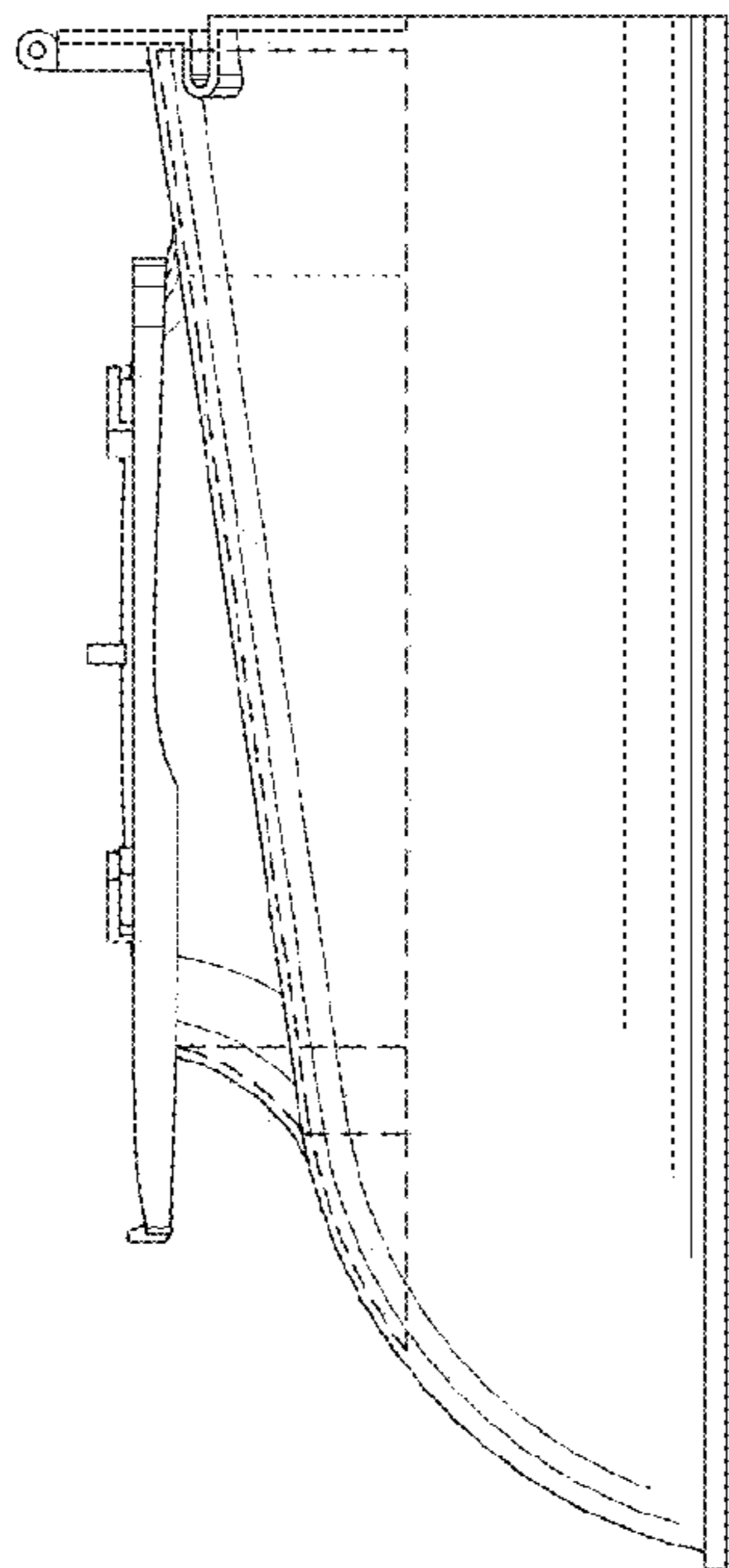


FIG.4

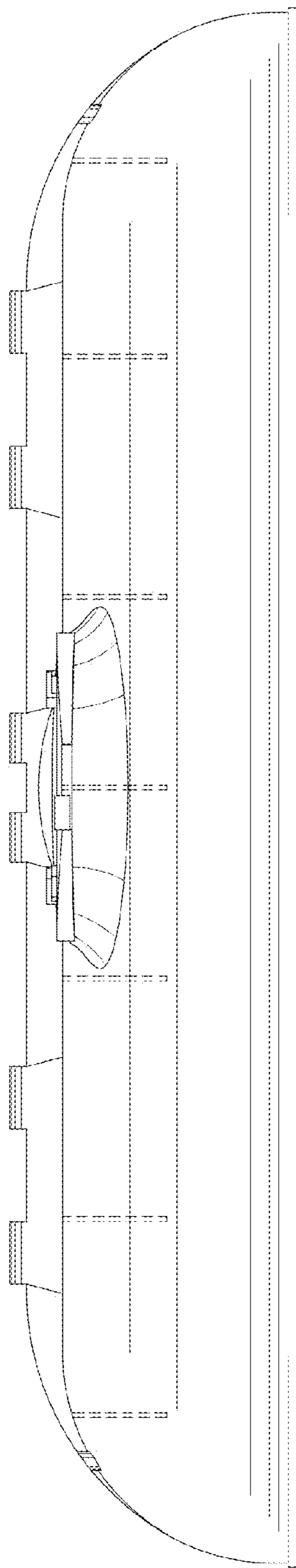


FIG.6

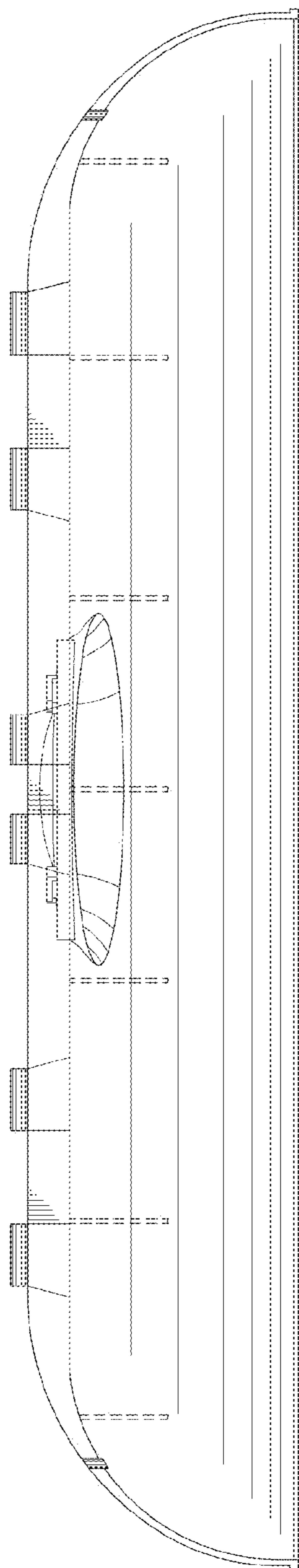


FIG.7