



US00D744698S

(12) **United States Design Patent**
Kalyanpur et al.

(10) **Patent No.:** **US D744,698 S**

(45) **Date of Patent:** **** Dec. 1, 2015**

(54) **CONTAINER**

(71) Applicant: **La Prairie, Inc.**, New York, NY (US)

(72) Inventors: **Anil Kalyanpur**, Edison, NJ (US);
Richard Suhr, Seaside Heights, NJ (US)

(73) Assignee: **La Prairie, Inc.**, New York, NY (US)

(**) Term: **14 Years**

(21) Appl. No.: **29/453,798**

(22) Filed: **May 2, 2013**

(51) **LOC (10) Cl.** **28-03**

(52) **U.S. Cl.**
USPC **D28/82**

(58) **Field of Classification Search**

USPC D28/64.1-64.7, 76-84; 206/581, 823;
132/286-318; D9/503-505, 421, 428,
D9/447; D3/901; 220/4.27
CPC A45D 33/006; A45D 33/003; A45D
33/04-33/16; A45D 33/025; A45D 33/02;
A45D 33/20; A45D 3/22; A45D 33/24;
A45D 33/26; A45D 33/28; A45D 33/18;
A45D 40/22; A45D 40/222; A45D 40/24;
A45D 42/02

See application file for complete search history.

(56) **References Cited**

U.S. PATENT DOCUMENTS

1,381,036 A	6/1921	Vericel	
1,455,432 A	5/1923	Dodson	
1,460,906 A	7/1923	Hyde	
1,497,905 A	6/1924	Hathaway	
1,518,594 A	12/1924	Marble	
1,525,665 A	2/1925	Slover et al.	
1,551,006 A *	8/1925	Bruns	132/293
1,570,382 A	1/1926	Lyhne	
1,583,120 A	5/1926	Brenner	
1,636,183 A	7/1927	Goertz	

1,647,004 A	10/1927	Hyde	
2,196,017 A	4/1940	Kane	
2,438,841 A	3/1948	Casalino	
2,571,485 A	10/1951	Reiskin	
2,712,318 A	7/1955	Root	
3,256,892 A	6/1966	Esposito, Jr.	
4,696,317 A	9/1987	Shioi et al.	
5,025,817 A	6/1991	Wen	
5,107,871 A	4/1992	Butcher et al.	
5,836,319 A *	11/1998	Lombardi	132/287
6,283,129 B1	9/2001	Yuhara et al.	
6,526,989 B2	3/2003	Sheffler et al.	
D473,345 S *	4/2003	Thorpe	D28/82
D479,366 S	9/2003	Goswell	
D496,759 S *	9/2004	Rodriguez	D28/82
D523,177 S	6/2006	Ashiwa et al.	
D523,750 S *	6/2006	Lee et al.	D9/549
D583,100 S *	12/2008	Jackel	D28/82
D592,956 S *	5/2009	Thiellier	D28/82
D595,899 S *	7/2009	Krause-Neufeldt	D28/82
D626,289 S *	10/2010	Lee	D28/82
D631,608 S	1/2011	Pires et al.	

(Continued)

Primary Examiner — Jennifer Rivard

(74) *Attorney, Agent, or Firm* — Dentons US LLP

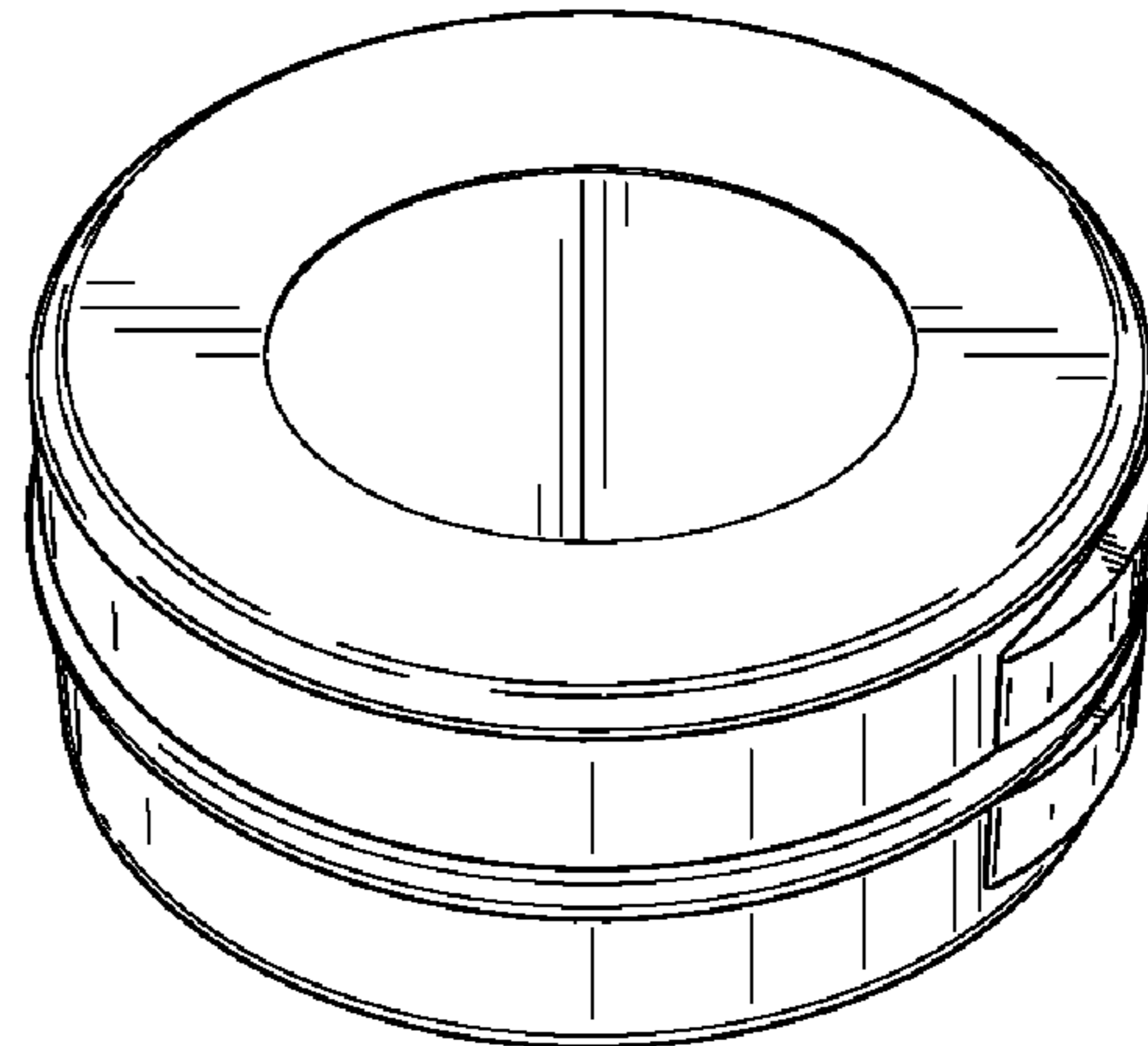
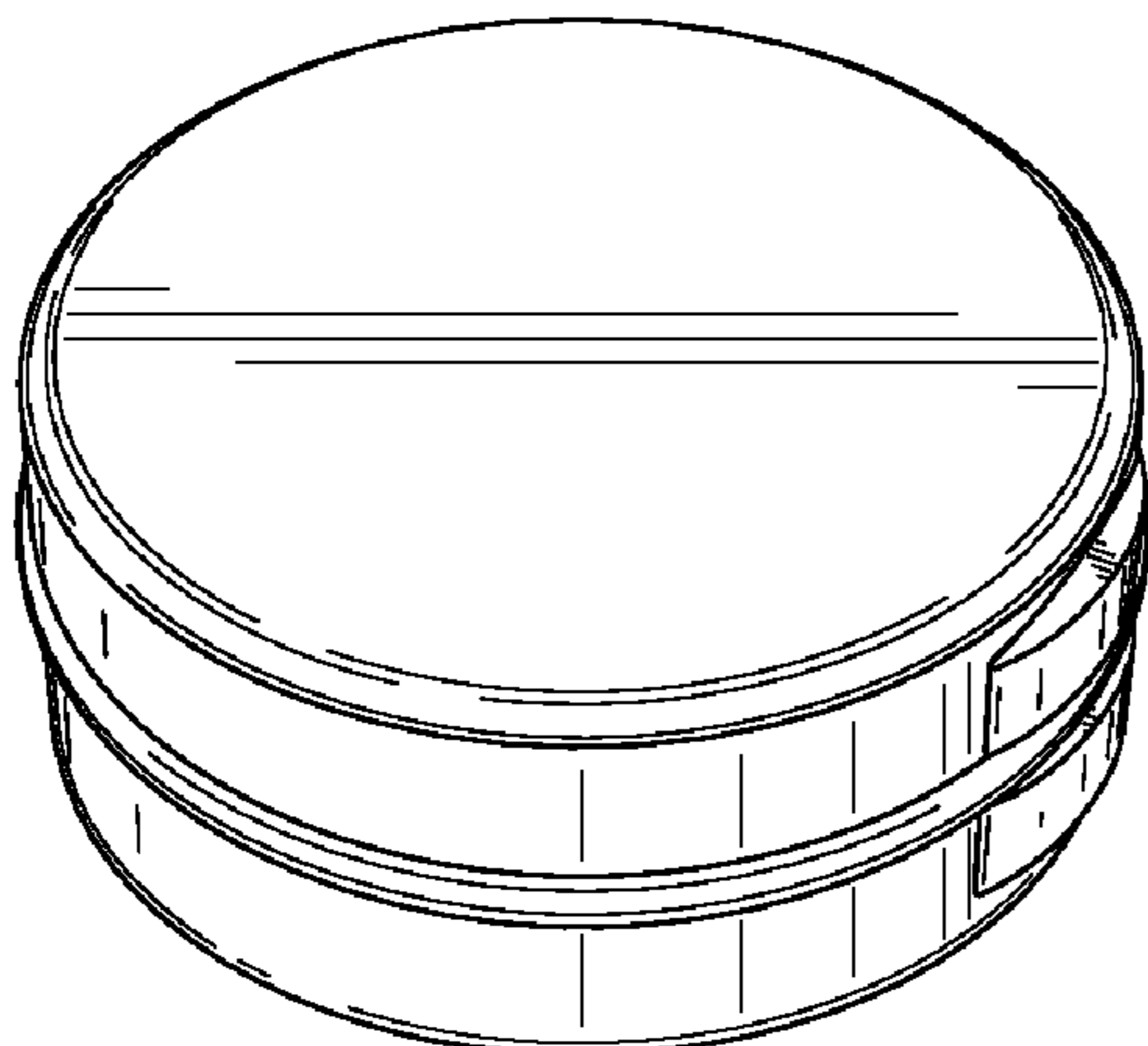
(57) **CLAIM**

The ornamental design for the container, as shown and described.

DESCRIPTION

FIG. 1 is a top perspective view of the container;
FIG. 2 is a bottom perspective view of the container;
FIG. 3 is a planar view of the top of the container;
FIG. 4 is a planar view of the bottom of the container;
FIG. 5 is a front view of the container;
FIG. 6 is a right side view of the container;
FIG. 7 is a rear view of the container; and,
FIG. 8 is a left side view of the container.
The broken lines illustrate a portion of the container and form no part of the claimed design.

1 Claim, 3 Drawing Sheets



(56)

References Cited

U.S. PATENT DOCUMENTS

D635,303 S *	3/2011	Chung	D28/83	2006/0005853 A1	1/2006	Shen	
D642,333 S *	7/2011	Praster	D28/82	2006/0226164 A1	10/2006	Graham	
8,109,280 B2	2/2012	Winckels et al.		2009/0308408 A1	12/2009	Winckels et al.	
2004/0221866 A1 *	11/2004	Greenfield	132/287	2011/0048443 A1	3/2011	Pires et al.	
				2011/0197913 A1 *	8/2011	Chen	132/316
				2012/0241468 A1	9/2012	Deans	

* cited by examiner

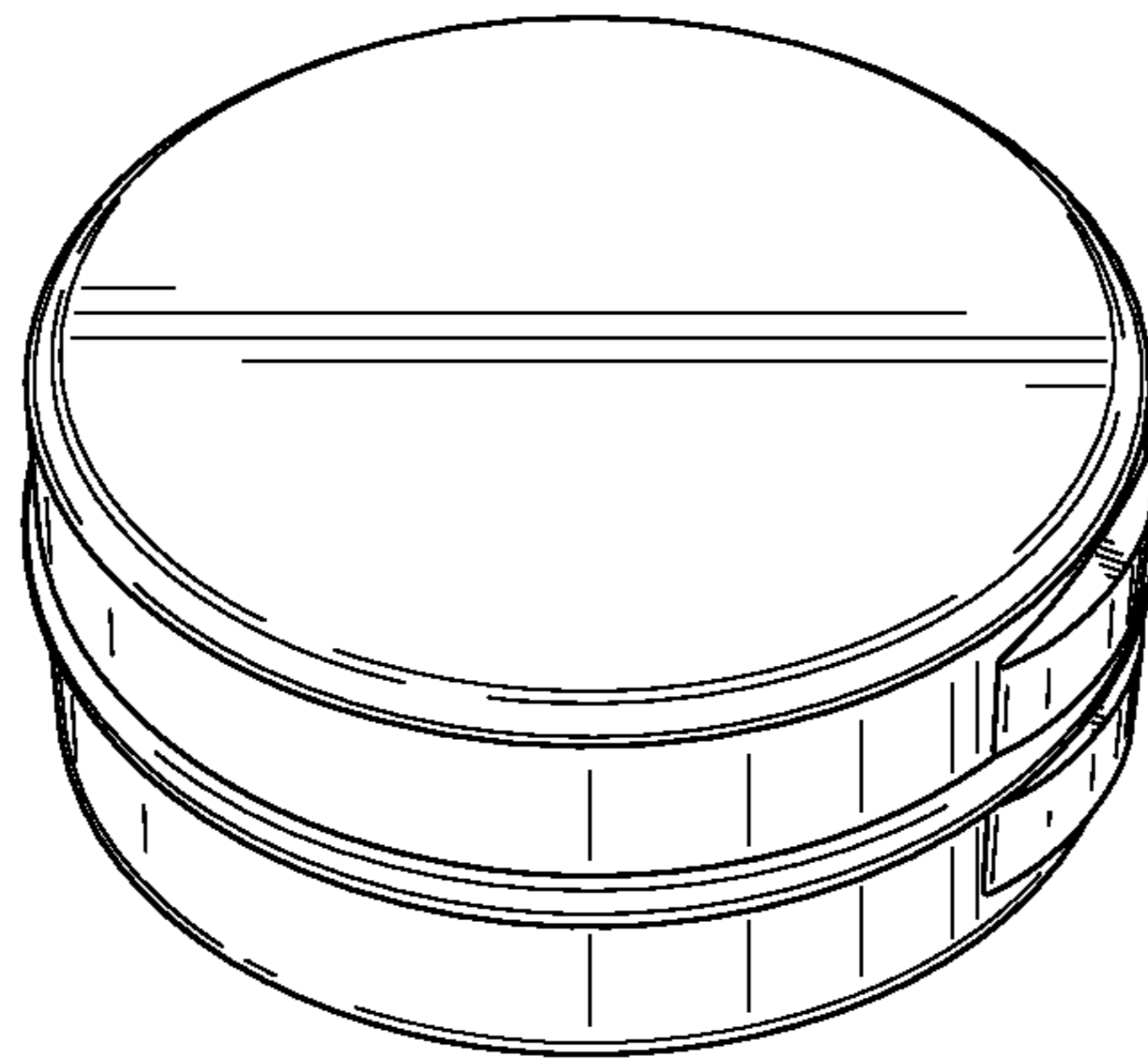


FIG. 1

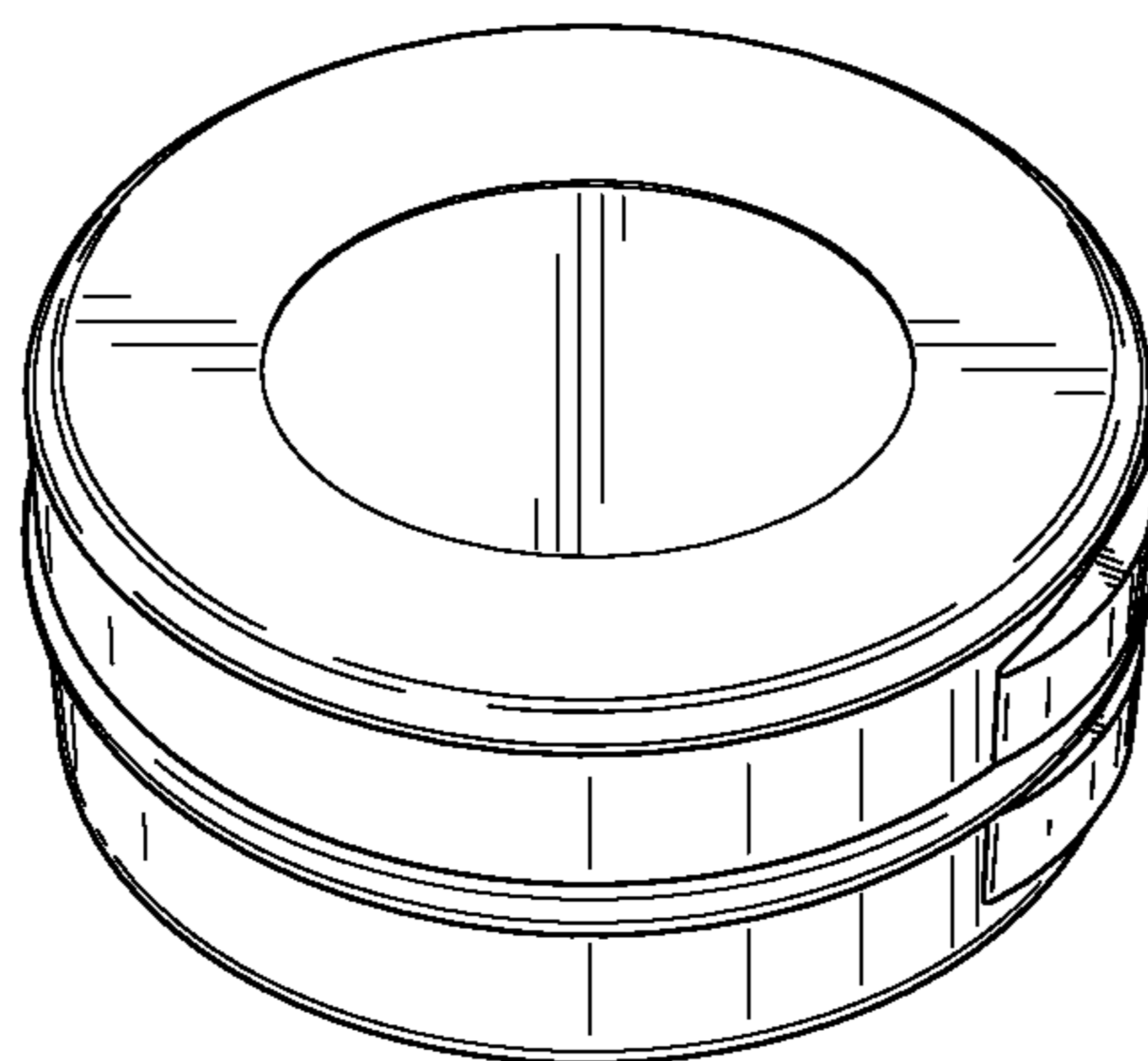


FIG. 2

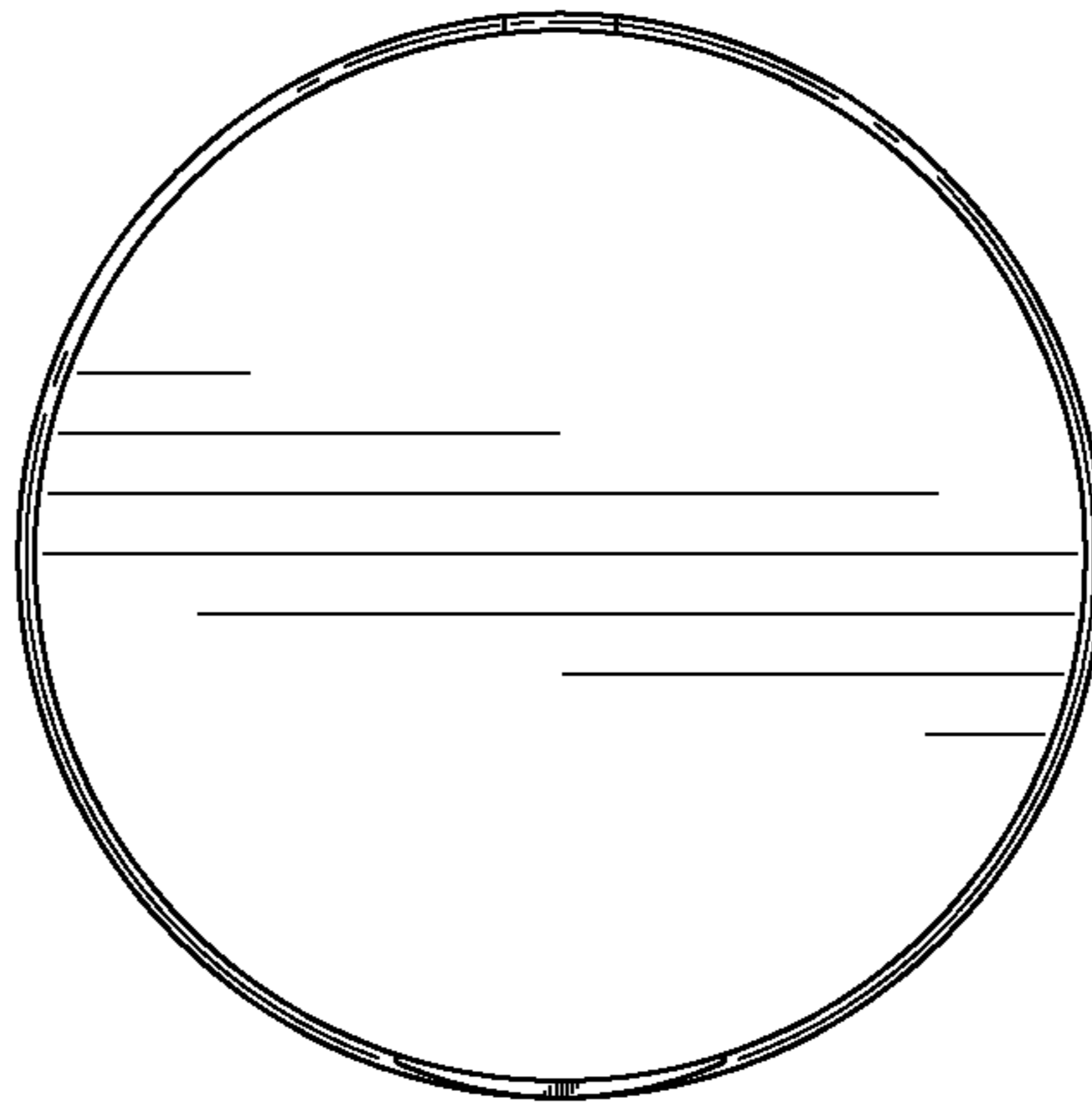


FIG. 3

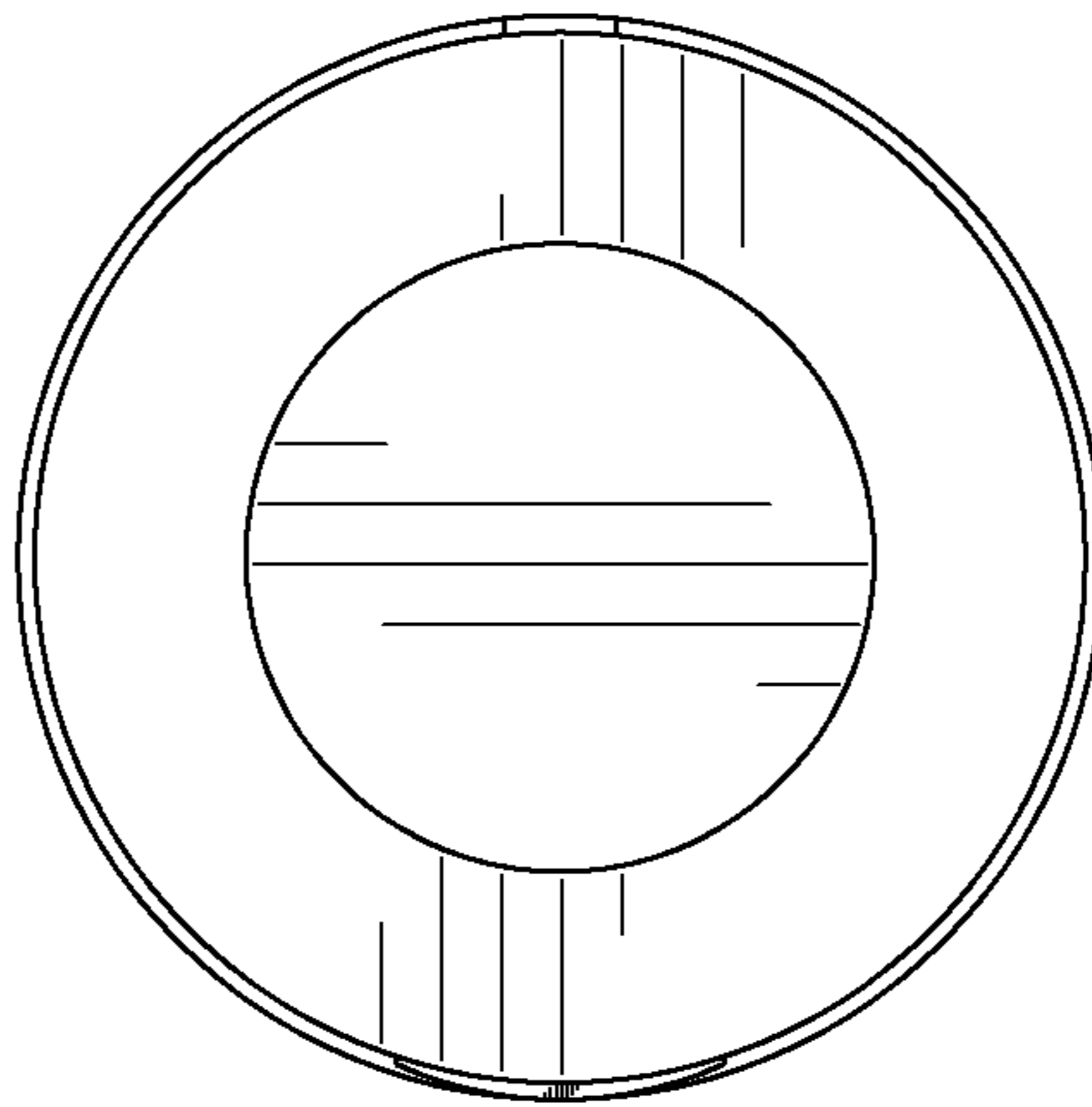


FIG. 4

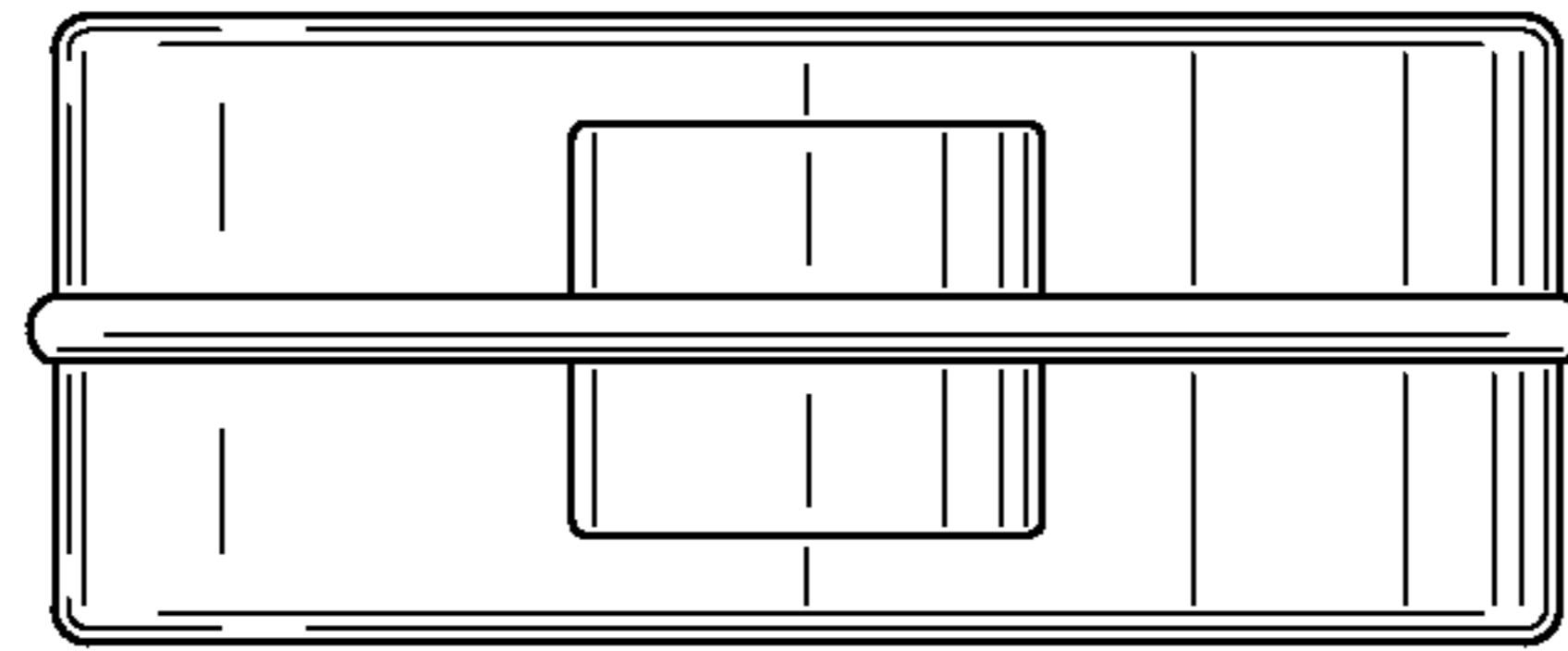


FIG. 5

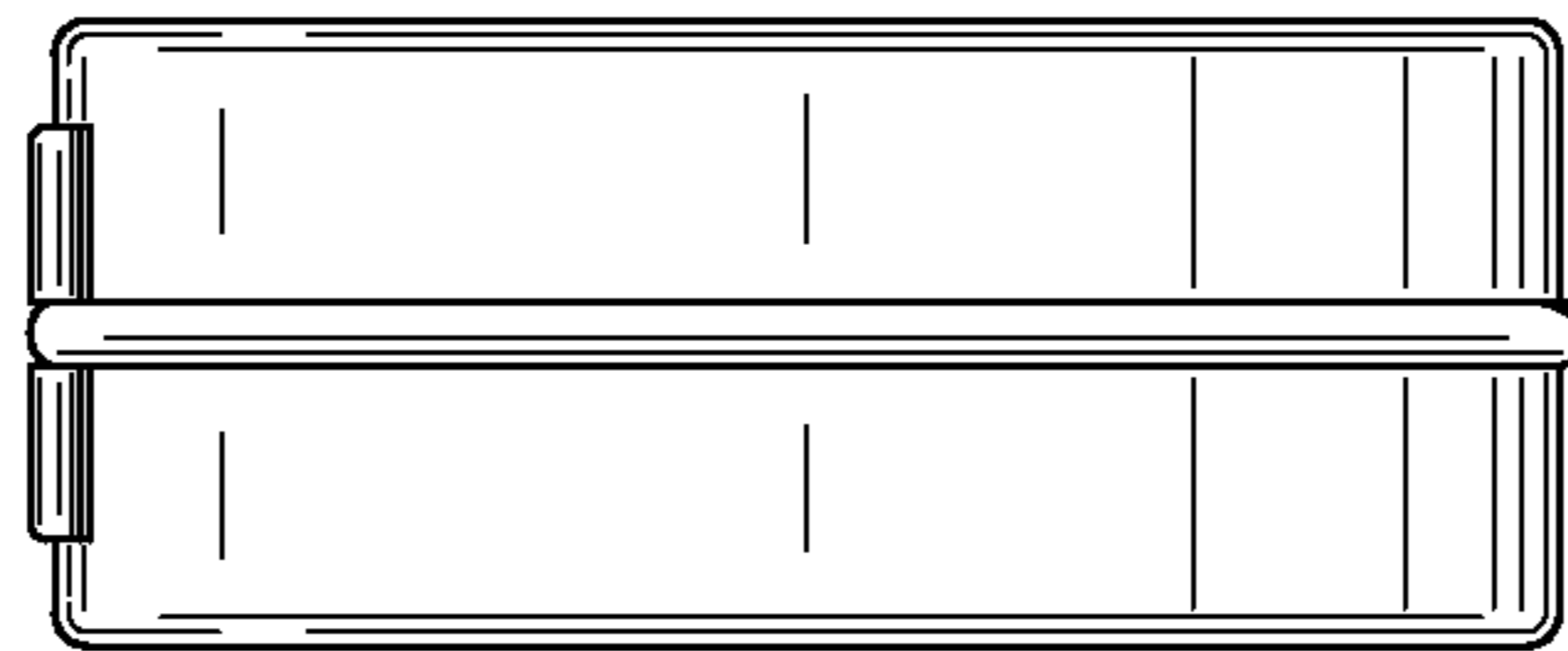


FIG. 6

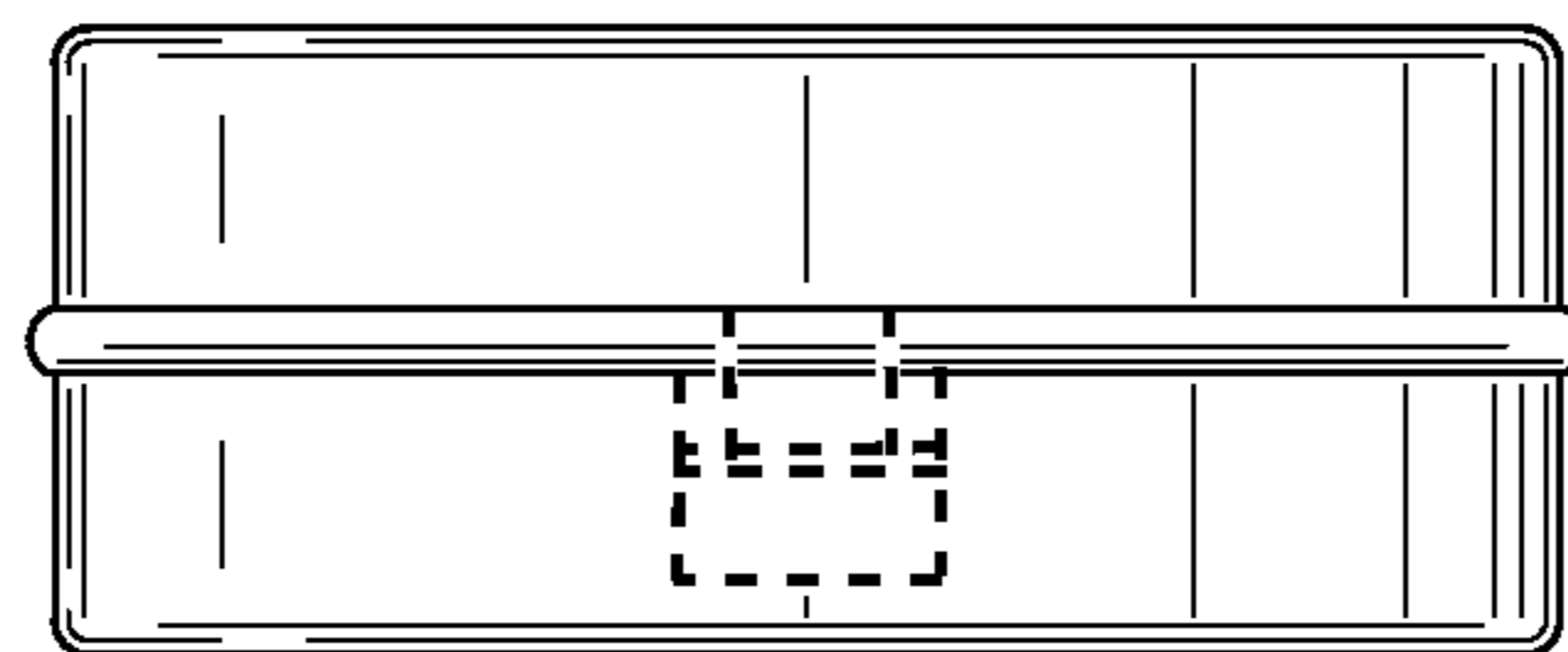


FIG. 7

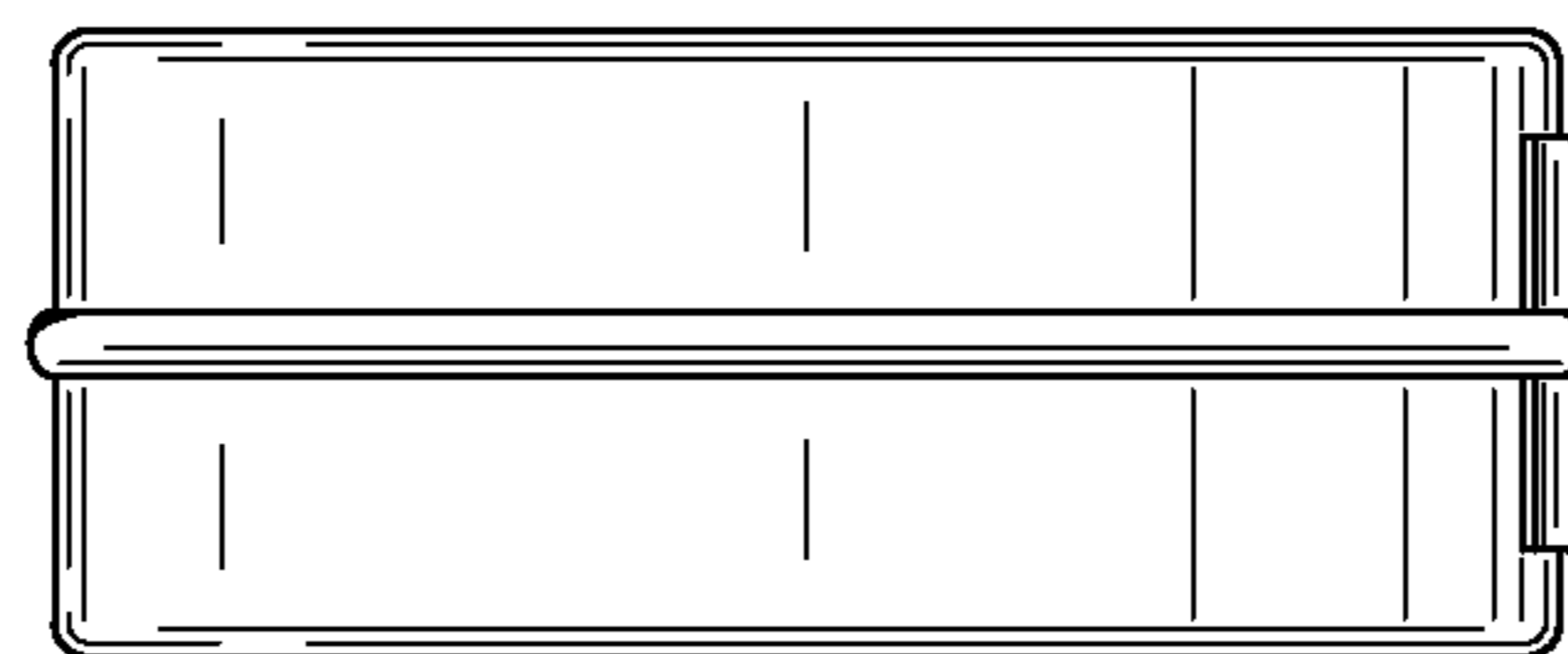


FIG. 8