



US00D744696S

(12) **United States Design Patent**  
**Malhi**

(10) **Patent No.:** **US D744,696 S**

(45) **Date of Patent:** **\*\* Dec. 1, 2015**

- (54) **E-CIGARETTE MOUTHPIECE**
- (71) Applicant: **Anil K Malhi**, Riverside, CA (US)
- (72) Inventor: **Anil K Malhi**, Riverside, CA (US)
- (\*\*) Term: **14 Years**
- (21) Appl. No.: **29/492,723**
- (22) Filed: **Jun. 2, 2014**
- (51) **LOC (10) Cl.** ..... **27-02**
- (52) **U.S. Cl.**  
USPC ..... **D27/170; D27/169**
- (58) **Field of Classification Search**  
USPC ..... D27/101, 162, 163, 164, 167, 169, 170,  
D27/172, 183, 193, 194; 131/71, 76, 175,  
131/187, 191, 258, 270, 273, 361; D24/110  
CPC ..... A24F 7/00; A24F 7/02; A24F 7/04;  
A24F 13/02; A24F 47/008  
See application file for complete search history.

D634,065 S *	3/2011	Borushek	.....	D27/170
D658,807 S *	5/2012	Aboushi	.....	D27/169
D687,181 S	7/2013	Goch		
D688,416 S *	8/2013	Liu	.....	D27/101
D724,263 S *	3/2015	Malhi	.....	D27/101
D724,780 S *	3/2015	Wu	.....	D27/101
D728,156 S *	4/2015	Wu	.....	D27/101
D729,440 S *	5/2015	Liu	.....	D27/101
D739,601 S *	9/2015	Bahbah	.....	D27/170
2012/0305010 A1 *	12/2012	Mishra	.....	A24F 13/02 131/227
2013/0180533 A1 *	7/2013	Kim	.....	A24F 47/008 131/273
2015/0090253 A1 *	4/2015	Farrow	.....	A24F 47/008 128/200.14

\* cited by examiner

*Primary Examiner* — Susan Bennett Hattan

*Assistant Examiner* — Janice Hallmark

(74) *Attorney, Agent, or Firm* — Robert J. Lauson; Lauson & Tarver LLP

(57) **CLAIM**

I claim an ornamental design for the e-cigarette mouthpiece, substantially as shown and described.

(56) **References Cited**

U.S. PATENT DOCUMENTS

D42,092 S *	1/1912	Shunk	.....	D11/160
D72,012 S *	2/1927	Burnee	.....	D27/170
D86,086 S *	1/1932	Johnston	.....	D27/170
2,159,018 A *	5/1939	Dye	.....	A24F 13/02 131/178
D129,846 S *	10/1941	Lemoynes	.....	131/175
D143,725 S *	2/1946	Grandon	.....	D27/164
D197,689 S *	3/1964	Levin	.....	D27/164
D485,639 S *	1/2004	Stronski	.....	D27/170
D588,741 S *	3/2009	Murdaugh, III	.....	D27/169
D604,010 S *	11/2009	Borden	.....	D27/164

**DESCRIPTION**

FIG. 1 is a perspective view of an e-cigarette mouthpiece.

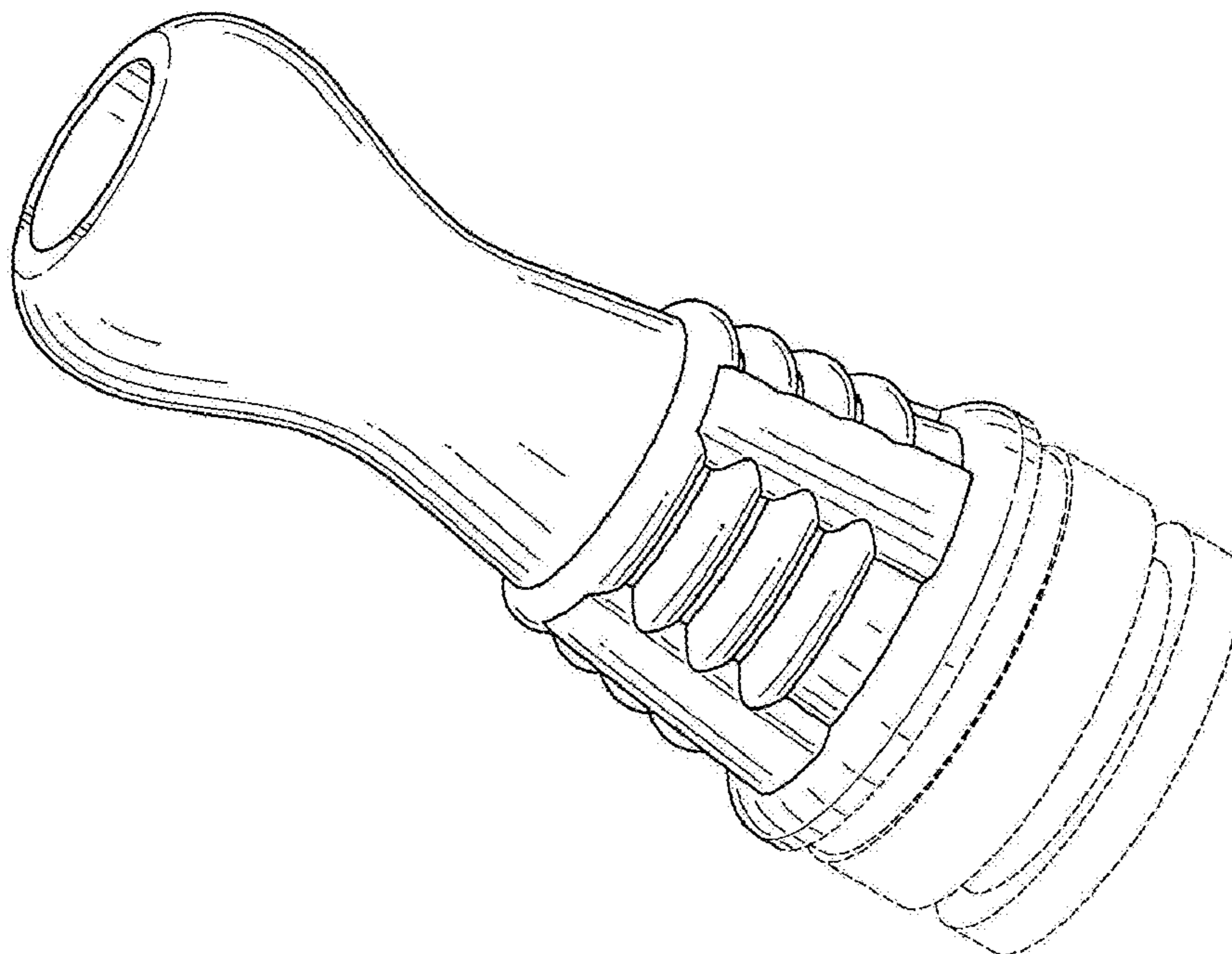
FIG. 2 is a side view thereof; and,

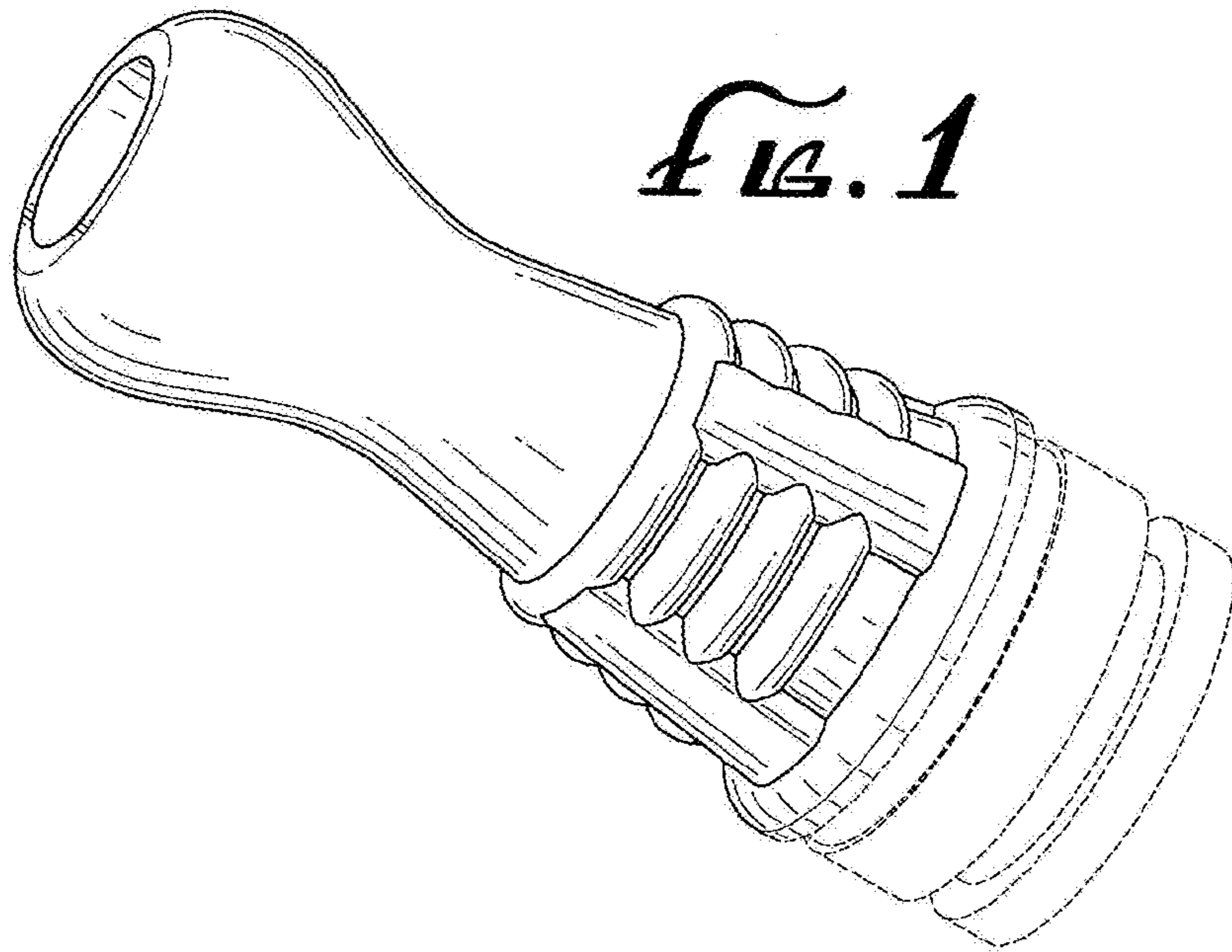
FIG. 3 is a front view thereof.

The broken lines in the drawings depict the environment of the e-cigarette mouthpiece and form no part of the claimed design.

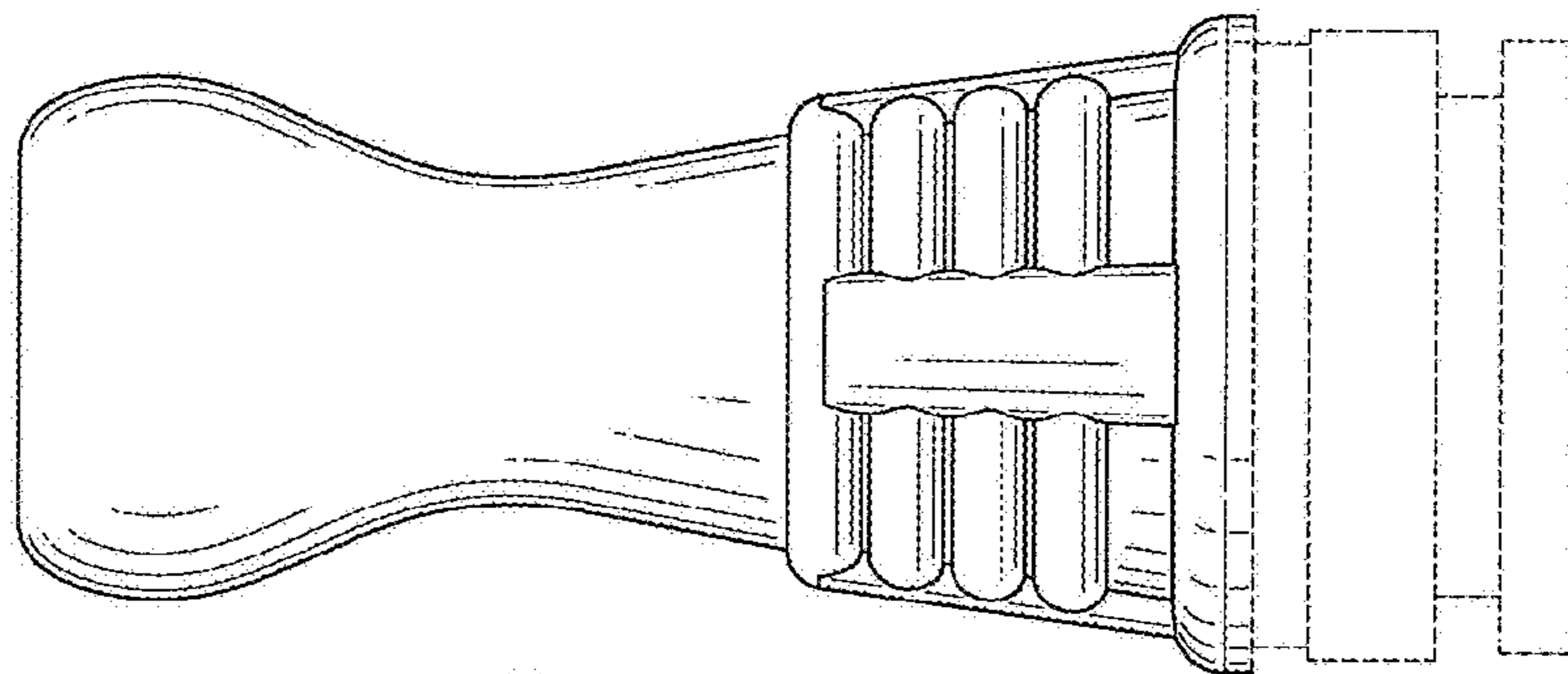
The rear view forms no part of the design and is omitted.

**1 Claim, 1 Drawing Sheet**

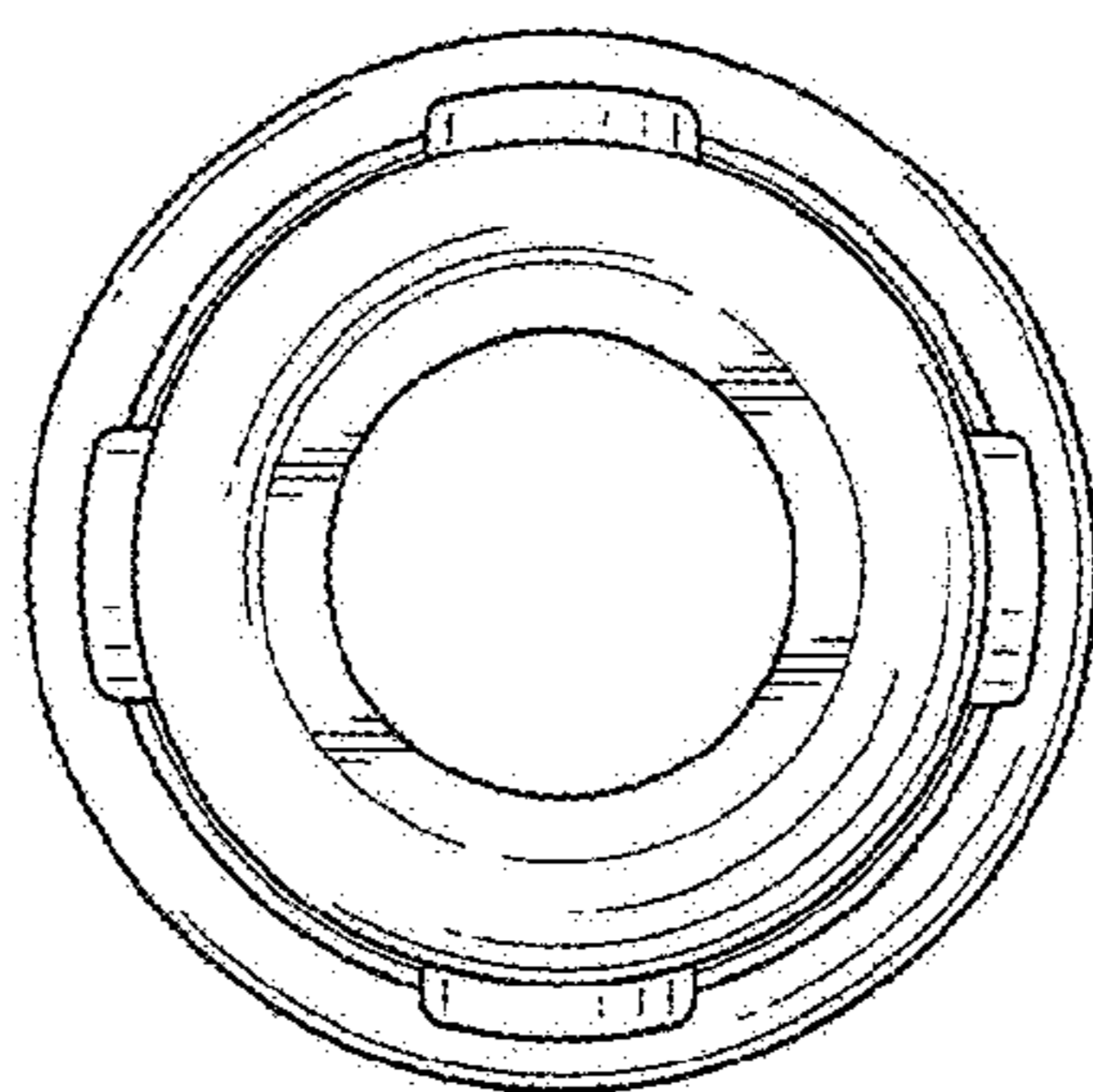




*FIG. 1*



*FIG. 2*



*FIG. 3*