



US00D744694S

(12) **United States Design Patent**
Goltche

(10) **Patent No.:** **US D744,694 S**

(45) **Date of Patent:** **** Dec. 1, 2015**

(54) **LED LIGHT LENS**

(71) Applicant: **Yehuda Goltche**, Great Neck, NY (US)

(72) Inventor: **Yehuda Goltche**, Great Neck, NY (US)

(**) Term: **14 Years**

(21) Appl. No.: **29/512,478**

(22) Filed: **Dec. 19, 2014**

(51) **LOC (10) Cl.** **26-99**

(52) **U.S. Cl.**
USPC **D26/120**

(58) **Field of Classification Search**
USPC D26/120, 118, 47, 73, 94, 113, 122,
D26/125, 128, 147; 362/147, 241, 291, 319,
362/334-335, 341, 347, 361, 806
CPC F21V 5/00; F21V 11/00; F21V 21/02;
F21V 5/04; F21V 5/048
See application file for complete search history.

(56) **References Cited**

U.S. PATENT DOCUMENTS

D311,597 S 10/1990 Poot
D471,300 S 3/2003 Cantor et al.
D586,033 S 2/2009 Tomimoto
7,794,117 B2* 9/2010 Cheng F21V 5/04

7,985,009 B2* 7/2011 Ho 362/335
F21V 5/04
D674,965 S * 1/2013 Lueken 362/335
D26/120
8,382,338 B2* 2/2013 Lee F21V 5/04
362/336
D714,994 S 10/2014 Deyaf
2015/0204507 A1* 7/2015 Kang F21V 7/00
362/293

* cited by examiner

Primary Examiner — Wan Laymon

(57) **CLAIM**

The ornamental design for an LED light lens, as shown and described.

DESCRIPTION

FIG. 1 is a top front perspective view of an LED light lens;
FIG. 2 is a front elevation view thereof;
FIG. 3 is a rear elevation view thereof;
FIG. 4 is a left side elevation view thereof; the right side view
being a mirror image thereof;
FIG. 5 is a top plan view thereof; the bottom plan view being
an identical image thereof; and,
FIG. 6 is a perspective view thereof.
The broken lines shown represent unclaimed subject matter
and form no part of the claimed design.

1 Claim, 3 Drawing Sheets

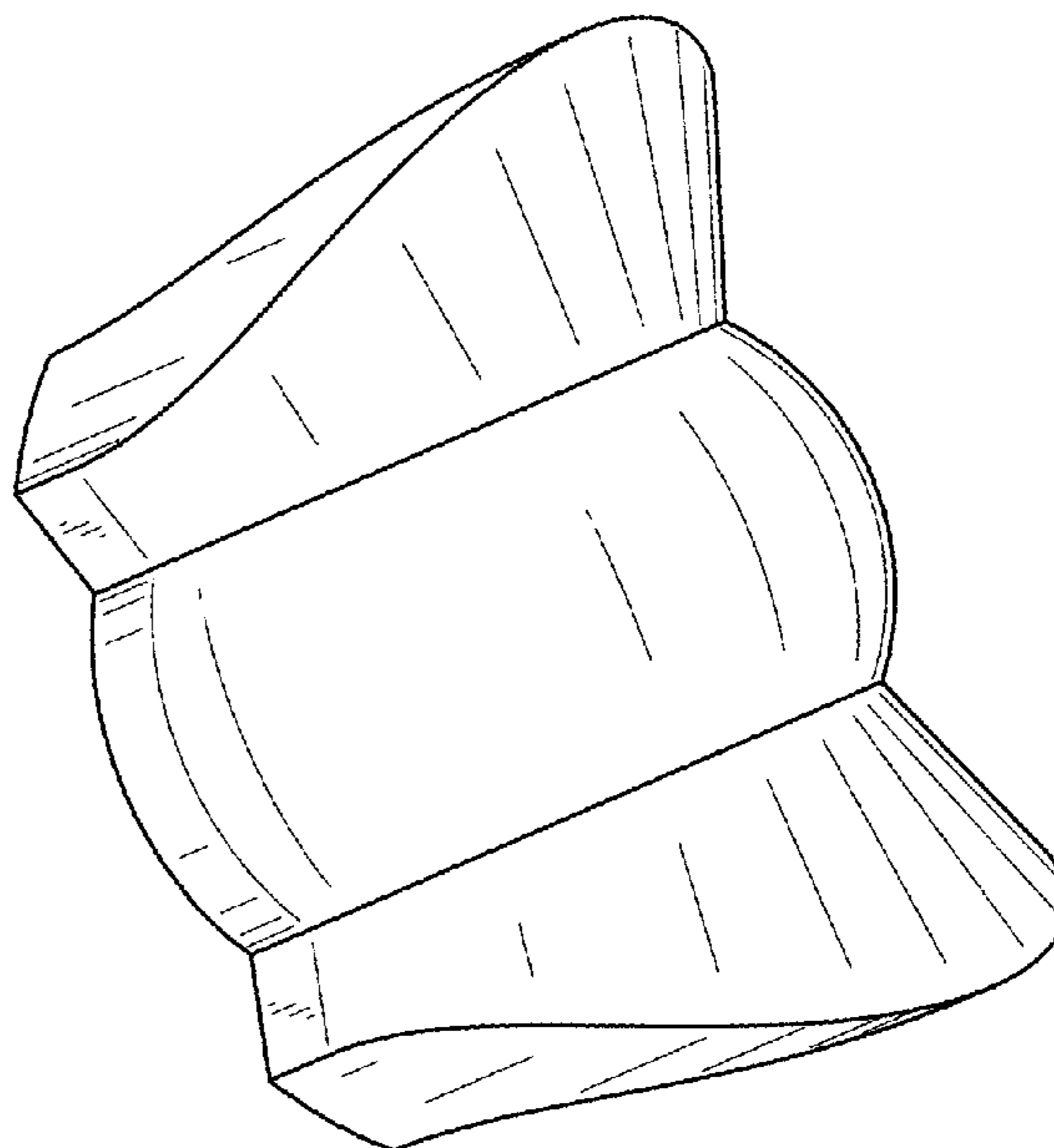
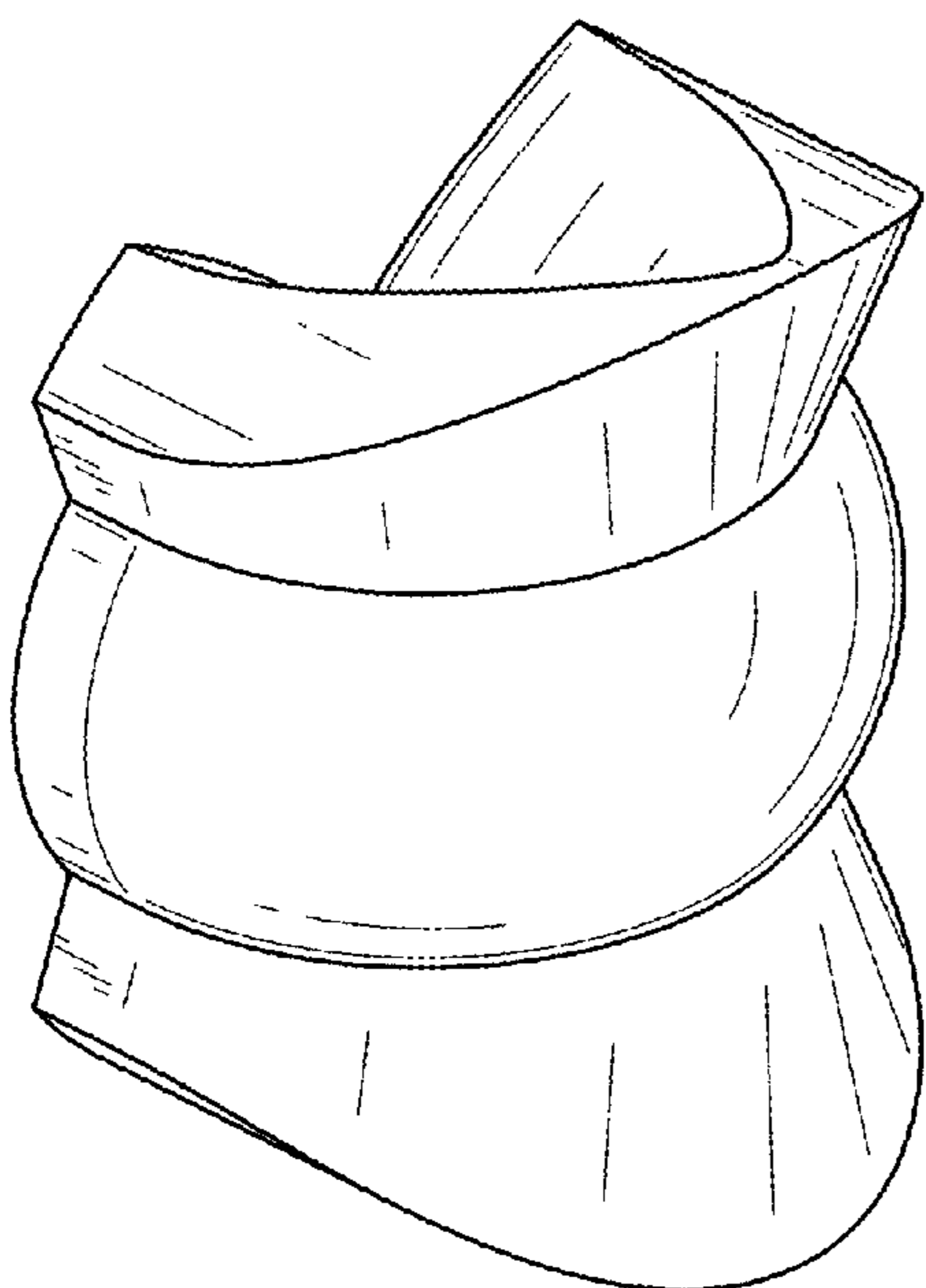


FIG. 1

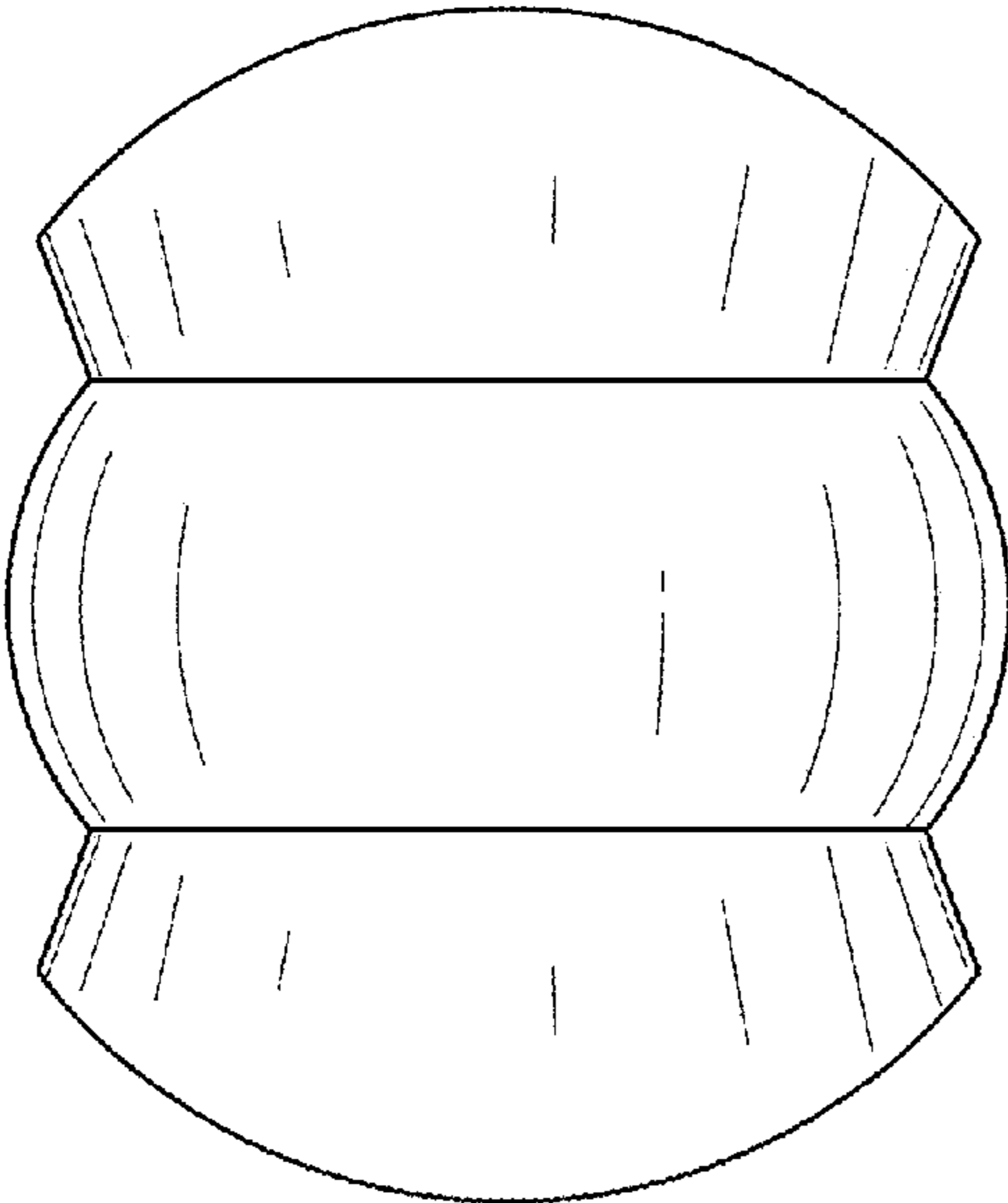
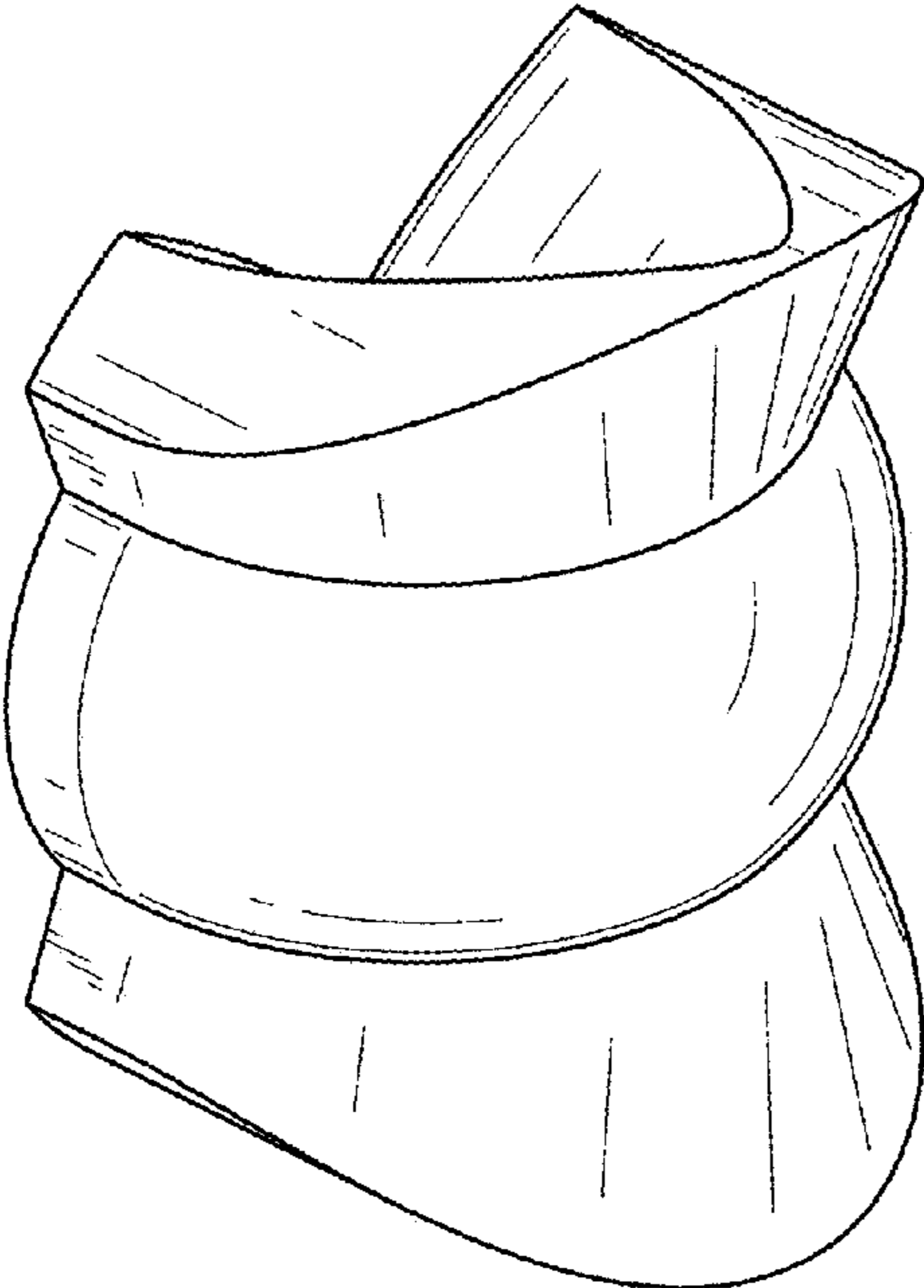


FIG. 2

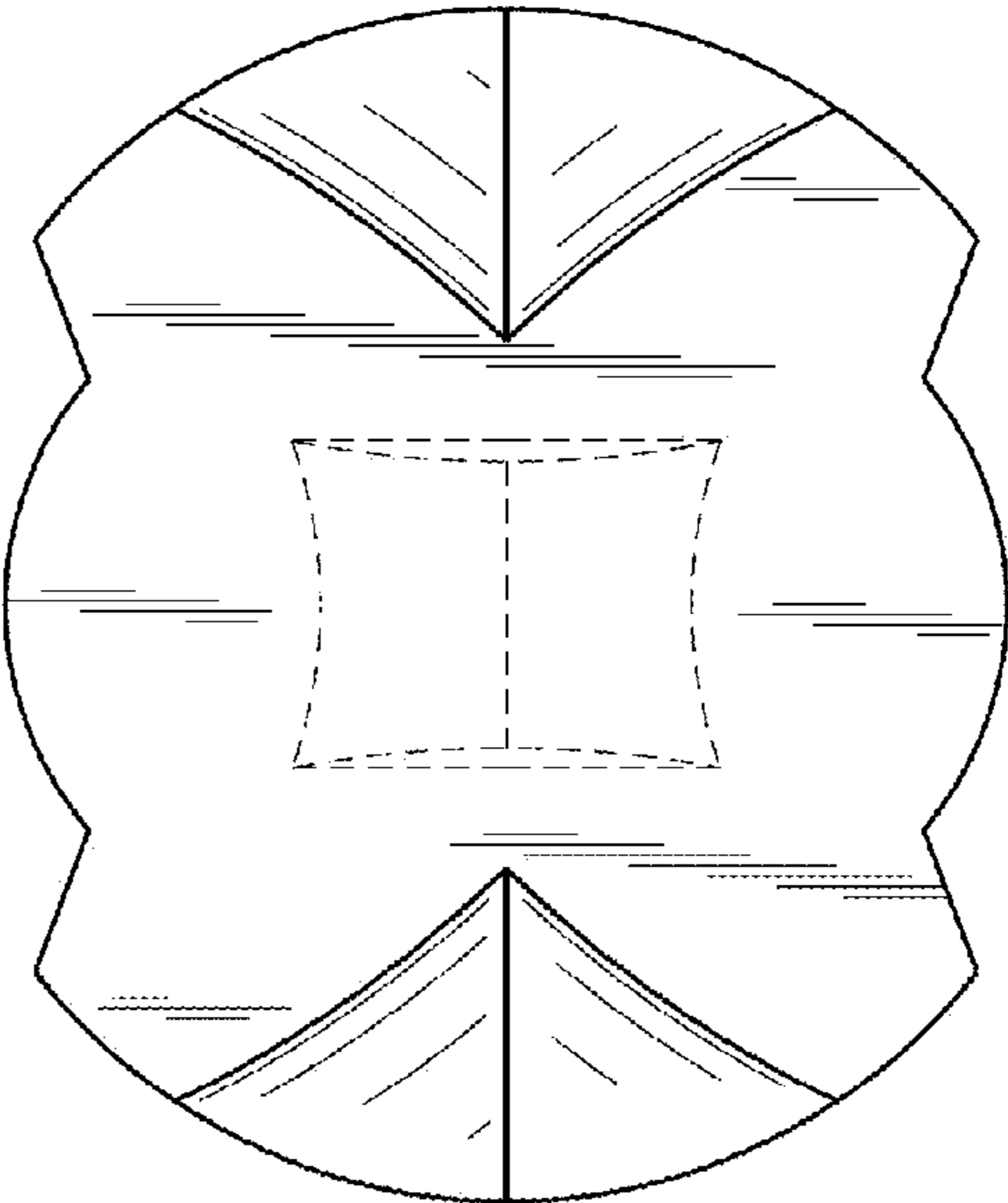


FIG. 3

FIG. 4

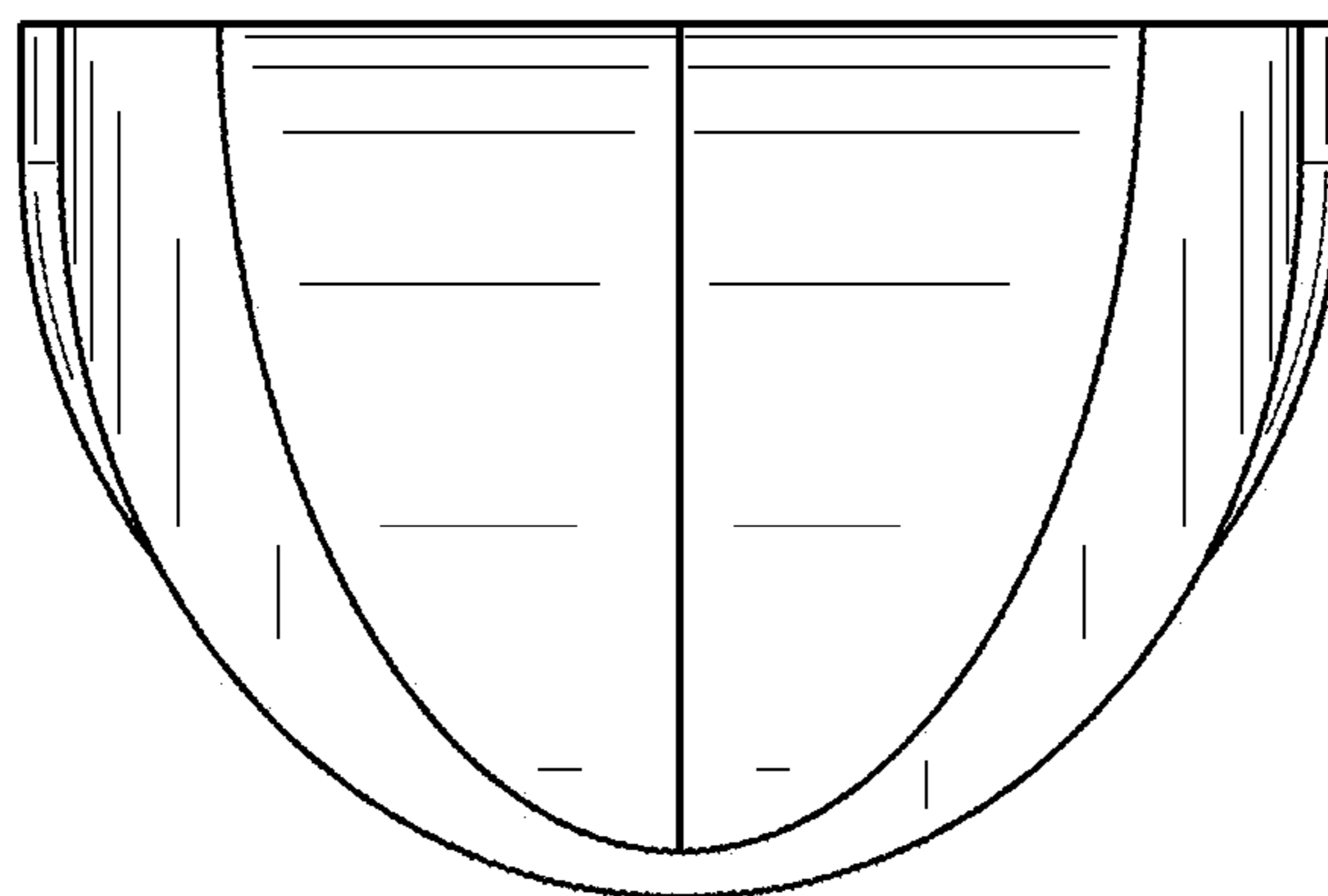
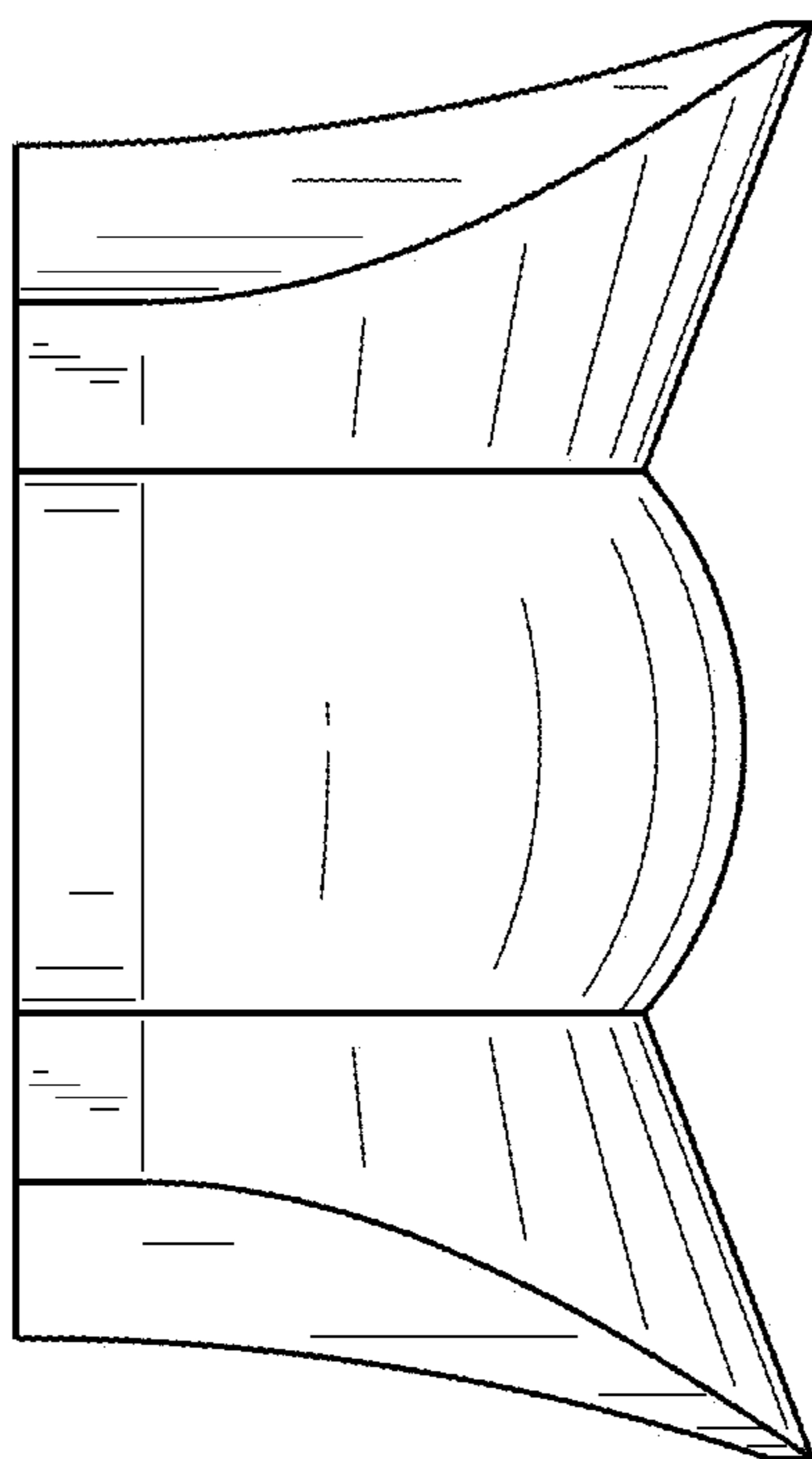


FIG. 5

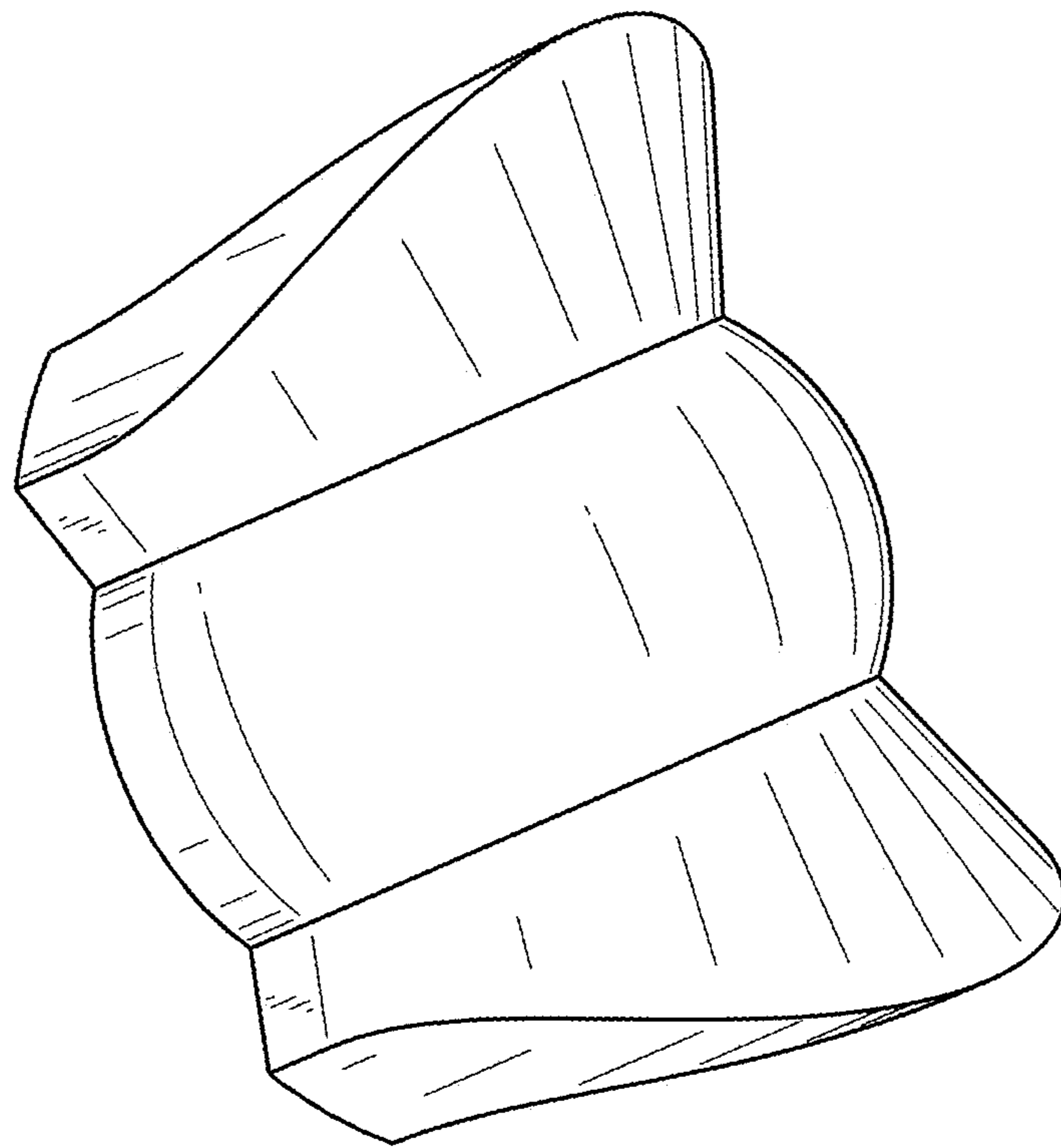


FIG. 6