



US00D744693S

(12) **United States Design Patent**
Kitts

(10) **Patent No.:** **US D744,693 S**

(45) **Date of Patent:** **** Dec. 1, 2015**

(54) **LAMP**

(71) Applicant: **Hubbardton Forge LLC**, Castleton, VT (US)

(72) Inventor: **David Kitts**, Rutland, VT (US)

(73) Assignee: **Hubbardton Forge LLC**, Castleton, VT (US)

(**) Term: **14 Years**

(21) Appl. No.: **29/473,498**

(22) Filed: **Nov. 22, 2013**

(51) **LOC (10) Cl.** **26-03**

(52) **U.S. Cl.**
USPC **D26/107**

(58) **Field of Classification Search**
USPC D26/24, 93, 107
CPC F21S 6/002; F21S 8/08; F21V 21/02;
F21W 2131/30

See application file for complete search history.

(56) **References Cited**

U.S. PATENT DOCUMENTS

D131,143 S *	1/1942	Bramsen	D26/107
D203,215 S *	12/1965	Koch	D26/93
D411,639 S *	6/1999	Yang	D26/107
D534,300 S *	12/2006	Eikelenboom	D26/107
D580,091 S *	11/2008	Flindt	D26/107
D609,852 S *	2/2010	Stoepker et al.	D26/107

* cited by examiner

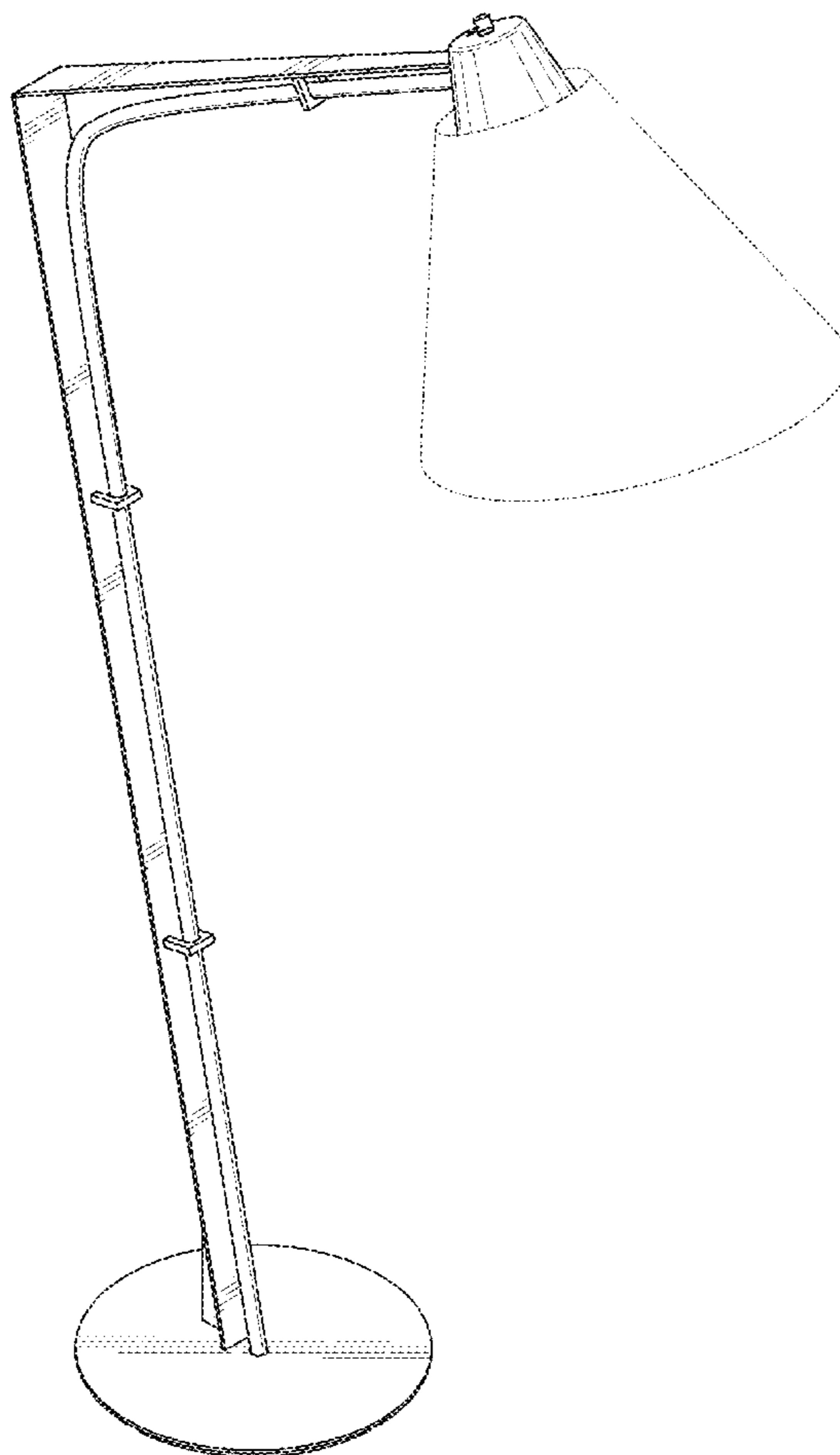
Primary Examiner — Brian N Vinson

(57) **CLAIM**
The ornamental design for a lamp, as shown.

DESCRIPTION

FIG. 1 is a perspective view of the lamp according to the present invention;
FIG. 2 is a front view of the lamp thereof;
FIG. 3 is a back view of the lamp thereof;
FIG. 4 is a right view of the lamp, the left view being a mirror image thereof;
FIG. 5 is a top view of the lamp thereof; and,
FIG. 6 is a bottom view of the lamp thereof.
The broken line disclosure in the views represents a portion of the lamp which forms no part of the claimed design.

1 Claim, 6 Drawing Sheets



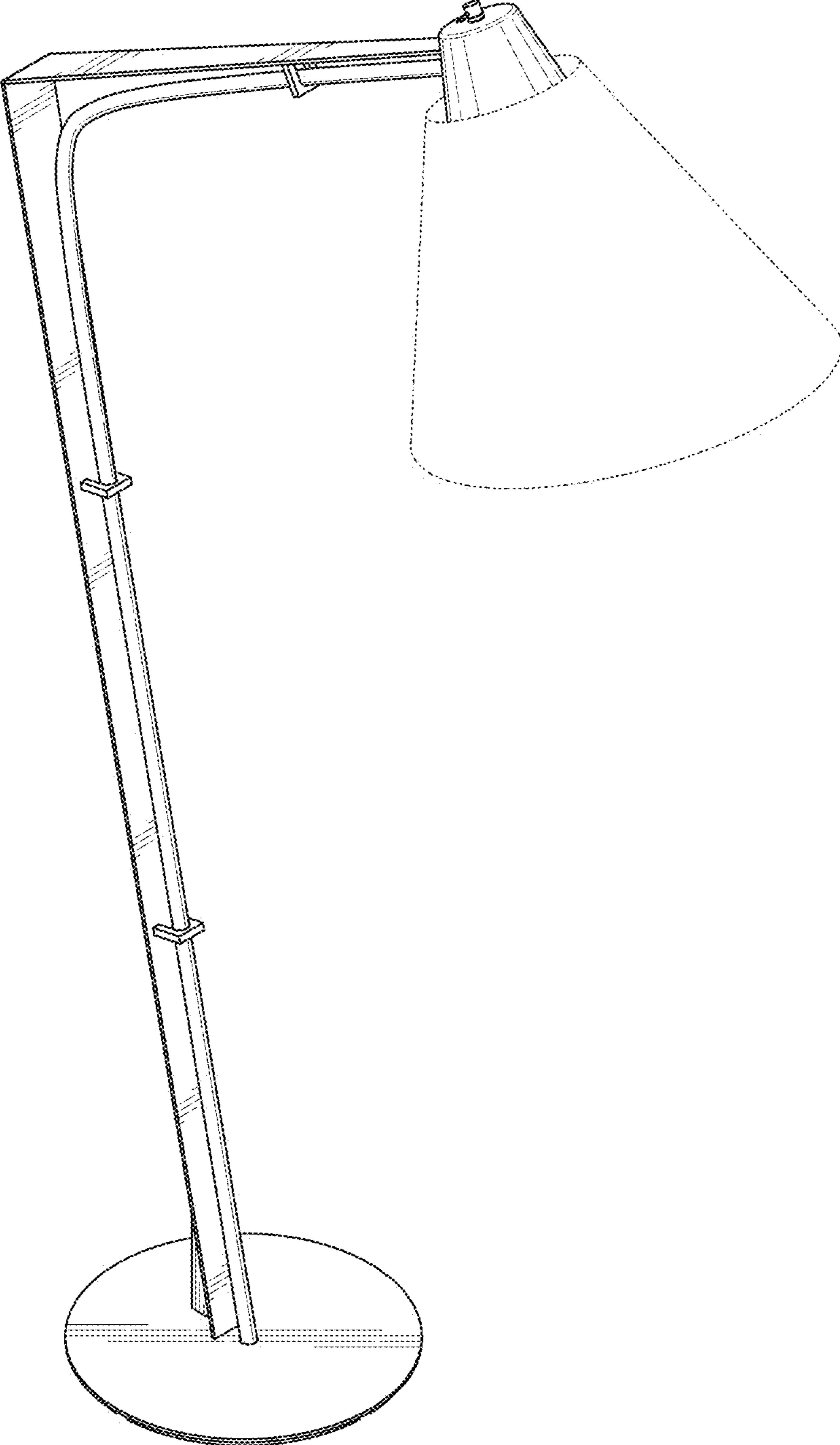


FIG. 1

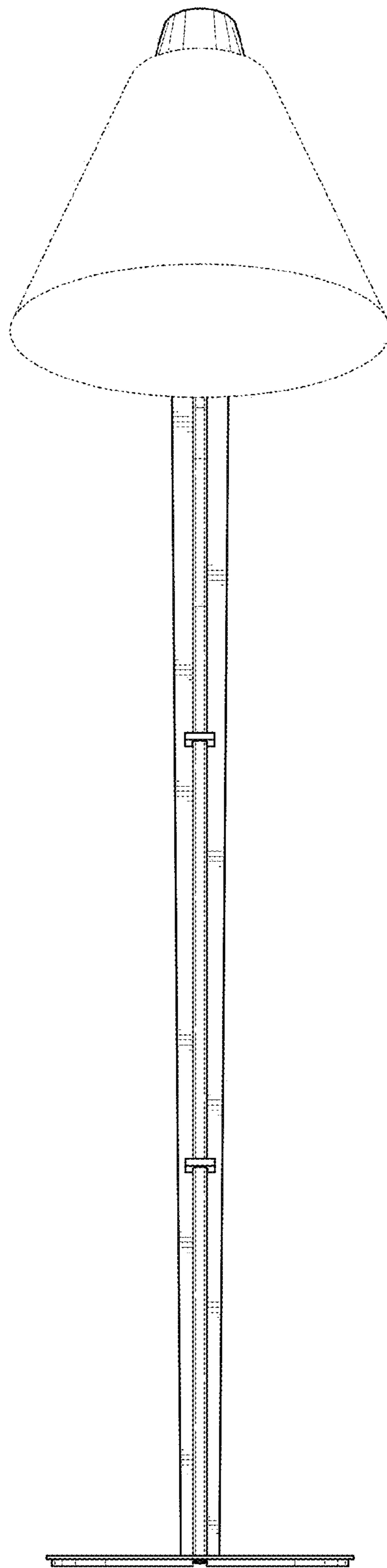


FIG. 2

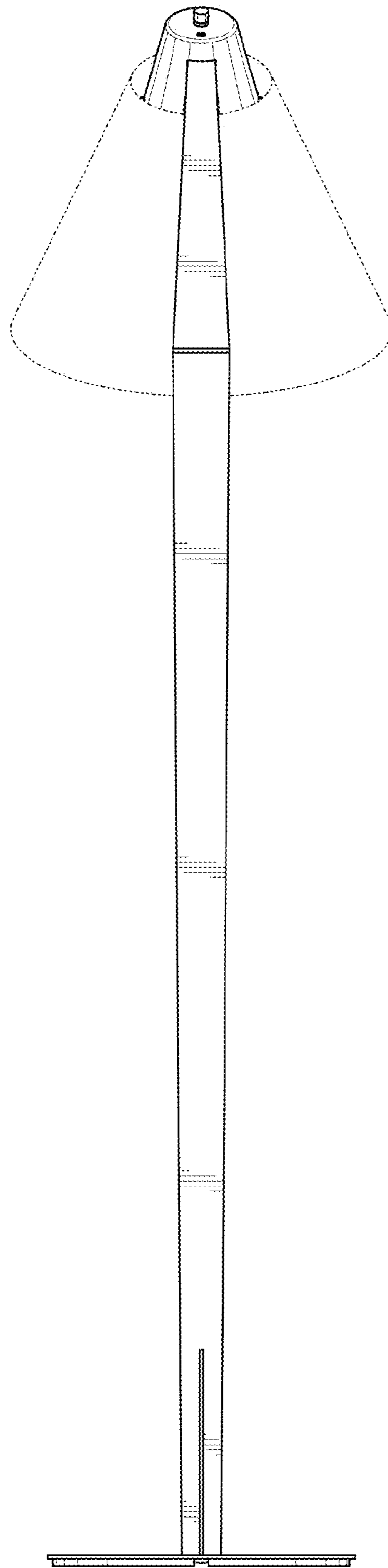


FIG. 3

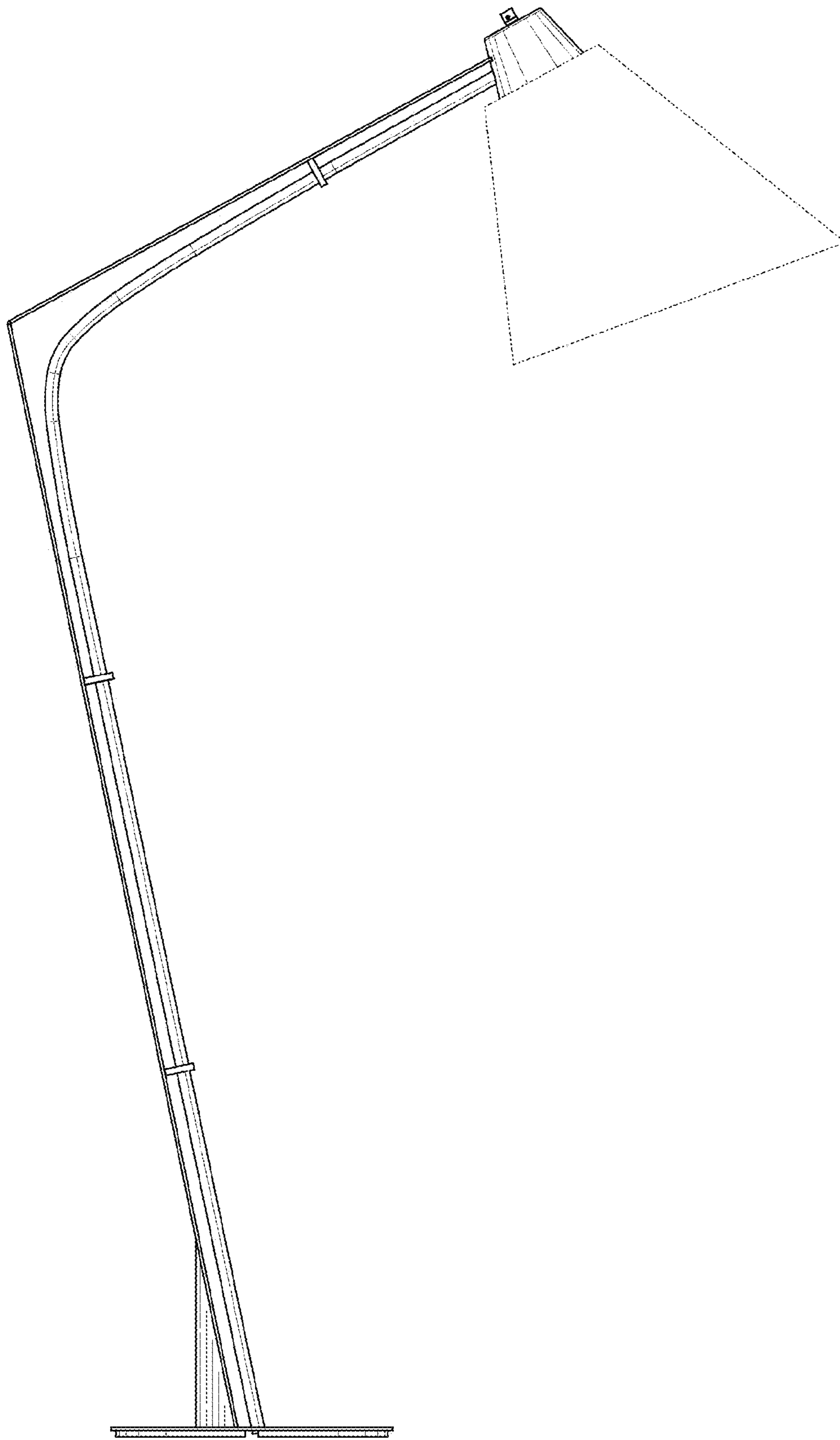


FIG. 4

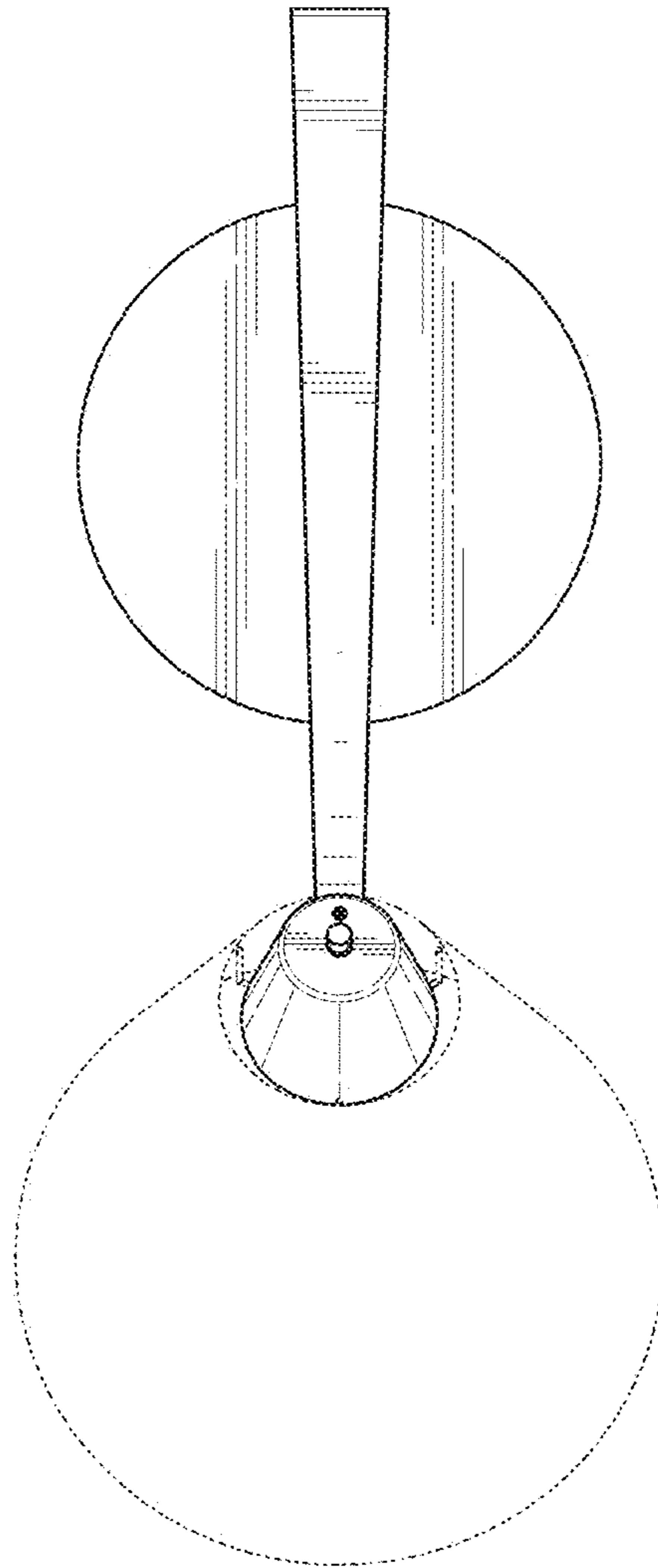


FIG. 5

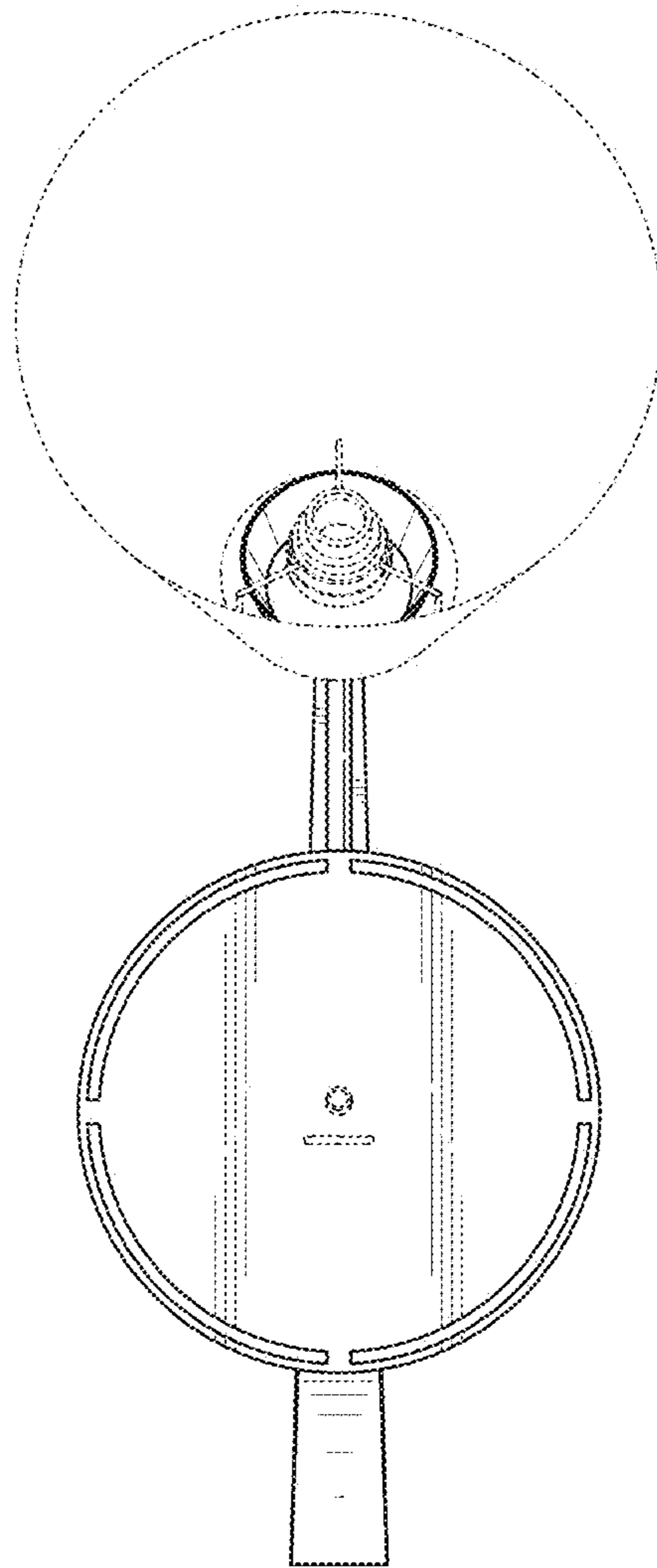


FIG. 6