



US00D744692S

(12) **United States Design Patent**
Poulton

(10) **Patent No.:** **US D744,692 S**

(45) **Date of Patent:** **** Dec. 1, 2015**

(54) **TABLE LAMP**

(71) Applicant: **Artemide S.p.A.**, Milan (IT)

(72) Inventor: **Neil Poulton**, Milan (IT)

(73) Assignee: **ARTEMIDE S.p.A.**, Milan (IT)

(**) Term: **14 Years**

(21) Appl. No.: **29/469,863**

(22) Filed: **Oct. 15, 2013**

(30) **Foreign Application Priority Data**

Apr. 15, 2013 (EM) 002220640-0004

(51) **LOC (10) Cl.** **26-03**

(52) **U.S. Cl.**

USPC **D26/107**

(58) **Field of Classification Search**

USPC D26/24, 93, 106, 107, 108, 110, 112,
D26/62, 65

CPC F21S 6/00; F21S 6/002; F21S 8/043;
F21S 8/08; F21V 21/02; F21V 21/116;
F21W 2131/30; F21Y 2105/00

See application file for complete search history.

(56) **References Cited**

U.S. PATENT DOCUMENTS

| | | | |
|--------------|---------|---------------------|---------|
| D443,382 S * | 6/2001 | Vong et al. | D26/93 |
| D513,088 S * | 12/2005 | Baarman et al. | D26/106 |
| D589,645 S * | 3/2009 | Citterio | D26/107 |
| D619,287 S * | 7/2010 | Liu | D26/62 |
| D648,057 S * | 11/2011 | Copeland | D26/65 |
| D669,627 S * | 10/2012 | Huang | D26/107 |
| D693,516 S * | 11/2013 | Copeland | D26/107 |
| D709,235 S * | 7/2014 | Chu | D26/65 |

* cited by examiner

Primary Examiner — Brian N Vinson

(74) *Attorney, Agent, or Firm* — Venable LLP; Robert Kinberg

(57) **CLAIM**

I claim the ornamental design for a table lamp, as shown and described.

DESCRIPTION

FIG. 1 is a perspective view of a table lamp, showing my new design;

FIG. 2 is a front view thereof;

FIG. 3 is a rear view thereof;

FIG. 4 is a side thereof;

FIG. 5 is an opposite side view thereof;

FIG. 6 is a top view thereof; and,

FIG. 7 is a bottom view thereof.

1 Claim, 7 Drawing Sheets

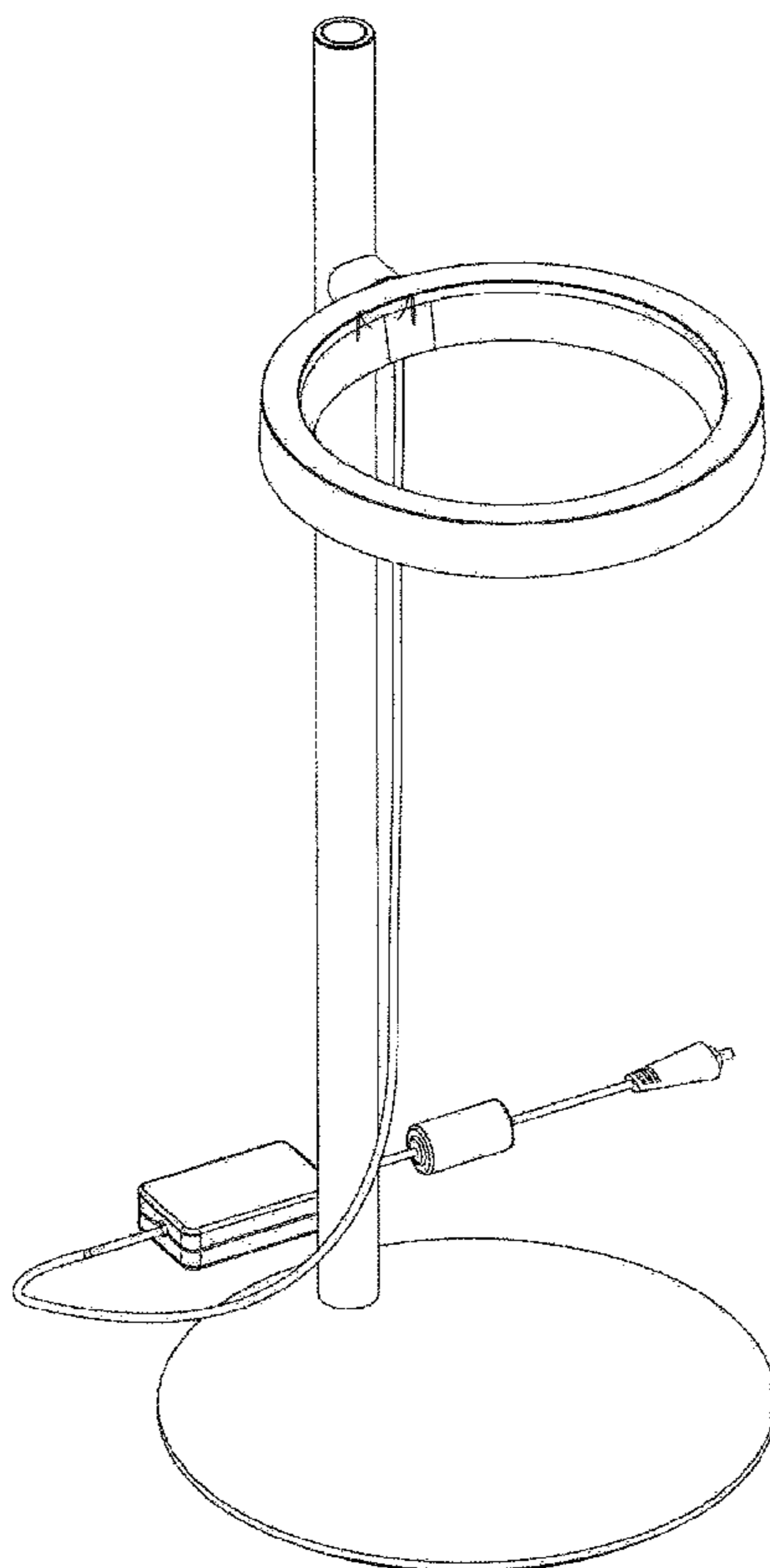


FIG. 1

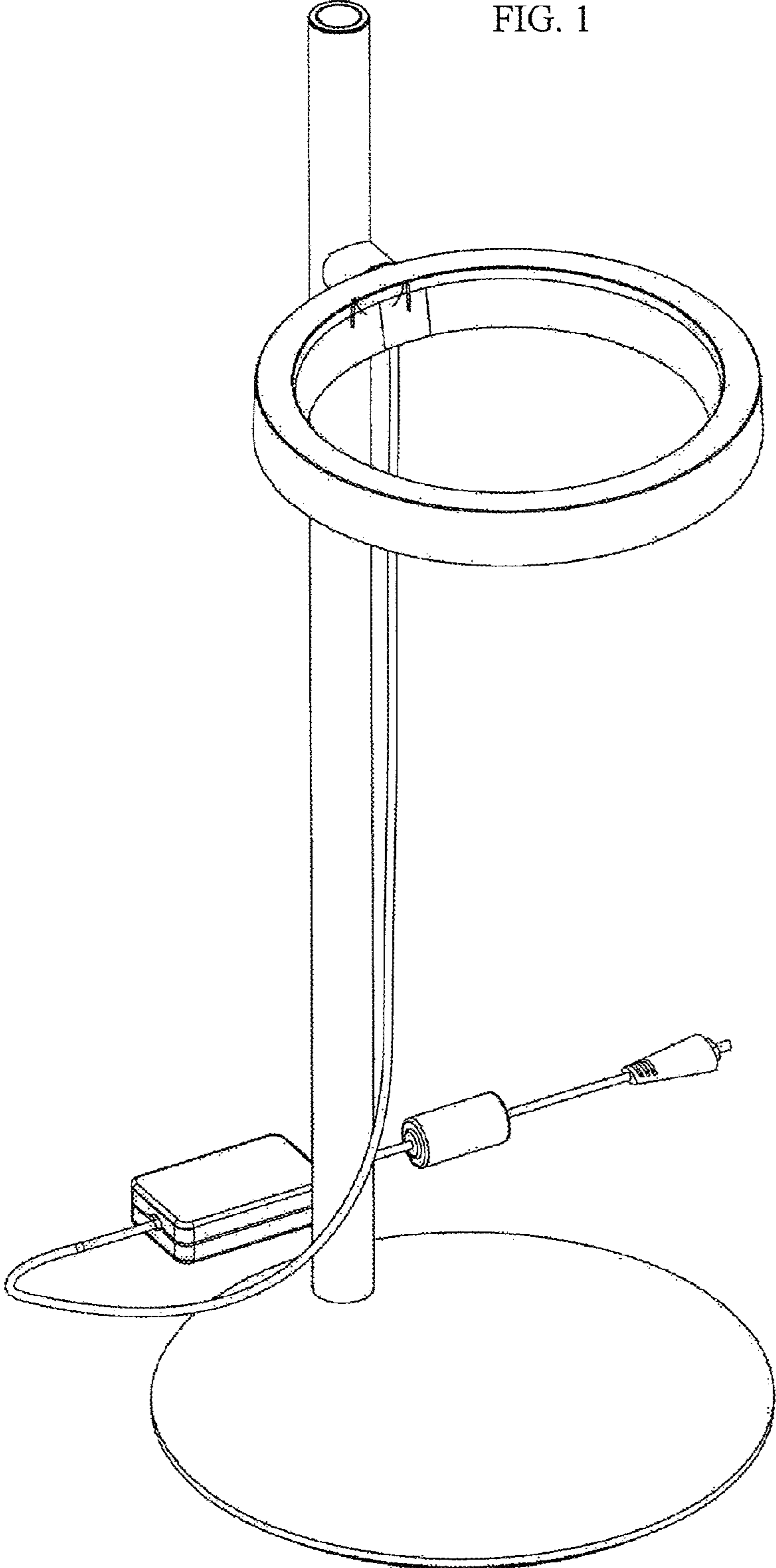


FIG. 2

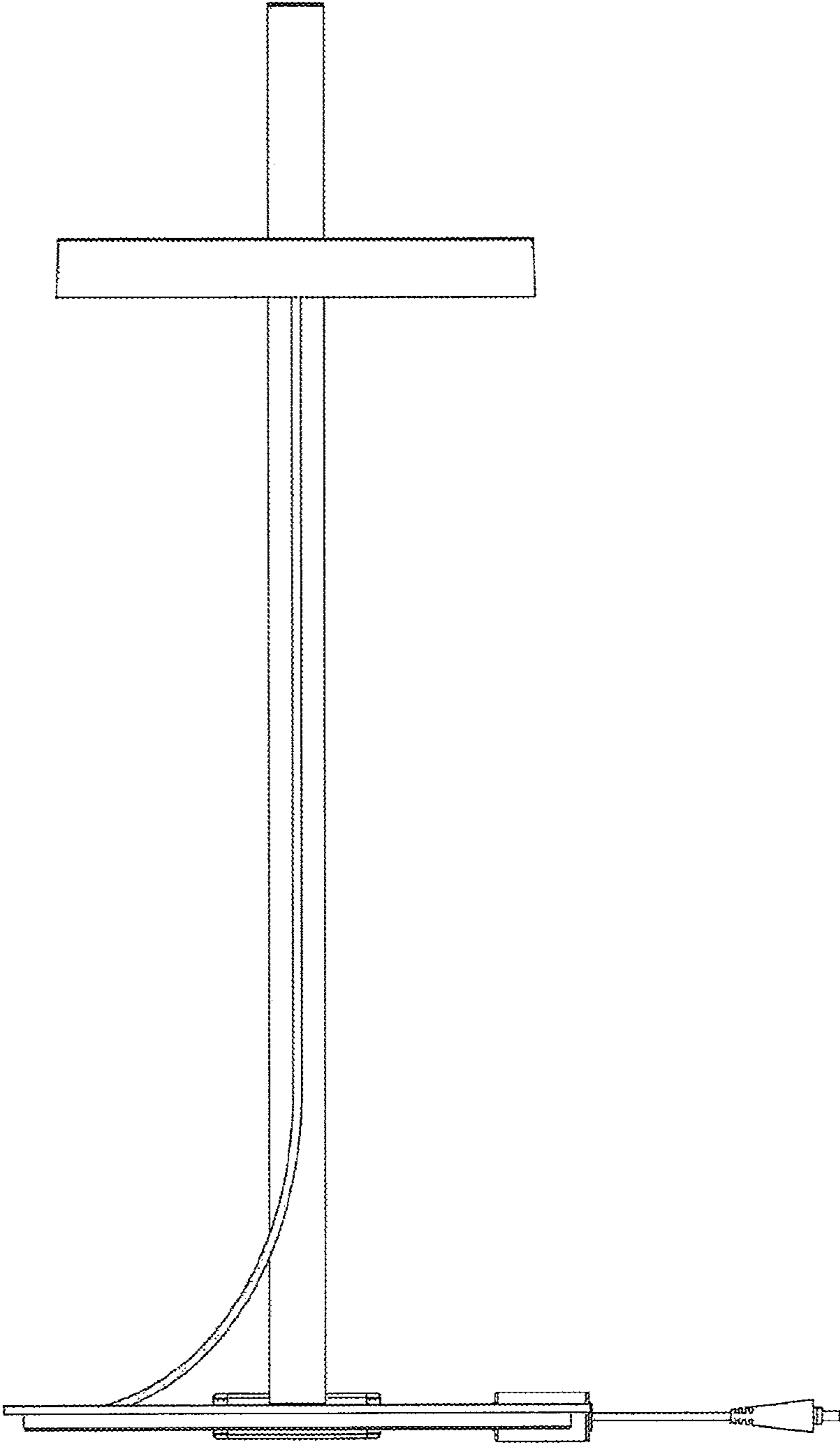


FIG. 3

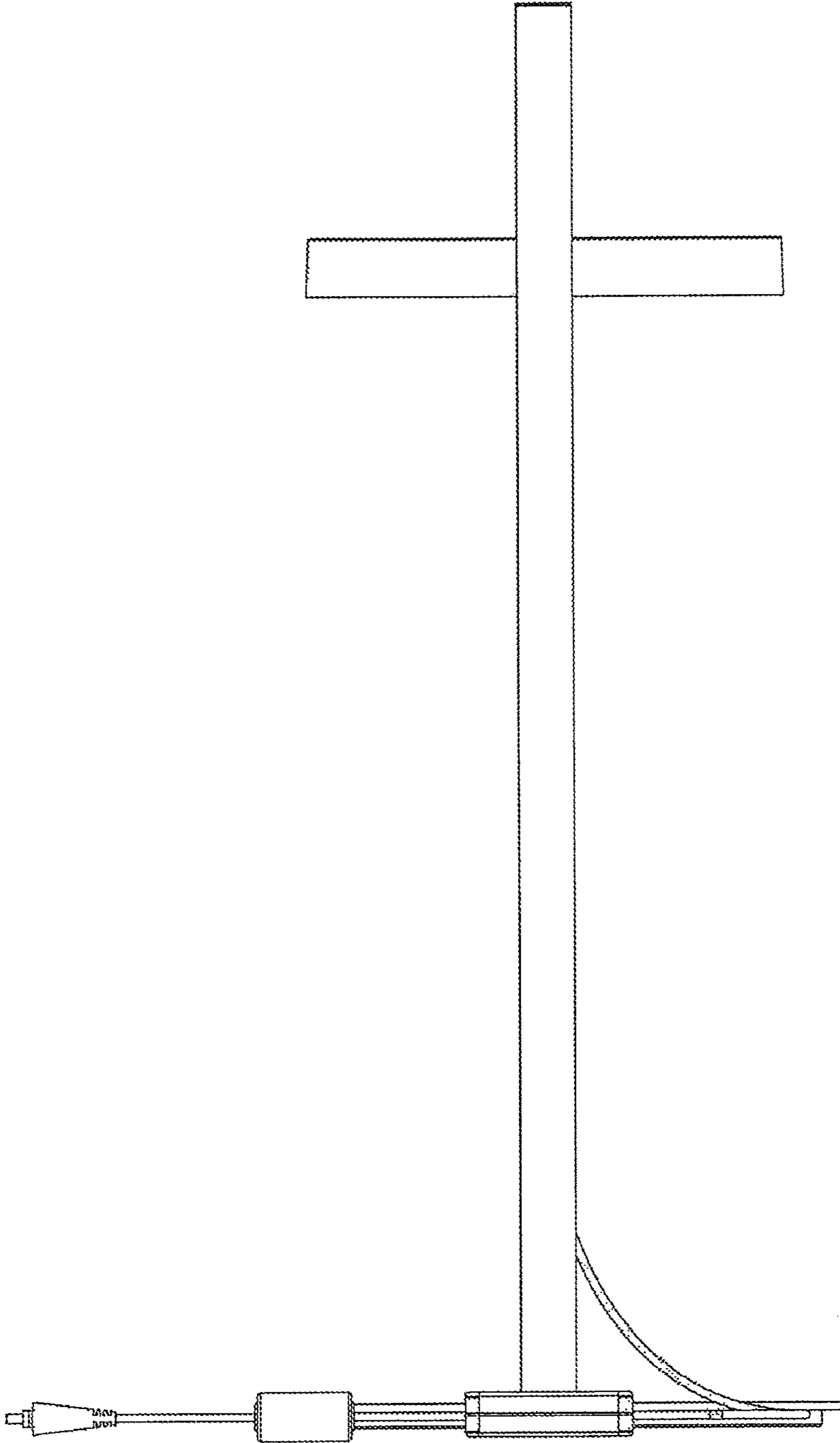


FIG. 4

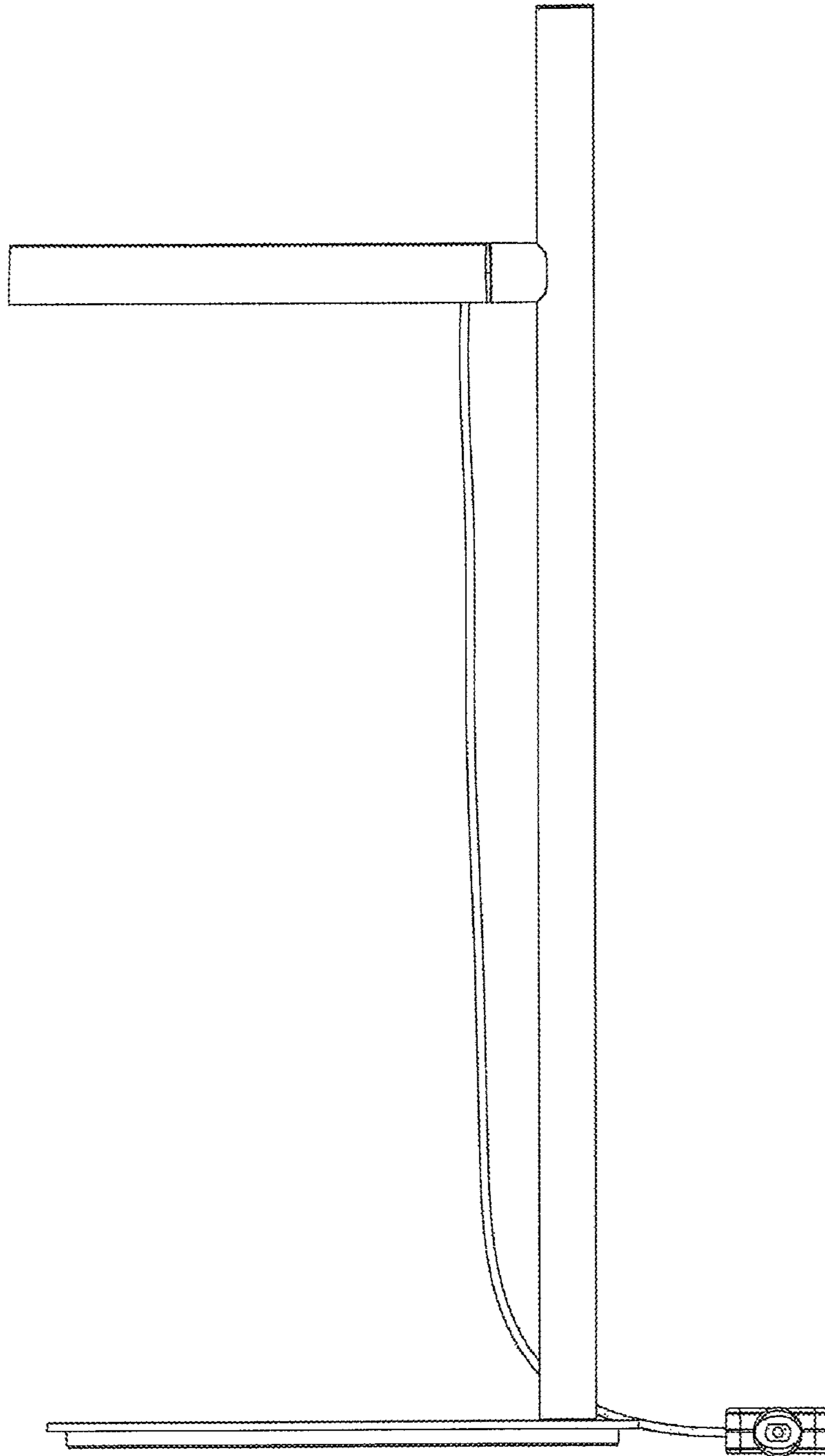


FIG. 5

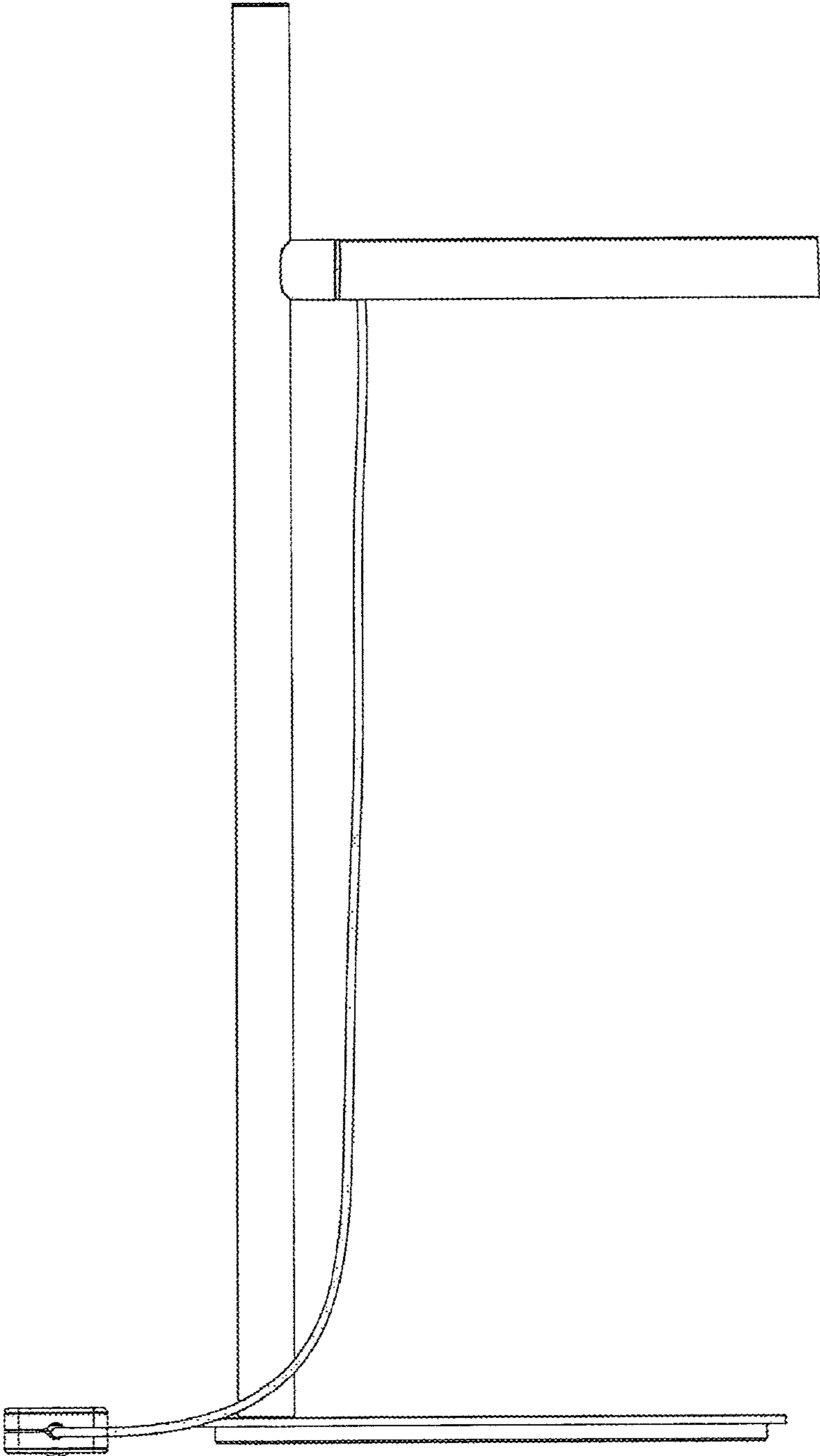


FIG. 6

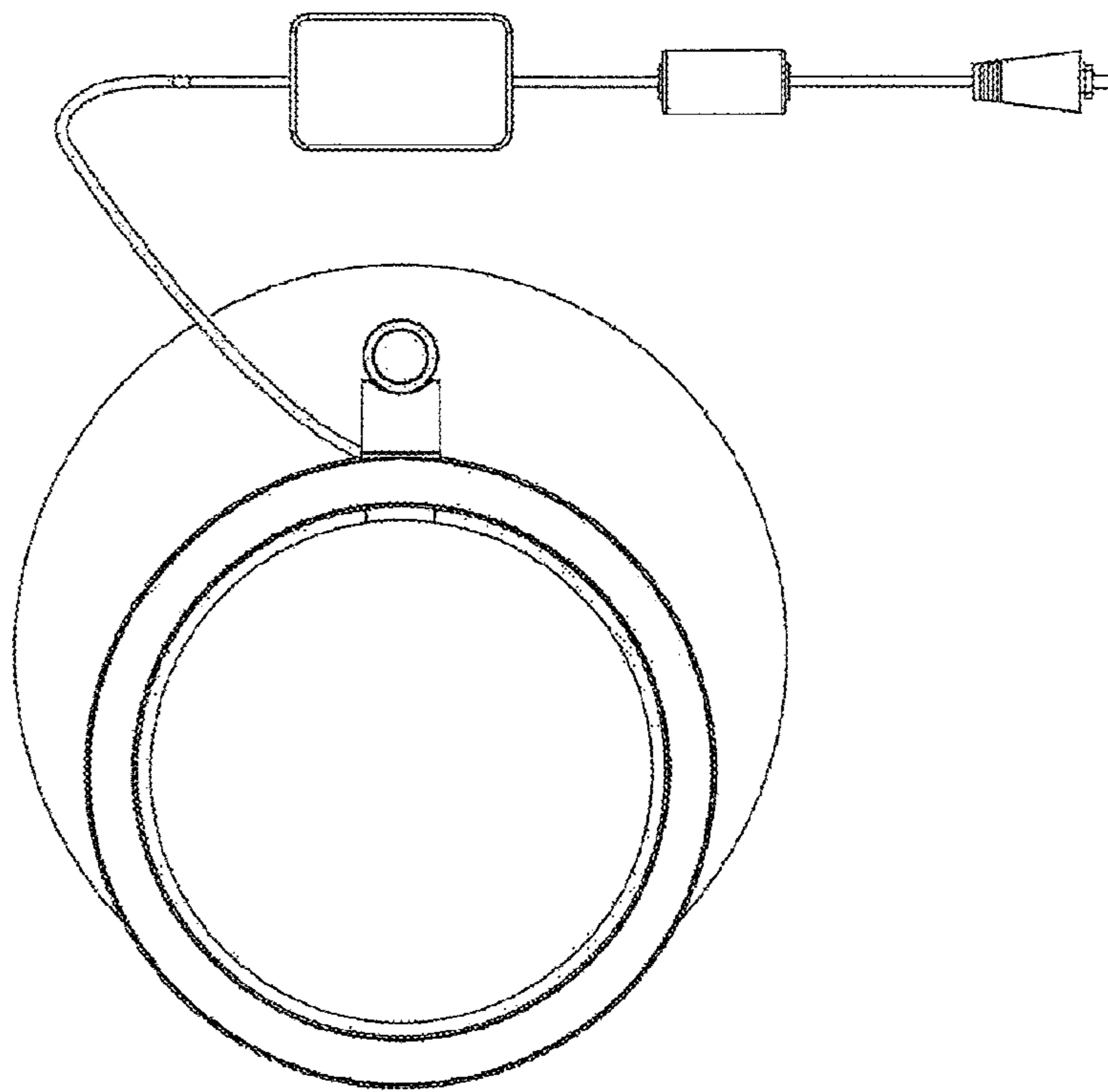


FIG. 7

