



US00D744691S

(12) **United States Design Patent**
Kitts

(10) **Patent No.:** **US D744,691 S**

(45) **Date of Patent:** **** Dec. 1, 2015**

(54) **LAMP**

(71) Applicant: **Hubbardton Forge LLC**, Castleton, VT (US)

(72) Inventor: **David Kitts**, Rutland, VT (US)

(73) Assignee: **Hubbardton Forge LLC**, Castleton, VT (US)

(**) Term: **14 Years**

(21) Appl. No.: **29/511,245**

(22) Filed: **Dec. 9, 2014**

(51) **LOC (10) Cl.** **26-03**

(52) **U.S. Cl.**
USPC **D26/85**

(58) **Field of Classification Search**
USPC D26/72, 85, 87, 89, 92, 118, 120
CPC F21S 8/03; F21S 8/033; F21S 8/036;
F21S 8/037; F21S 8/043; F21S 8/06; F21V
21/02; F21V 33/006; F21W 2131/10; F21W
2131/107; F21W 2131/1005
See application file for complete search history.

(56) **References Cited**

U.S. PATENT DOCUMENTS

4,951,184 A * 8/1990 Makurof F21V 21/02
362/147
D379,549 S * 5/1997 Vargas, Jr. D26/128

D384,433 S * 9/1997 Littman D26/85
D570,524 S * 6/2008 Chandler D26/87
D608,488 S * 1/2010 Miranda D26/86
D626,681 S * 11/2010 Chen D26/85
D646,424 S * 10/2011 Ho D26/85
D662,252 S * 6/2012 Wauters D26/85
D662,253 S * 6/2012 Wauters D26/85
D671,255 S * 11/2012 Sonneman D26/85
D690,871 S * 10/2013 Kitts D26/85
D713,088 S * 9/2014 Kitts D26/85
D724,776 S * 3/2015 Sonneman D26/85

* cited by examiner

Primary Examiner — Clare E Heflin

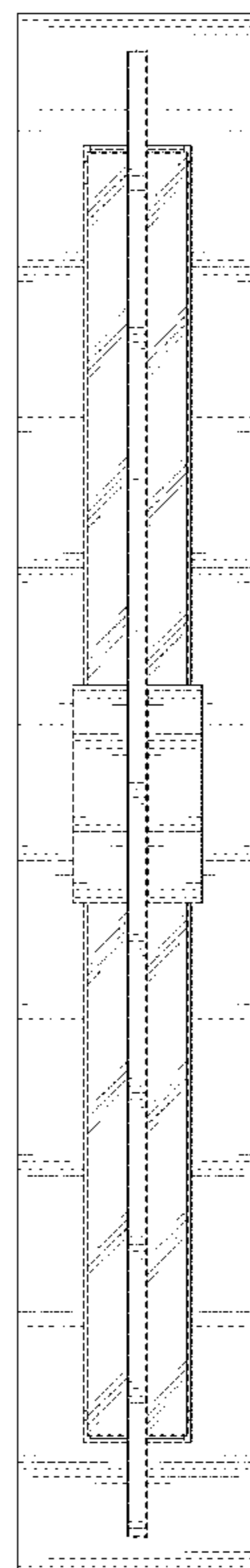
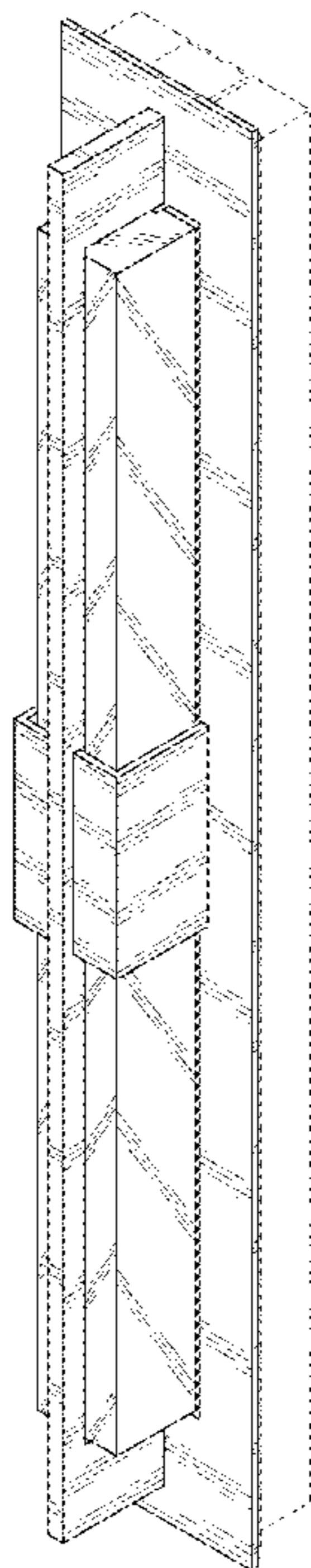
(57) **CLAIM**

The ornamental design for a lamp, as shown and described.

DESCRIPTION

FIG. 1 is a perspective view of the lamp according to the present invention;
FIG. 2 is a front view of the lamp thereof;
FIG. 3 is a back view of the lamp thereof;
FIG. 4 is a right side view of the lamp thereof;
FIG. 5 is a left side view of the lamp thereof;
FIG. 6 is a top view of the lamp thereof; and,
FIG. 7 is a bottom view of the lamp thereof.
The broken lines shown on the drawings depict portions of the lamp that form no part of the claimed design.

1 Claim, 6 Drawing Sheets



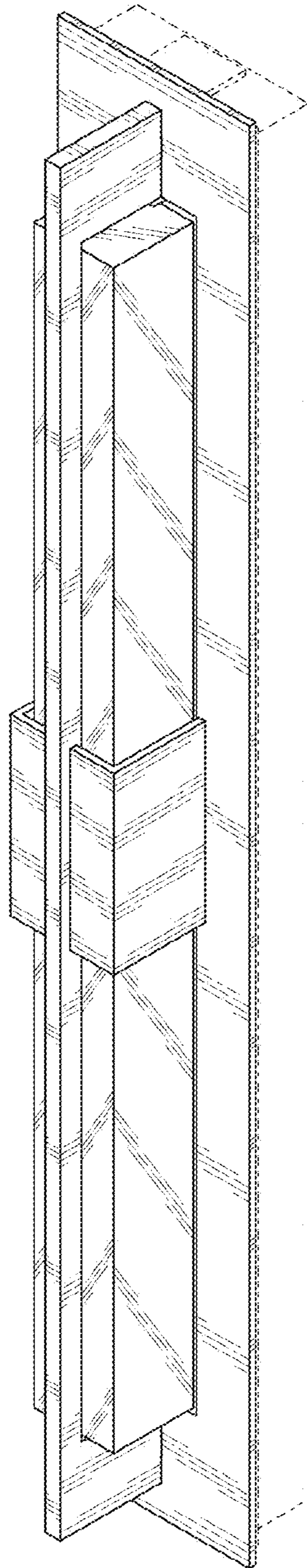


FIG. 1

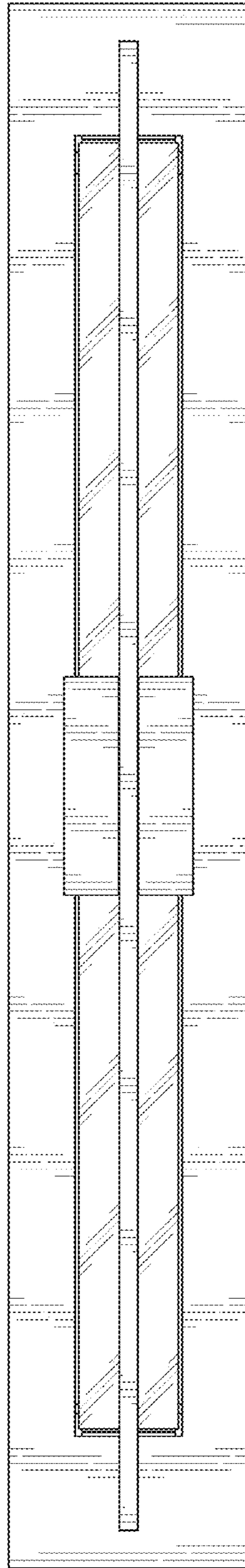


FIG. 2

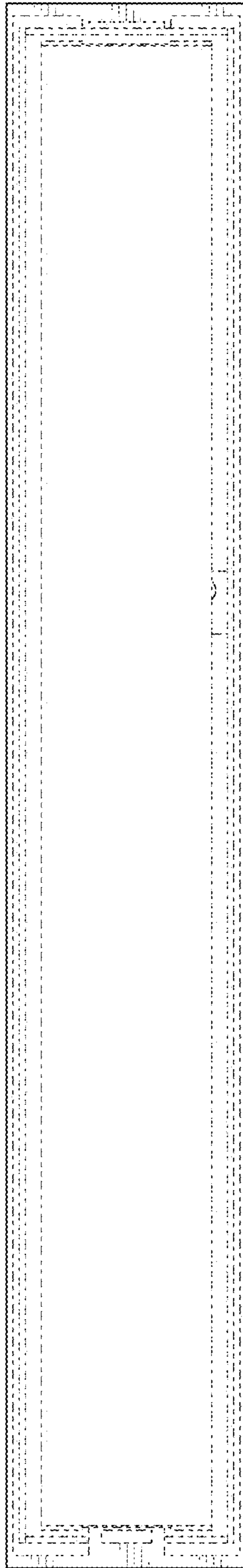


FIG. 3

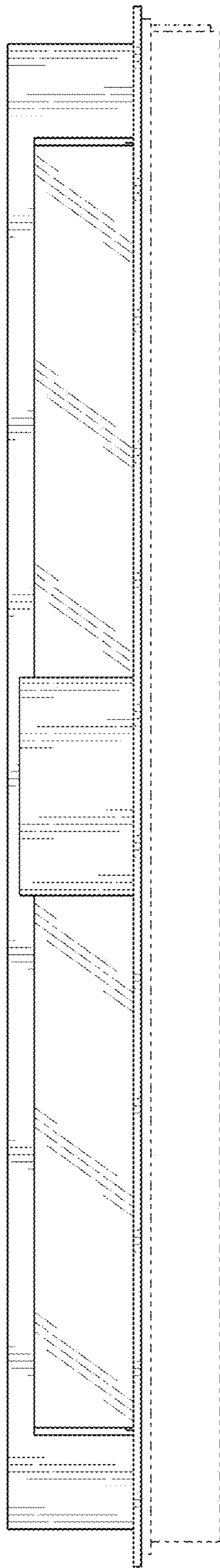


FIG. 4

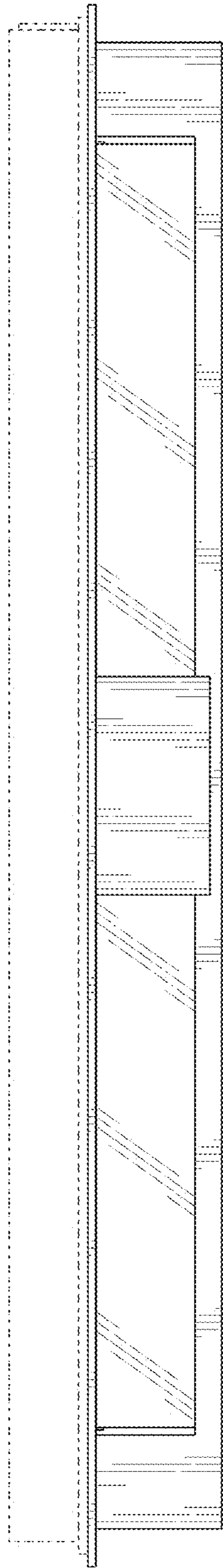


FIG. 5

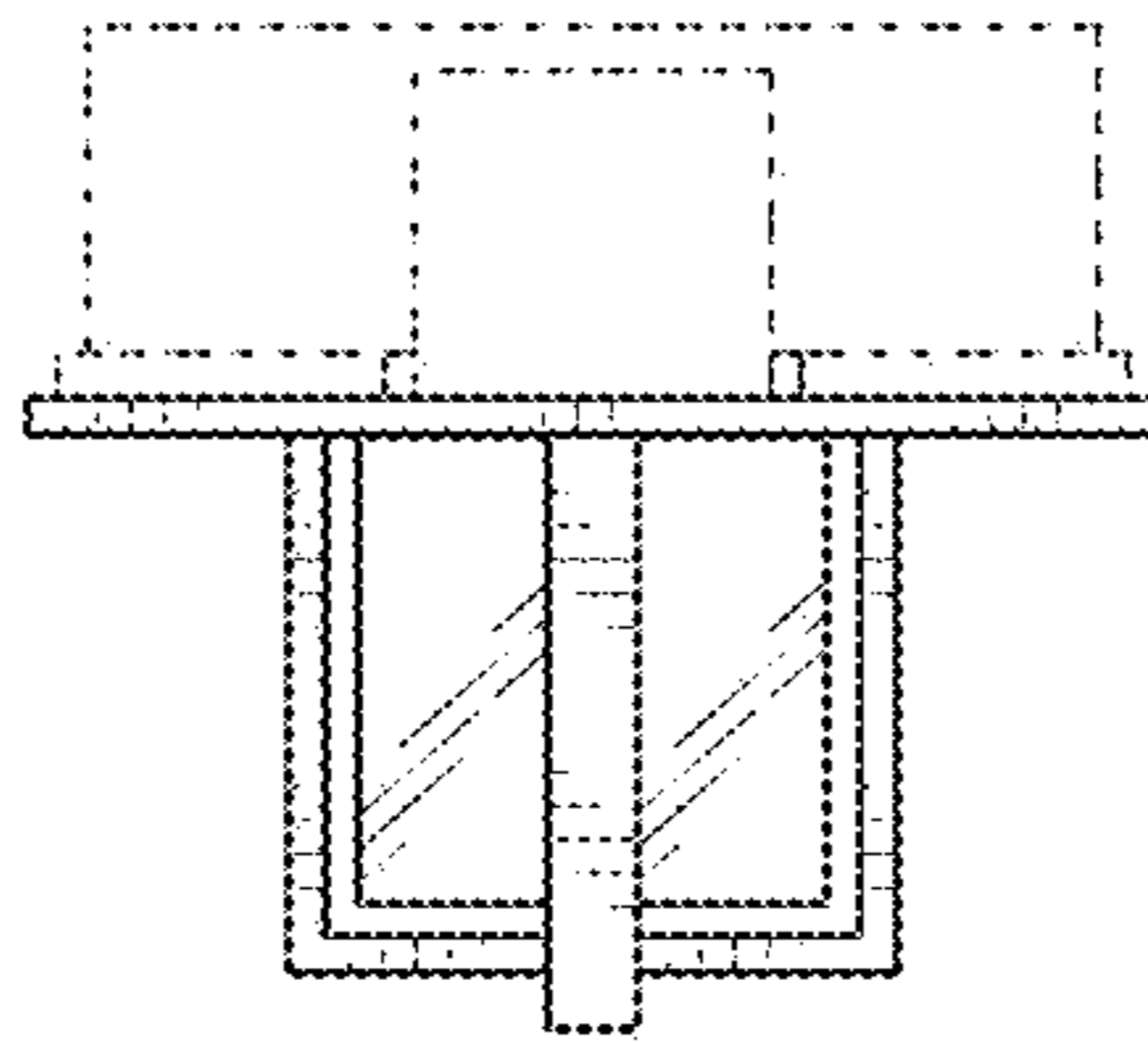


FIG. 6

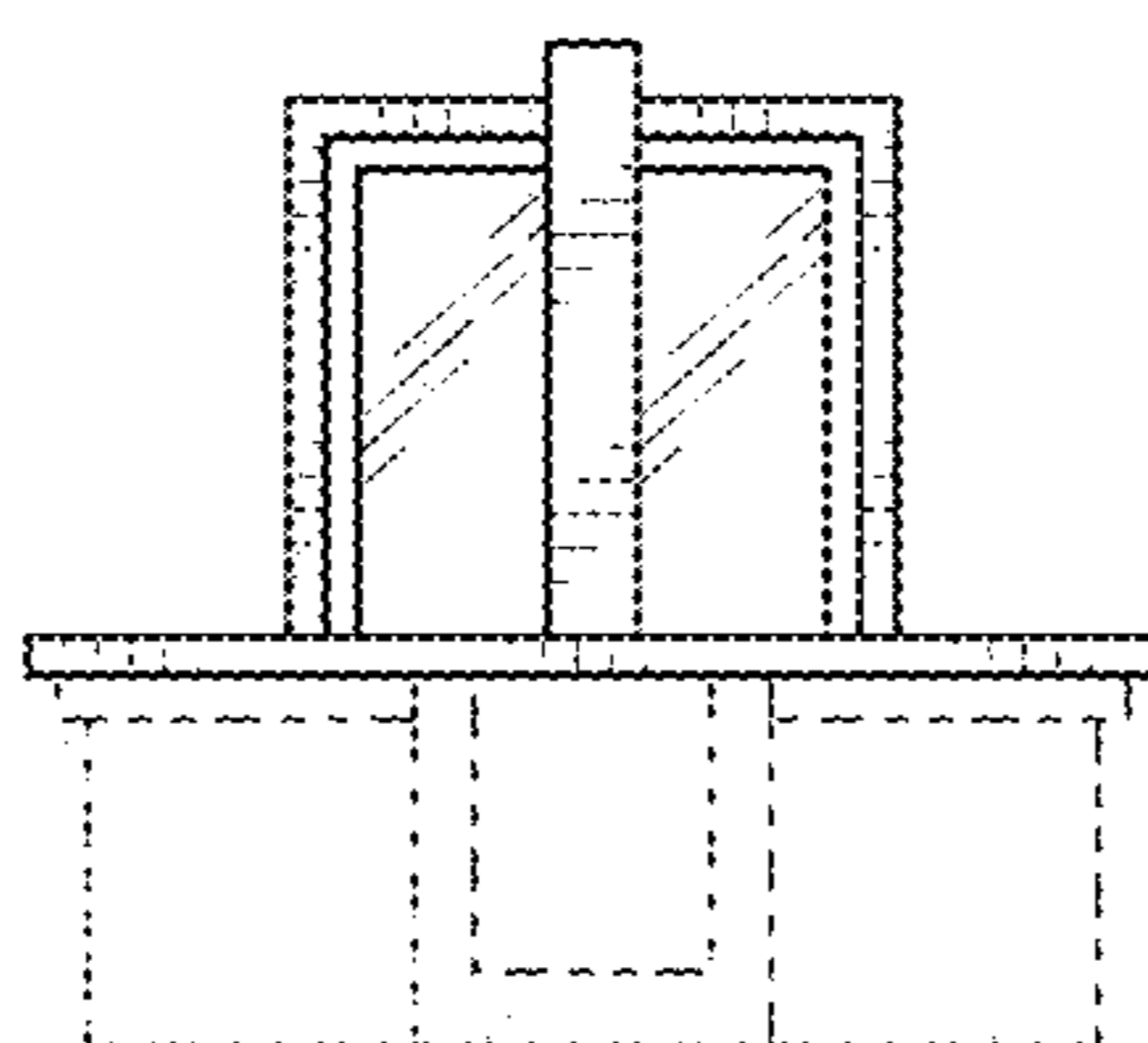


FIG. 7