



US00D744690S

(12) **United States Design Patent**
Boyer et al.

(10) **Patent No.:** **US D744,690 S**

(45) **Date of Patent:** **** *Dec. 1, 2015**

(54) **LIGHTING FIXTURE**

(71) Applicant: **LSI Industries, Inc.**, Cincinnati, OH (US)

(72) Inventors: **John D. Boyer**, Lebanon, OH (US); **David Lonneman**, Pleasant Plain, OH (US); **Daniel Hutchens**, Cold Springs, KY (US); **Eric Jon Mooar**, Liberty Township, OH (US); **Travis Montgomery Wright**, Cincinnati, OH (US); **Andrew J. Bankemper**, California, KY (US)

(73) Assignee: **LSI Industries, Inc.**, Cincinnati, OH (US)

(*) Notice: This patent is subject to a terminal disclaimer.

(**) Term: **14 Years**

(21) Appl. No.: **29/468,275**

(22) Filed: **Sep. 27, 2013**

(51) **LOC (10) Cl.** **26-03**

(52) **U.S. Cl.**
USPC **D26/76**

(58) **Field of Classification Search**
USPC D26/58, 72, 75-79, 80; 362/133, 147, 362/217.01-219, 221-223, 217.02-217.08, 362/217.1, 249.02
See application file for complete search history.

(56) **References Cited**

U.S. PATENT DOCUMENTS

D120,548 S *	5/1940	Guth	D26/77
D122,145 S *	8/1940	MacCarthy	D26/78
D122,887 S *	10/1940	Beals	D26/78
D123,067 S *	10/1940	Rubinstein	D26/77
D128,961 S *	8/1941	Hrabak	D26/77
D129,726 S *	9/1941	Scribner	D26/78
D139,669 S *	12/1944	Lippincott	D26/76
D142,126 S *	8/1945	Sabatini	D26/78

D154,058 S *	6/1949	Nitardy	D26/76
D240,853 S *	8/1976	Aronson	D26/77
D257,894 S *	1/1981	DiBernardo	D26/75
D348,533 S *	7/1994	Herst et al.	D26/85
D447,266 S *	8/2001	Verfuerth	D26/76
D463,059 S *	9/2002	Verfuerth	D26/78
7,793,447 B2 *	9/2010	Fang et al.	40/544
D632,418 S *	2/2011	Bisberg et al.	D26/76
8,256,927 B2	9/2012	Hu et al.		
D703,858 S *	4/2014	Miller	D26/76
D711,037 S *	8/2014	Lehman et al.	D26/77
2010/0128480 A1 *	5/2010	Watanabe et al.	362/249.02

OTHER PUBLICATIONS

I-Beam LED Brochure, Lithonia Lighting, Acuity Brands Lighting, Inc., 12 pages (2013).

I-Beam LED High Bay, Lithonia Lighting, Acuity Brands Lighting, Inc., 5 pages (2013).

* cited by examiner

Primary Examiner — Clare E Heflin

(74) *Attorney, Agent, or Firm* — McDermott Will & Emery LLP

(57) **CLAIM**

The ornamental design for a lighting fixture, as shown and described.

DESCRIPTION

FIG. 1 is a top-side perspective view of a first embodiment of the design of the present disclosure;
FIG. 2 is a bottom-side perspective view of the design of FIG. 1;
FIG. 3 is a top view of the design of FIG. 1;
FIG. 4 is a bottom view of the design of FIG. 1;
FIG. 5 is a left-side view of the design of FIG. 1, the right-side view being the same;
FIG. 6 is a front-side view of the design of FIG. 1, the rear view being the same;
FIG. 7 is a top-side perspective view of a second embodiment of the design of the present disclosure;
FIG. 8 is a bottom-side perspective view of the design of FIG. 7;
FIG. 9 is a top view of the design of FIG. 7;

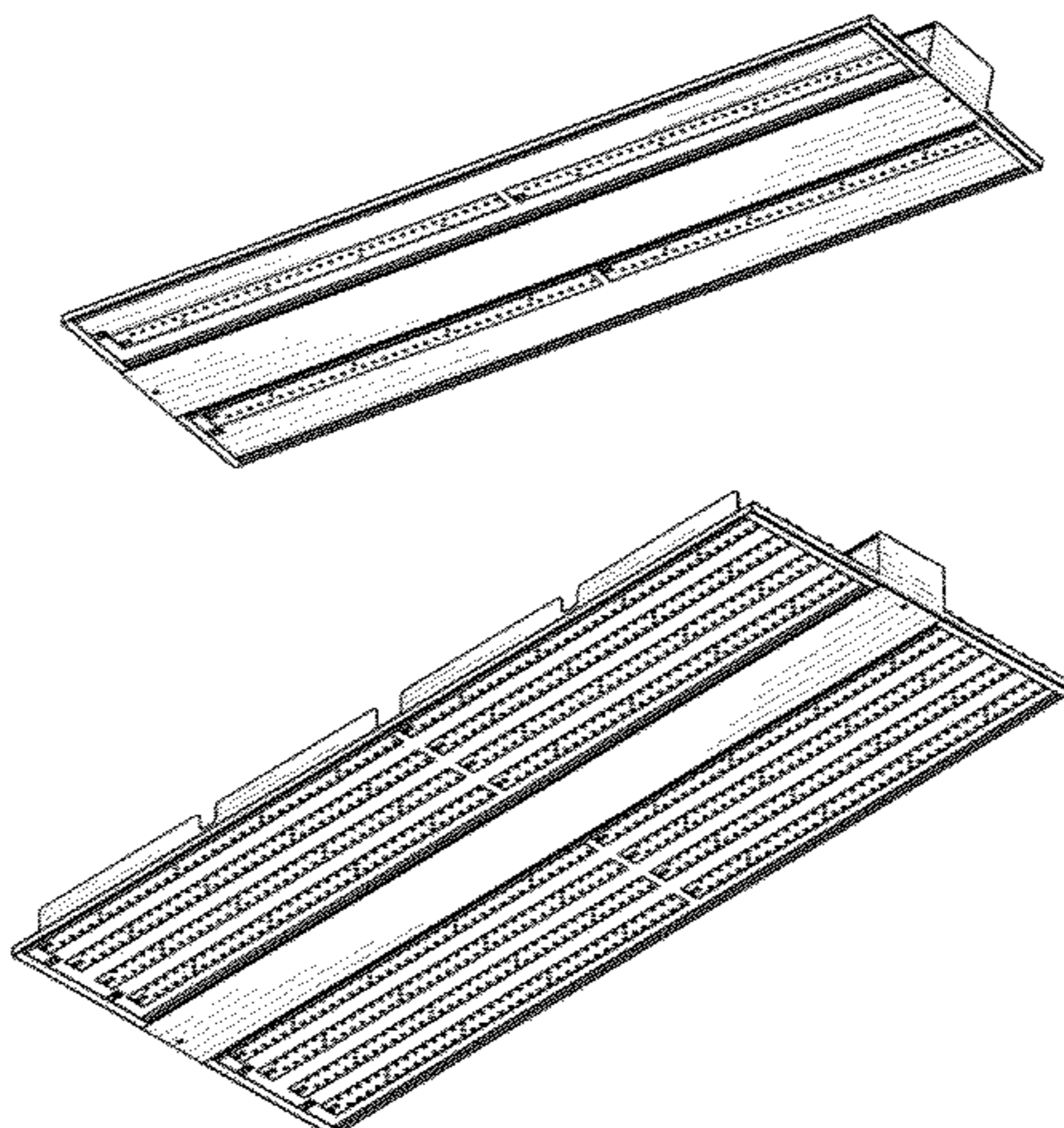


FIG. **10** is a bottom view of the design of FIG. **7**;
FIG. **11** is a left-side view of the design of FIG. **7**, the right-side view being the same;
FIG. **12** is a front-side view of the design of FIG. **7**, the rear view being the same;
FIG. **13** is a top-side perspective view of a third embodiment of the design of the present disclosure;
FIG. **14** is a bottom-side perspective view of the design of FIG. **13**;
FIG. **15** is a top view of the design of FIG. **13**;
FIG. **16** is a bottom view of the design of FIG. **13**;
FIG. **17** is a left-side view of the design of FIG. **13**, the right-side view being the same;
FIG. **18** is a front-side view of the design of FIG. **13**, the rear view being the same;

FIG. **19** is a top-side perspective view of a fourth embodiment of the design of the present disclosure;
FIG. **20** is a bottom-side perspective view of the design of FIG. **19**;
FIG. **21** is a top view of the design of FIG. **19**;
FIG. **22** is a bottom view of the design of FIG. **19**;
FIG. **23** is a left-side view of the design of FIG. **19**, the right-side view being the same; and,
FIG. **24** is a front-side view of the design of FIG. **19**, the rear view being the same.
Any surface shading presented in the drawings is provided to highlight the contour of the invention and is not intended to be illustrative of texture or gloss.

1 Claim, 24 Drawing Sheets

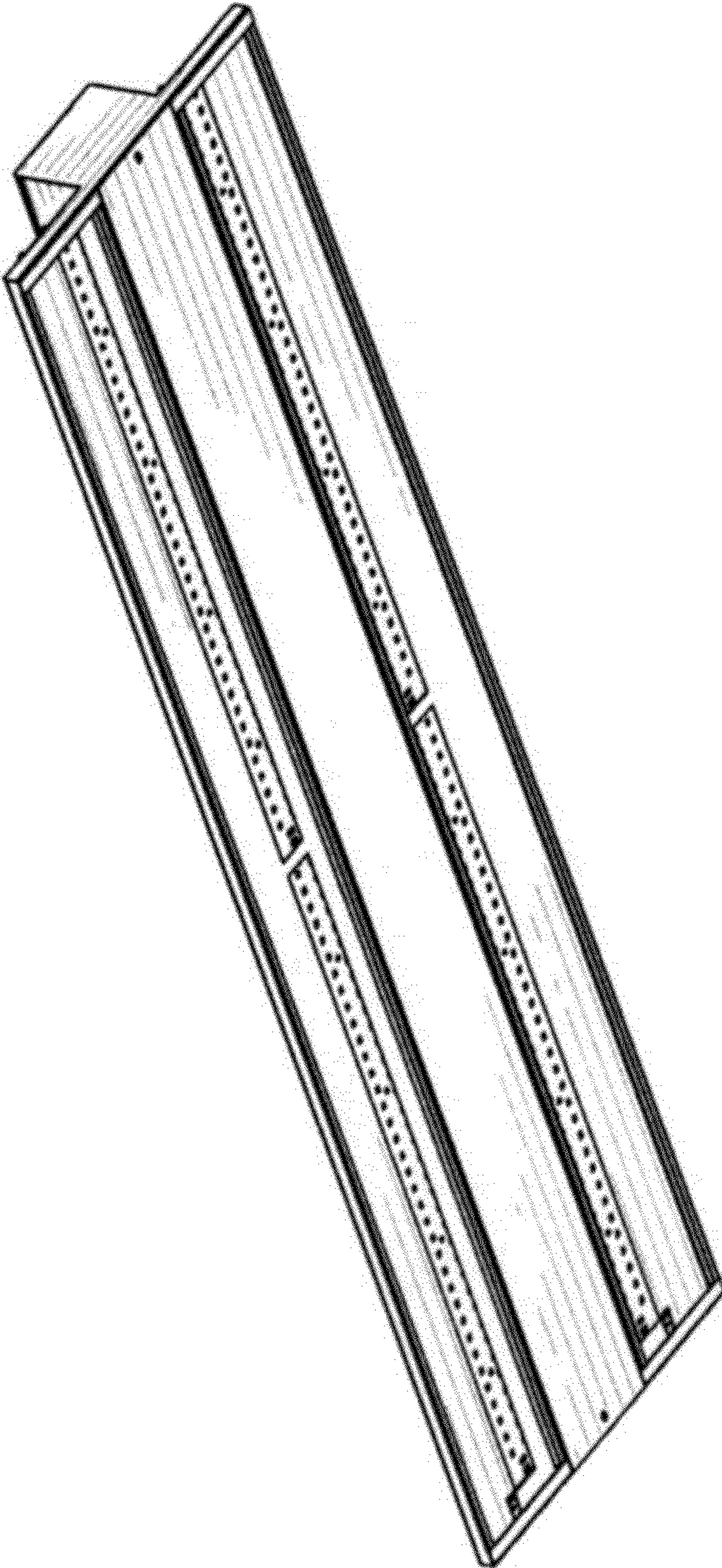


FIG. 1

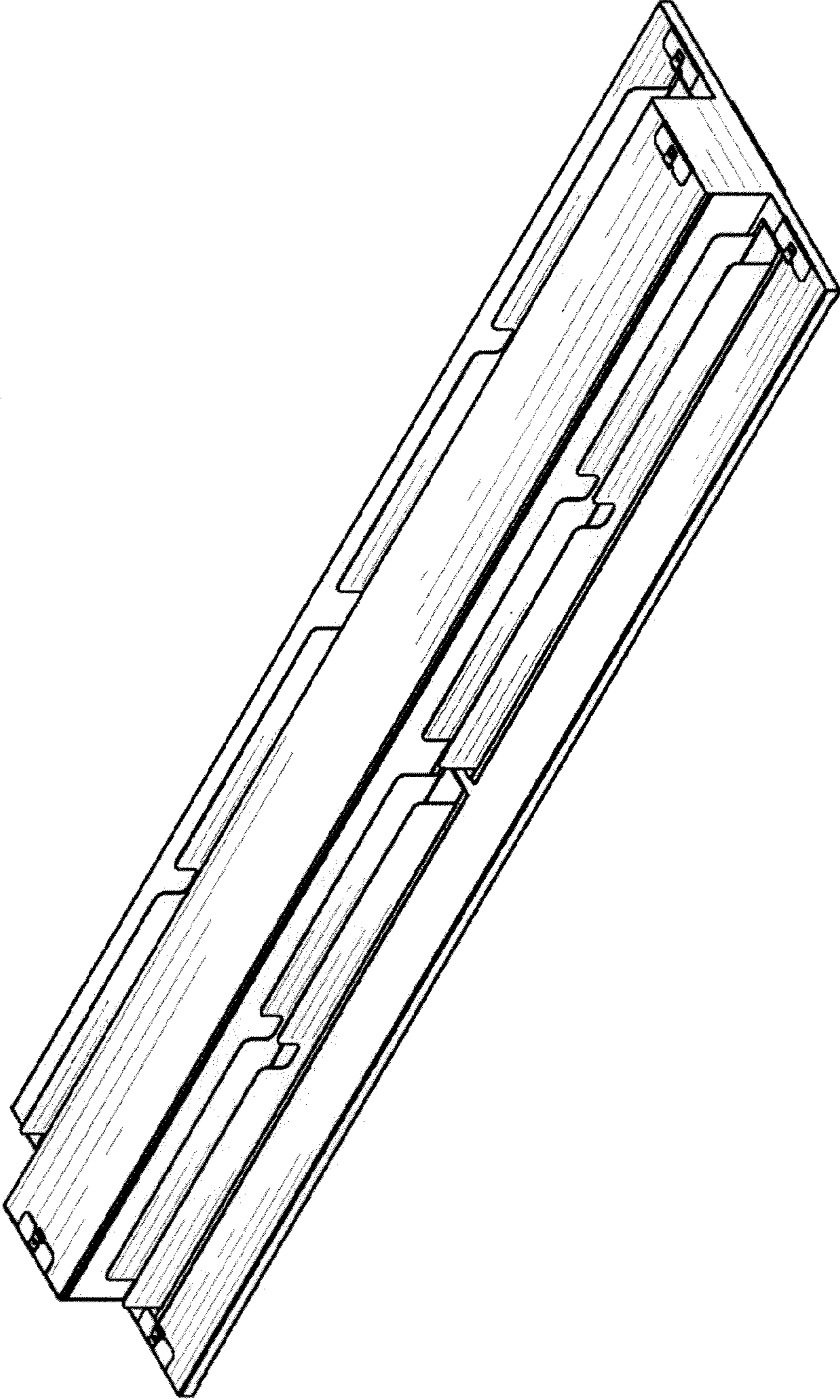


FIG. 2

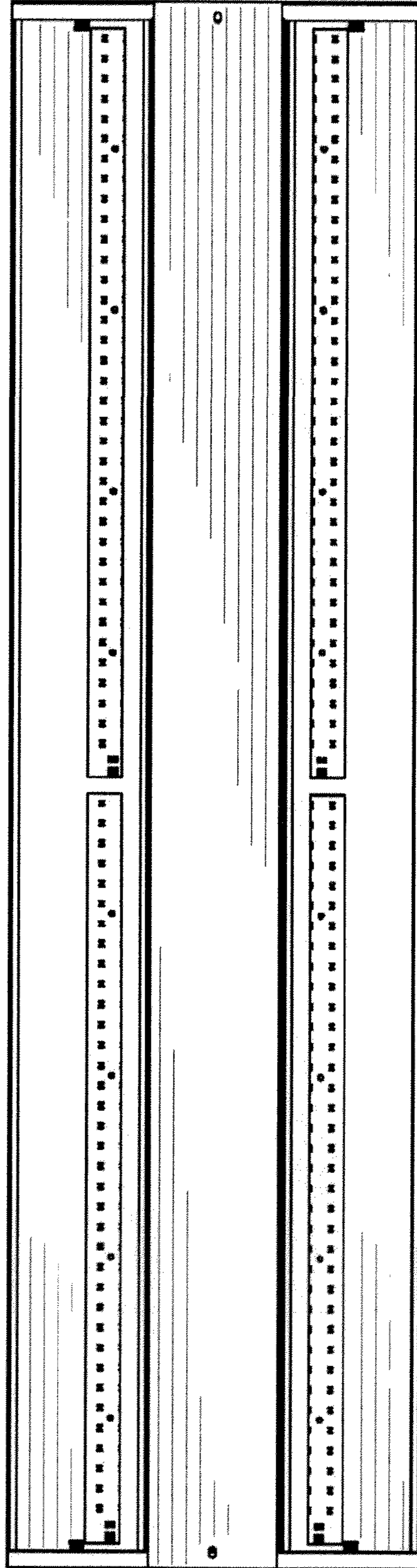


FIG. 3

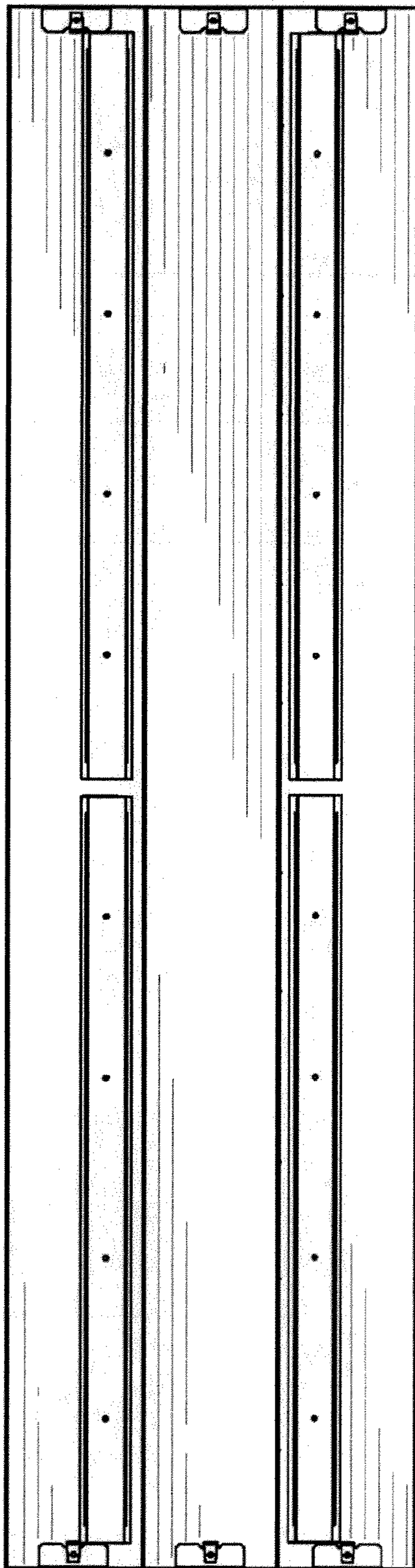


FIG. 4

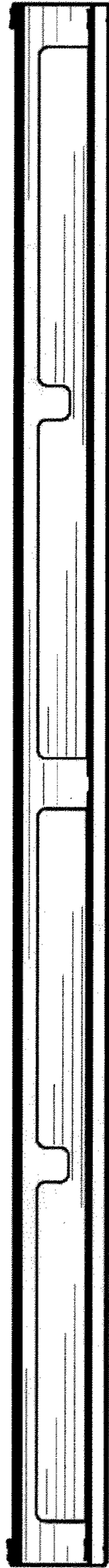


FIG. 5

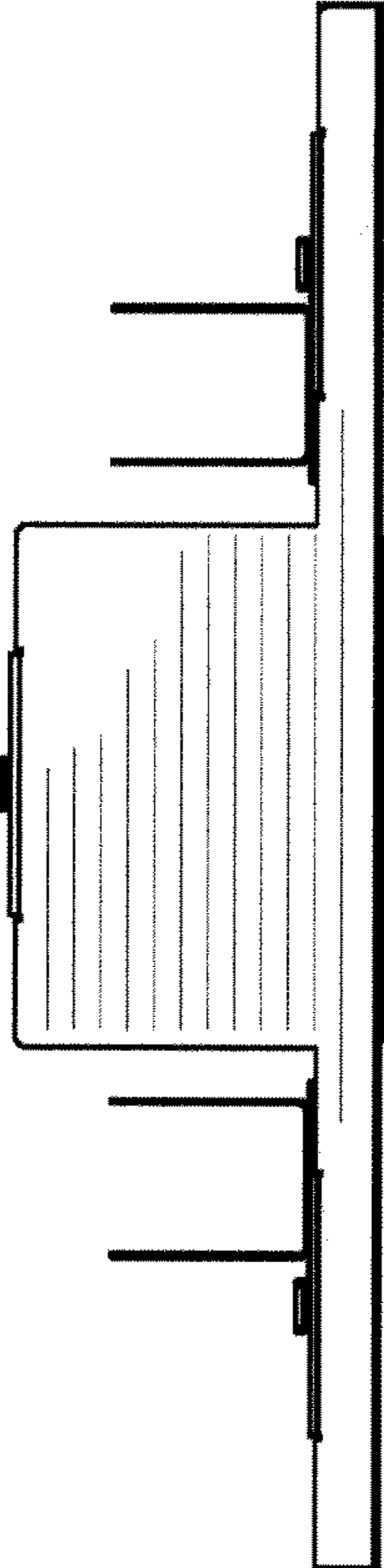


FIG. 6

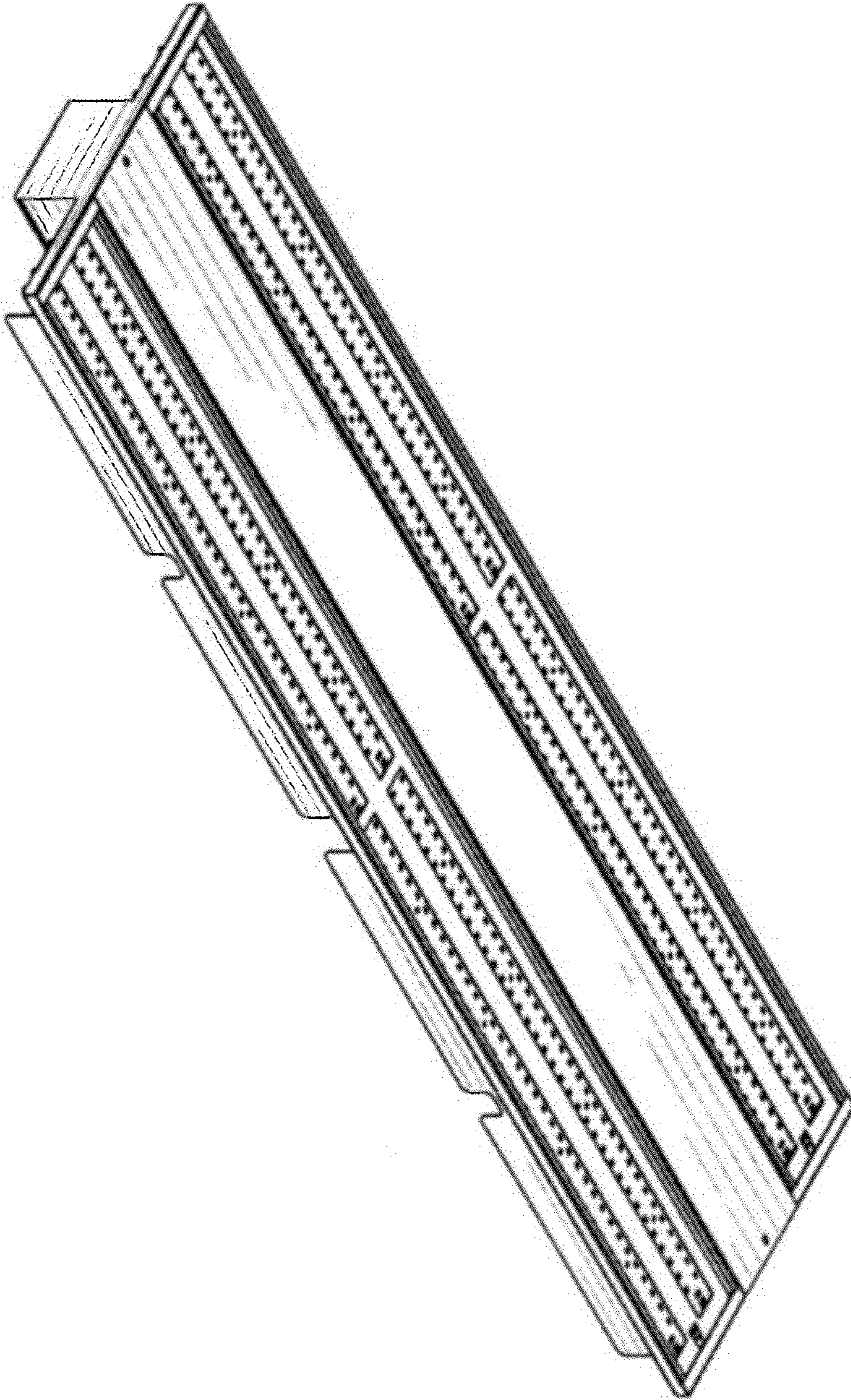


FIG. 7

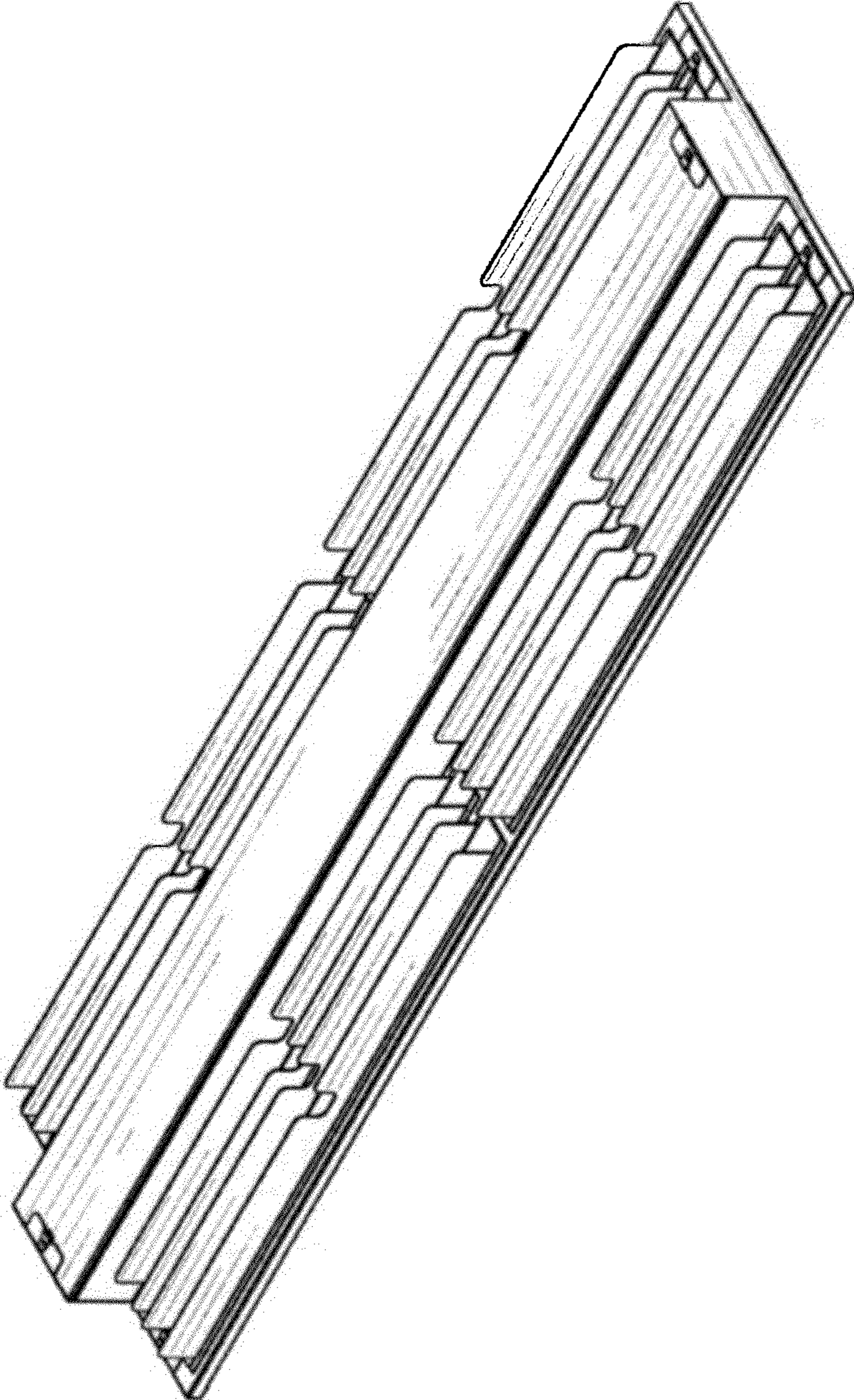


FIG. 8

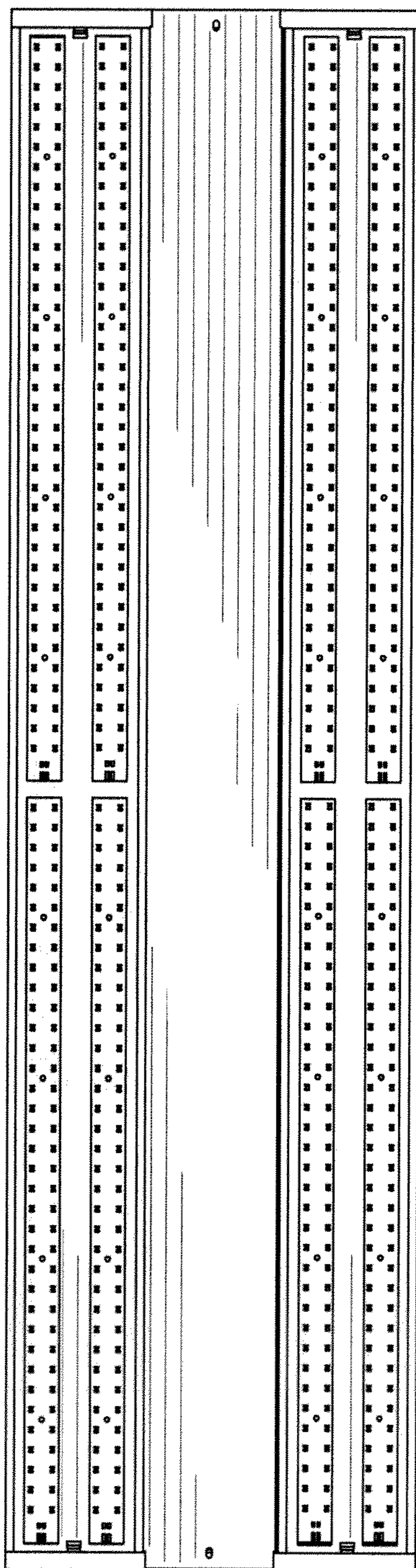


FIG. 9

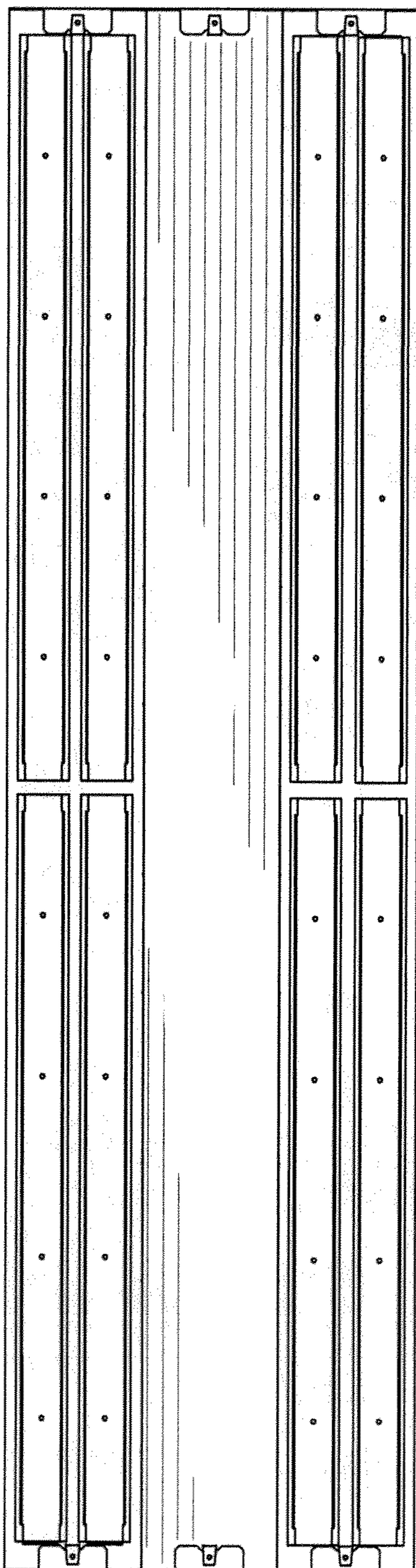


FIG. 10

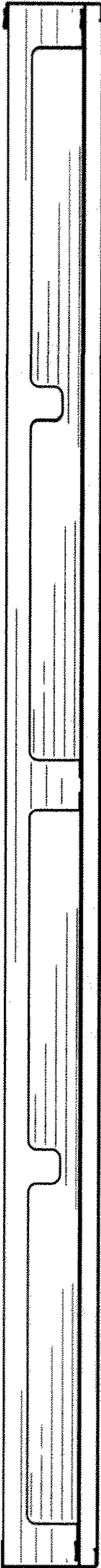


FIG. 11

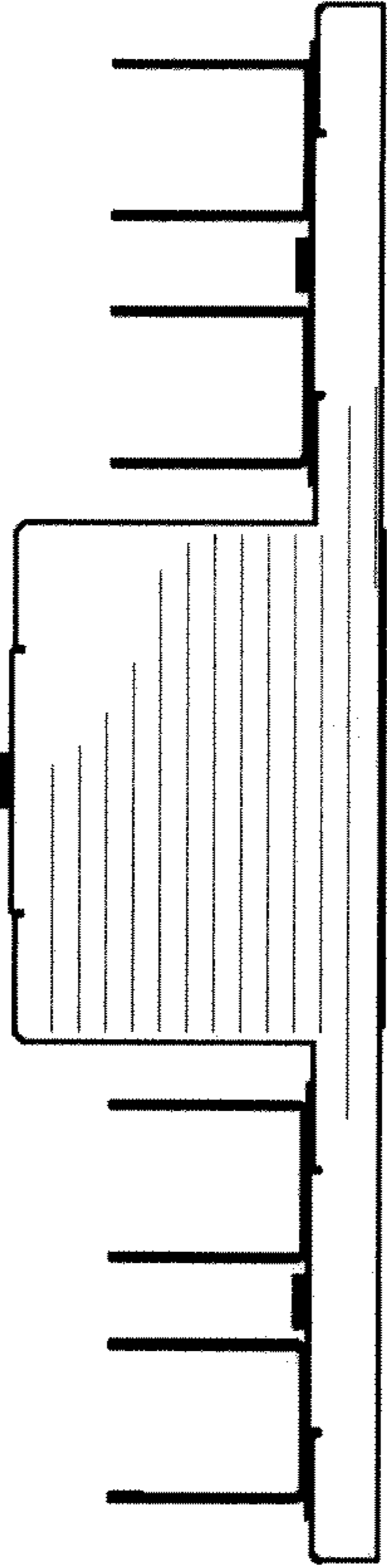


FIG. 12

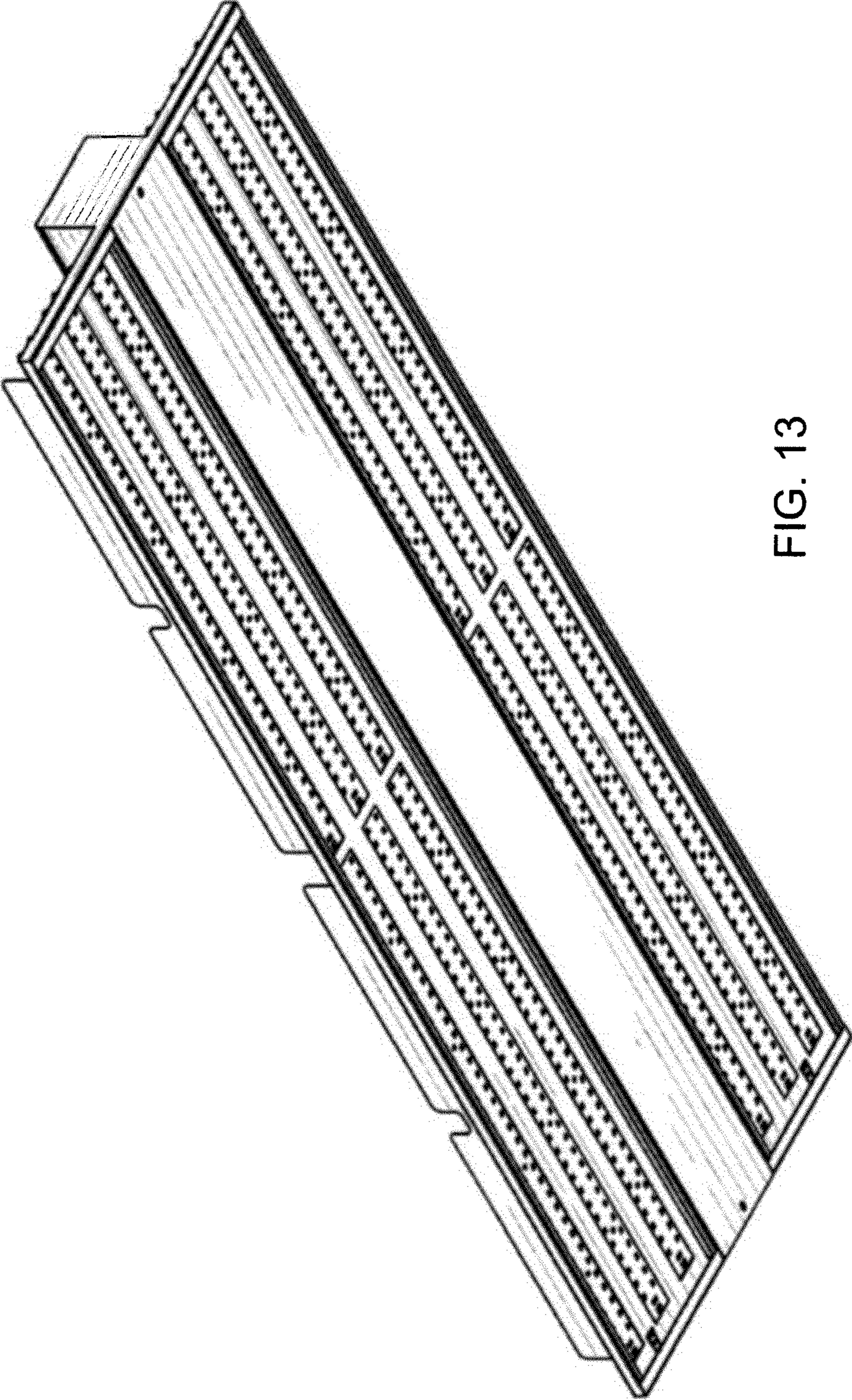


FIG. 13

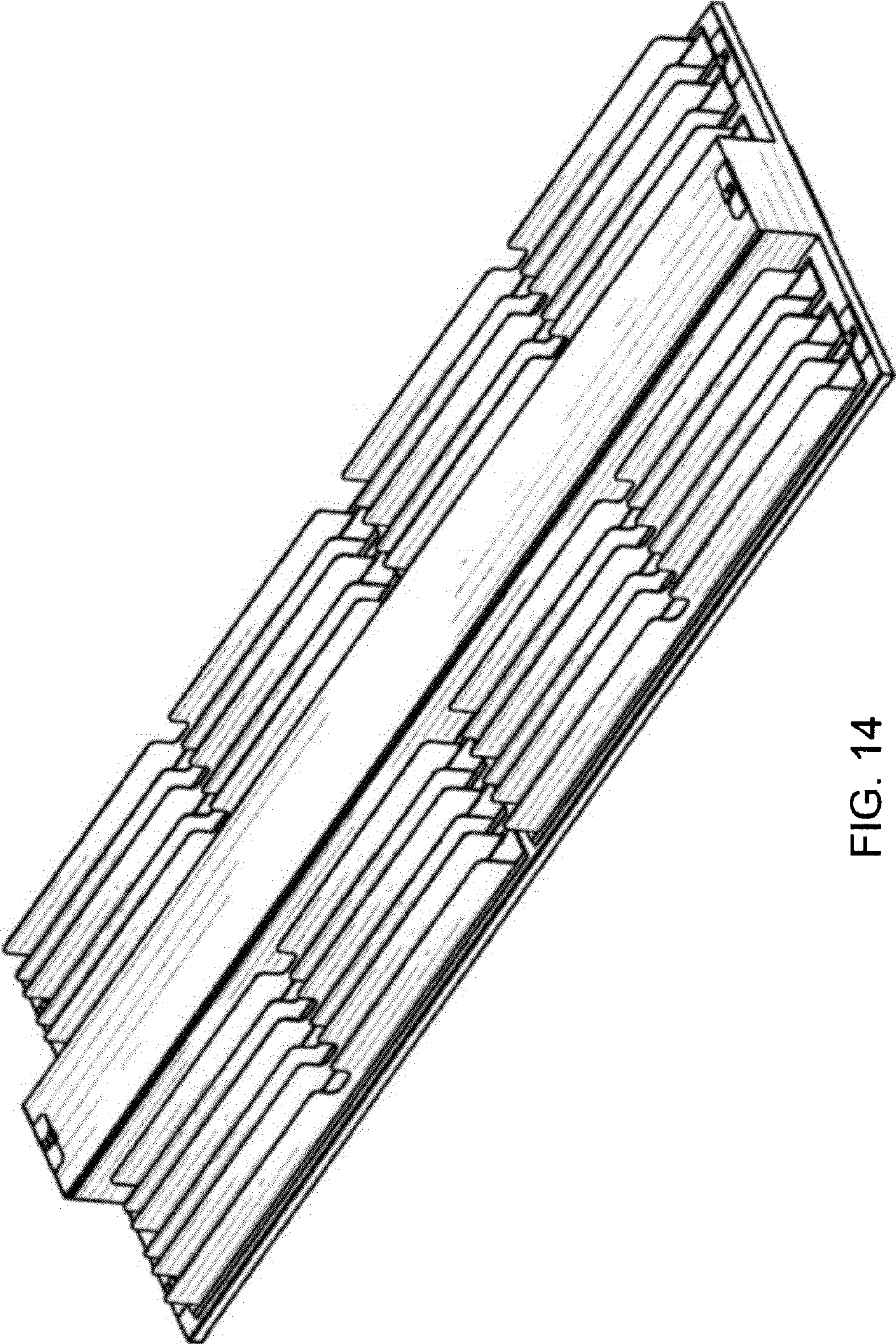


FIG. 14

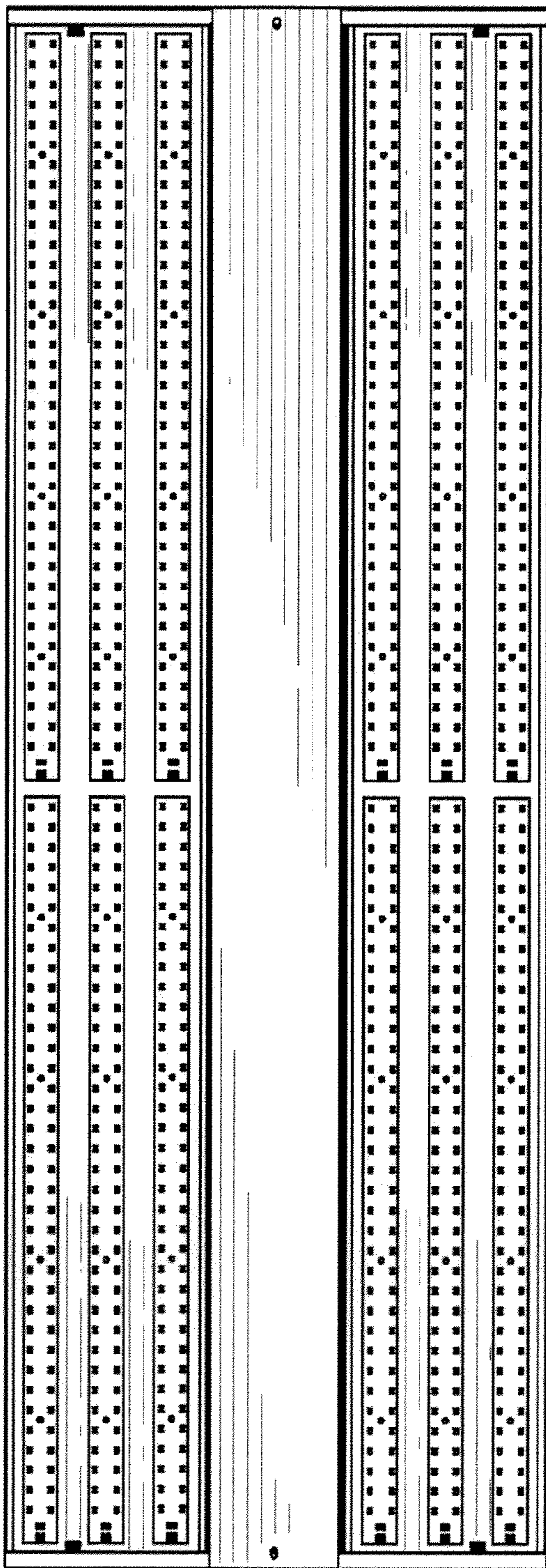


FIG. 15

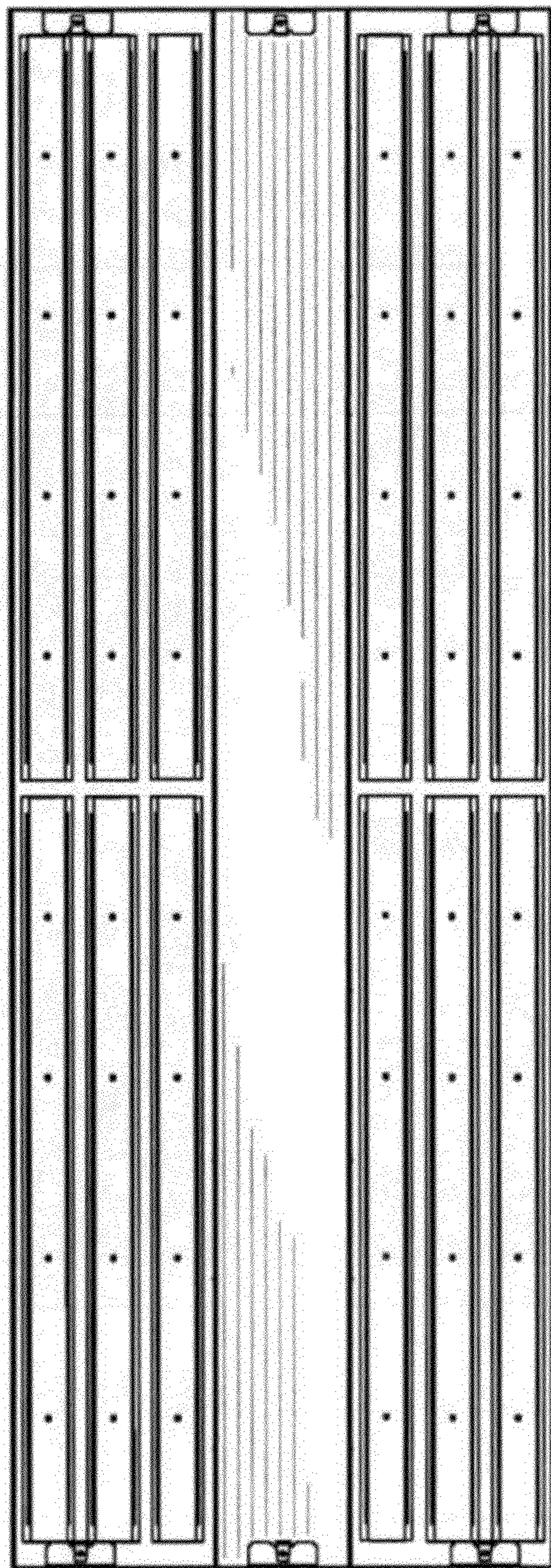


FIG. 16

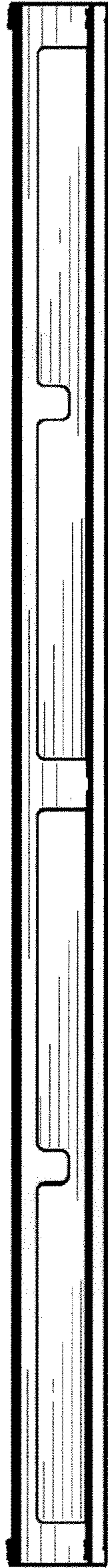


FIG. 17

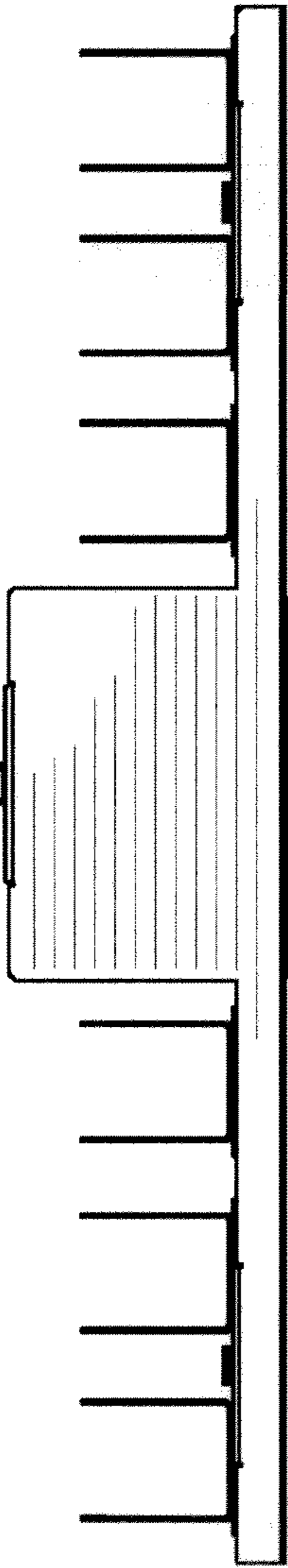


FIG. 18

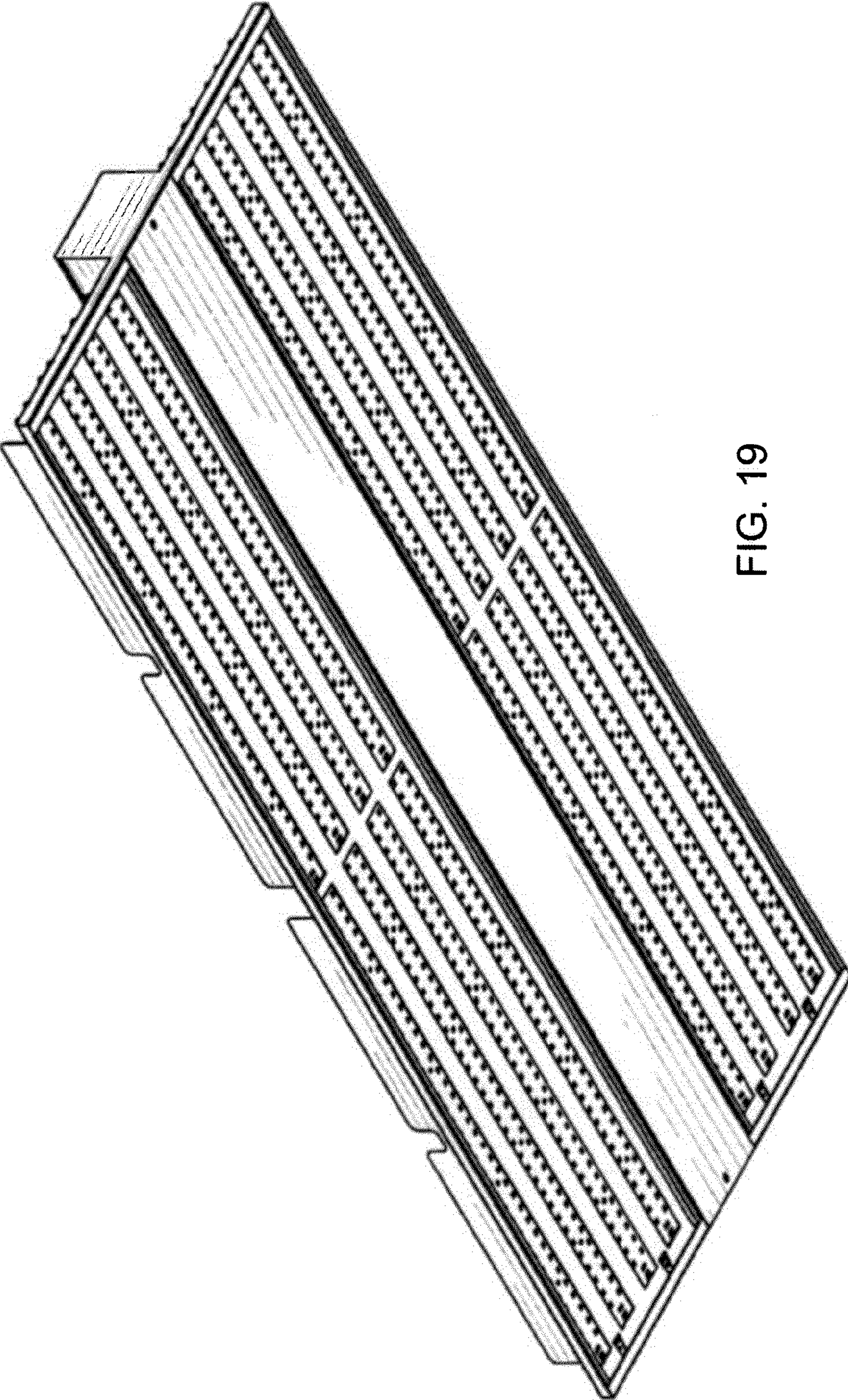


FIG. 19

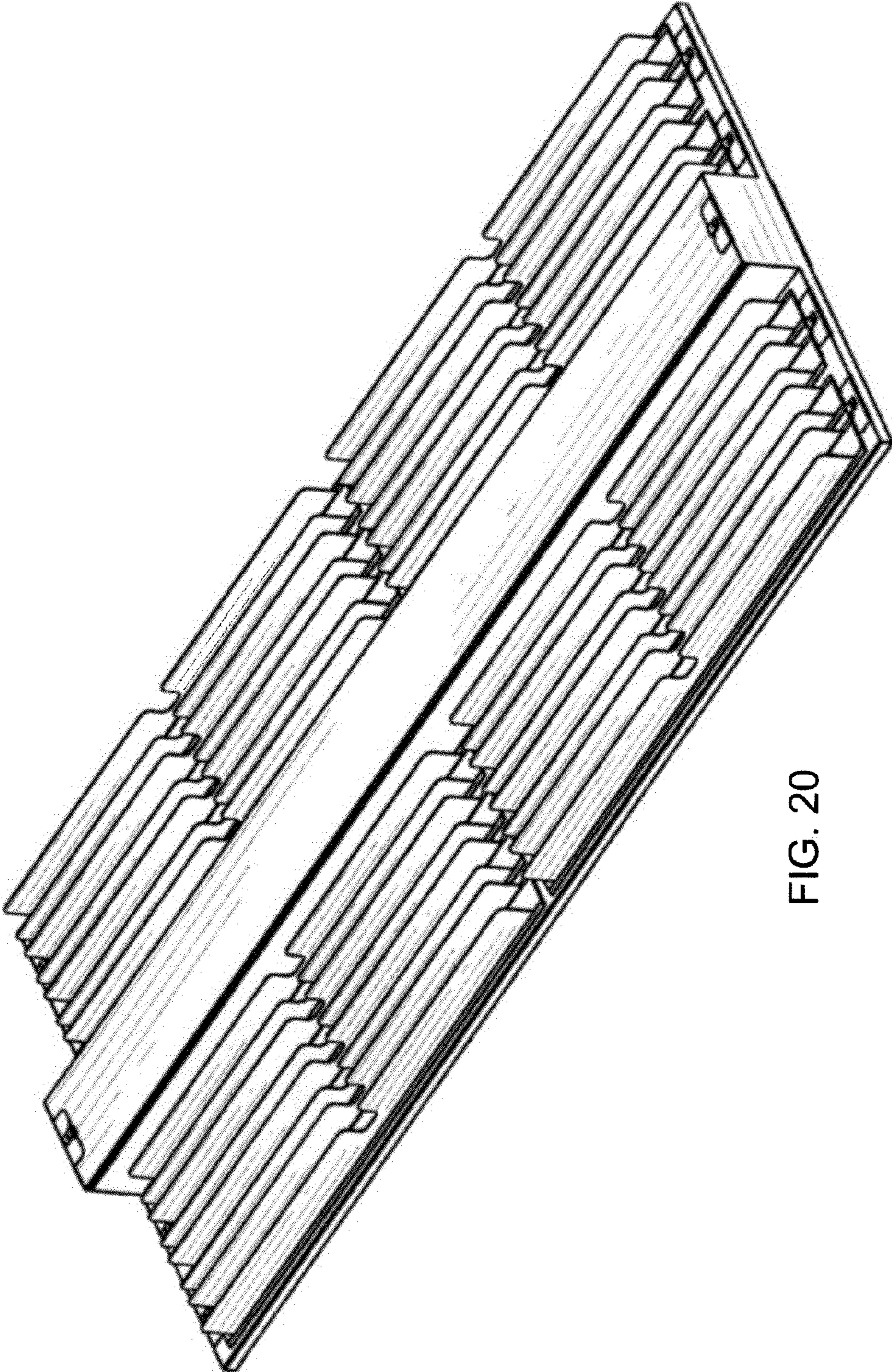


FIG. 20

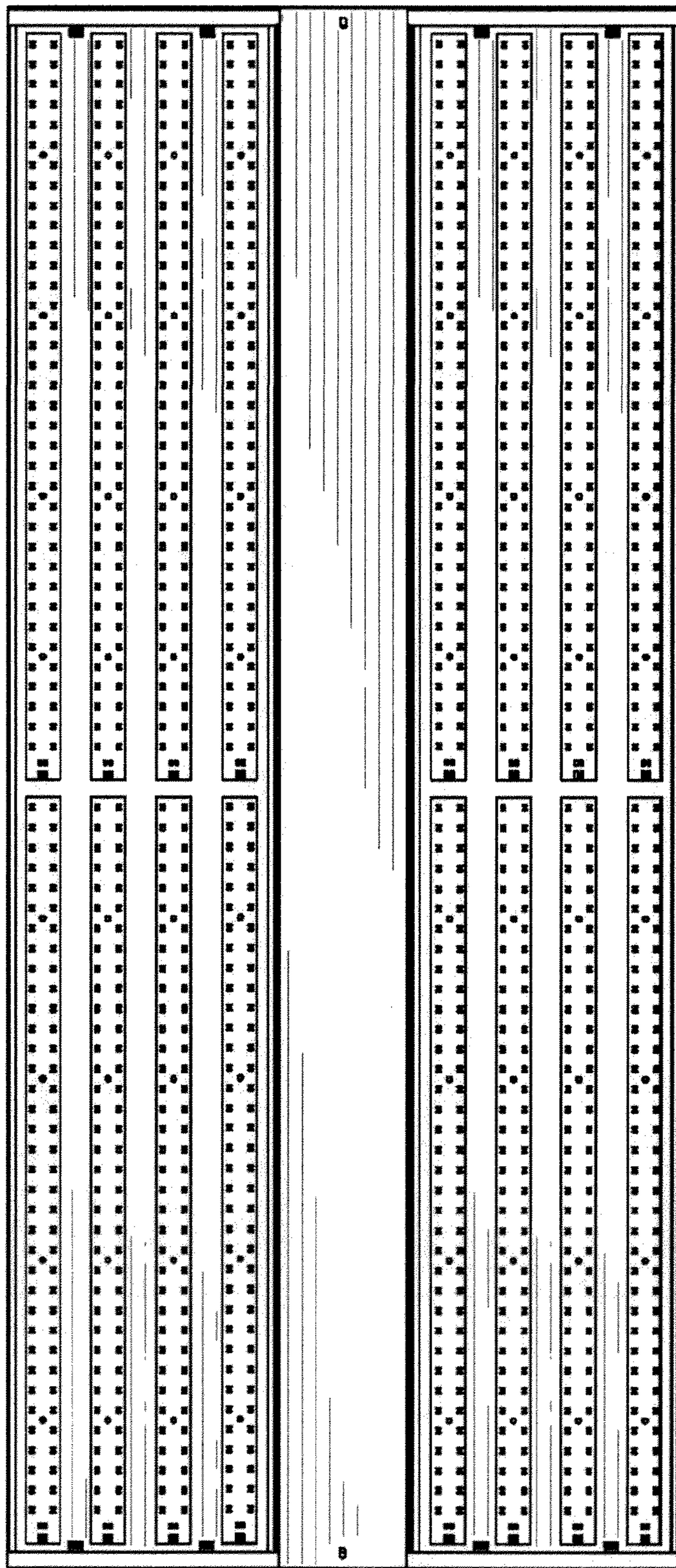


FIG. 21

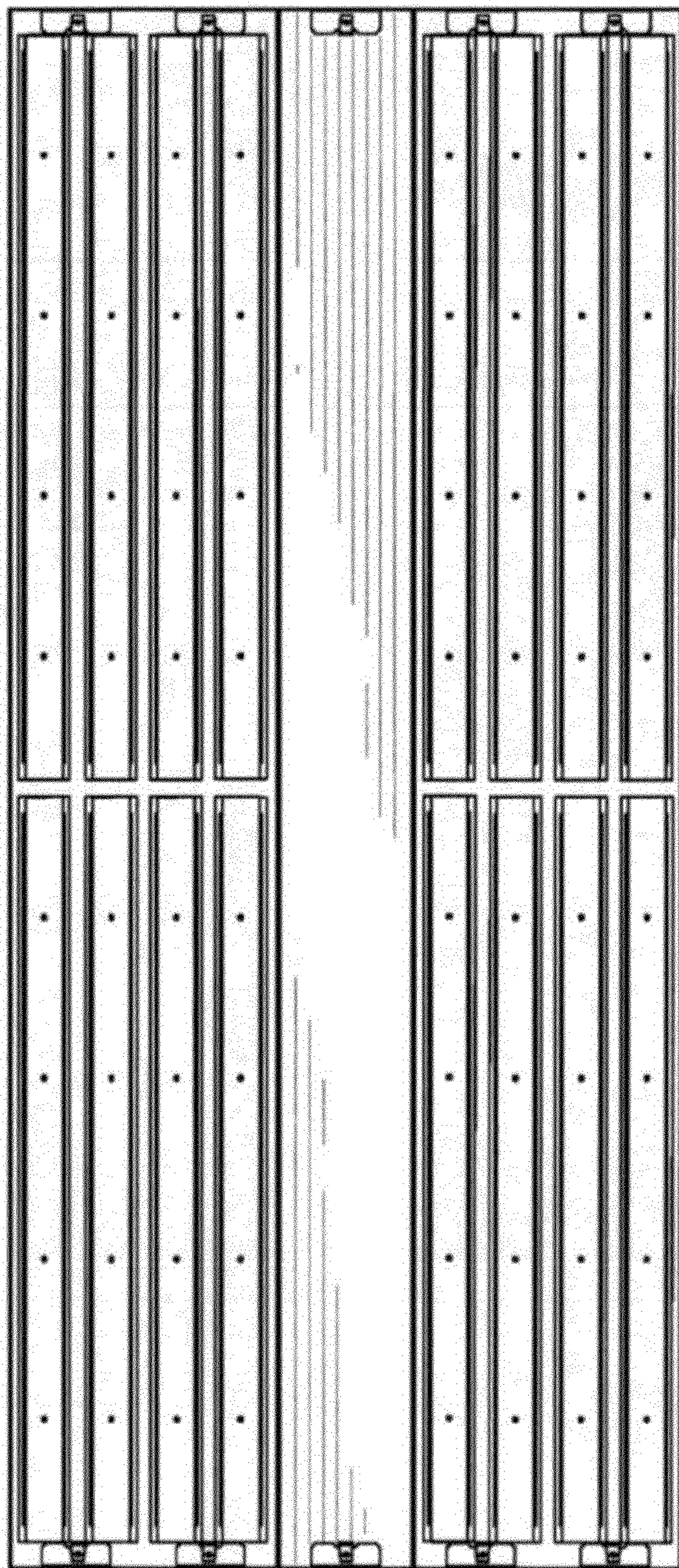


FIG. 22

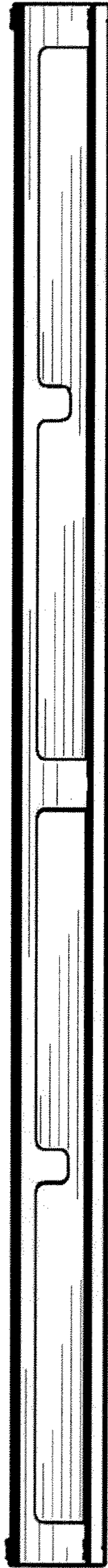


FIG. 23

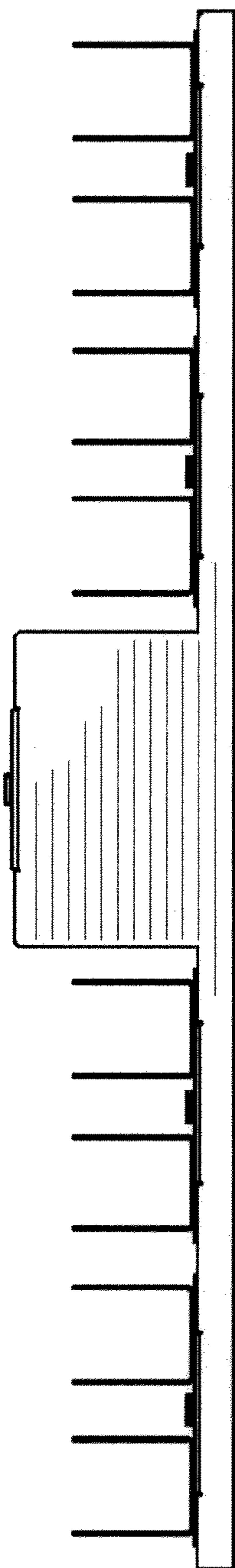


FIG. 24