



US00D744688S

(12) **United States Design Patent**
Lorincz et al.

(10) **Patent No.:** **US D744,688 S**
(45) **Date of Patent:** **** Dec. 1, 2015**

(54) **OUTDOOR LUMINAIRE**
(71) Applicant: **General Electric Company**,
Schenectady, NY (US)
(72) Inventors: **Daniel Lorincz**, Budapest (HU); **Anna Inczedy**, Budapest (HU); **Norbert Kovacs**, Budapest (HU); **Andras Sinka**, Budapest (HU)
(73) Assignee: **GENERAL ELECTRIC COMPANY**,
Shelton, CT (US)

D689,233	S	*	9/2013	Boissevain et al.	D26/71
D715,984	S	*	10/2014	Durdle et al.	D26/71
2011/0060701	A1	*	3/2011	Verfuether et al.	705/500
2011/0084629	A1	*	4/2011	Pini	315/312
2011/0235343	A1	*	9/2011	Arai	362/373
2011/0305019	A1	*	12/2011	Lee	362/247
2012/0008329	A1	*	1/2012	Wang	362/372
2013/0135874	A1	*	5/2013	Hofmann et al.	362/294
2013/0142372	A1	*	6/2013	Harwood	381/334
2013/0250584	A1	*	9/2013	Wang et al.	362/362
2014/0104859	A1	*	4/2014	Araman	362/373

(**) Term: **14 Years**

* cited by examiner

(21) Appl. No.: **29/499,514**

Primary Examiner — Clare E Heflin

(22) Filed: **Aug. 15, 2014**

(74) Attorney, Agent, or Firm — GE Global Patent Operation; Peter T. DiMauro

(51) **LOC (10) Cl.** **26-05**

(52) **U.S. Cl.**
USPC **D26/71**

(57) **CLAIM**

The ornamental design for an outdoor luminaire, as shown and described.

(58) **Field of Classification Search**

USPC D26/69, 70, 71, 72, 85, 92, 118;
362/431, 432

CPC F21V 15/01; F21V 17/107; F21V 19/02;
F21S 8/033; F21S 8/043; F21S 8/085; F21S
8/086; F21S 8/088; F21W 2131/103; F21W
2131/107

See application file for complete search history.

DESCRIPTION

FIG. 1 is a perspective view of an outdoor luminaire showing the new design;

FIG. 2 is a front view thereof;

FIG. 3 is a top view thereof;

FIG. 4 is a side view thereof; and,

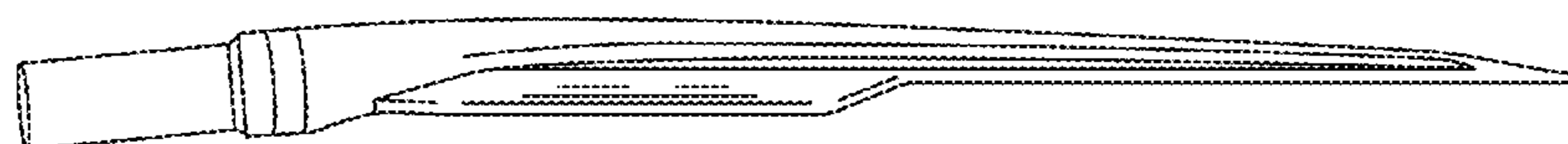
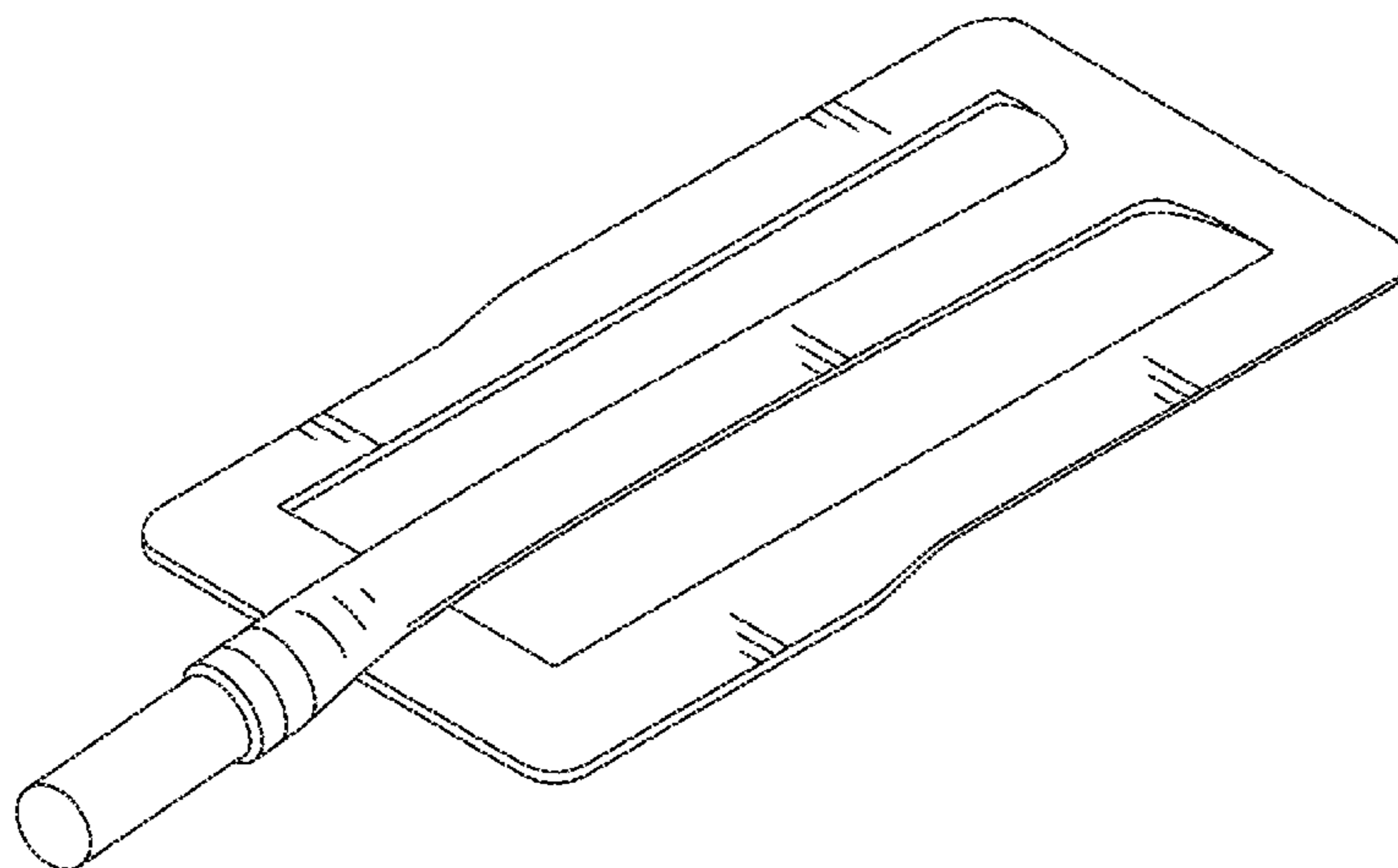
FIG. 5 is a bottom view thereof.

(56) **References Cited**

U.S. PATENT DOCUMENTS

5,003,449 A * 3/1991 Stephenson et al. 362/346

1 Claim, 5 Drawing Sheets



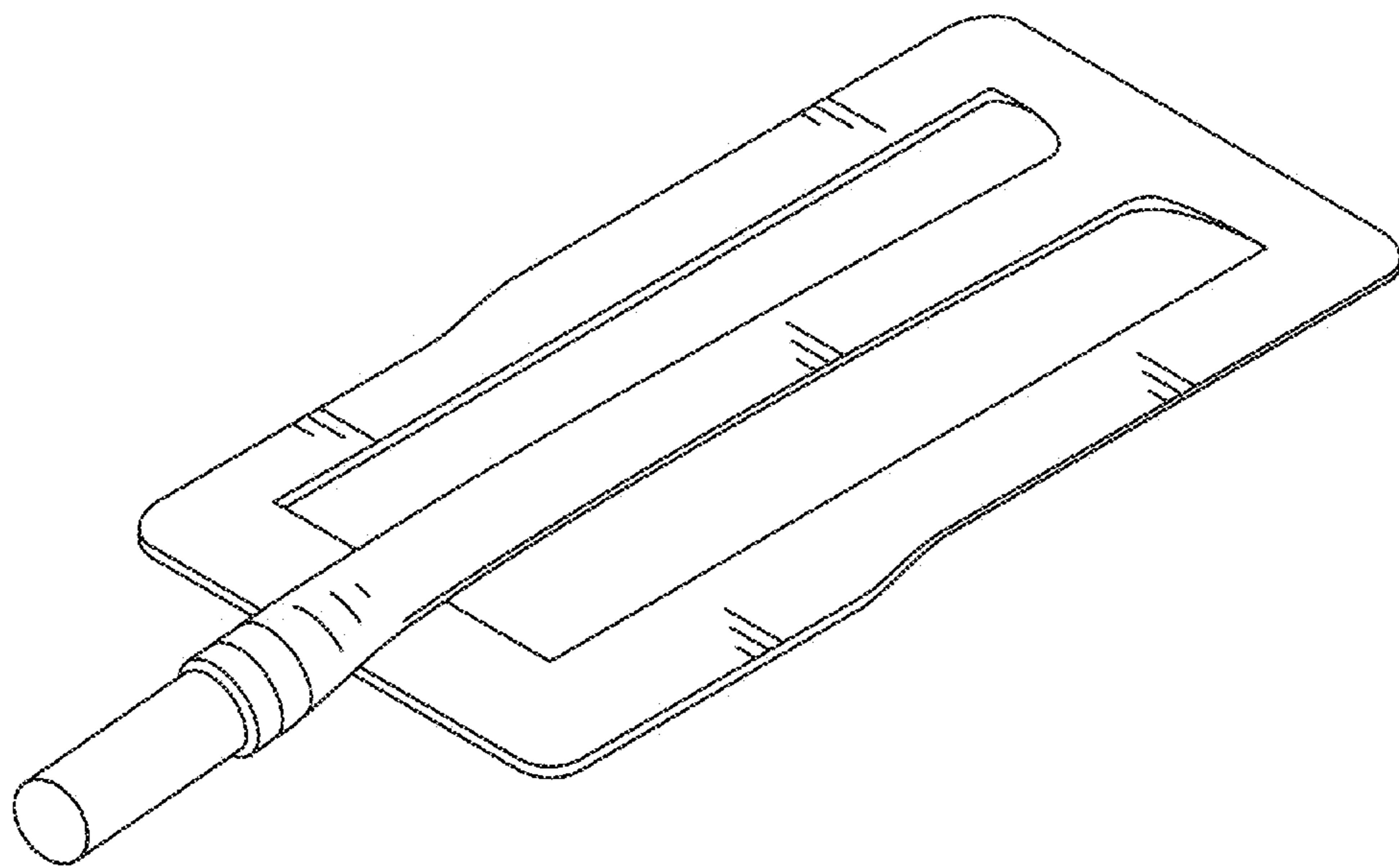


FIG. 1

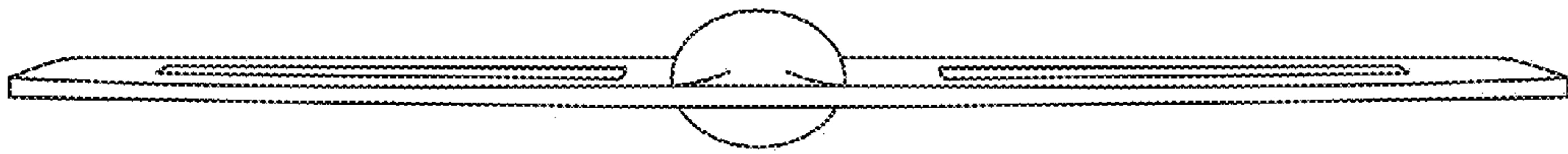


FIG. 2

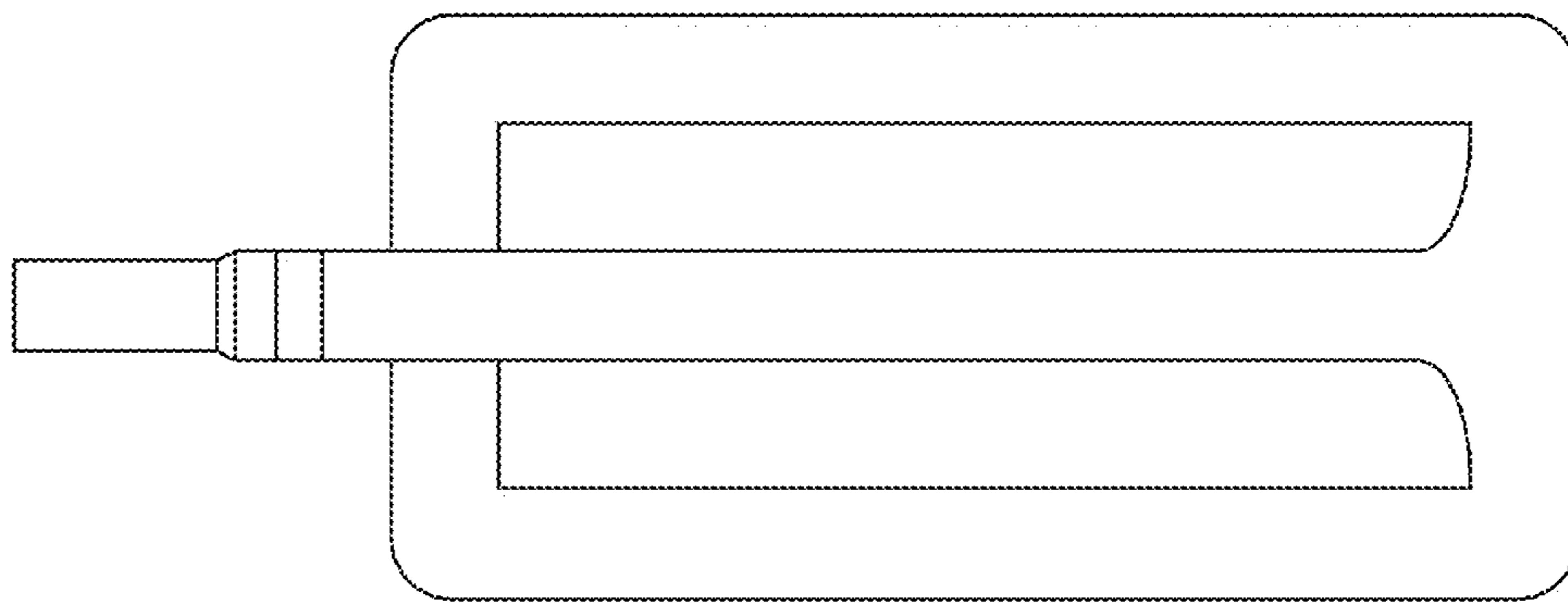


FIG. 3

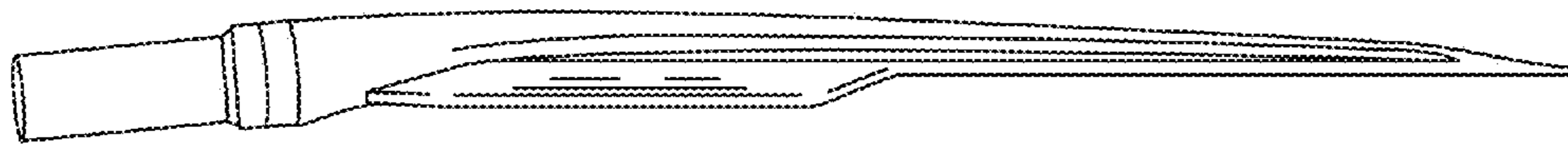


FIG. 4

FIG. 5

