



US00D744687S

(12) **United States Design Patent**
Li

(10) **Patent No.:** **US D744,687 S**

(45) **Date of Patent:** **** Dec. 1, 2015**

(54) **LAMP**

(71) Applicant: **Hangzhou China Arts Industrial Corp., Ltd**, Hangzhou, Zhejiang (CN)

(72) Inventor: **Ren Li**, Hangzhou (CN)

(73) Assignee: **Hangzhou China Arts Industrial Corp., Ltd**, Hangzhou (CN)

(**) Term: **14 Years**

(21) Appl. No.: **29/508,153**

(22) Filed: **Nov. 4, 2014**

(30) **Foreign Application Priority Data**

Sep. 18, 2014 (CN) 2014 3 0345605

(51) **LOC (10) Cl.** **26-05**

(52) **U.S. Cl.**
USPC **D26/67**

(58) **Field of Classification Search**
USPC D26/67-70, 89, 93; D10/113.2;
D25/128, 135
CPC F21S 6/004; F21S 6/005; F21S 6/007;
F21S 6/008; F21S 8/032; F21S 8/08; F21S
8/081; F21S 8/083; F21S 8/085

See application file for complete search history.

(56) **References Cited**

U.S. PATENT DOCUMENTS

D316,458	S	*	4/1991	Spotts et al.	D26/67
D460,570	S	*	7/2002	Grant	D25/135
D485,000	S	*	1/2004	Chen	D26/67
D580,581	S	*	11/2008	Grant	D26/68
D616,134	S	*	5/2010	Grant	D26/68
D624,227	S	*	9/2010	Grant	D26/67
D670,405	S	*	11/2012	McKenzie	D25/135
D693,510	S	*	11/2013	Chen	D26/67
2002/0148183	A1	*	10/2002	Grant	52/300

* cited by examiner

Primary Examiner — Clare E Heflin

(74) *Attorney, Agent, or Firm* — Mei & Mark LLP

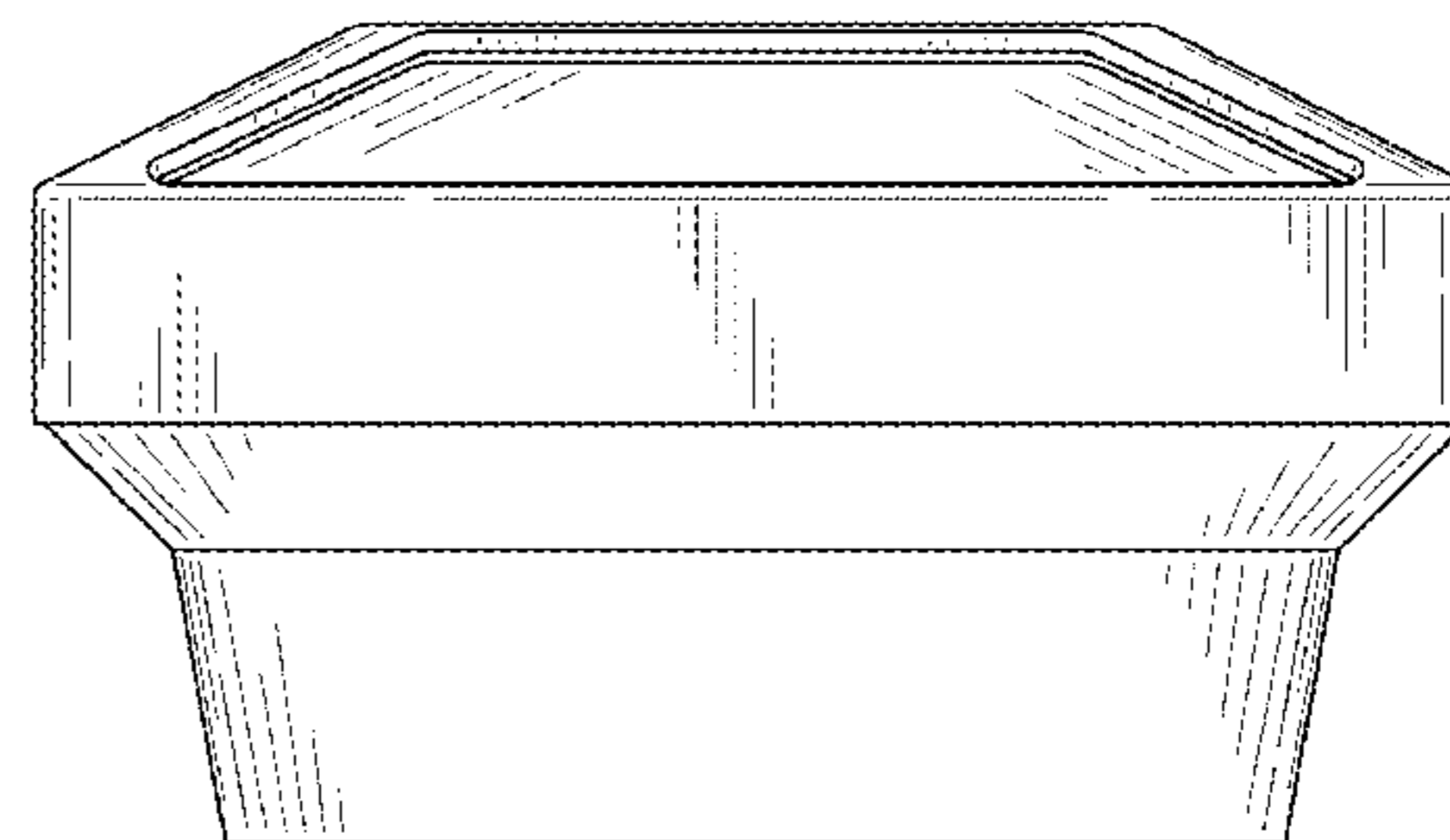
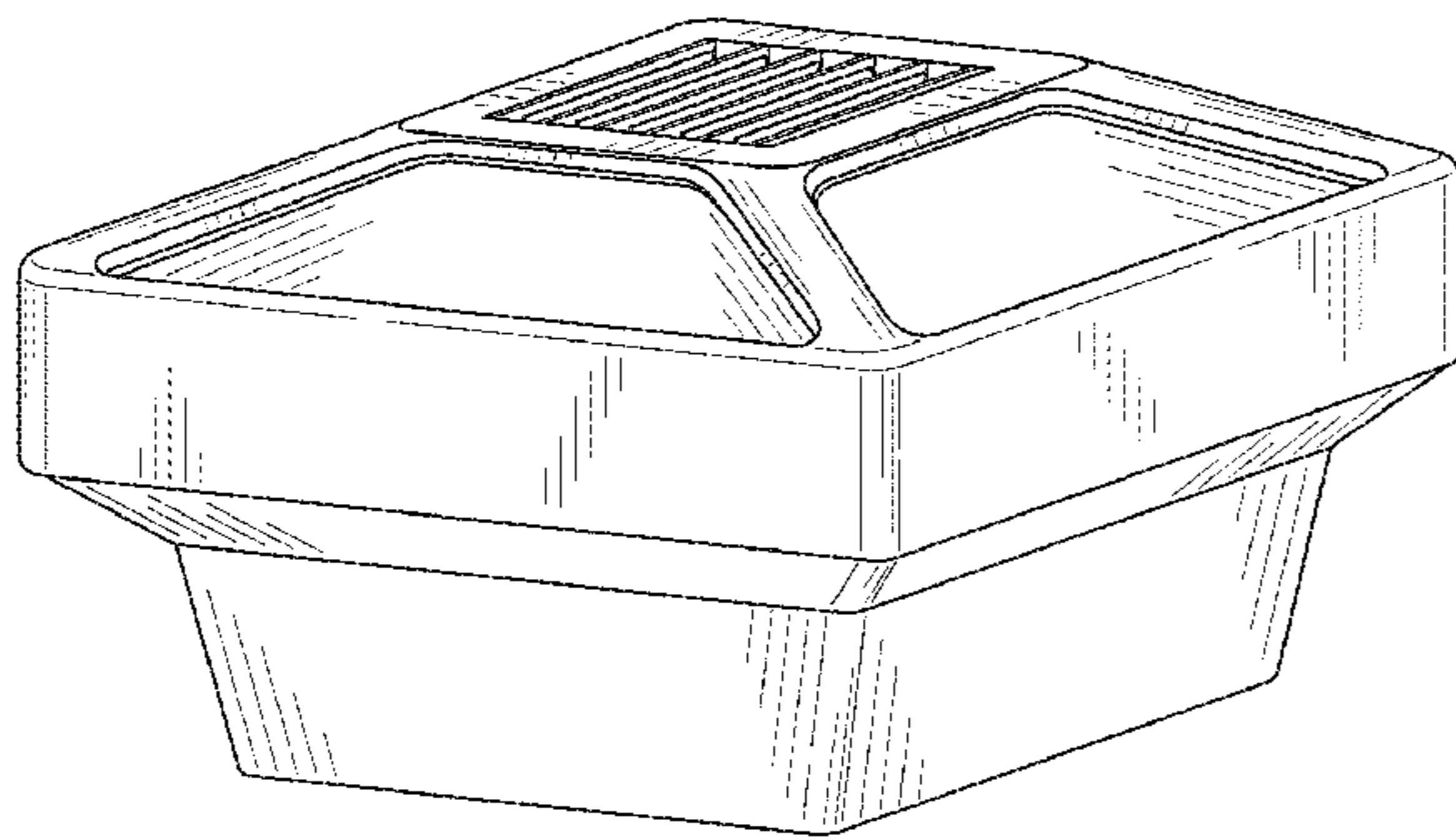
(57) **CLAIM**

I claim the ornamental design for a lamp, as shown and described.

DESCRIPTION

FIG. 1 is a perspective side view thereof
FIG. 2 is a front view thereof
FIG. 3 is a rear view thereof;
FIG. 4 is a left side view thereof
FIG. 5 is a right side view thereof;
FIG. 6 is a top view thereof; and,
FIG. 7 is a bottom view thereof.

1 Claim, 3 Drawing Sheets



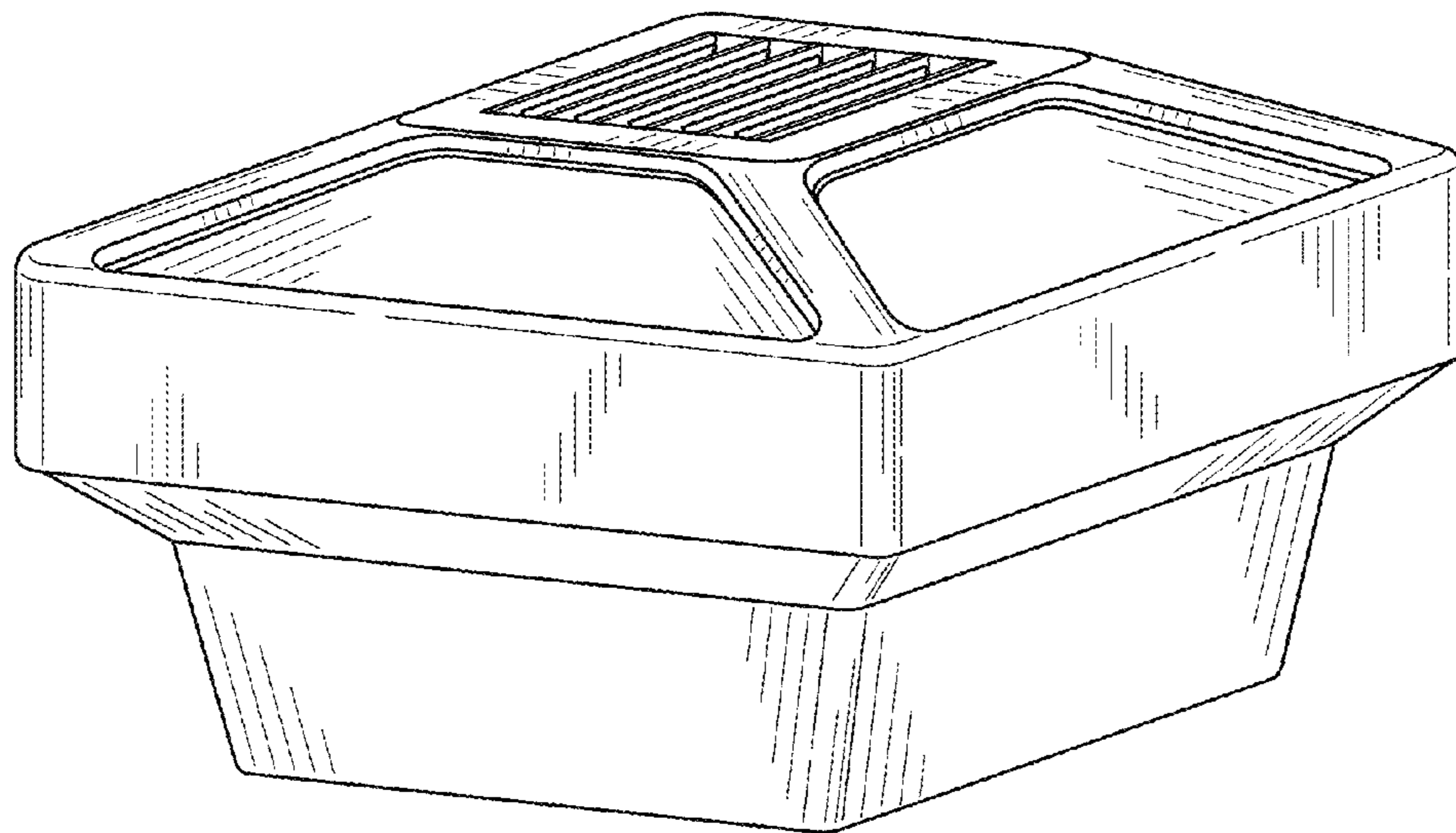


FIG. 1

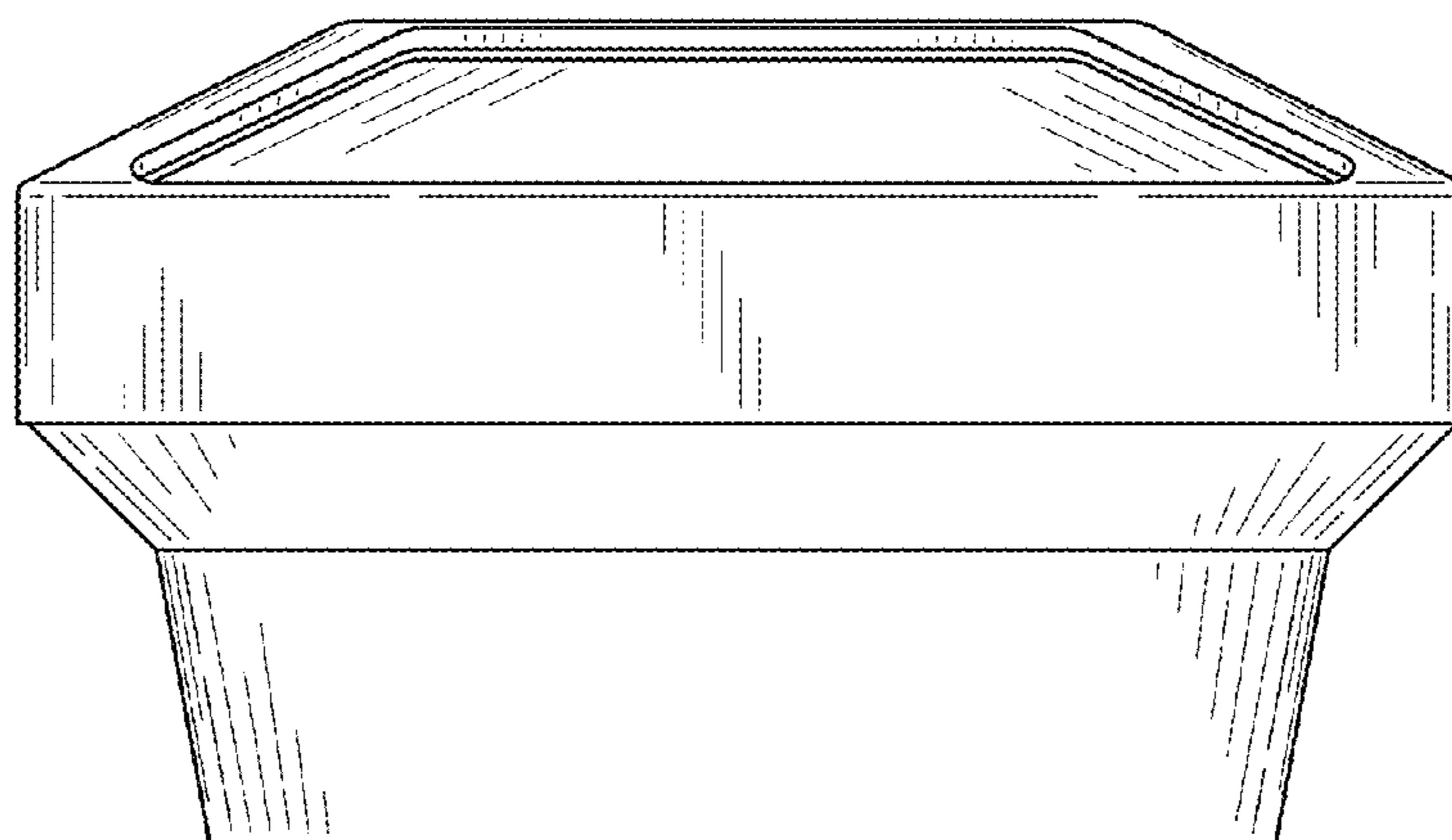


FIG. 2

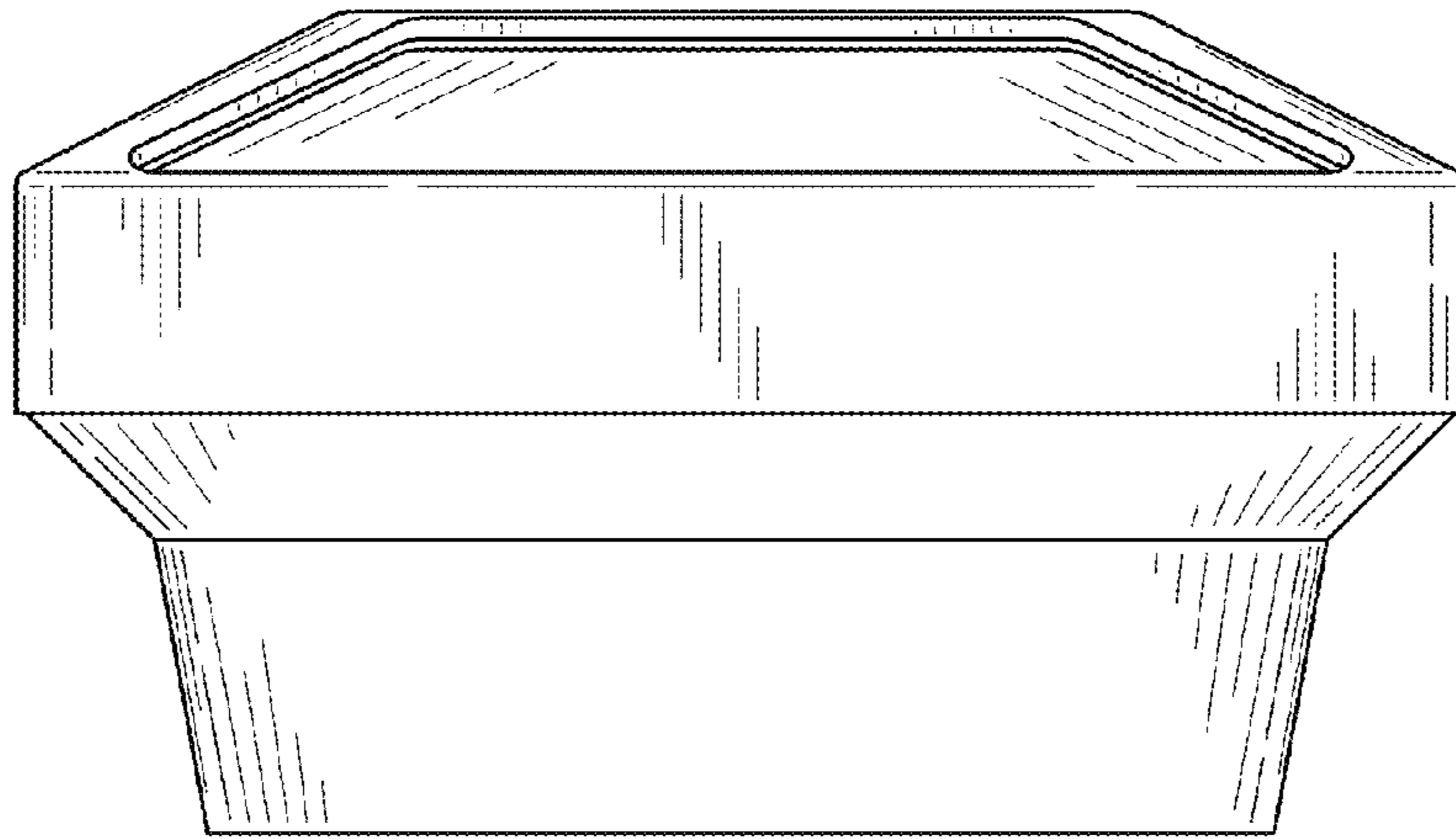


FIG. 3

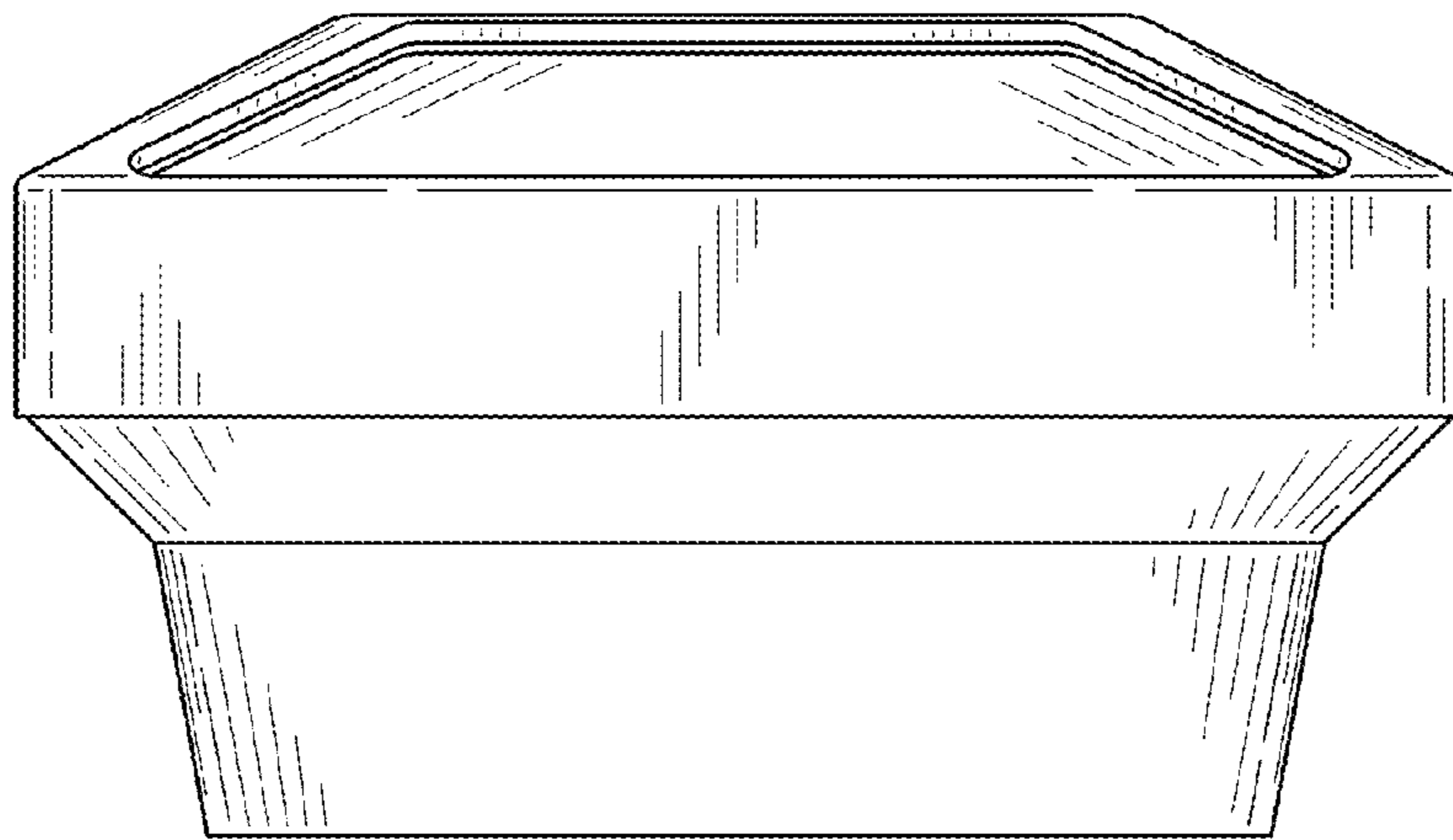


FIG. 4

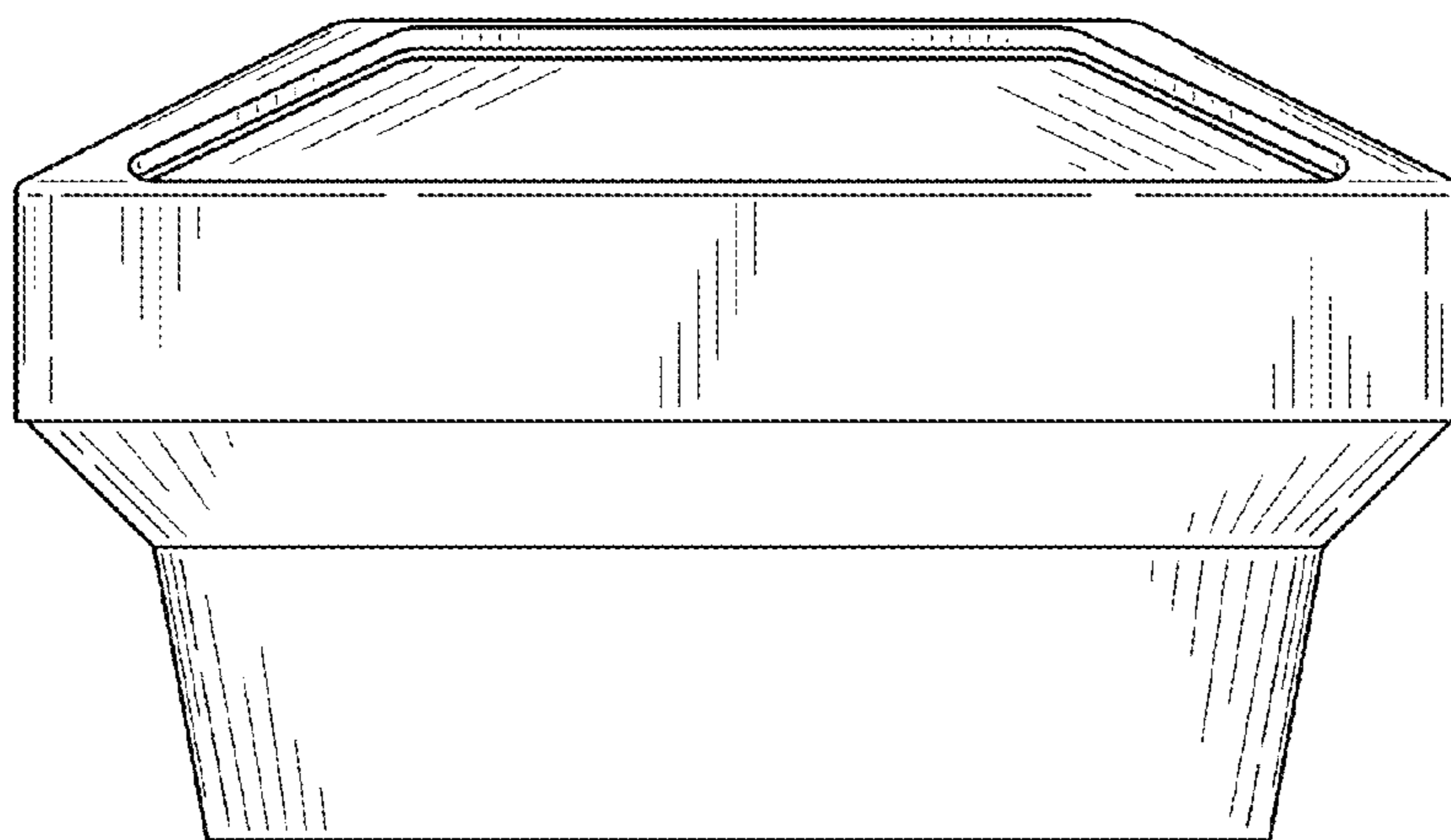


FIG. 5

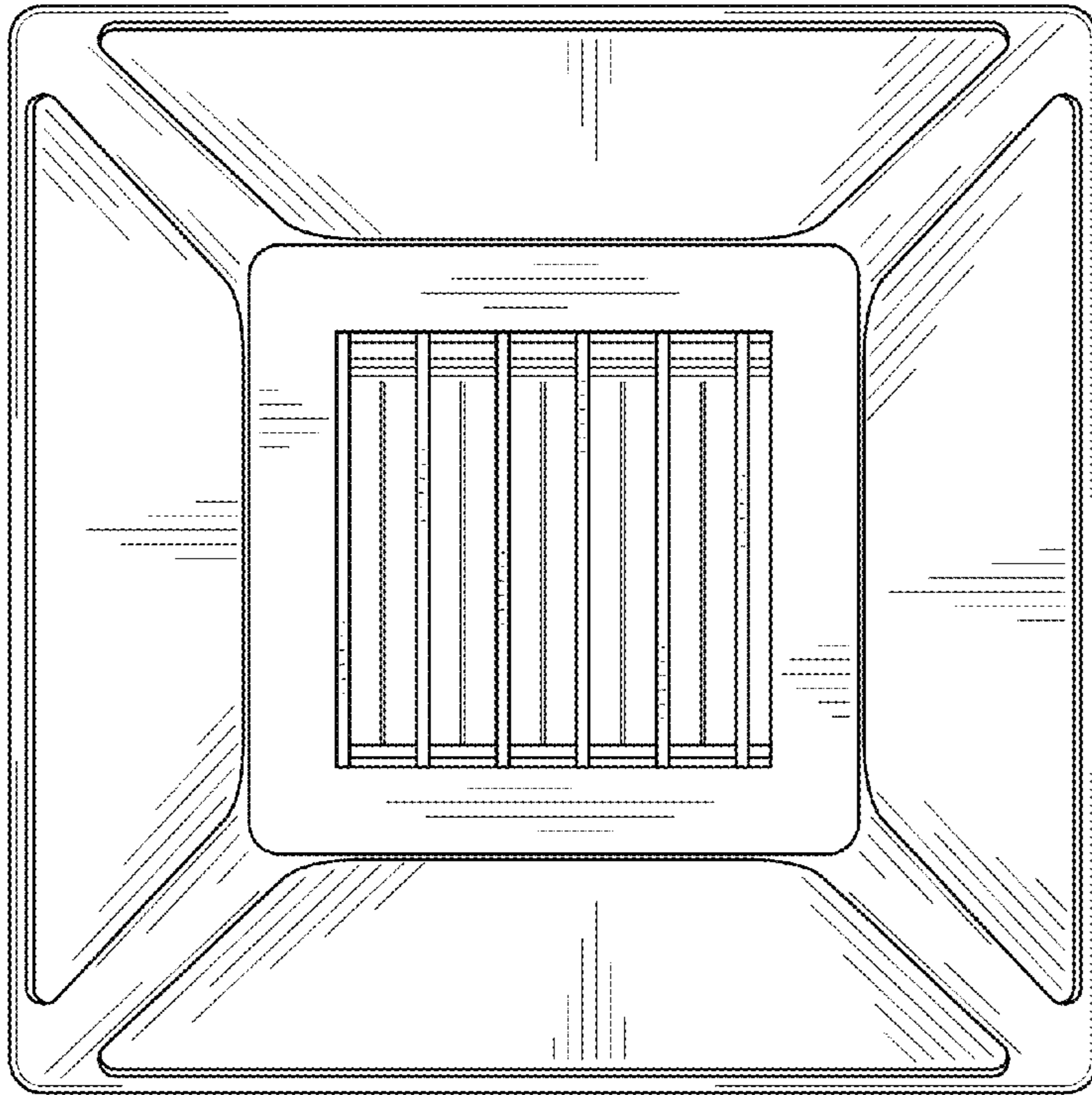


FIG. 6

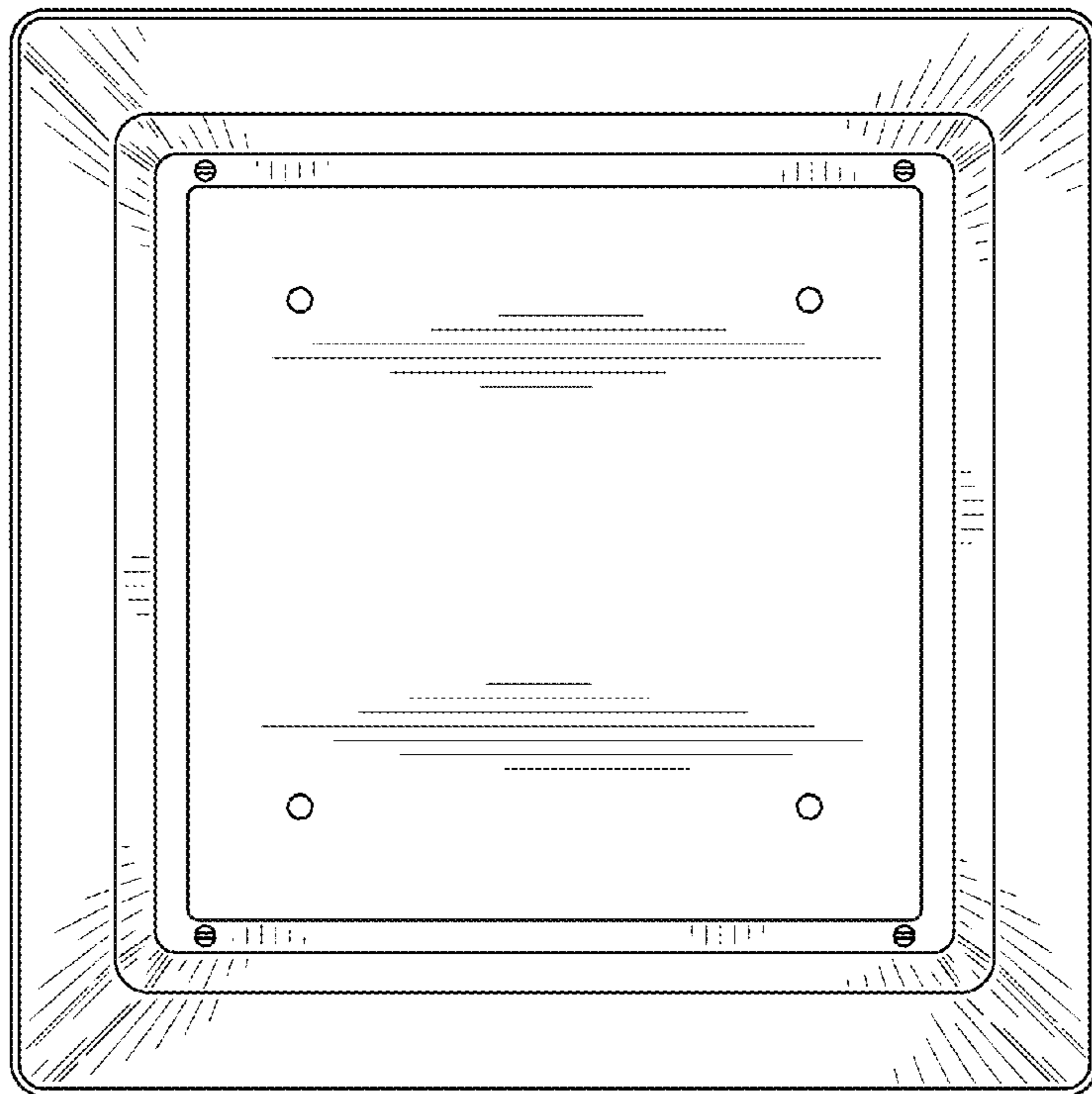


FIG. 7