



US00D744685S

(12) **United States Design Patent**  
**Zhan**

(10) **Patent No.:** **US D744,685 S**  
(45) **Date of Patent:** **\*\* Dec. 1, 2015**

(54) **LED SPOT LIGHT**

(71) Applicant: **Xiao-Ming Zhan**, Fuzhou (CN)

(72) Inventor: **Xiao-Ming Zhan**, Fuzhou (CN)

(\*\*) Term: **14 Years**

(21) Appl. No.: **29/487,576**

(22) Filed: **Apr. 10, 2014**

(51) **LOC (10) Cl.** ..... **26-03**

(52) **U.S. Cl.**  
USPC ..... **D26/63**

(58) **Field of Classification Search**  
USPC ..... D26/1, 24, 61, 63, 65, 85, 92  
CPC ..... F21V 21/14; F21V 15/01; F21V 14/02;  
F21V 21/30; F21V 21/00; F21V 14/00;  
F21S 8/00; F21S 8/003; F21S 8/043; F21Y  
2105/001  
See application file for complete search history.

(56) **References Cited**

**U.S. PATENT DOCUMENTS**

D535,774 S \* 1/2007 Weston et al. .... D26/61  
D615,235 S \* 5/2010 Zheng ..... D26/63

D642,721 S \* 8/2011 Li et al. .... D26/63  
D644,776 S \* 9/2011 Rea et al. .... D26/63  
D695,435 S \* 12/2013 Pedersen ..... D26/63

\* cited by examiner

*Primary Examiner* — Brian N Vinson

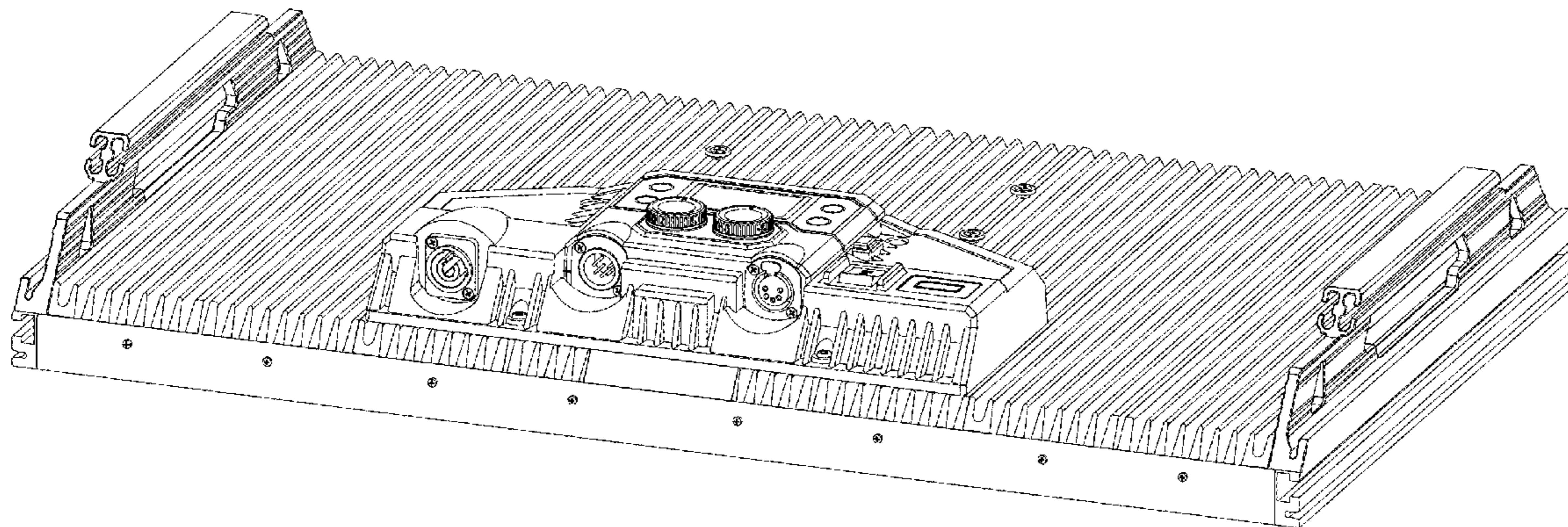
(57) **CLAIM**

The ornamental design for a LED spot light, as shown and described.

**DESCRIPTION**

FIG. 1 is a perspective view of a LED spot light showing my present design;  
FIG. 2 is a front view thereof;  
FIG. 3 is a rear view thereof;  
FIG. 4 is a left side view thereof;  
FIG. 5 is a right side view thereof;  
FIG. 6 is a top view thereof; and,  
FIG. 7 is a bottom view thereof.  
The broken line showing of the LED spot light in FIG. 7 is for illustrative purposes only and forms no part of the claimed design.

**1 Claim, 7 Drawing Sheets**



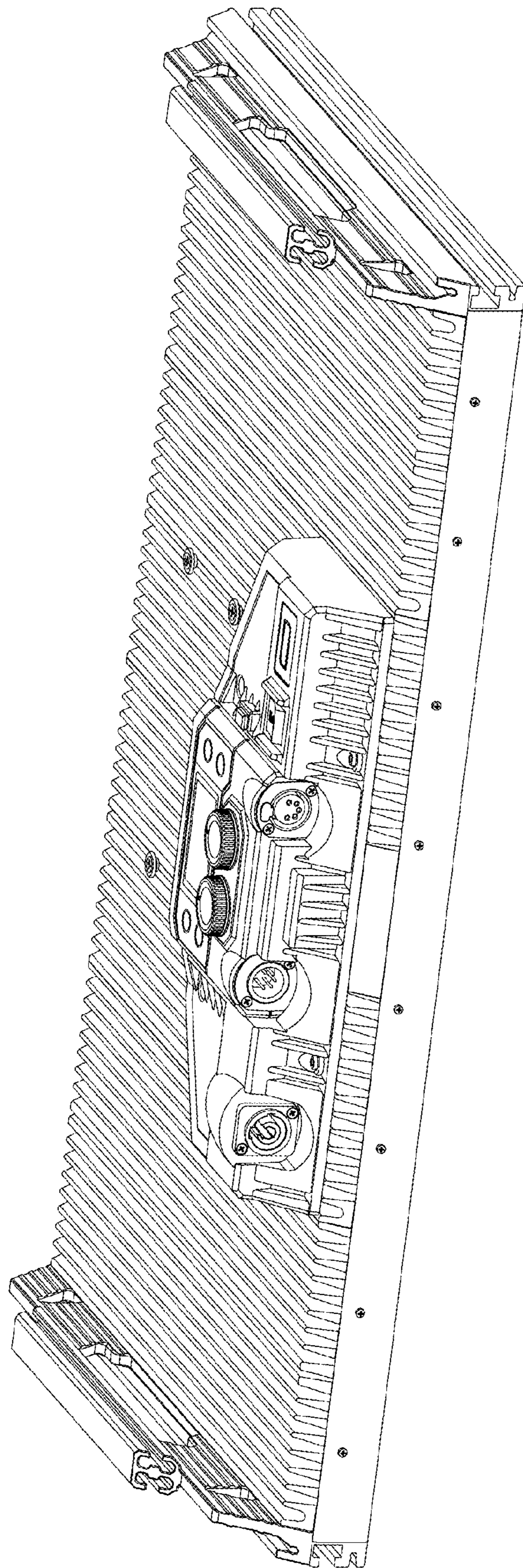


FIG. 1

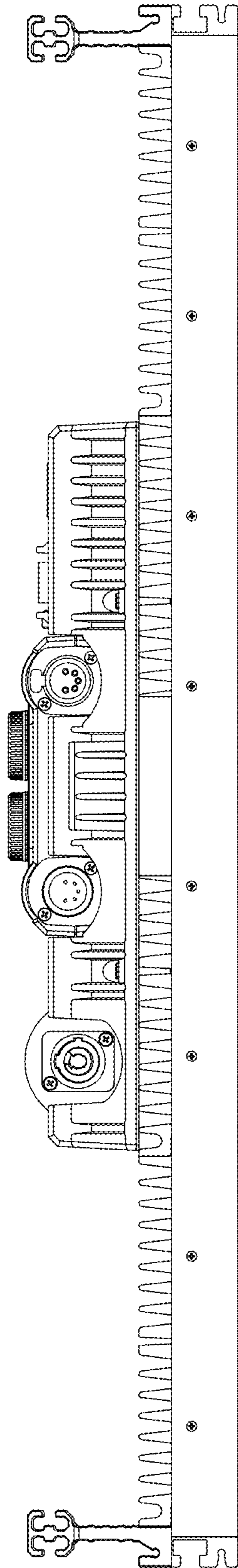


FIG. 2

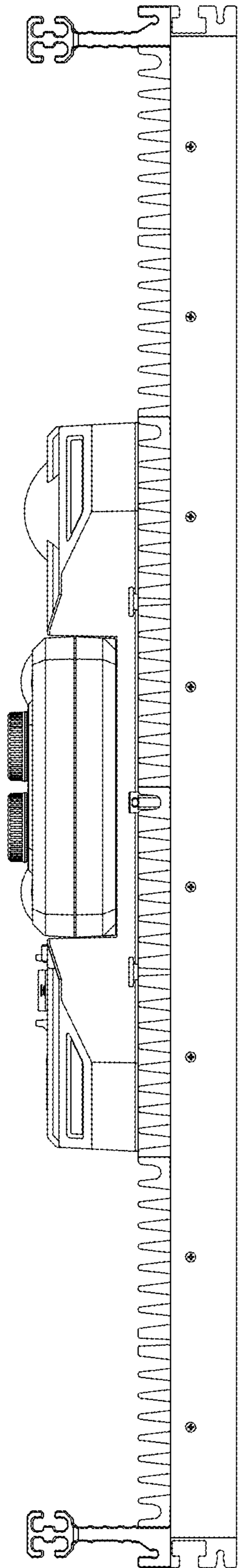


FIG. 3

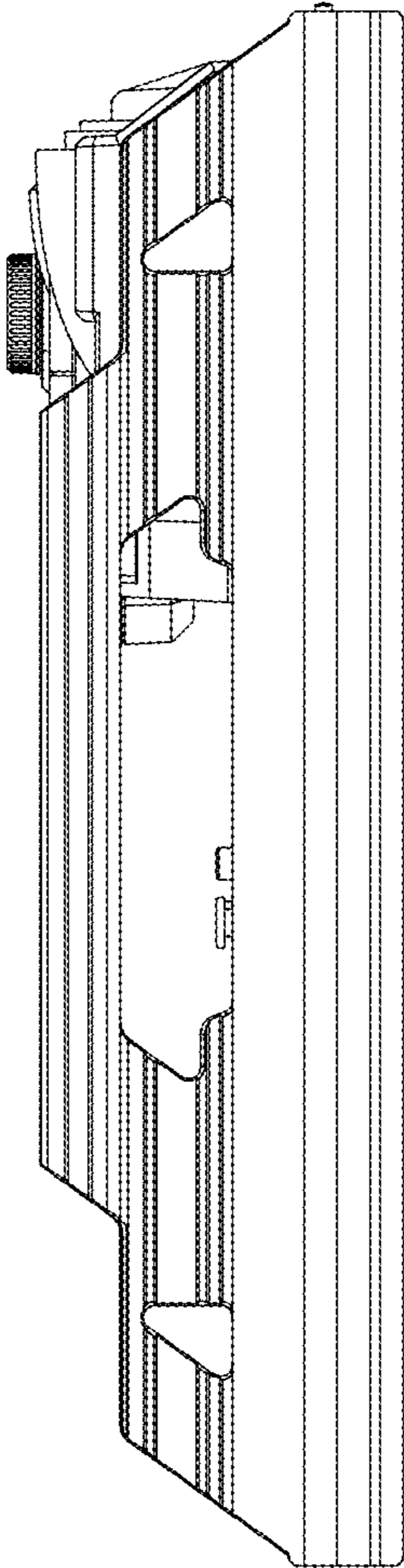


FIG. 4

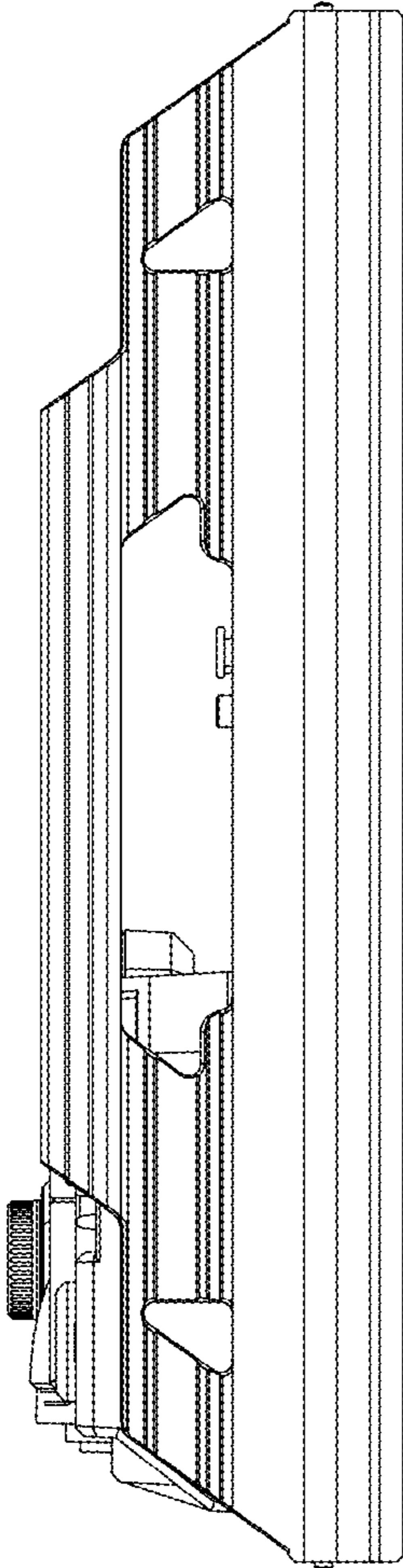


FIG. 5

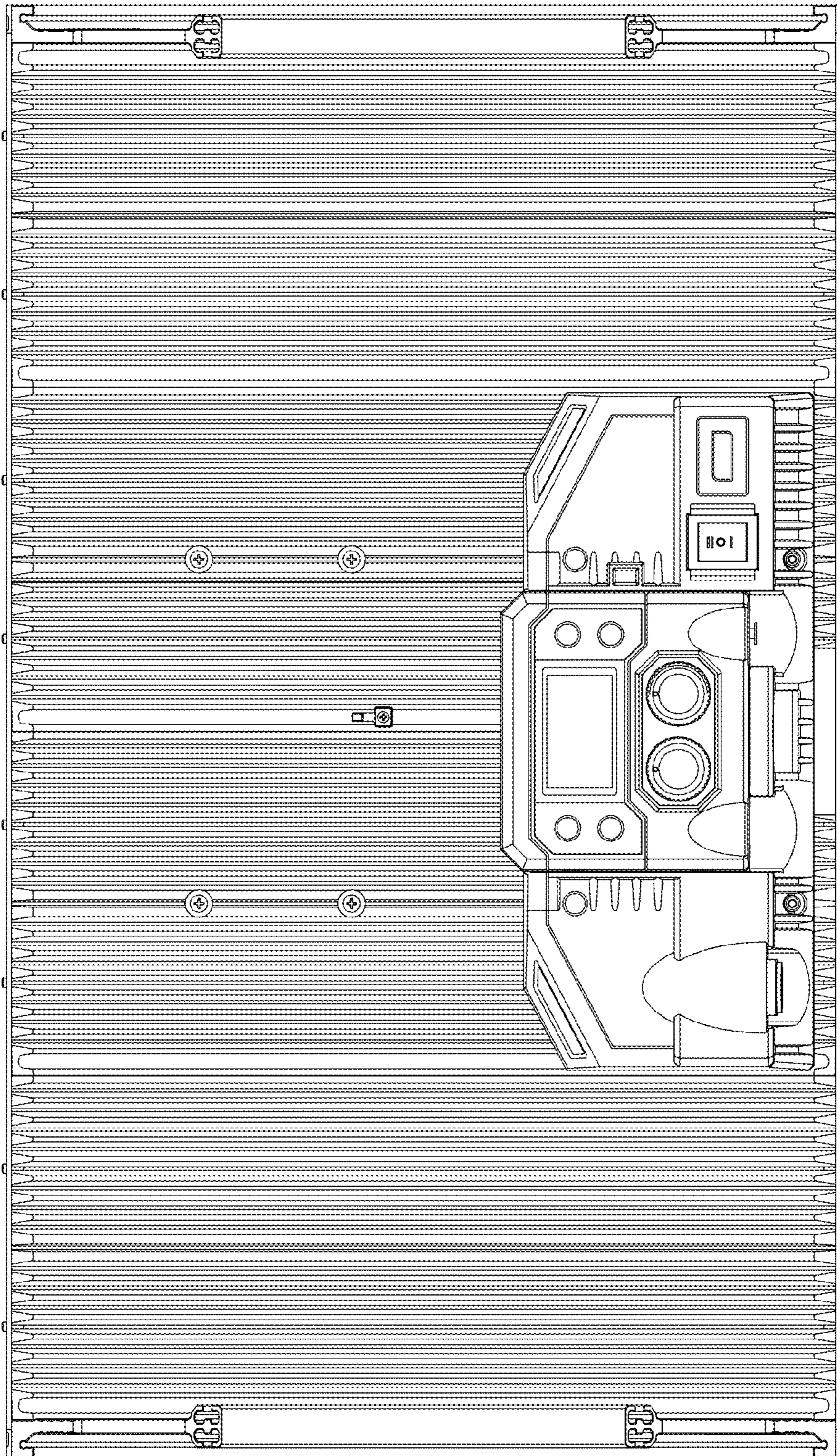


FIG. 6

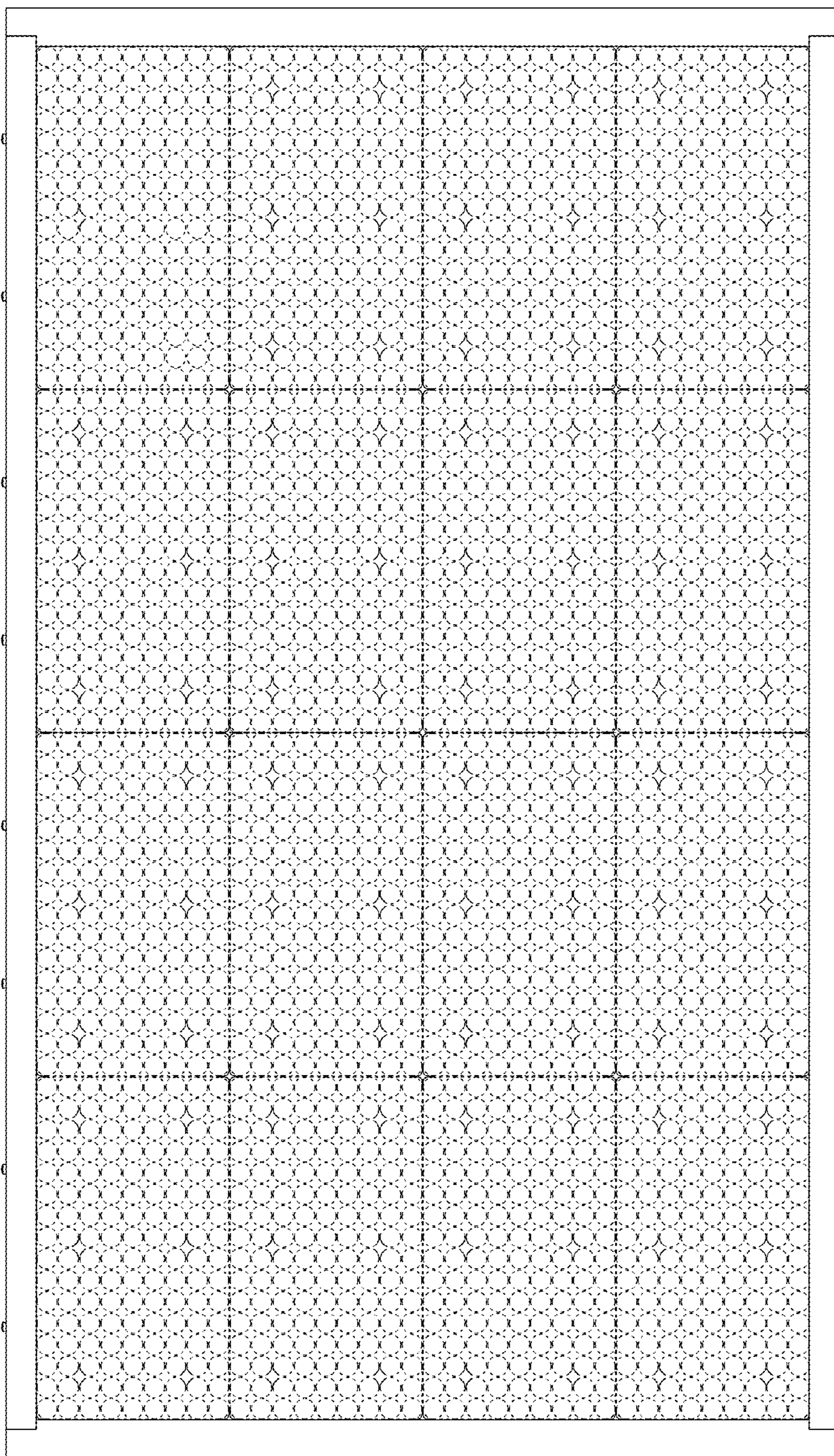


FIG. 7