

US00D744682S

(12) **United States Design Patent**  
**Porter et al.**

(10) **Patent No.:** **US D744,682 S**

(45) **Date of Patent:** **\*\* Dec. 1, 2015**

(54) **TASK ORGANIZER**

(75) Inventors: **Cameron J. Porter**, Minneapolis, MN (US); **Pathakone Vongmalaithong**, Minneapolis, MN (US); **Jessica M. Wilson**, Minneapolis, MN (US)

(73) Assignee: **Target Brands, Inc.**, Minneapolis, MN (US)

(\*\*) Term: **14 Years**

(21) Appl. No.: **29/422,732**

(22) Filed: **May 23, 2012**

(51) **LOC (10) Cl.** ..... **26-02**

(52) **U.S. Cl.**  
USPC ..... **D26/51**

(58) **Field of Classification Search**  
USPC ..... D26/51, 75, 60-66; 362/269, 285, 287, 362/410, 413, 414, 418, 419, 427; D19/75, D19/77, 78, 92  
CPC ..... F21V 33/00; F21V 14/025; F21V 21/406; F21Y 2101/02; F21L 2003/00; F21L 2005/00; F21L 2/00; F21L 4/00; F21L 4/005; F21L 17/00; F21L 13/08; A47G 29/00

See application file for complete search history.

(56) **References Cited**

**U.S. PATENT DOCUMENTS**

D83,409 S	2/1931	Manfredi	
D88,104 S	10/1932	Orenstine et al.	
D89,960 S	5/1933	Hakky	
D147,482 S	9/1947	Winterfeld	
2,582,421 A	1/1949	Essman	
D165,510 S	12/1951	Cianciolo	
D217,830 S *	6/1970	Heller	D26/51
D225,513 S	12/1972	Wang	
D253,898 S *	1/1980	Cross	D19/77
D267,153 S	12/1982	Lebowitz	
D280,739 S	9/1985	Wang	
D280,740 S	9/1985	Wang	

D328,472 S *	8/1992	Ancona et al.	D19/77
D340,999 S *	11/1993	Kua	D26/62
D349,170 S *	7/1994	Lin	D26/51
D351,919 S *	10/1994	Rorke	D26/51
D353,905 S *	12/1994	Lin	D26/65
D364,189 S *	11/1995	Trombly	D19/77
D367,124 S *	2/1996	Sherman	D26/63
D430,215 S *	8/2000	Trombly	D19/77
D440,679 S	4/2001	Lo	
6,279,753 B1	8/2001	Swanson	
D462,998 S *	9/2002	Slater et al.	D19/85

(Continued)

**OTHER PUBLICATIONS**

Office Action from Canadian Patent Application No. 146,337, mailed Nov. 16, 2012 (2 pages).

(Continued)

*Primary Examiner* — Ian Simmons

*Assistant Examiner* — Carissa C Fitts

(74) *Attorney, Agent, or Firm* — Leanne Taveggia Farrell; Westman, Champlin & Koehler, P.A.

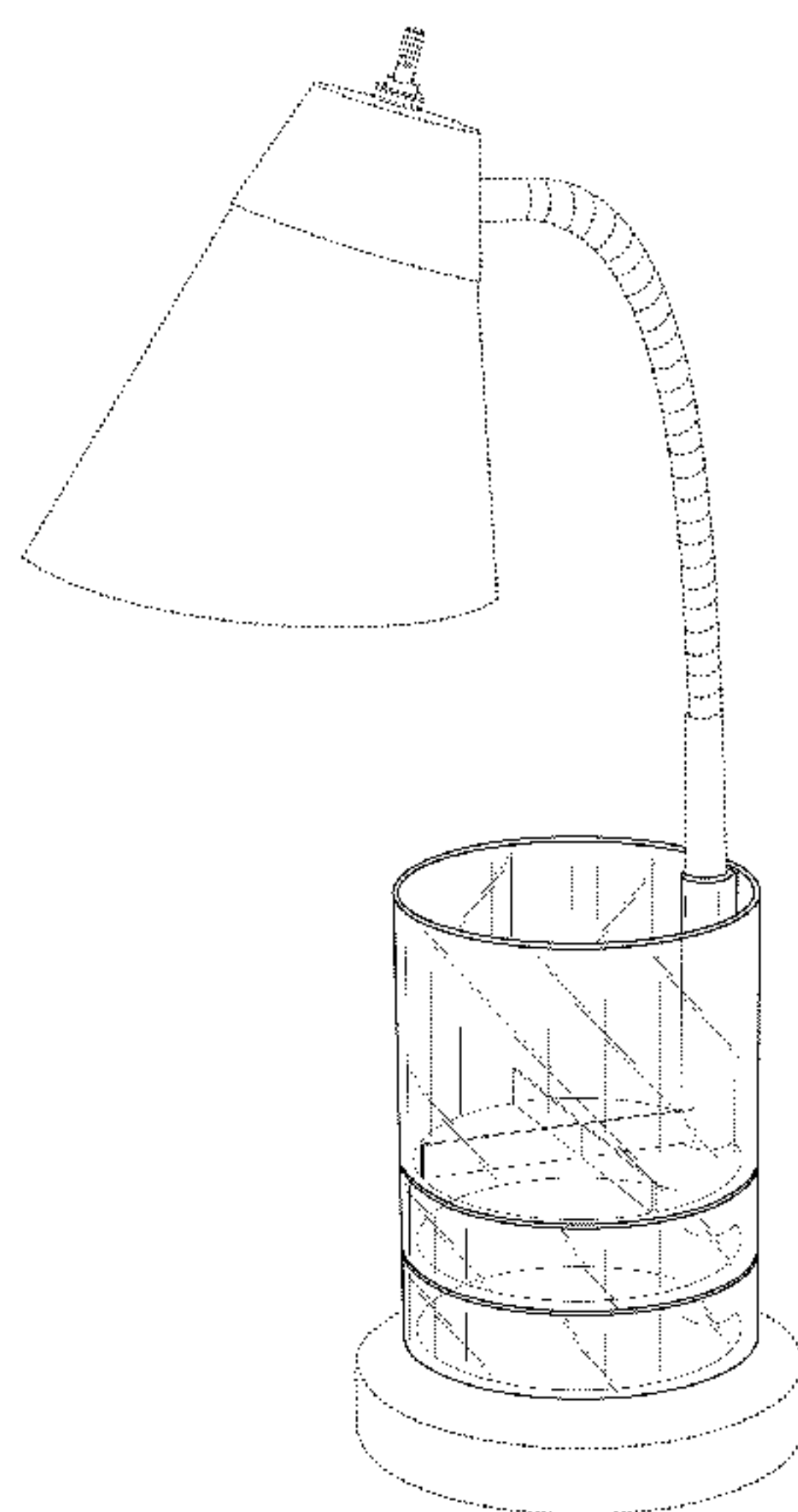
(57) **CLAIM**

The ornamental design for a task organizer, as shown and described.

**DESCRIPTION**

FIG. 1 is a perspective view of a task organizer;  
FIG. 2 is a front view thereof;  
FIG. 3 is a back view thereof;  
FIG. 4 is a right side view thereof, the opposite side being a mirror image;  
FIG. 5 is a top view thereof;  
FIG. 6 is a bottom view of thereof; and,  
FIG. 7 is an enlarged section view taken along line 7-7, with broken line subject matter removed.  
The broken line showing is for environmental purposes only and forms no part of the claimed design.

**1 Claim, 7 Drawing Sheets**



(56)

**References Cited**

U.S. PATENT DOCUMENTS

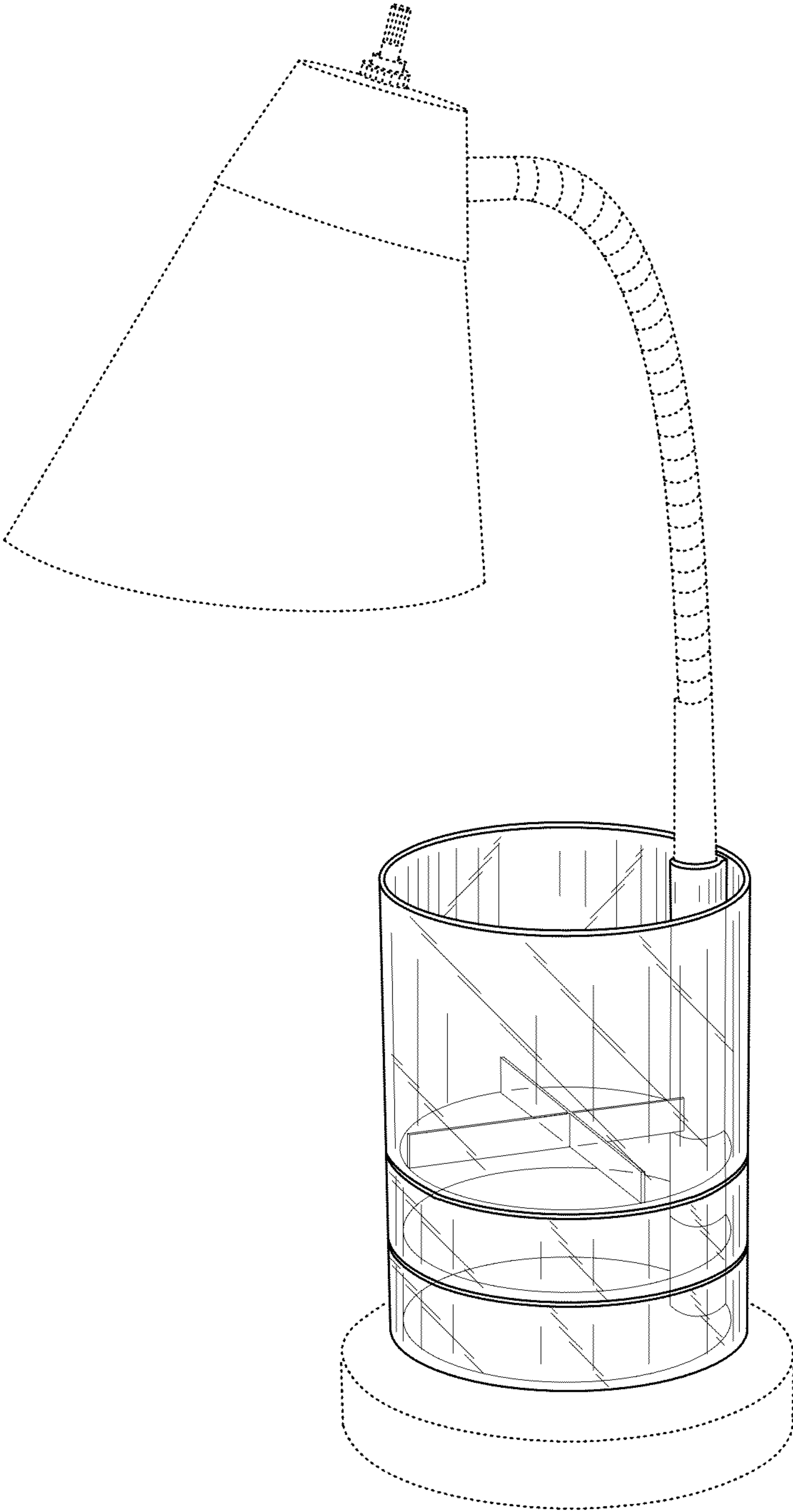
D477,636	S	*	7/2003	Chen	.....	D19/85
6,591,990	B2		7/2003	Lanman et al.		
D510,953	S		10/2005	Chen et al.		
D511,546	S	*	11/2005	Trombly	.....	D19/77
D603,992	S	*	11/2009	Sabernig	.....	D26/63
D626,262	S	*	10/2010	Lu et al.	.....	D26/51
2006/0196837	A1		9/2006	Dao		
2007/0047218	A1		3/2007	Hsieh		

OTHER PUBLICATIONS

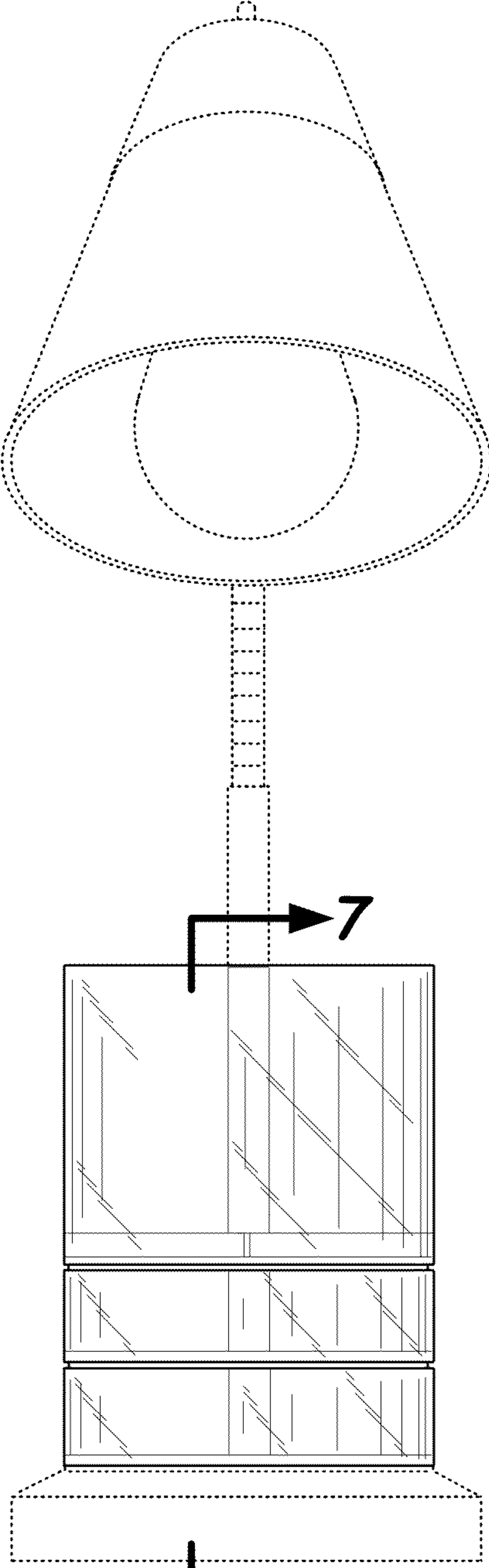
Organizer Desk Lamp, <http://www.kaboodle.com/reviews/bed-bath-beyond--organizer-desk-lamp--clear>, at least as early as Oct. 11, 2011.  
 Gooseneck Swivel Organizer Desk Lamp with Outlet, <http://www.walmart.com/ip/Gooseneck-Swivel-Organizer-Desk-Lamp-with-Outlet-Glossy-Rich-Black/13285335>, at least as early as Oct. 11, 2011.

Rolodex Small Storage Pencil Cup, [http://www.buyonlinenow.com/viewitemsAct.asp?classlabel=GCBA&manufactlabel=1700267&SKU=RUB14095ROS&gb=1&utm\\_source=googlebase&utm\\_medium=comparionshopping&adtype=pla&gclid=CPO\\_praP36sCFcfsKgodmhzcw](http://www.buyonlinenow.com/viewitemsAct.asp?classlabel=GCBA&manufactlabel=1700267&SKU=RUB14095ROS&gb=1&utm_source=googlebase&utm_medium=comparionshopping&adtype=pla&gclid=CPO_praP36sCFcfsKgodmhzcw), at least as early as Oct. 11, 2011.  
 American Lighting 9354U Gooseneck Organizer Desk Lamp, <http://www.betterimprovement.com/desk-lamp/>, at least as early as Oct. 11, 2011.  
 Double Shade Organizer Desk Lamp, <http://www.kaboodle.com/reviews/double-shade-organizer-desk-lamp--blue>, at least as early as Oct. 11, 2011.  
 Dual Shade Organizer Desk Lamp, <http://www.manufacturer.com/product/i6980684-Dual+Shade+Organizer+Desk+Lamp.html>, at least as early as Oct. 11, 2011.  
 Desk Lamp and Organizer, <http://www.girlslife.com/post/2010/07/22/10-Ways-to-Smarten-Up-Your-Study-Space.aspx?cp=all>, at least as early as Oct. 11, 2011.  
 Lite Source LS-20155WHT Bryon Organizer Desk Lamp, <http://www.desklamps.com/desk-lamps/contemporary/litesourcels20155whtbryonorganizerdesklamp.cfm>, at least as early as Oct. 11, 2011.

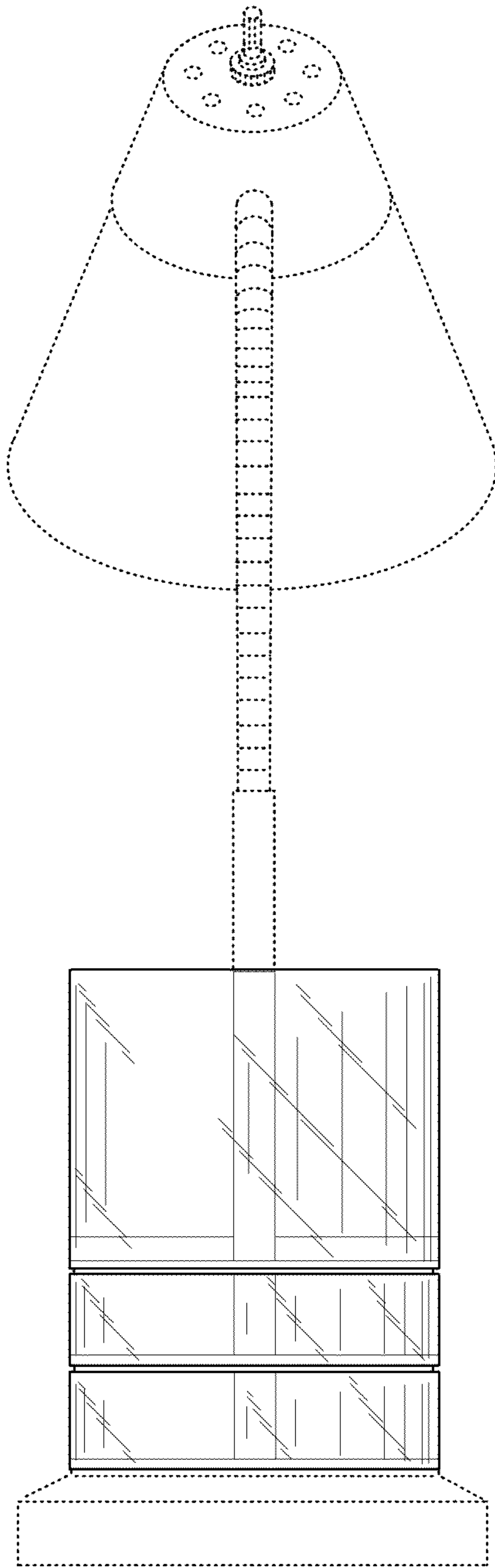
\* cited by examiner



**Fig. 1**

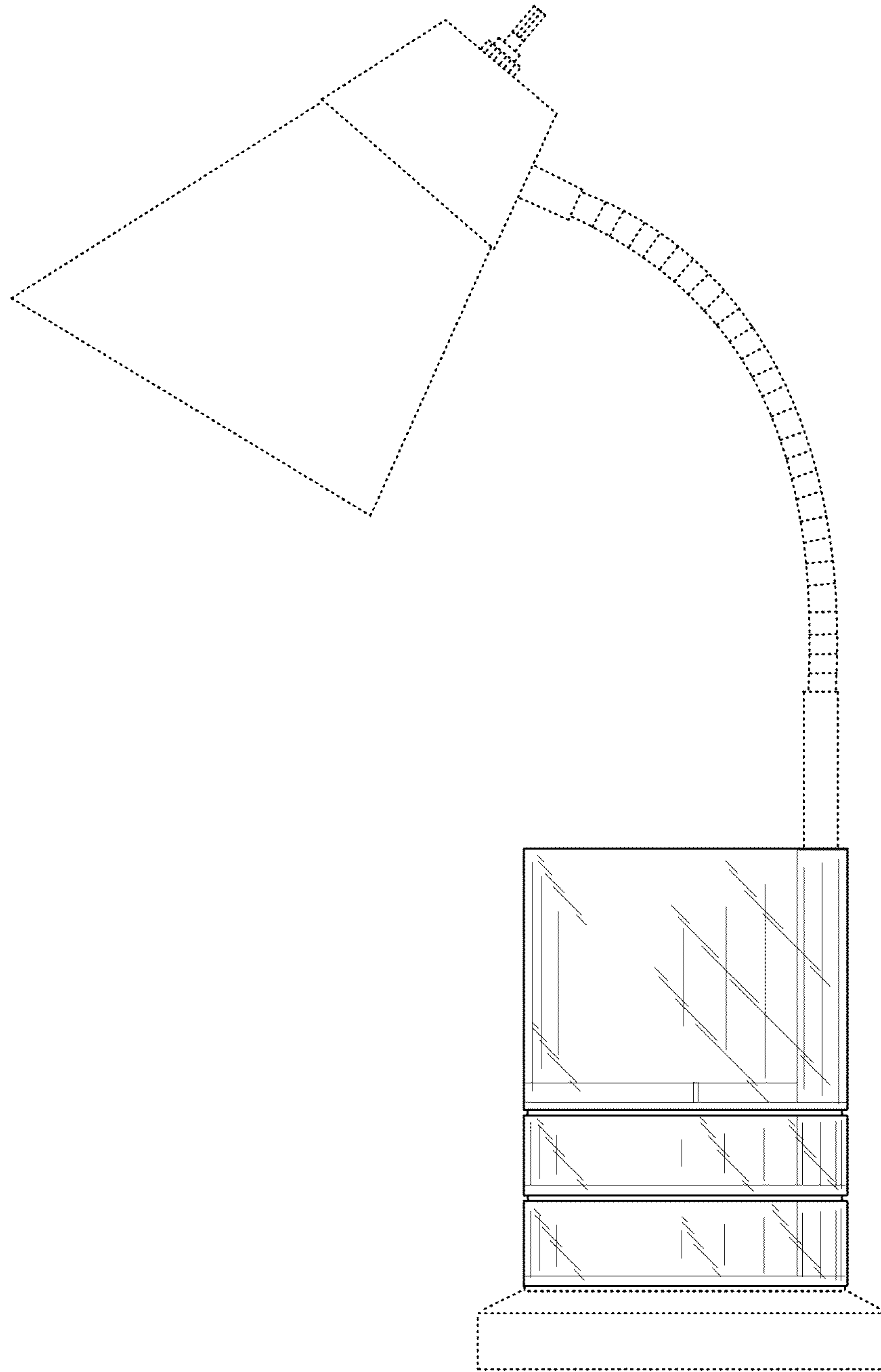


*Fig. 2*

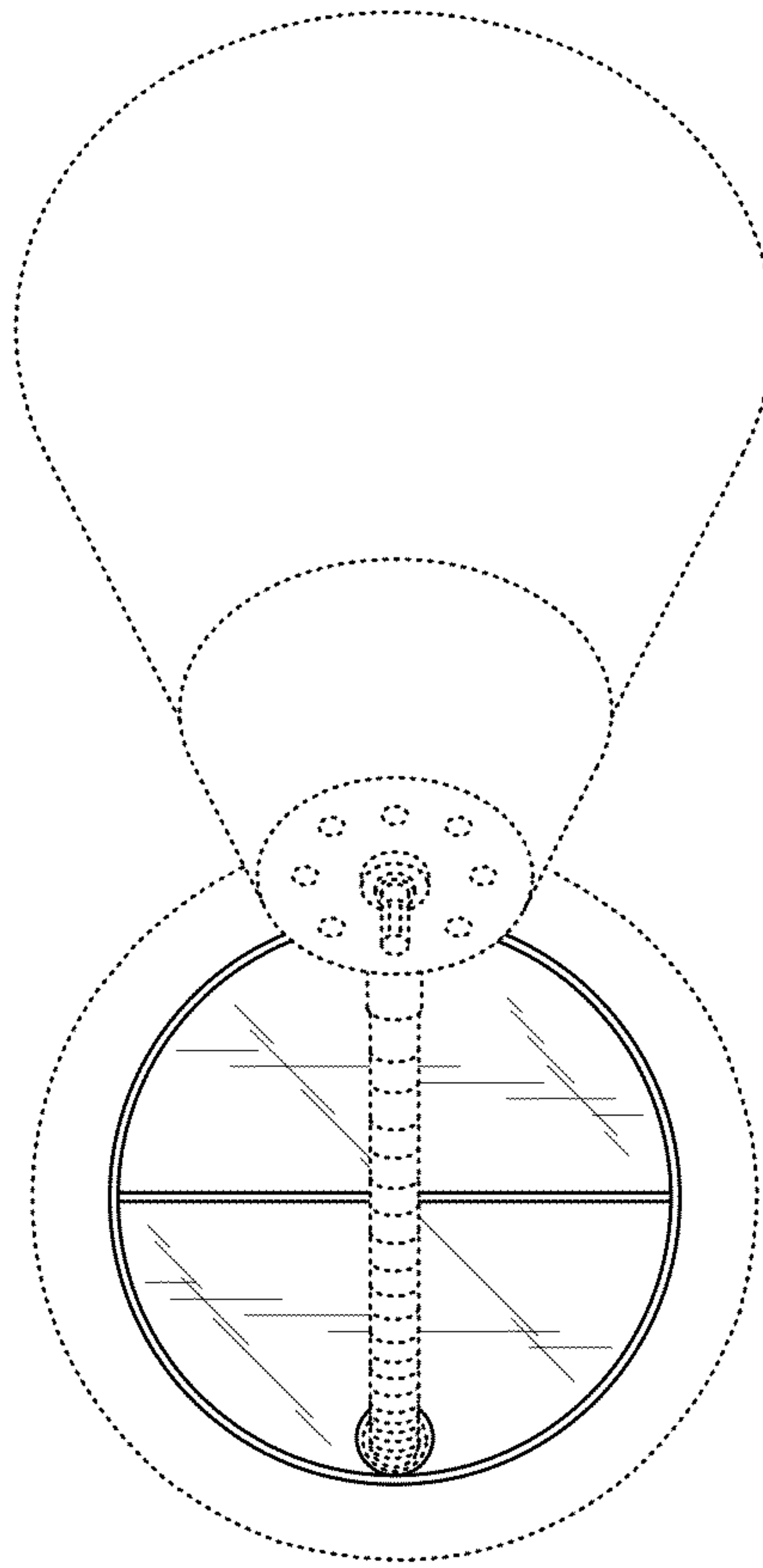


**Fig. 3**

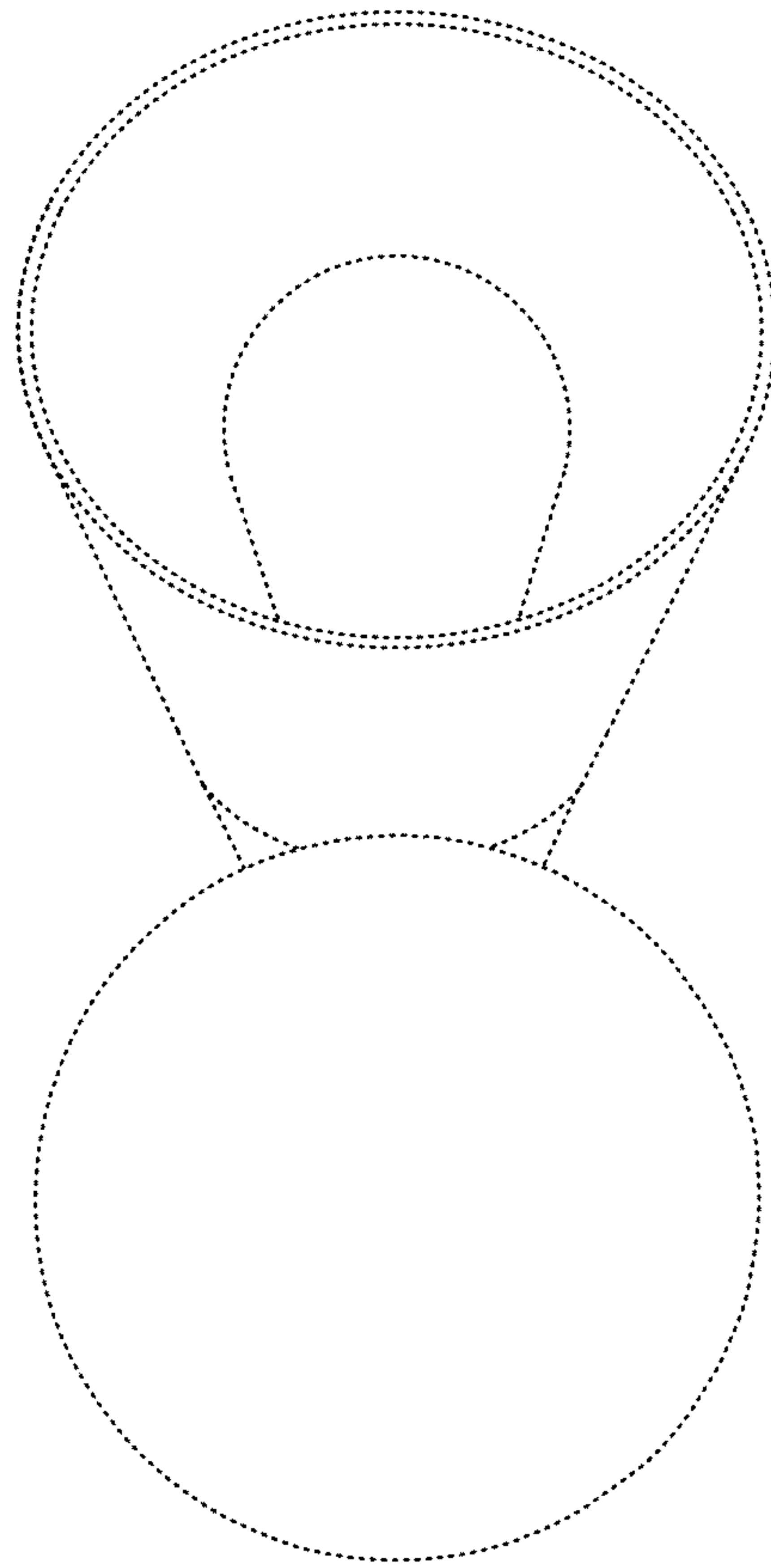




**Fig. 4**

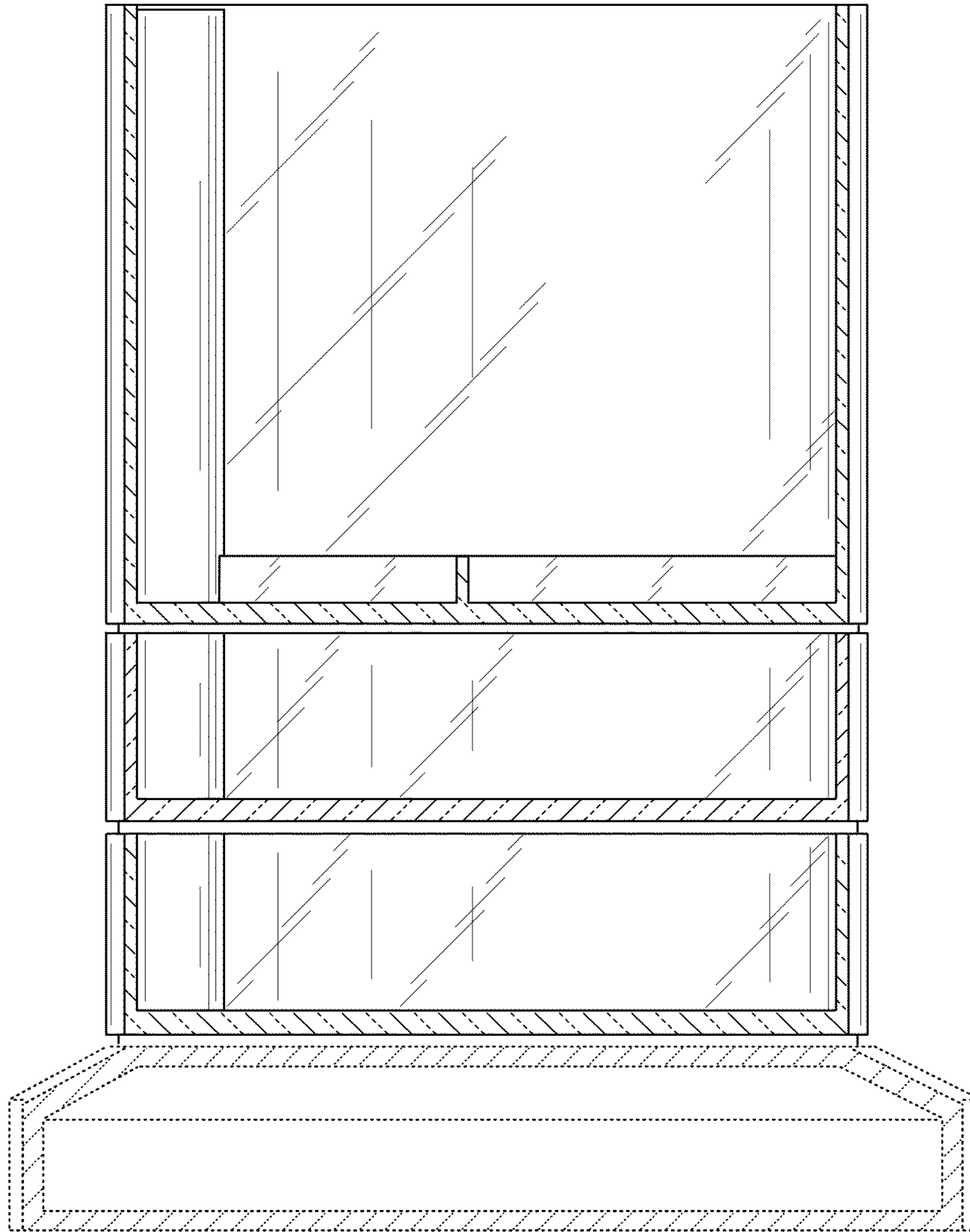


**Fig. 5**



*Fig. 6*





*Fig. 7*