



US00D744681S

(12) **United States Design Patent**
Breen

(10) **Patent No.:** **US D744,681 S**

(45) **Date of Patent:** **** *Dec. 1, 2015**

(54) **LASER**

(71) Applicant: **Jim Breen**, Chandler, AZ (US)

(72) Inventor: **Jim Breen**, Chandler, AZ (US)

(*) Notice: This patent is subject to a terminal disclaimer.

(**) Term: **14 Years**

(21) Appl. No.: **29/465,170**

(22) Filed: **Aug. 24, 2013**

(51) **LOC (10) Cl.** **26-02**

(52) **U.S. Cl.**
USPC **D26/49**

(58) **Field of Classification Search**
USPC D26/37, 38, 44, 46, 49, 50; 362/157,
362/158, 183, 184, 194-196, 200-208
CPC F21L 2/00; F21L 4/00; F21L 4/005;
F21L 17/00; F21L 13/08; F21Y 2101/00;
F21V 21/30; F21V 21/406; F21W 2131/406;
F21W 2131/407
See application file for complete search history.

(56) **References Cited**

U.S. PATENT DOCUMENTS

D235,575 S * 6/1975 Brindley D26/49
D429,830 S * 8/2000 Ting D26/37
D429,831 S * 8/2000 Ting D26/37

D494,695 S * 8/2004 Oas D26/37
D495,074 S * 8/2004 Oas D26/37
D505,506 S * 5/2005 Kolflat D26/37
D560,835 S * 1/2008 Hass D26/37
D565,213 S * 3/2008 Chan D26/37
D571,386 S * 6/2008 Lipsiner et al. D16/131
D572,394 S * 7/2008 Dalton D26/37
D675,764 S * 2/2013 Boutet et al. D26/49
D706,969 S * 6/2014 Casciotti et al. D26/49

* cited by examiner

Primary Examiner — Ian Simmons

Assistant Examiner — Carissa C Fitts

(74) *Attorney, Agent, or Firm* — Paul B. Heynssens Attorney at Law PLC

(57) **CLAIM**

The ornamental design for a laser, as shown and described.

DESCRIPTION

FIG. 1 is a front perspective view of a laser showing my new design;

FIG. 2 is a right view thereof;

FIG. 3 is a left view thereof;

FIG. 4 is a front view thereof;

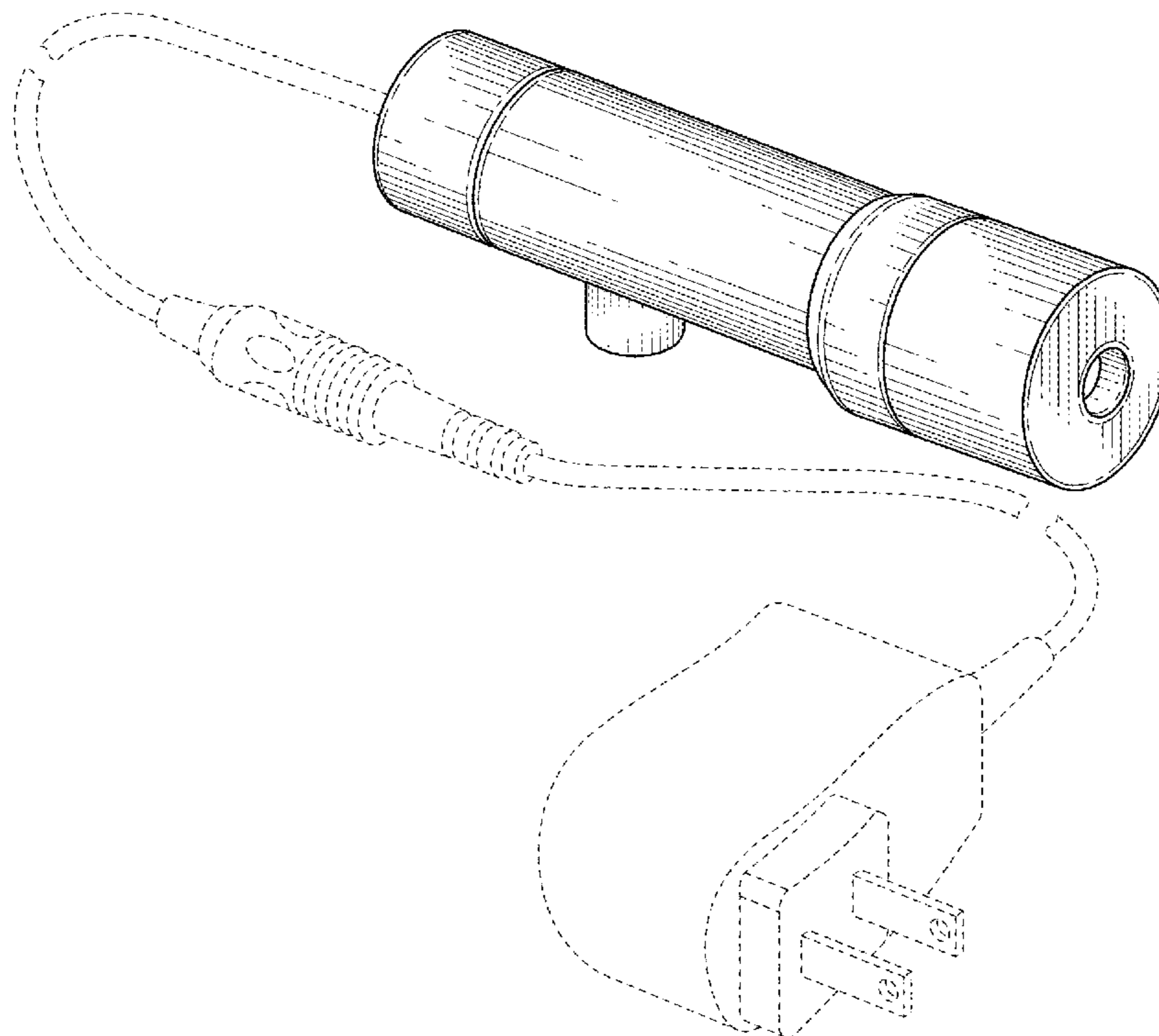
FIG. 5 is a top view thereof;

FIG. 6 is a bottom view thereof; and,

FIG. 7 is a back view thereof.

Any broken lines present are indicative of environmental structure in the drawing and are not part of the design sought to be patented.

1 Claim, 4 Drawing Sheets



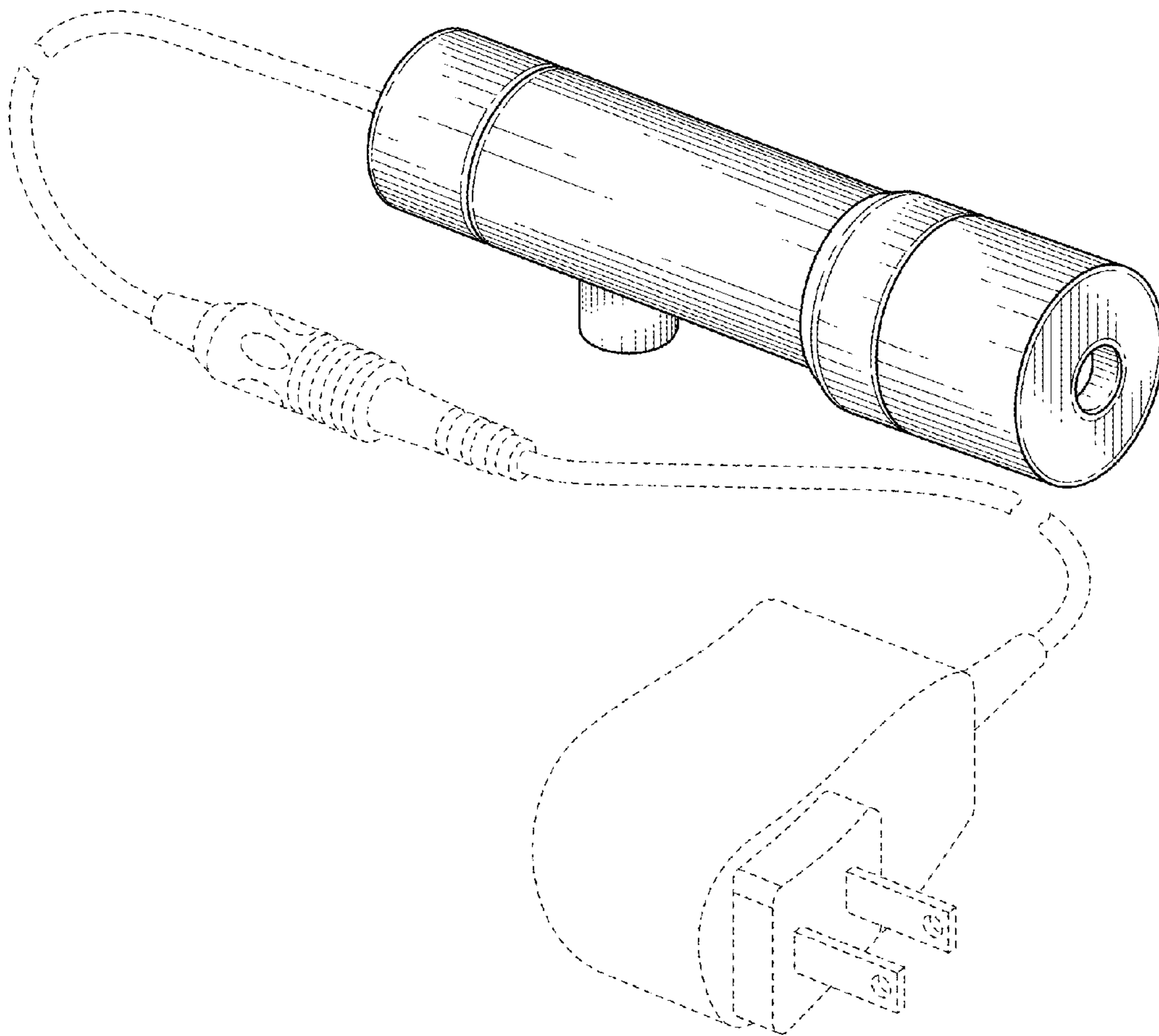


FIG. 1

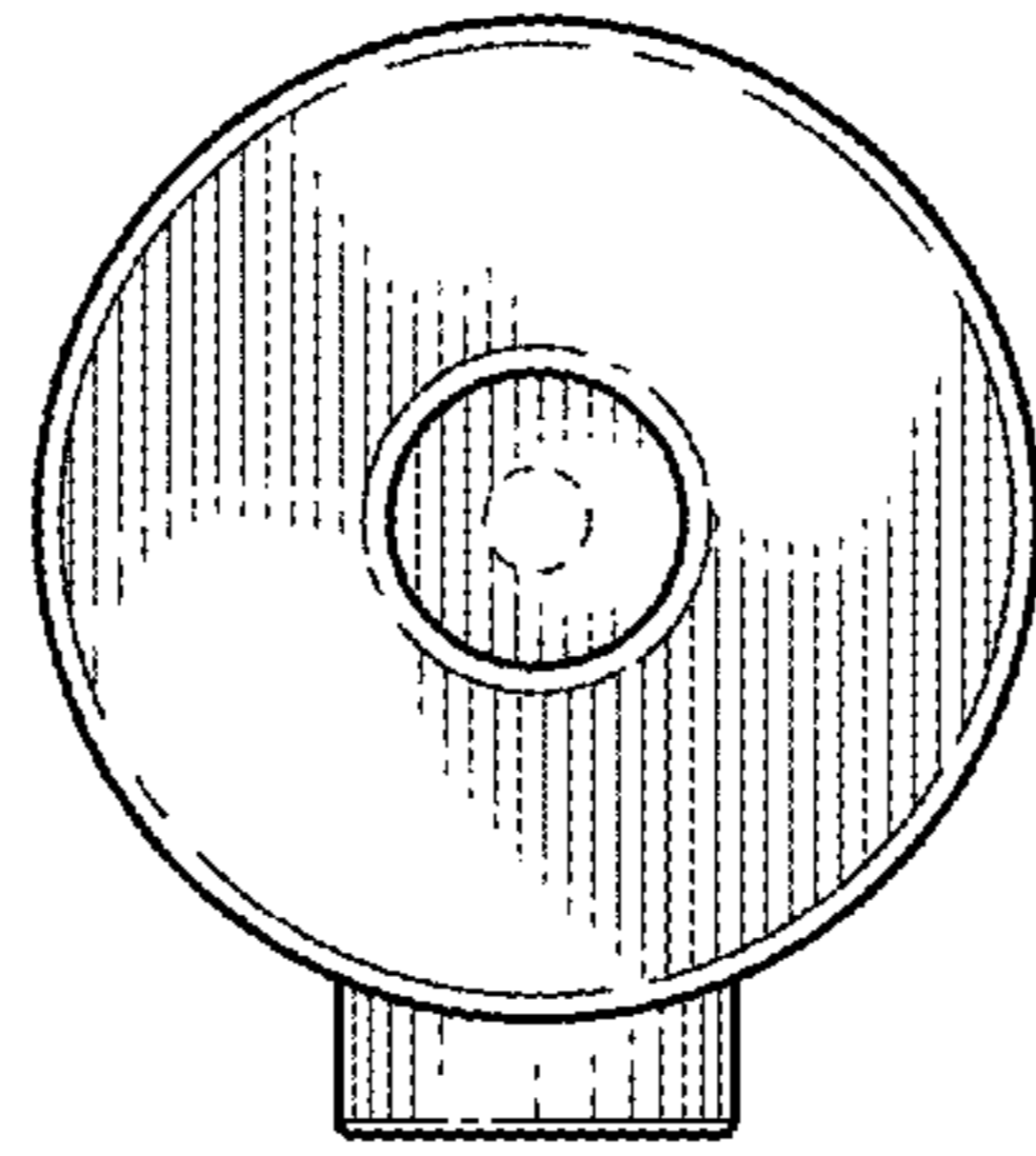


FIG. 2

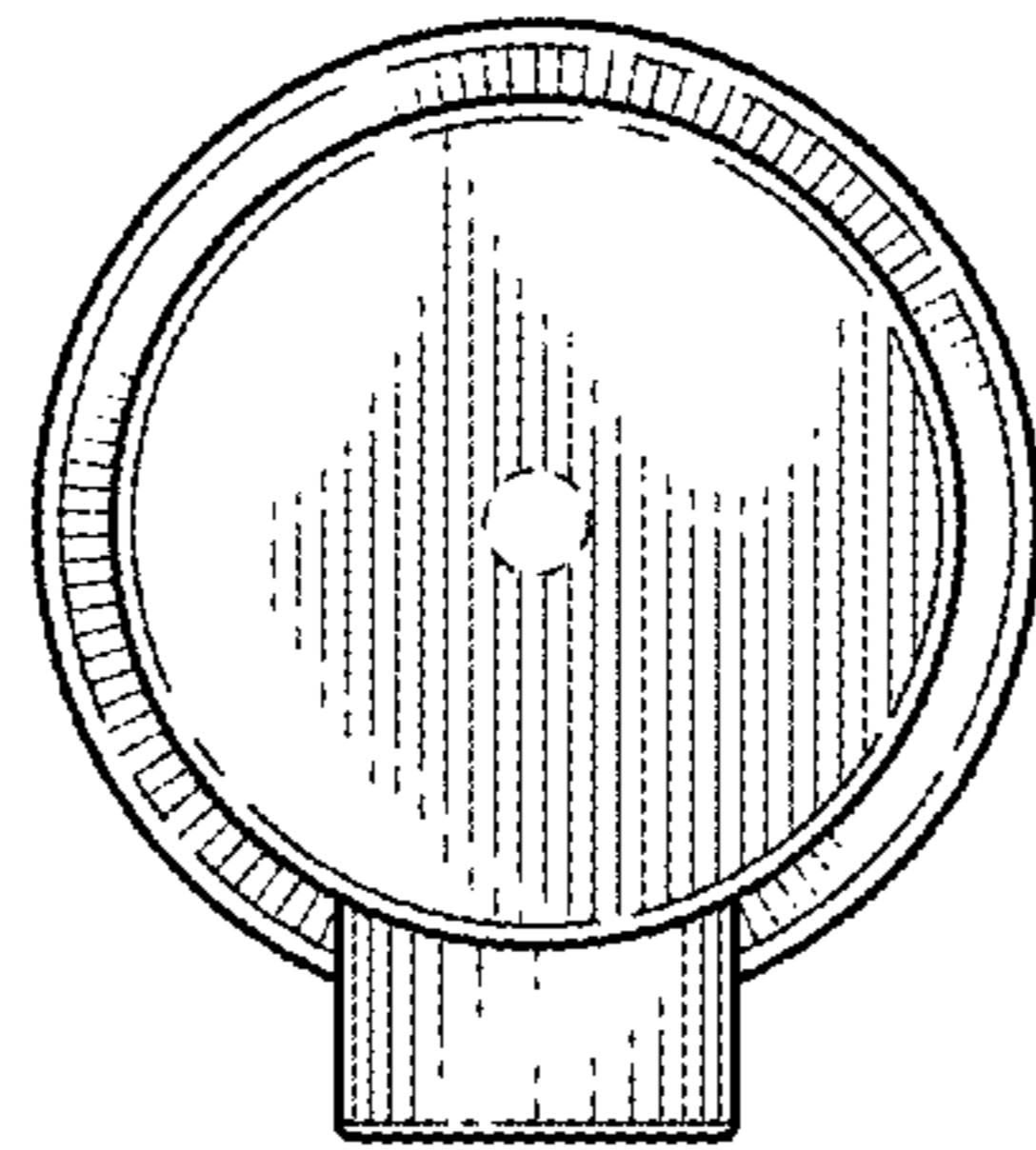


FIG. 3

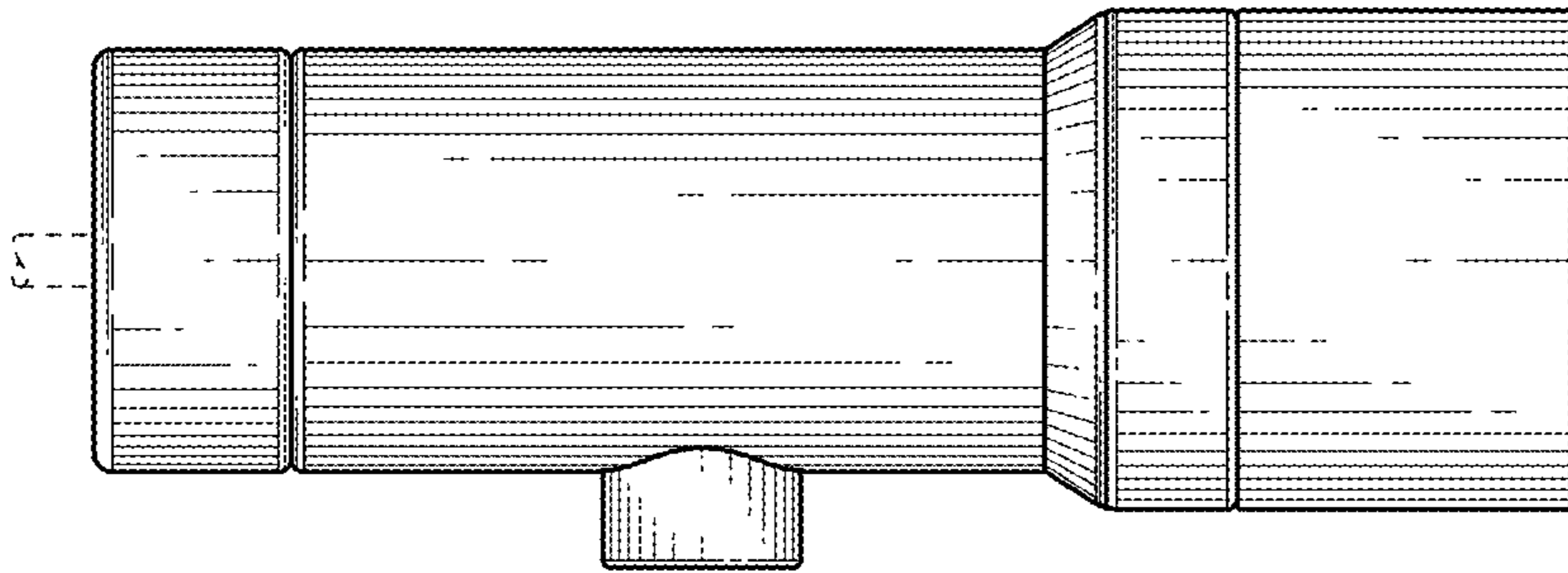


FIG. 4

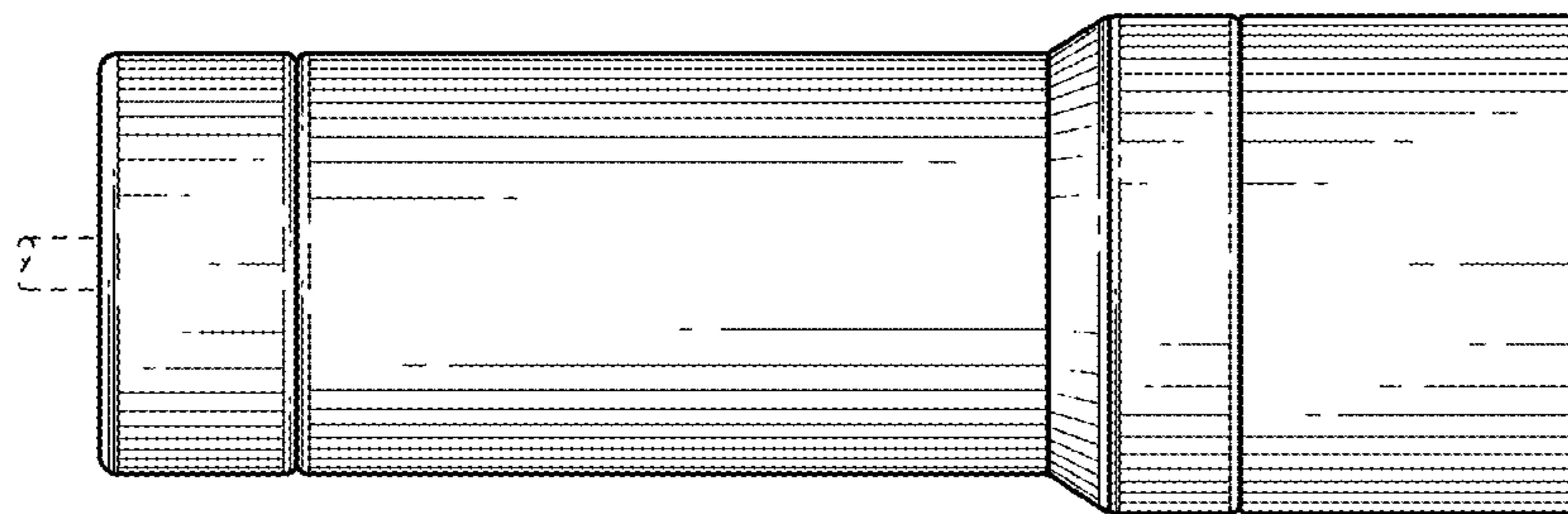


FIG. 5

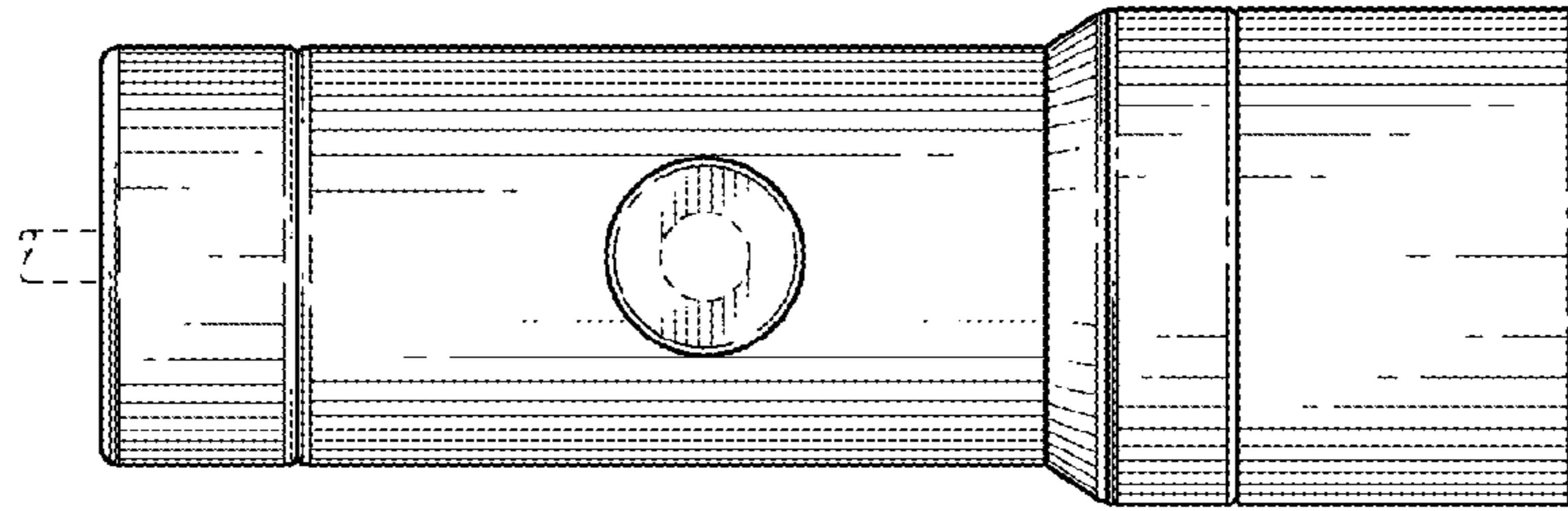


FIG. 6

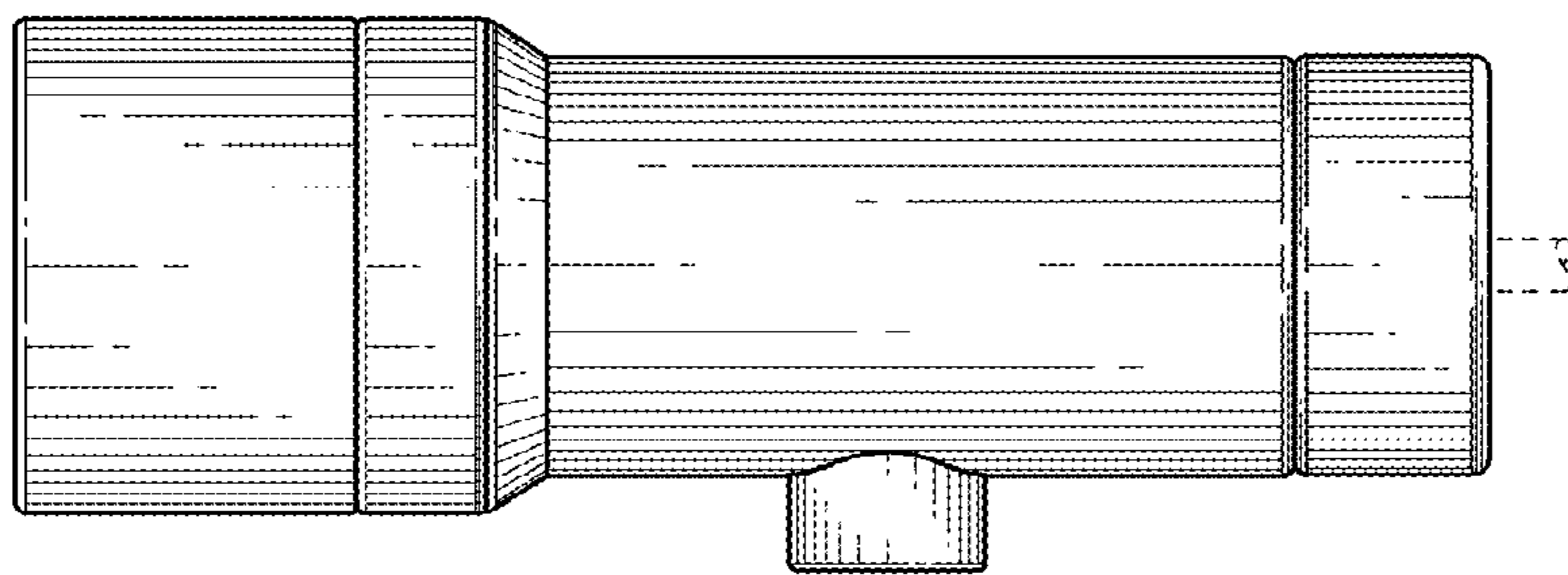


FIG. 7