



US00D744680S

(12) **United States Design Patent**
Ma

(10) **Patent No.:** **US D744,680 S**
(45) **Date of Patent:** **** Dec. 1, 2015**

(54) **LIGHTING DEVICE**

FOREIGN PATENT DOCUMENTS

(71) Applicant: **Energizer Brands, LLC**
(72) Inventor: **Lai King Ma**, Ma On Sha (HK)
(73) Assignee: **Energizer Brands, LLC**, Saint Louis, MO (US)
(**) Term: **14 Years**

CN 3253846 9/2002
CN 3323171 9/2003

(Continued)

Primary Examiner — Ian Simmons
Assistant Examiner — Carissa C Fitts
(74) *Attorney, Agent, or Firm* — McDonald Hopkins LLC

(21) Appl. No.: **29/480,876**
(22) Filed: **Jan. 30, 2014**
(51) **LOC (10) Cl.** **26-02**
(52) **U.S. Cl.**
USPC **D26/41**
(58) **Field of Classification Search**
USPC D26/37, 38, 40–44, 49; 362/157, 158,
362/183, 184, 194–196, 200–208, 174, 253
CPC F21V 33/00; F21V 14/025; F21V 21/406;
F21Y 2101/02; F21L 2003/00; F21L 2005/00;
F21L 2/00; F21L 4/00; F21L 4/005; F21L
17/00; F21L 13/08
See application file for complete search history.

(57) **CLAIM**

I claim the ornamental design for a lighting device, as shown and described.

DESCRIPTION

FIG. 1 is a top left front perspective view of the design in a retracted configuration;
FIG. 2 is a bottom left front perspective view of the design in a retracted configuration;
FIG. 3 is a front view of the design in a retracted configuration;
FIG. 4 is a rear view of the design in a retracted configuration;
FIG. 5 is a right side view of the design in a retracted configuration;
FIG. 6 is a left side view of the design in a retracted configuration;
FIG. 7 is a top view of the design in a retracted configuration;
FIG. 8 is a bottom view of the design;
FIG. 9 is a top right front perspective view of the design in an extended configuration; and,
FIG. 10 is a front view of the design in an extended configuration.

The dot dash broken lines immediately adjacent the shaded areas represent the bounds of the claimed design while all other broken lines represent portions of the article not claimed; the broken lines form no part of the claimed design.

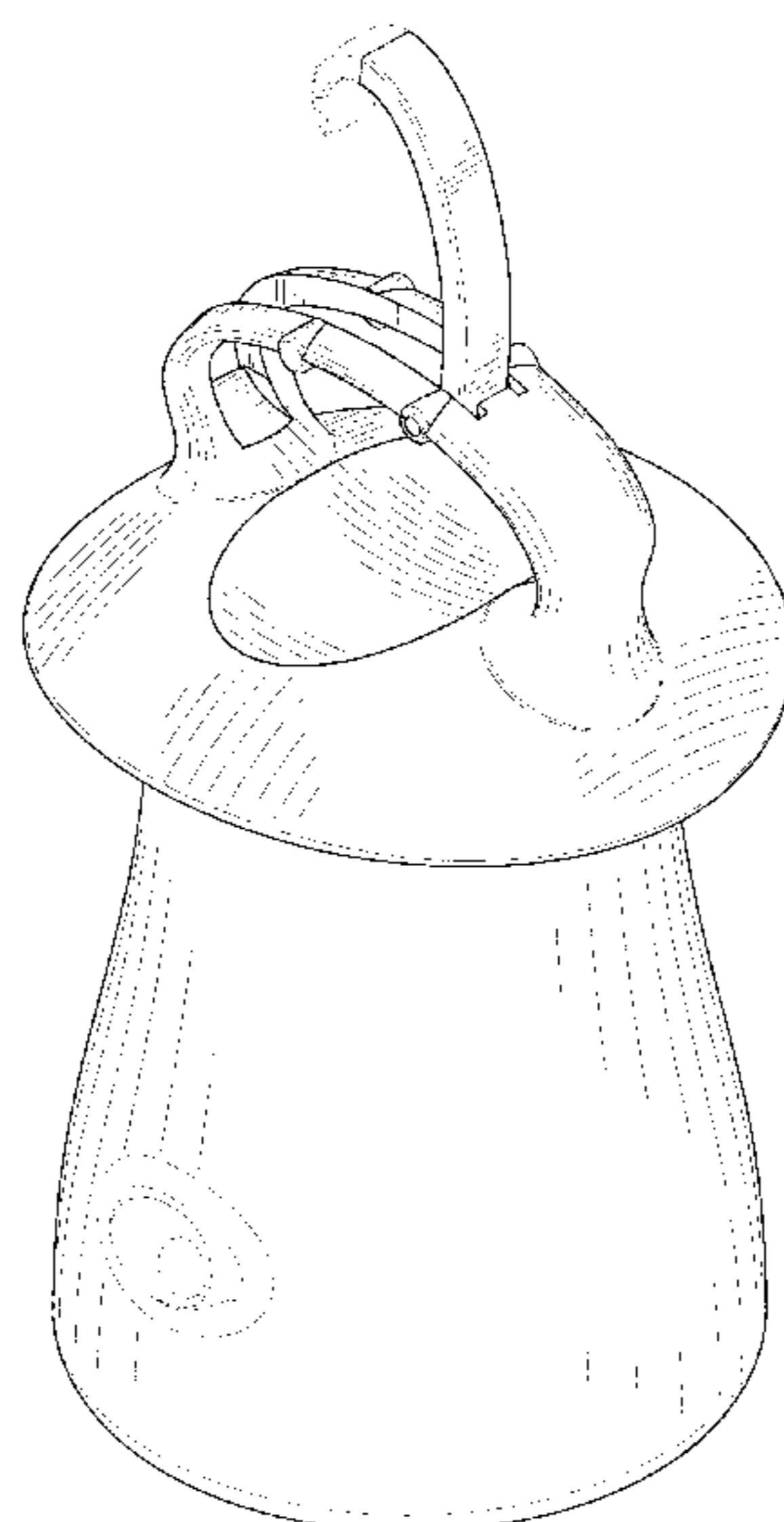
(56) **References Cited**

U.S. PATENT DOCUMENTS

D216,736 S * 3/1970 Zedlar D26/41
D422,105 S 3/2000 Poon
D422,725 S * 4/2000 Leonard D26/37
D424,726 S 5/2000 Petterson et al.
D429,354 S 8/2000 Petterson
D509,921 S 9/2005 Lam
D513,336 S 12/2005 Kung
D519,658 S * 4/2006 Izardel D26/40
D524,968 S 7/2006 Poon
D546,991 S 7/2007 Poon
D556,928 S 12/2007 Poon
D576,329 S 9/2008 Poon
D608,036 S * 1/2010 Lee D26/40

(Continued)

1 Claim, 10 Drawing Sheets



(56)

References Cited

U.S. PATENT DOCUMENTS

D650,105 S * 12/2011 Crawford et al. D26/41
 D689,224 S * 9/2013 Fradkina et al. D26/40
 D693,499 S * 11/2013 Bennett et al. D26/37
 D698,953 S * 2/2014 Hinzmann D26/37
 D711,572 S * 8/2014 Kwon et al. D26/37
 D718,480 S * 11/2014 Lee D26/41

FOREIGN PATENT DOCUMENTS

CN 3347695 1/2004
 CN 3503471 2/2006
 CN 3629466 4/2007
 CN 2919771 U 7/2007
 CN 300748790 2/2008
 CN 300779663 5/2008
 CN 201141517 U 10/2008

CN 301221260 5/2010
 CN 301239393 5/2010
 CN 301357826 9/2010
 CN 301357828 9/2010
 CN 301386660 11/2010
 CN 301395901 11/2010
 CN 301516426 4/2011
 CN 301878528 4/2012
 CN 302177708 11/2012
 CN 302177709 11/2012
 CN 202901852 U 4/2013
 CN 202901861 U 4/2013
 CN 202938036 U 5/2013
 CN 302528388 8/2013
 EM 0002382410001 9/2004
 EM 0002117430004 7/2009
 EM 0017338820001 7/2010
 JP D1293084 1/2007
 JP D1293085 1/2007

* cited by examiner

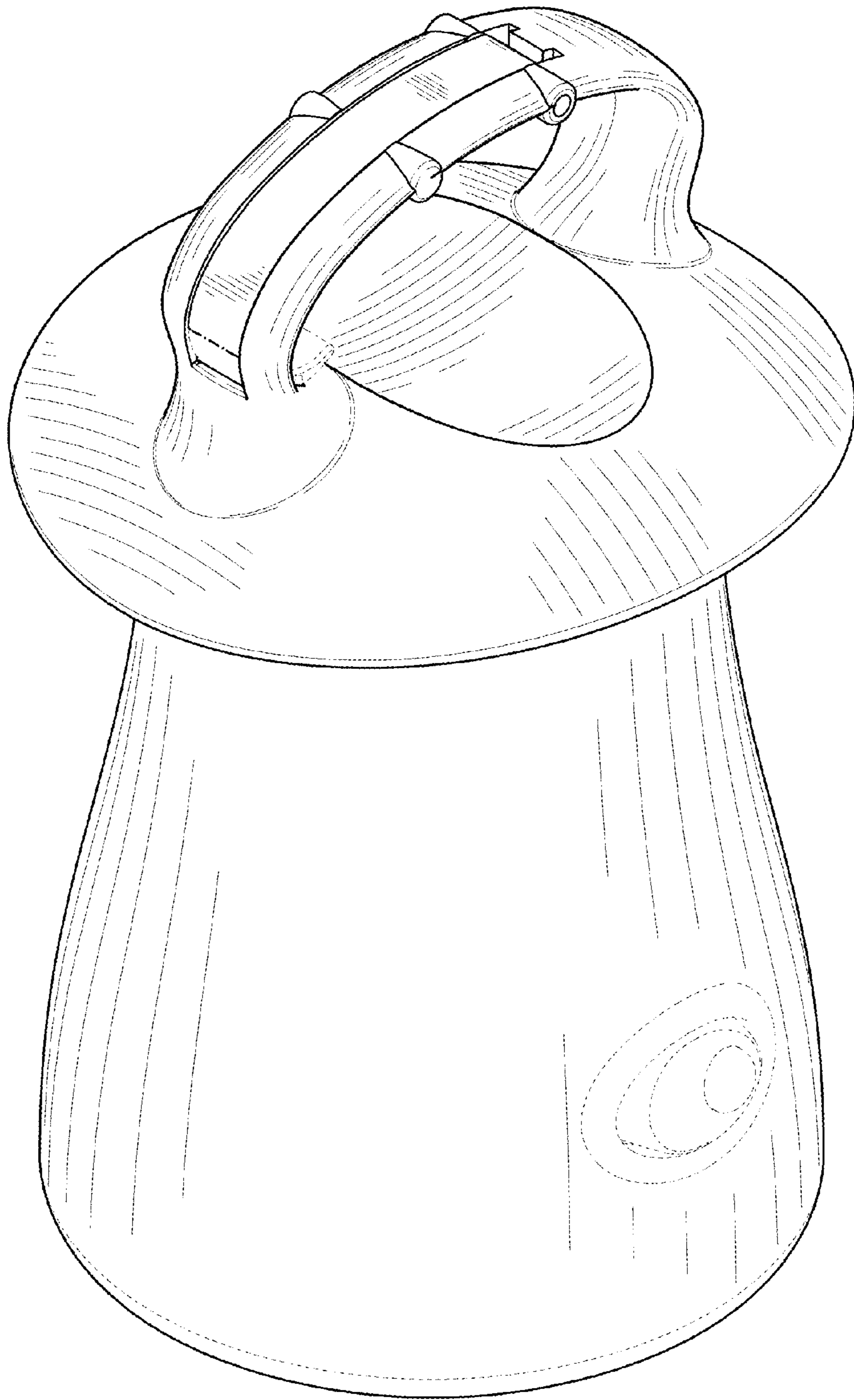


Fig. 1

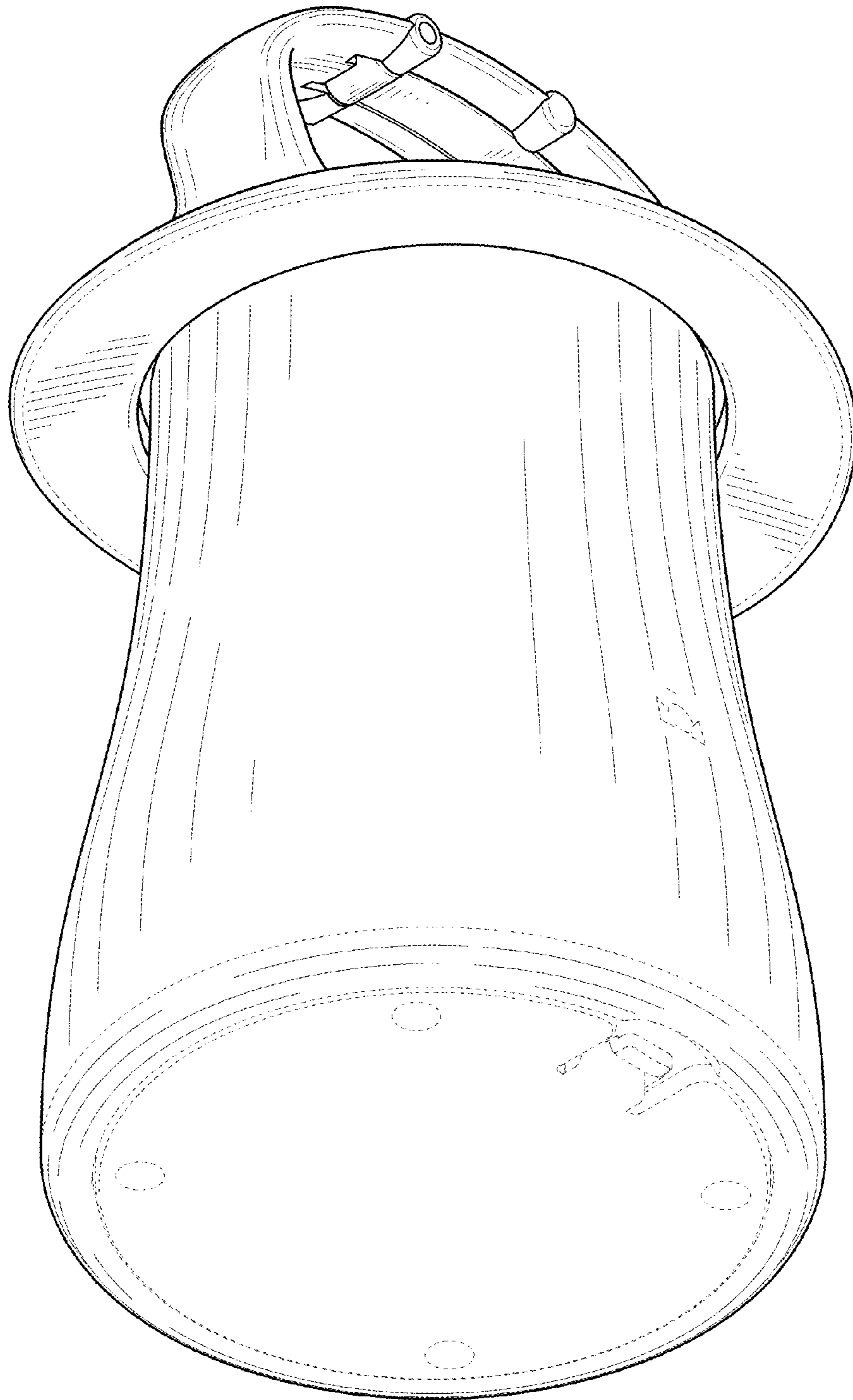


Fig. 2

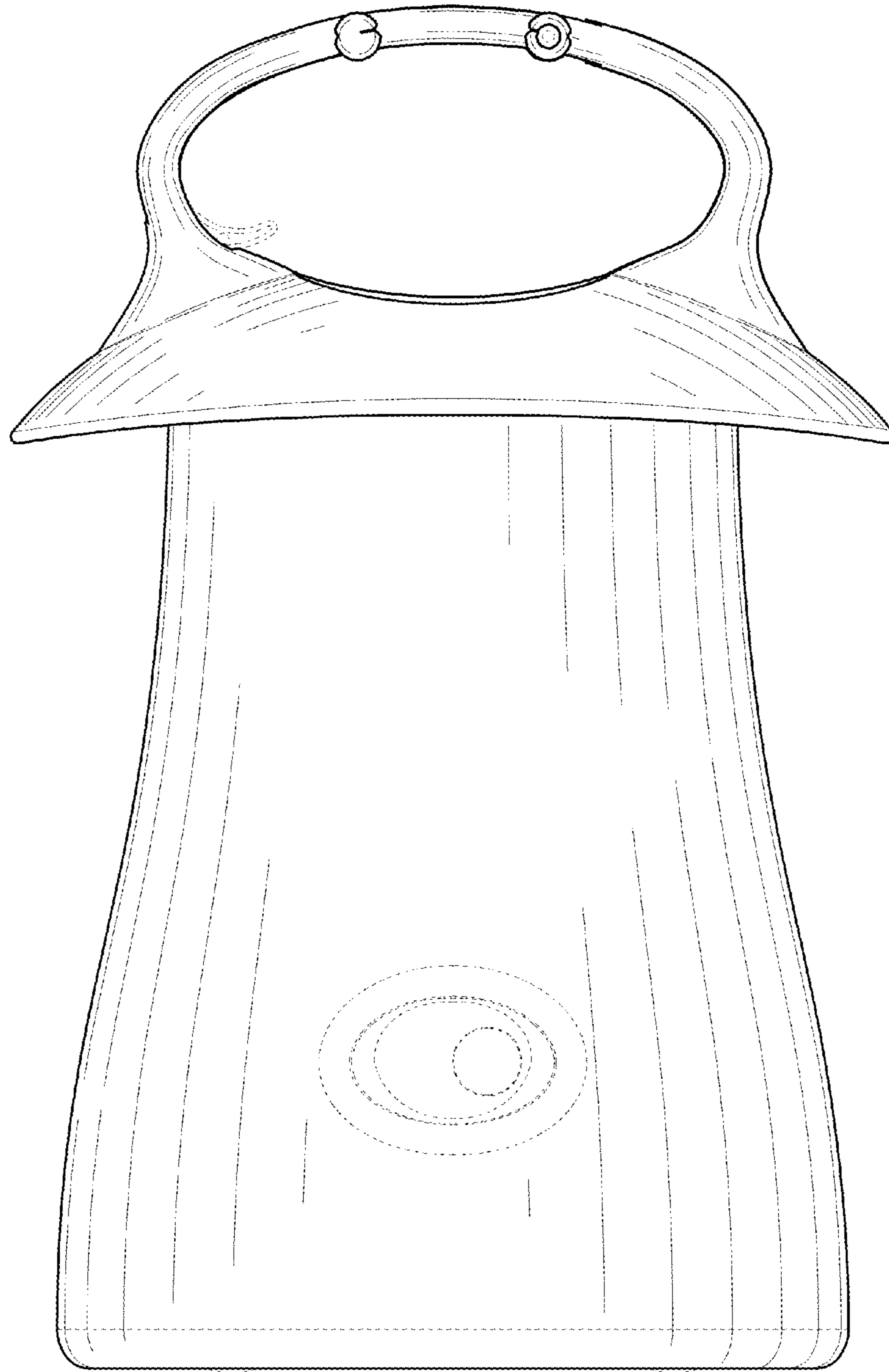


Fig. 3

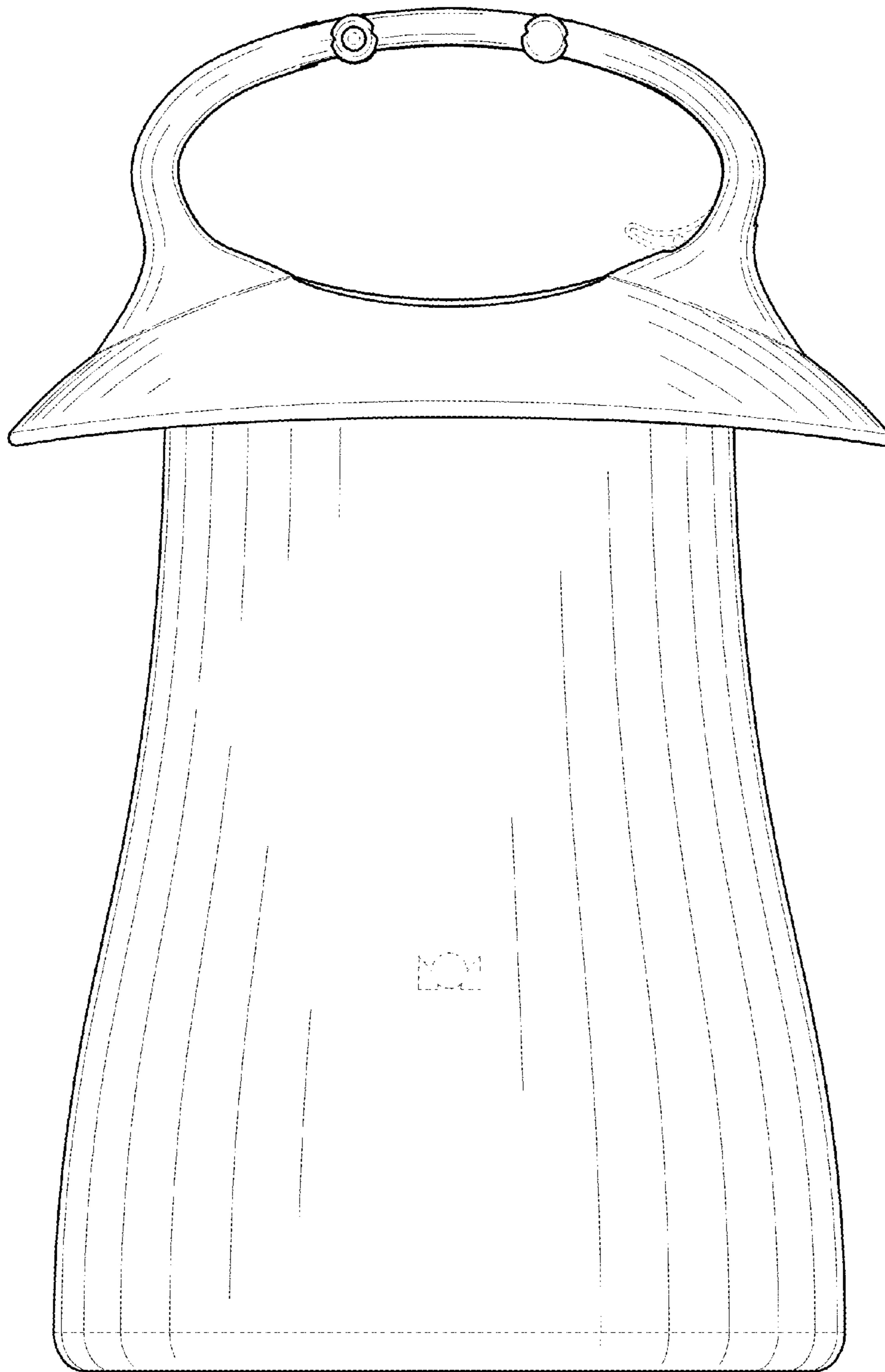


Fig. 4

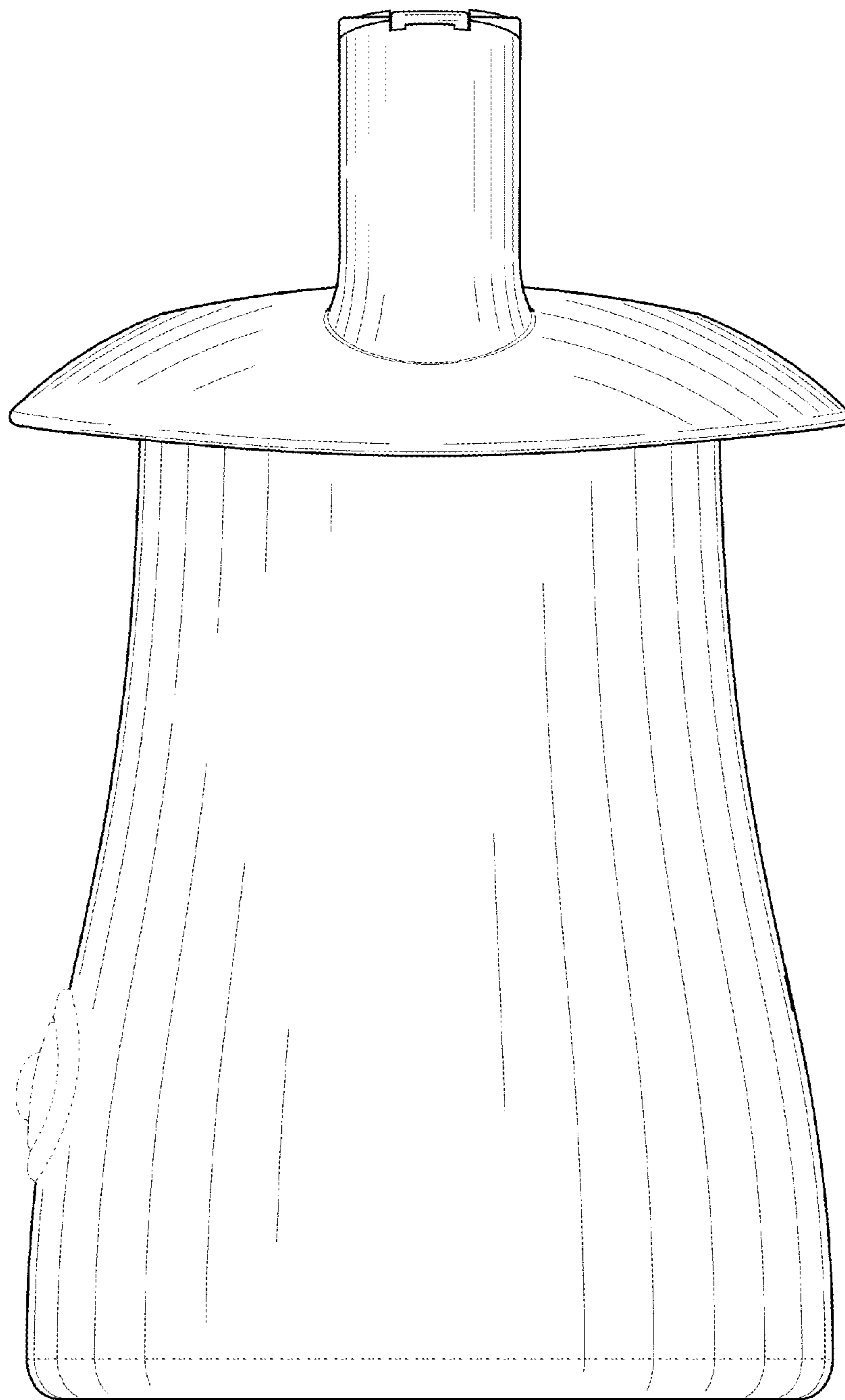


Fig. 5

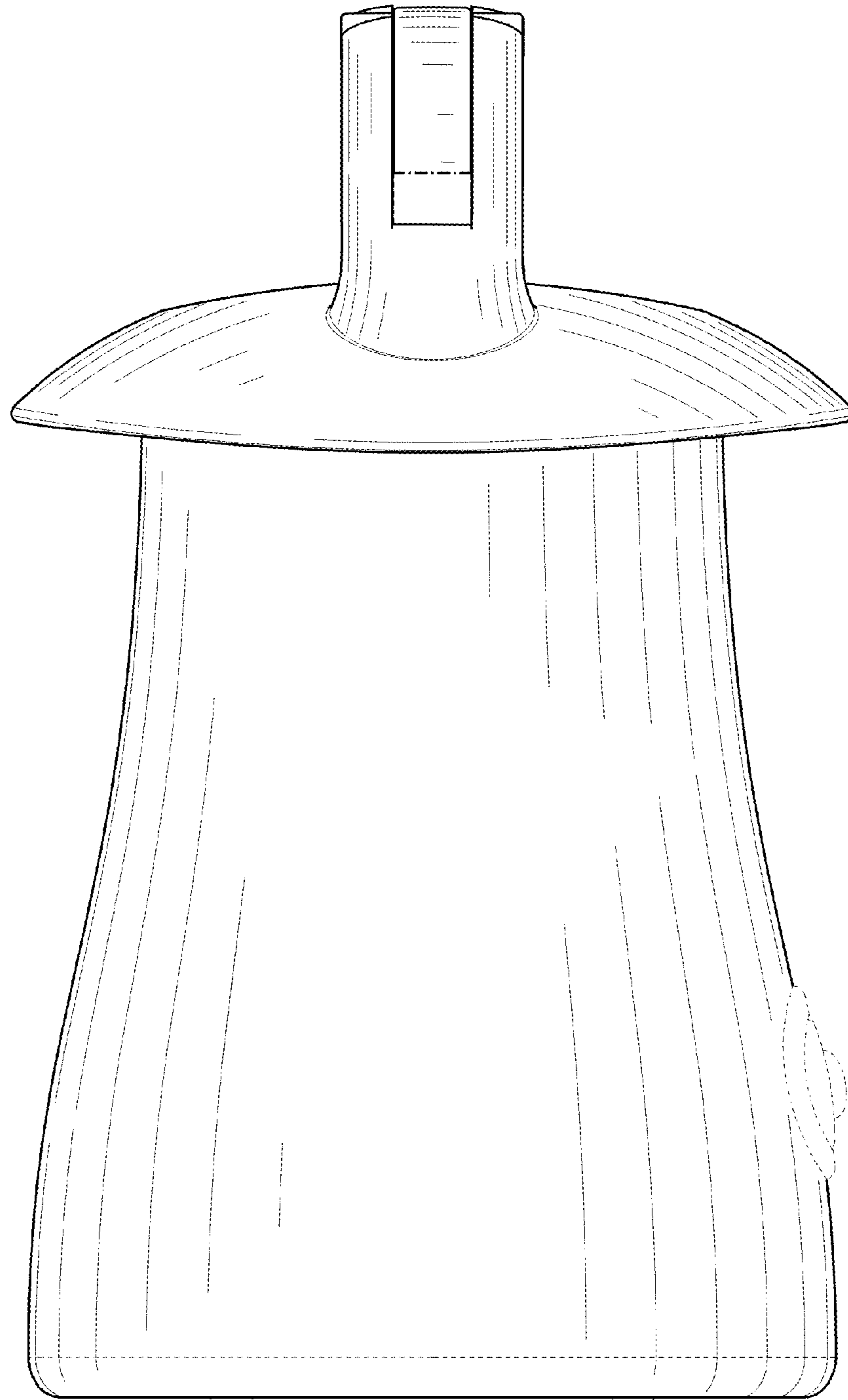


Fig. 6

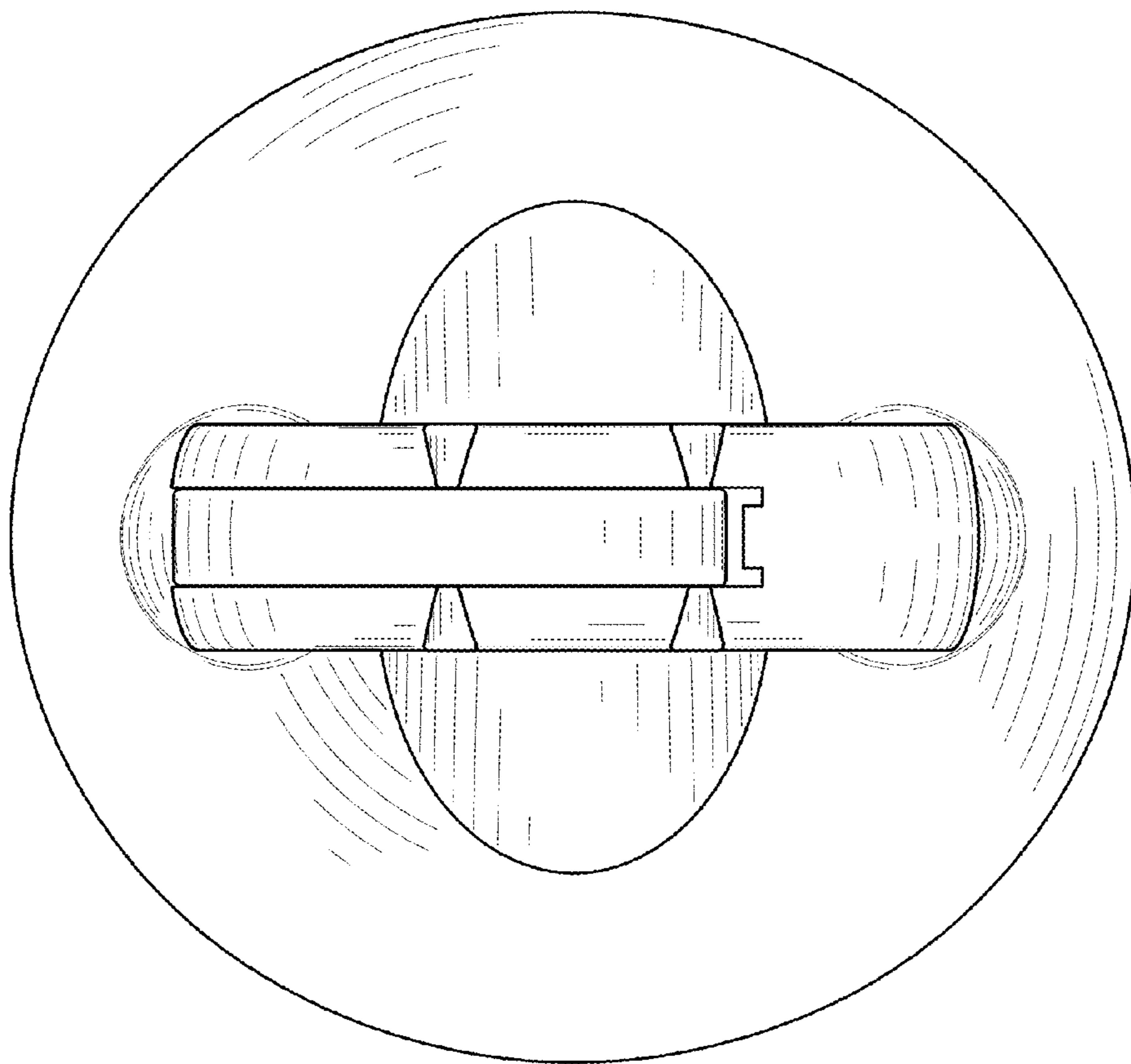


Fig. 7

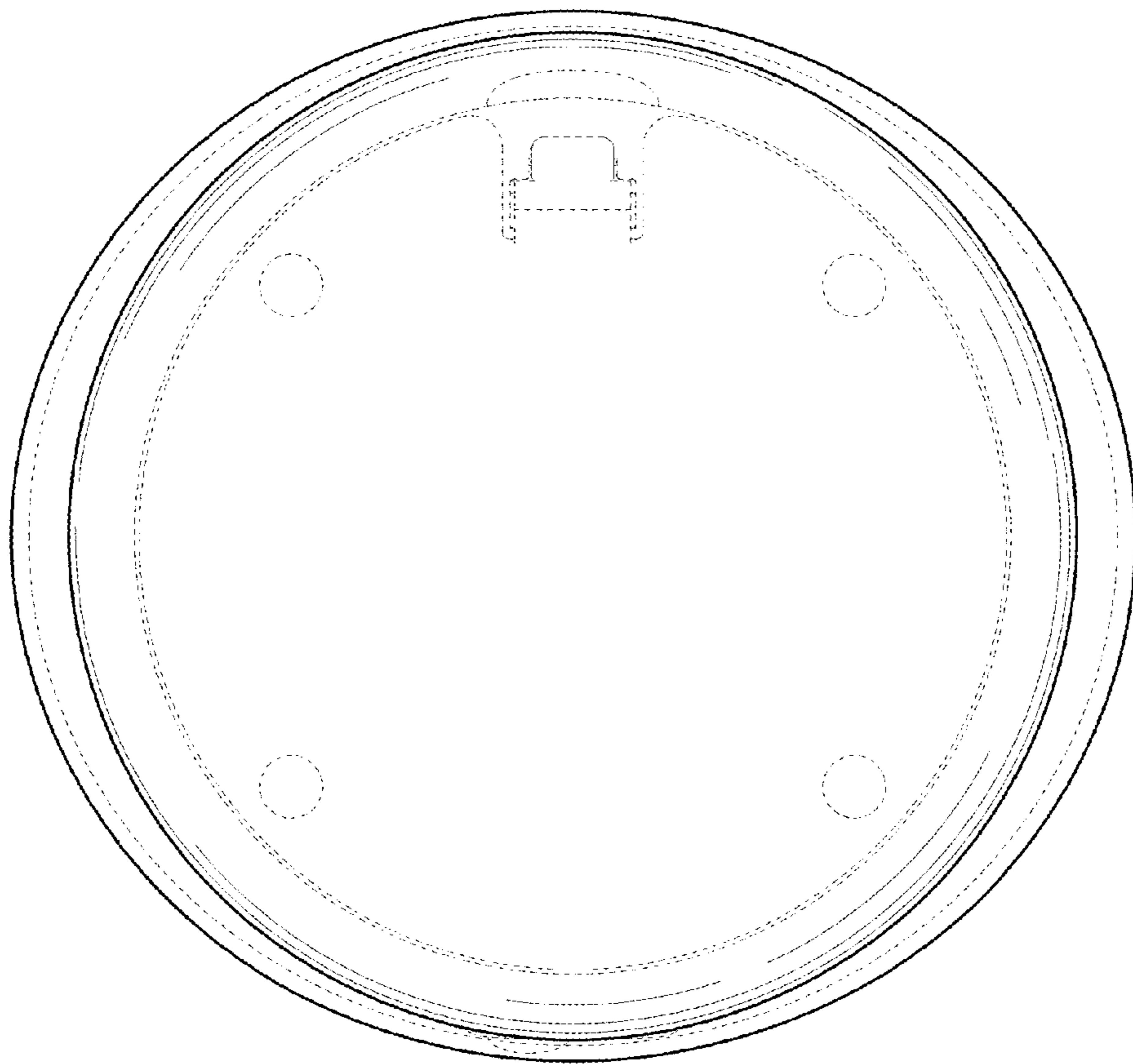


Fig. 8

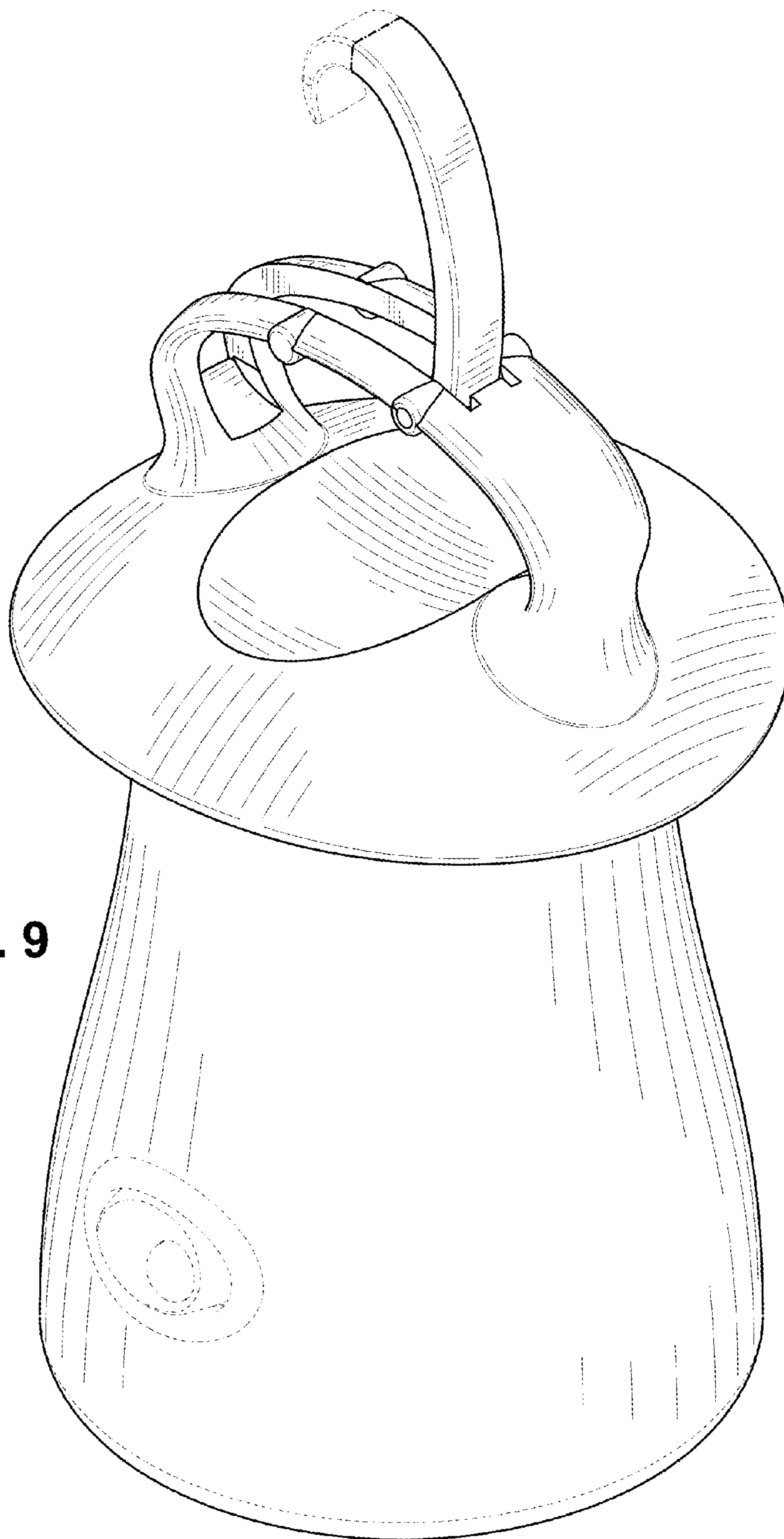


Fig. 9

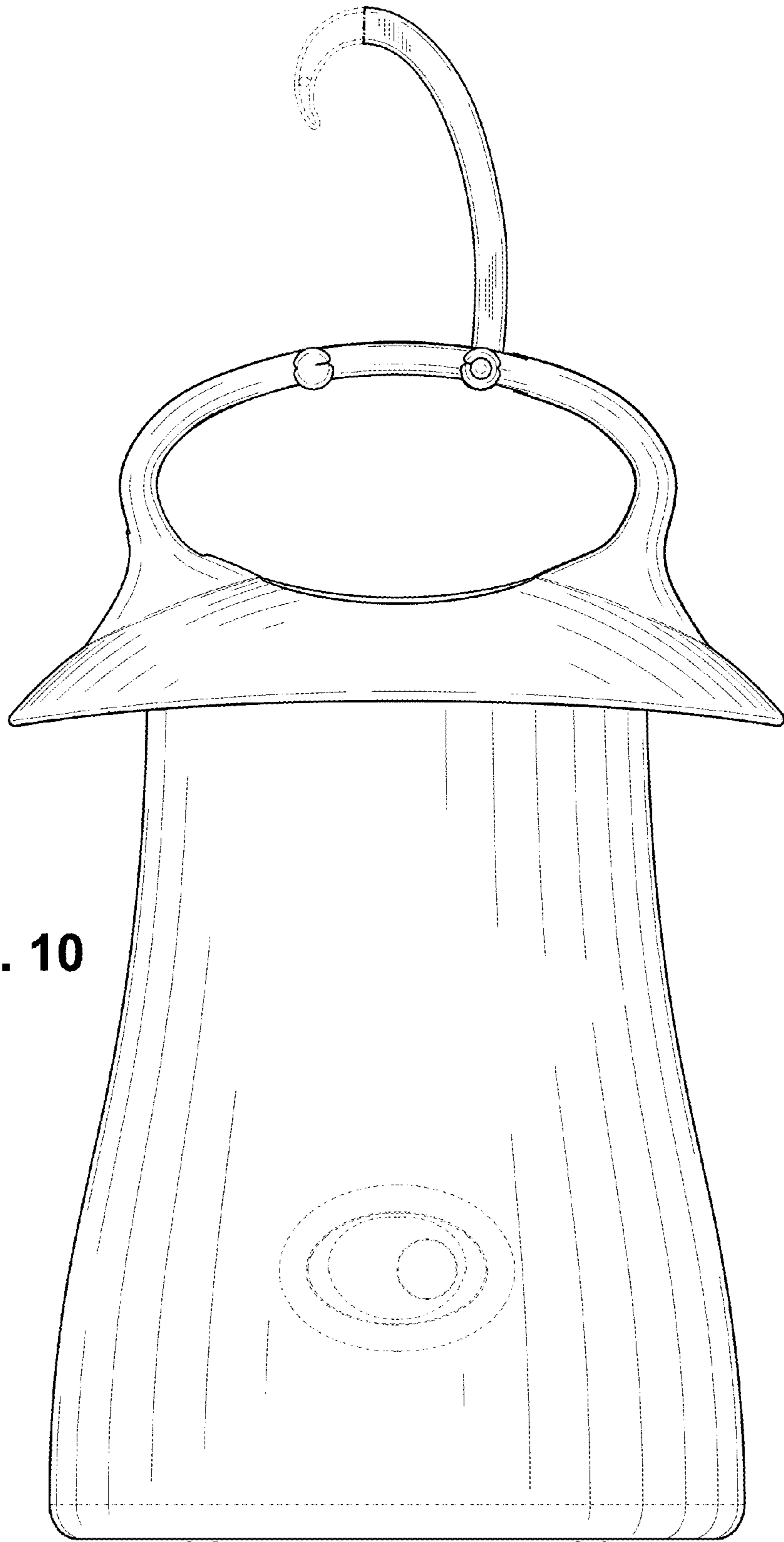


Fig. 10