



US00D744676S

(12) **United States Design Patent**
Lai

(10) **Patent No.:** **US D744,676 S**

(45) **Date of Patent:** **** Dec. 1, 2015**

(54) **FRONT LIGHT FOR AN AUTOMOBILE**

(71) Applicant: **Ching-Tsung Lai**, Tainan (TW)

(72) Inventor: **Ching-Tsung Lai**, Tainan (TW)

(**) Term: **14 Years**

(21) Appl. No.: **29/509,349**

(22) Filed: **Nov. 17, 2014**

(51) **LOC (10) Cl.** **26-06**

(52) **U.S. Cl.**
USPC **D26/28**

(58) **Field of Classification Search**
USPC D26/28-36; 362/459-468, 475-478,
362/485-487

CPC F21S 48/00; F21S 48/10; F21S 48/115;
F21S 48/225; F21S 48/1233; F21S 48/1266;
F21S 48/1388; F21S 48/2268; F21V 21/04
See application file for complete search history.

(56) **References Cited**

U.S. PATENT DOCUMENTS

D536,113 S * 1/2007 Pfeiffer D26/28
D542,442 S * 5/2007 Matsunami D26/28

D544,614 S * 6/2007 Markefka D26/28
D546,485 S * 7/2007 Bachynsky D26/28
D549,855 S * 8/2007 Moisy D26/28
D684,712 S * 6/2013 Frenzel D26/28

* cited by examiner

Primary Examiner — Marcus Jackson

(74) *Attorney, Agent, or Firm* — Alexander Chen, Esq.

(57) **CLAIM**

An ornamental design for an front light for an automobile, as shown and described.

DESCRIPTION

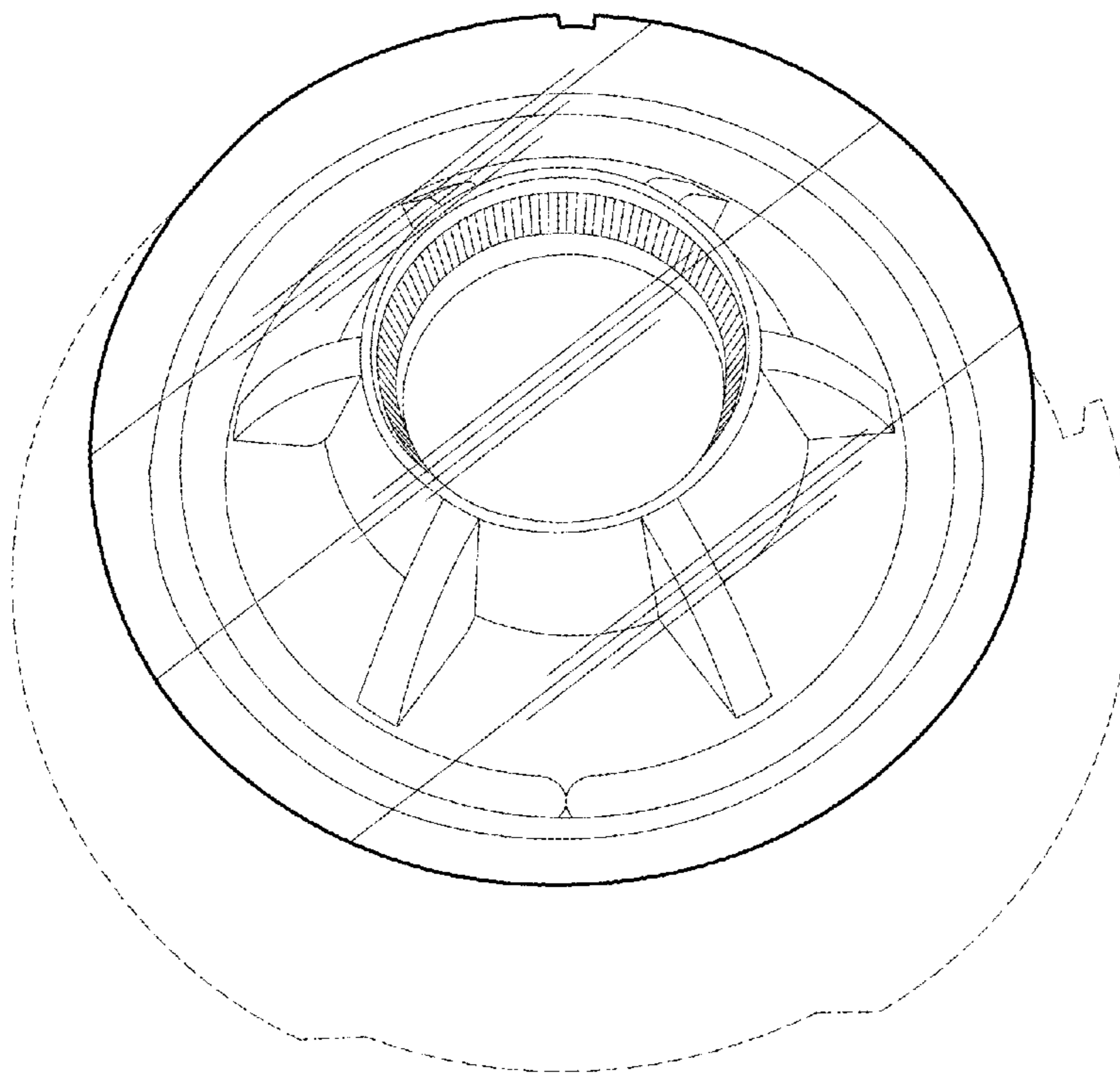
FIG. 1 is a perspective view of an automotive front light unit. The drawings and descriptions represent the right side embodiment. The design also contemplates a mirror symmetrical embodiment on the opposite side of the vehicle. The dash line included denotes environment and is not part of the claimed design.

FIG. 2 is a front view thereof;

FIG. 3 is a top view thereof; and,

FIG. 4 is a side view thereof.

1 Claim, 4 Drawing Sheets



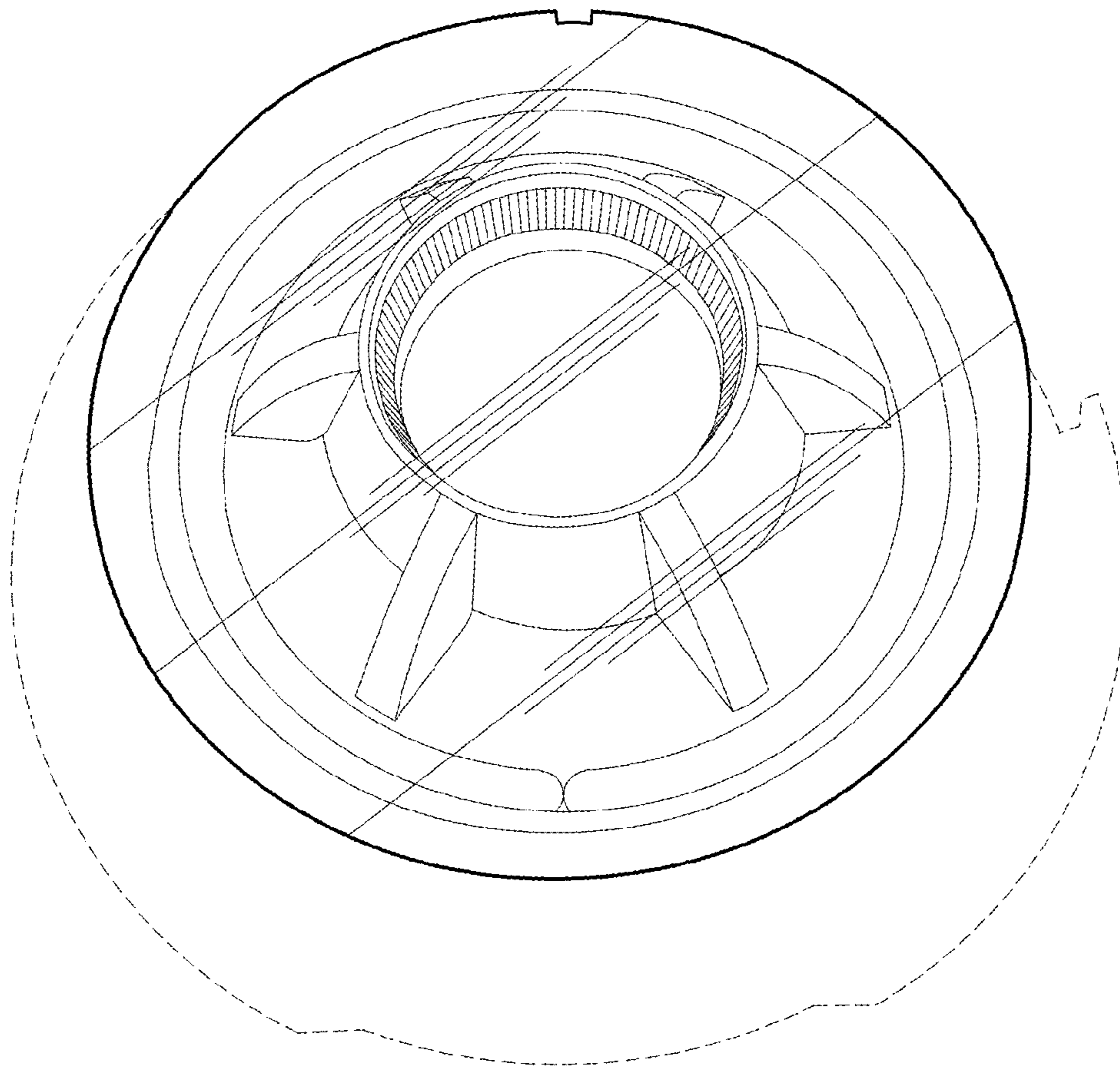


FIG. 1

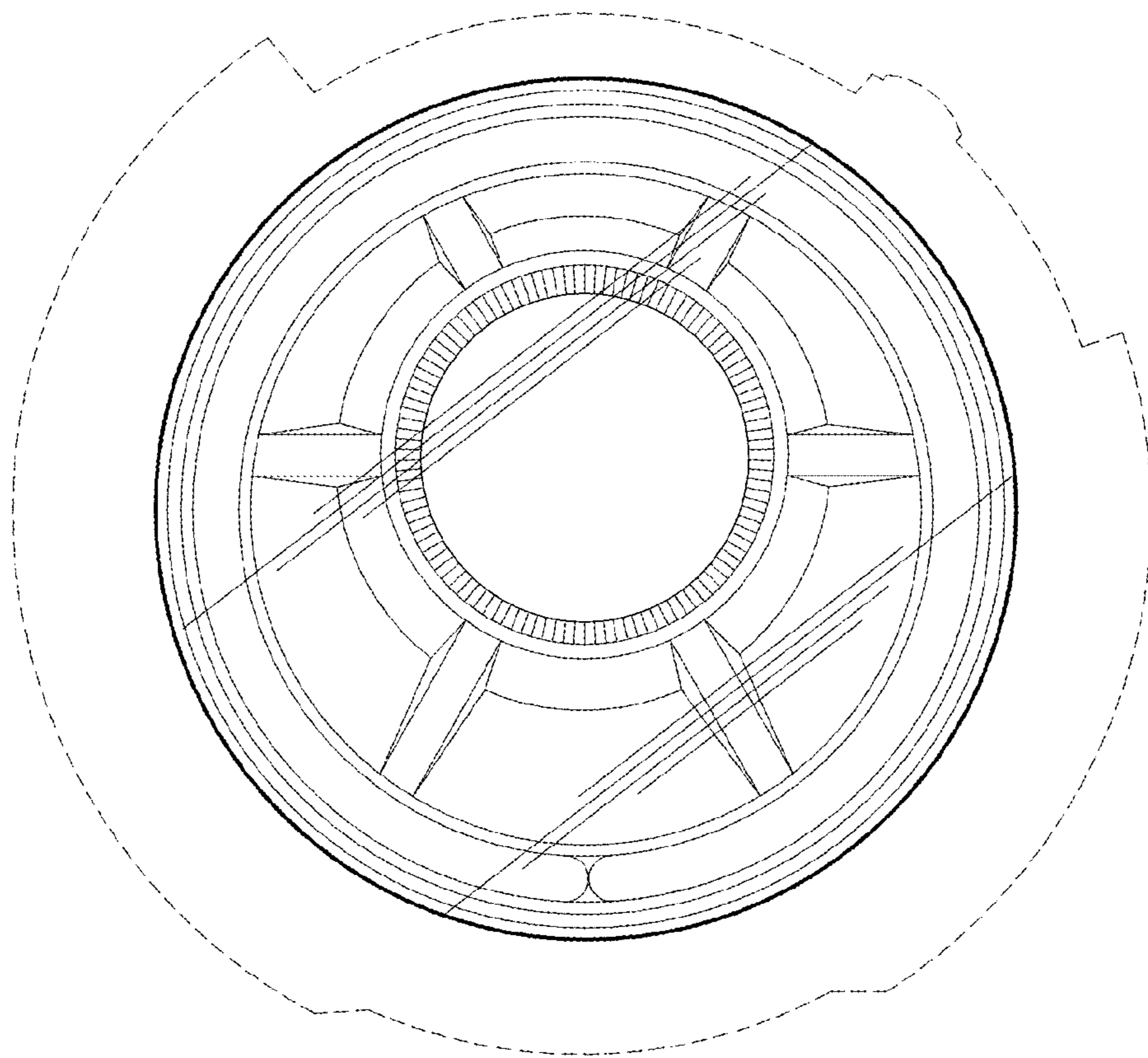


FIG. 2

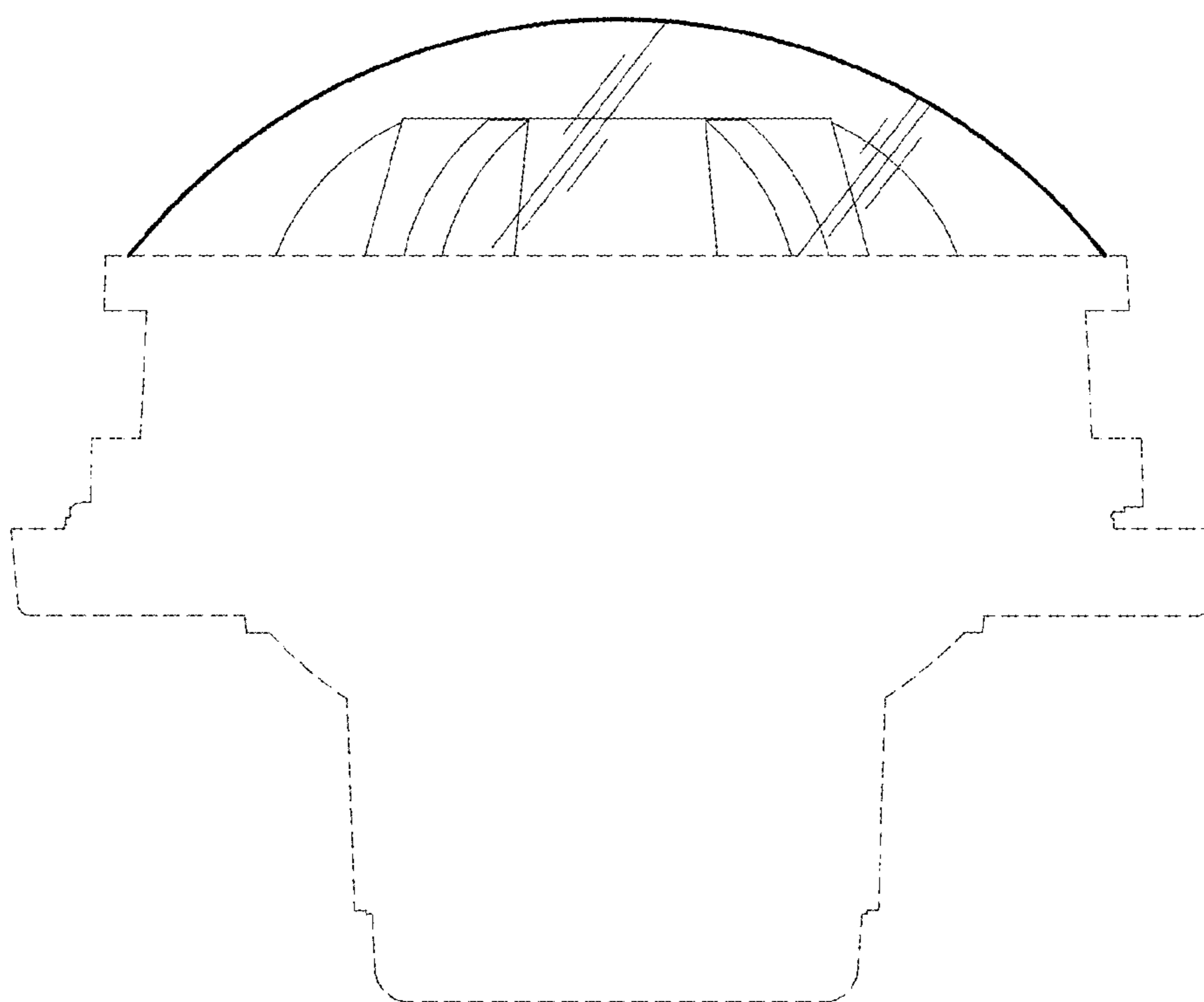


FIG. 3

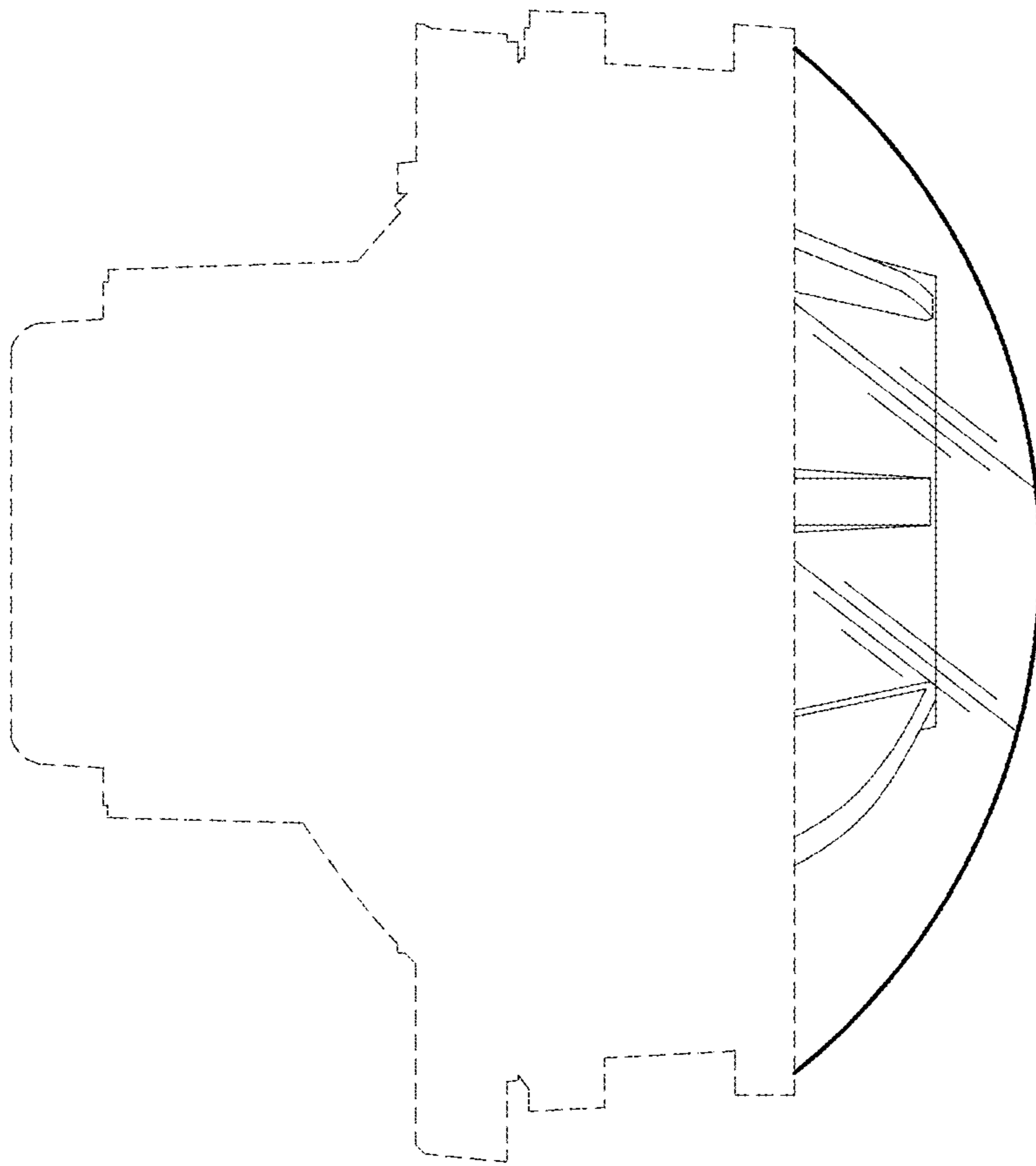


FIG. 4