



US00D744675S

(12) **United States Design Patent**  
**Schneider**

(10) **Patent No.:** **US D744,675 S**  
(45) **Date of Patent:** **\*\* Dec. 1, 2015**

- (54) **HEADLIGHT FOR A VEHICLE**
- (71) Applicant: **Bayerische Motoren Werke Aktiengesellschaft, Munich (DE)**
- (72) Inventor: **Alexander Schneider, Munich (DE)**
- (73) Assignee: **Bayerische Motoren Werke Aktiengesellschaft, Munich (DE)**
- (\*\*) Term: **14 Years**
- (21) Appl. No.: **29/489,240**
- (22) Filed: **Apr. 29, 2014**
- (30) **Foreign Application Priority Data**

- Oct. 31, 2013 (DE) ..... 40 2013 101 080
- (51) **LOC (10) Cl.** ..... **26-06**
- (52) **U.S. Cl.**  
USPC ..... **D26/28**
- (58) **Field of Classification Search**  
USPC ..... D26/28-36, 113, 118, 121, 138-140;  
362/362, 364-366, 368-373, 459-463,  
362/473-478, 485-487, 538, 539,  
362/546-549; D12/107, 110, 187-189  
CPC ..... B62J 6/02; B62J 6/04; B60Q 1/0047;  
B60Q 1/18; B60Q 1/2696; B60Q 1/46;  
F21S 48/1233; F21S 48/10; F21S 48/335;  
F21S 48/00; F21S 48/1258  
See application file for complete search history.

(56) **References Cited**

**U.S. PATENT DOCUMENTS**

- D490,172 S \* 5/2004 Yamamoto ..... D26/28
- D499,202 S \* 11/2004 Tsai ..... D26/139
- D510,636 S \* 10/2005 Yamamoto ..... D26/28
- D511,583 S \* 11/2005 Tanaka et al. .... D26/28
- D539,454 S \* 3/2007 Sasaki et al. .... D26/28
- D549,366 S \* 8/2007 Hovind et al. .... D26/28
- D561,363 S \* 2/2008 Hsu ..... D26/28

- D587,394 S \* 2/2009 Pickard et al. .... D26/118
- D600,838 S \* 9/2009 Kuboshima et al. .... D26/28
- D614,332 S \* 4/2010 Lamm et al. .... D26/28
- D617,017 S \* 6/2010 Grebert et al. .... D26/28
- D625,443 S \* 10/2010 Herbin et al. .... D26/28
- D653,370 S \* 1/2012 Grebert et al. .... D26/28
- D654,197 S \* 2/2012 Szews et al. .... D26/28
- D667,973 S 9/2012 Schneider
- D675,760 S 2/2013 Schneider
- D694,920 S \* 12/2013 Jurgens et al. .... D26/28
- D724,244 S \* 3/2015 Hayez et al. .... D26/28
- D724,255 S \* 3/2015 Herbin et al. .... D26/139
- D728,138 S \* 4/2015 Christ ..... D26/28
- 2014/0211491 A1 \* 7/2014 Harrington, Jr. .... 362/487

**FOREIGN PATENT DOCUMENTS**

WO DM/072780 6/2010

\* cited by examiner

*Primary Examiner* — Cynthia Ramirez  
*Assistant Examiner* — Llorellys Martinez-Rivera  
(74) *Attorney, Agent, or Firm* — Crowell & Moring LLP

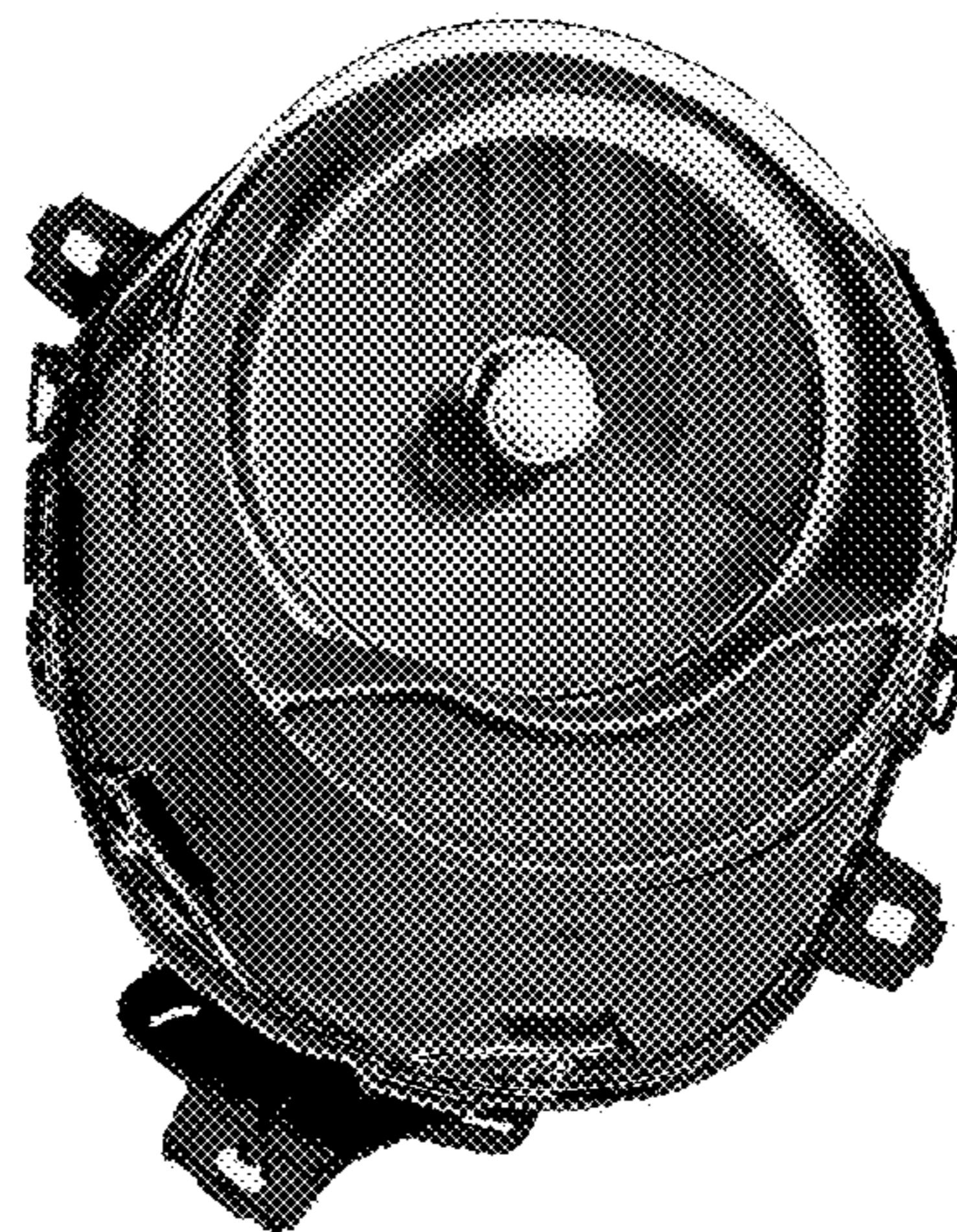
(57) **CLAIM**

The ornamental design for a headlight for a vehicle, as shown and described.

**DESCRIPTION**

This application contains subject matter related to the following co-pending U.S. design patent application: Application Ser. No. 29/489,250, filed herewith and entitled "Vehicle, Toy, and/or Replicas Thereof". FIG. 1 is a front view of a headlight for a vehicle showing my new design; FIG. 2 is a right perspective view thereof; FIG. 3 is a left perspective view thereof; FIG. 4 is a right side view thereof; FIG. 5 is a left side view thereof; FIG. 6 is a top view thereof; FIG. 7 is a bottom view thereof; and, FIG. 8 is a rear view thereof.

**1 Claim, 8 Drawing Sheets**



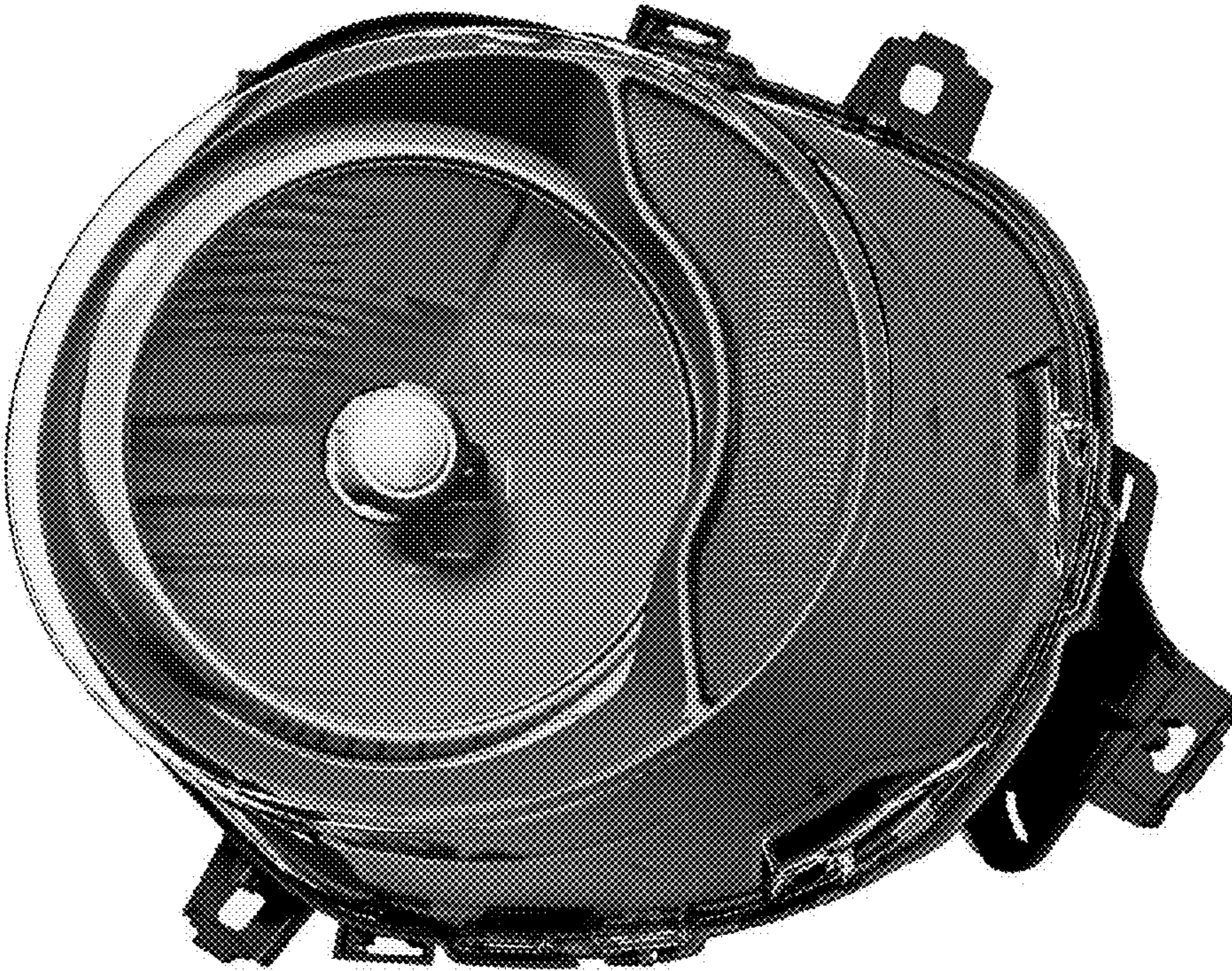


Fig. 1



Fig. 2

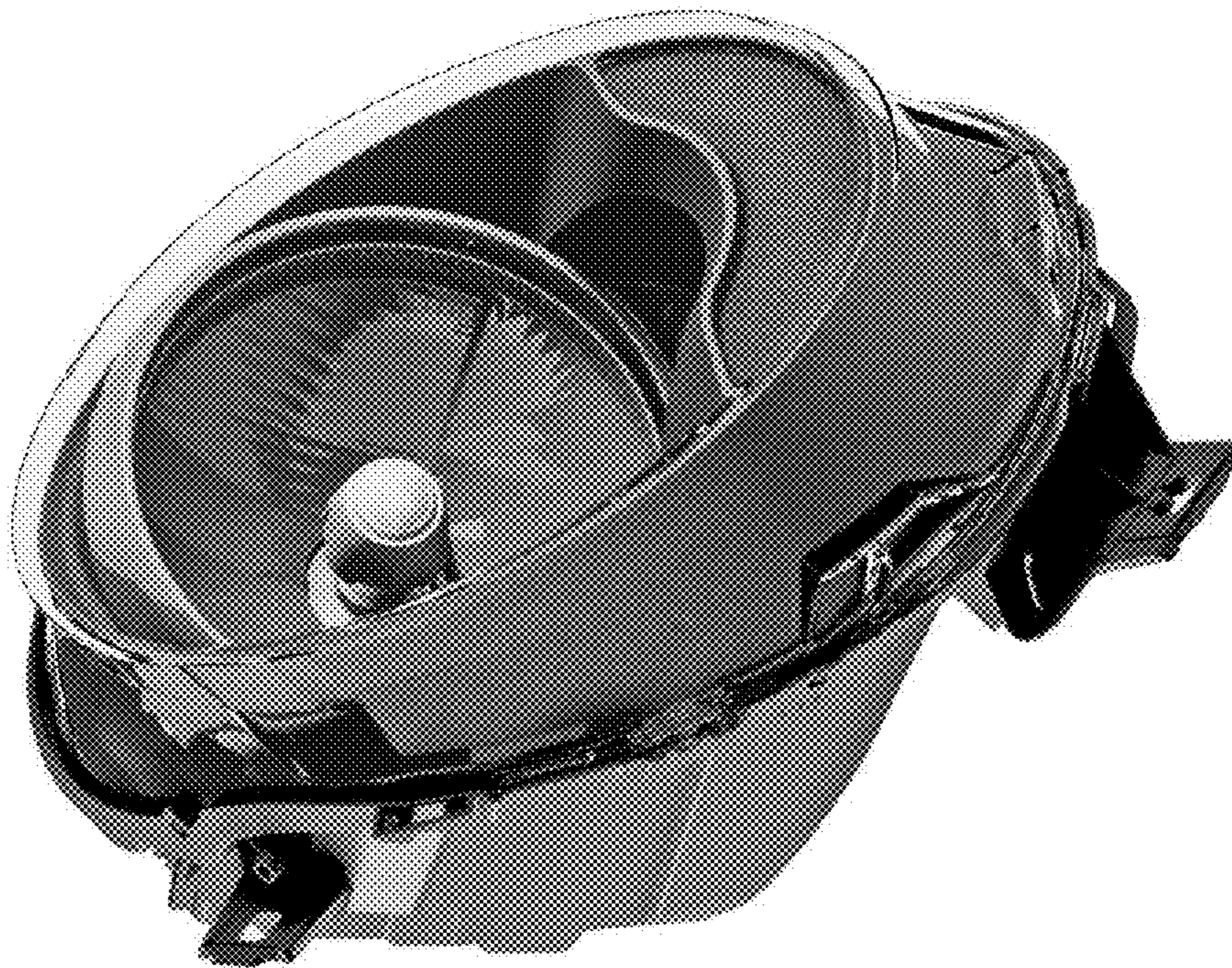


Fig. 3

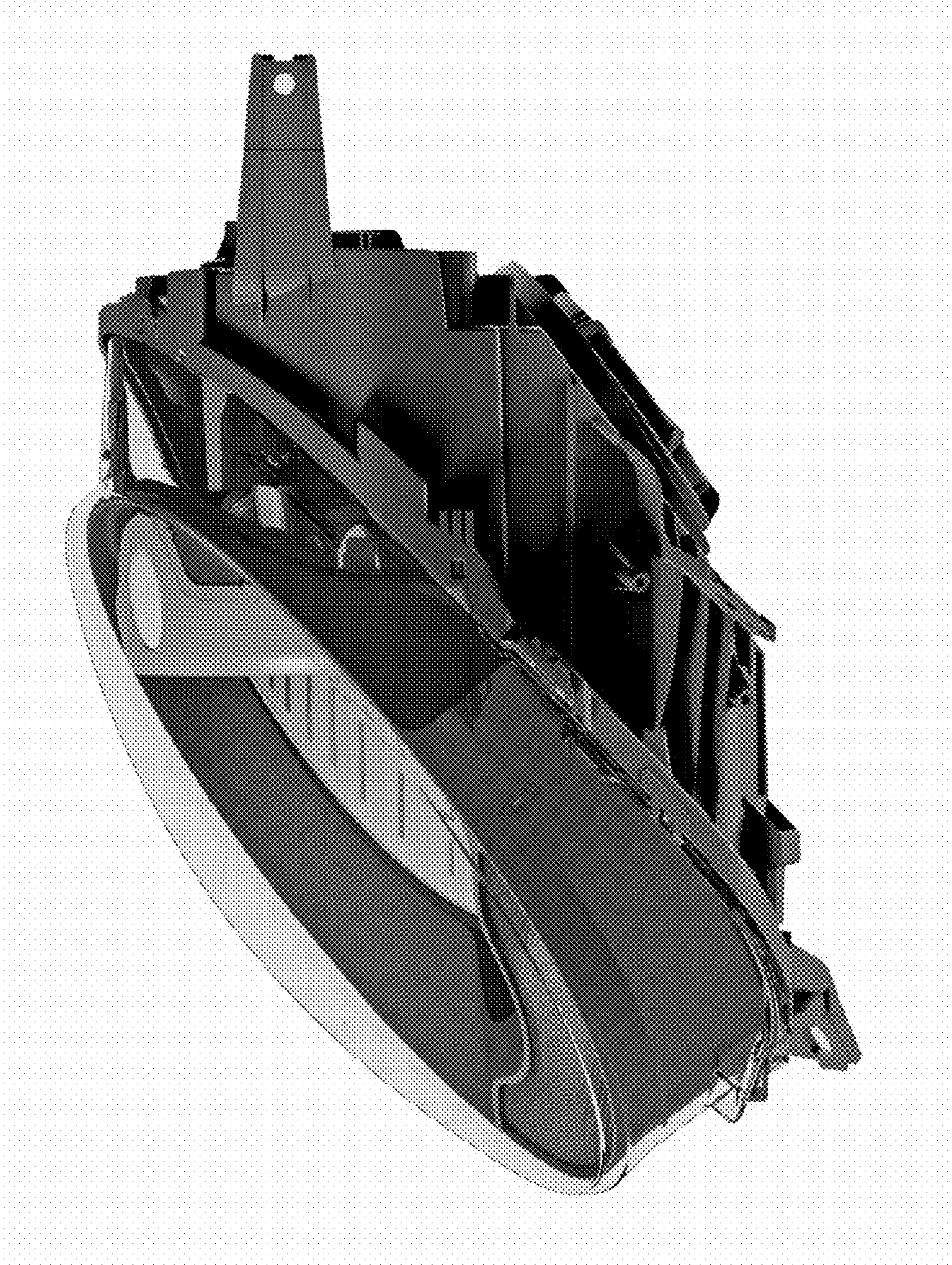


Fig. 4

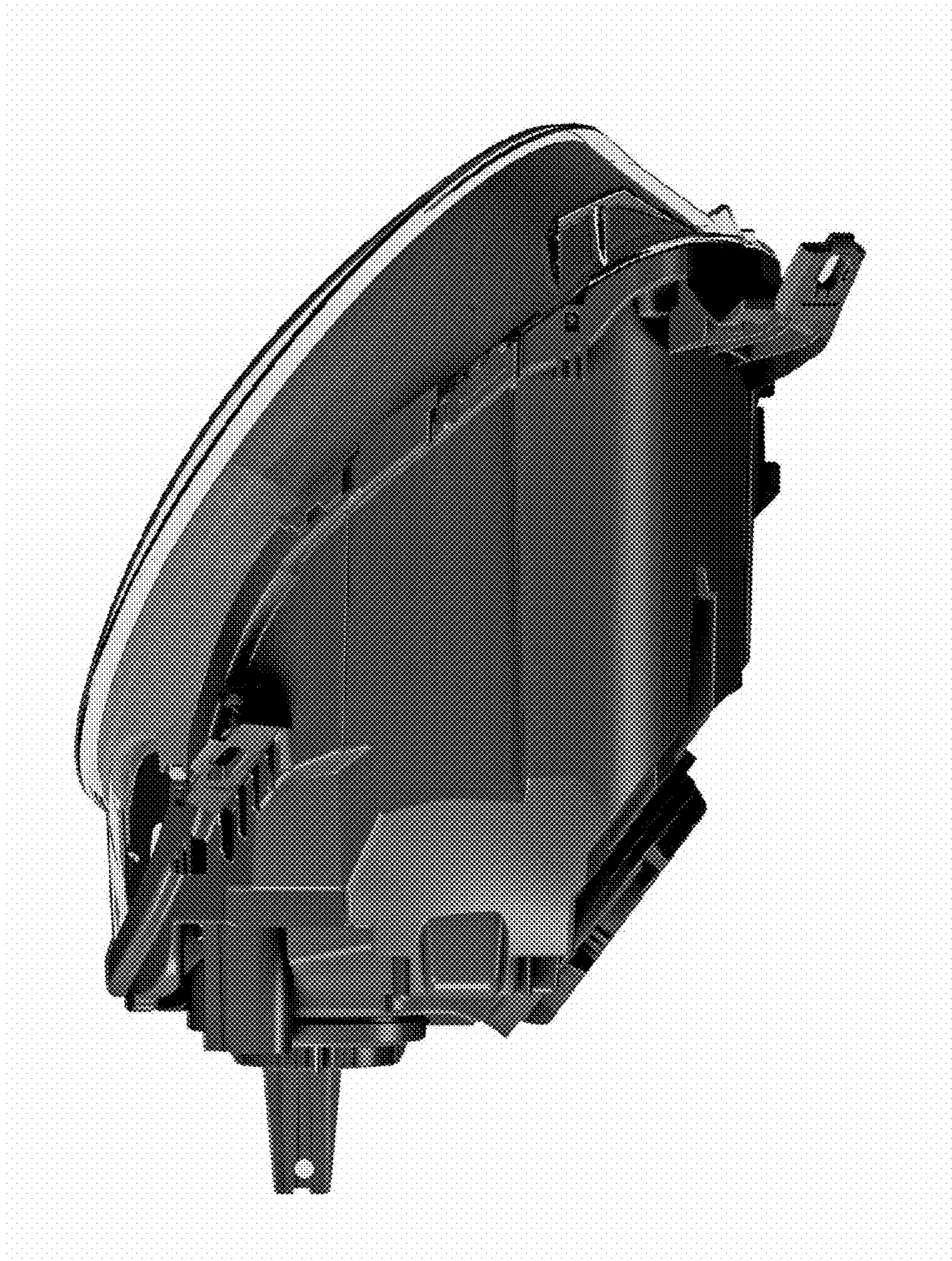


Fig. 5

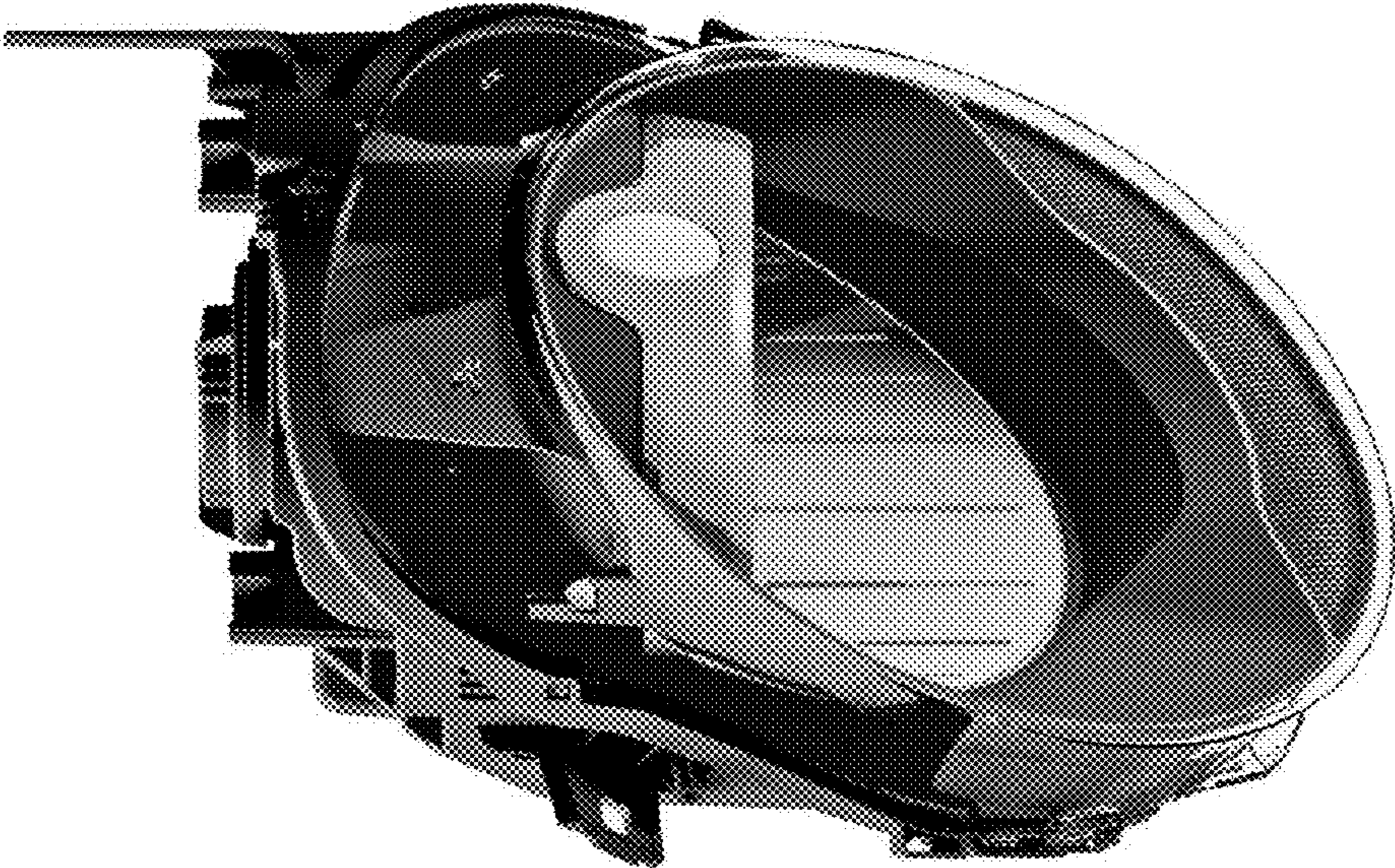


Fig. 6

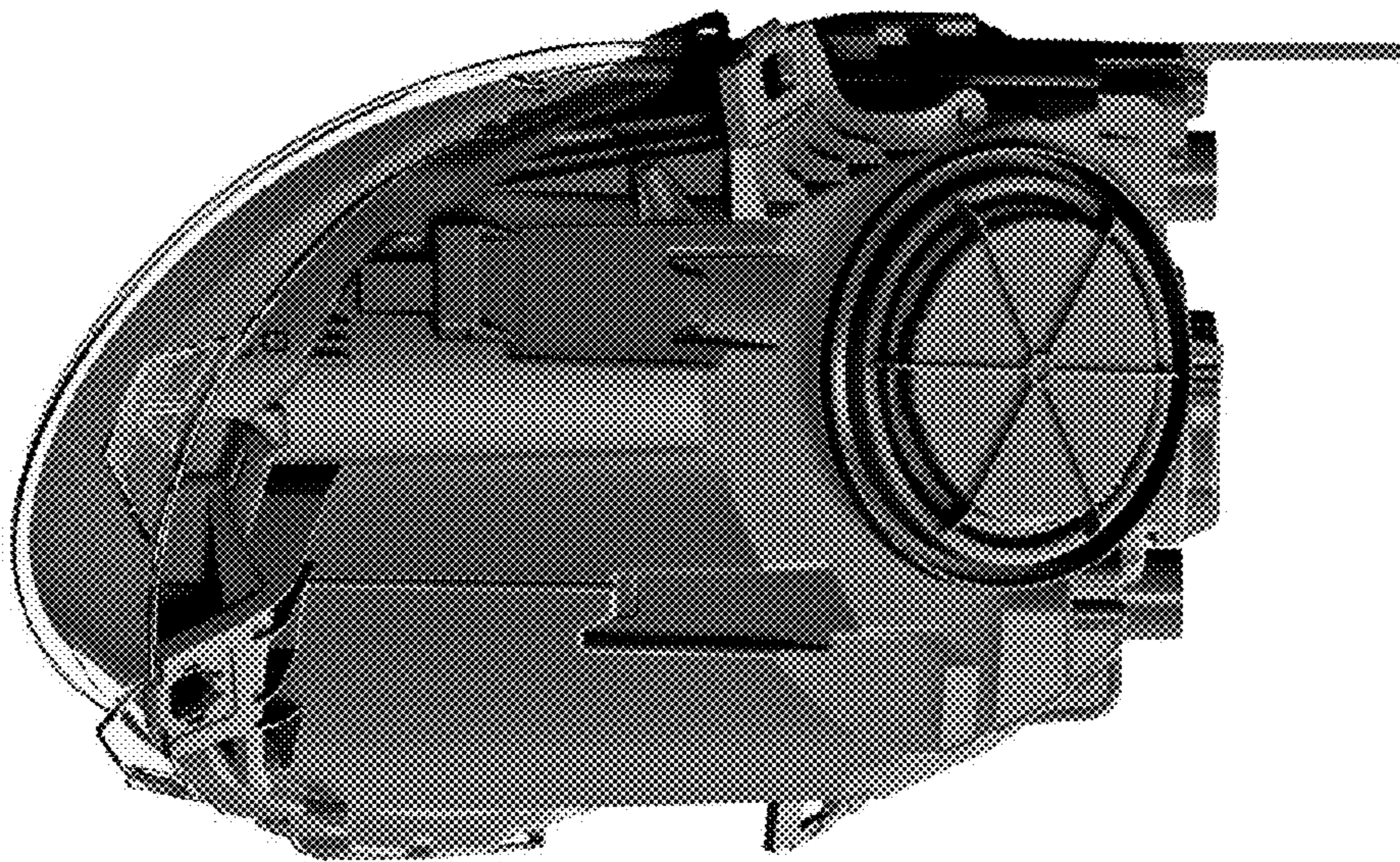


Fig. 7



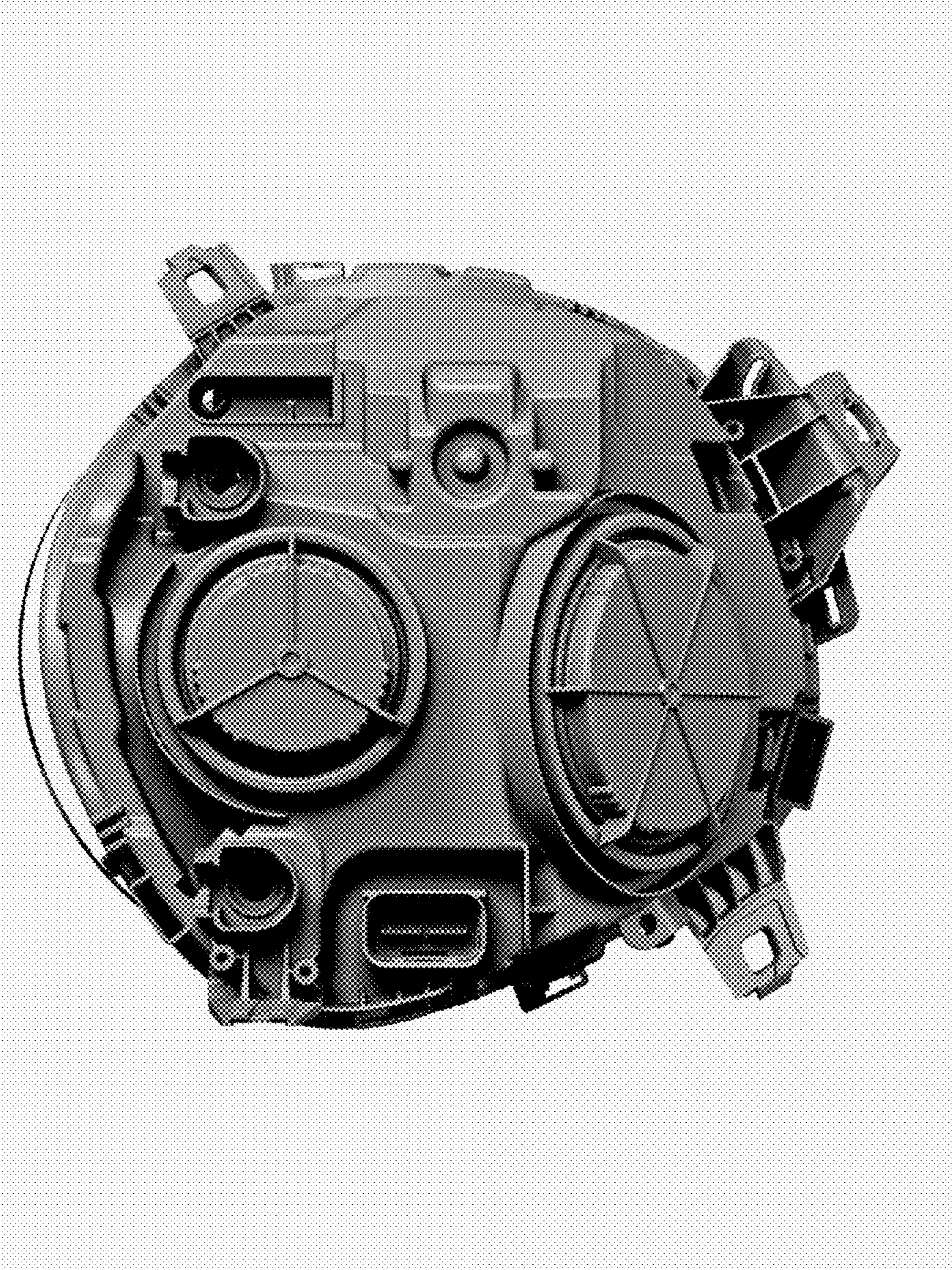


Fig. 8