



US00D744674S

(12) **United States Design Patent**
Wu et al.

(10) **Patent No.:** **US D744,674 S**
(45) **Date of Patent:** **** Dec. 1, 2015**

(54) **FLUORESCENT LAMP**
(71) Applicant: **LUMENMAX OPTOELECTRONICS CO., LTD.**, Taoyuan County (TW)
(72) Inventors: **Chien-Jung Wu**, New Taipei (TW);
Hsing-Wei Ho, Taoyuan County (TW)
(73) Assignee: **Lumenmax Optoelectronics Co., Ltd.**, Taoyuan County (TW)

D671,245 S * 11/2012 Kim D26/3
D719,686 S * 12/2014 Kim et al. D26/3
D719,687 S * 12/2014 Kim et al. D26/3

(**) Term: **14 Years**

(21) Appl. No.: **29/484,804**

(22) Filed: **Mar. 13, 2014**

(51) **LOC (10) Cl.** **26-04**

(52) **U.S. Cl.**
USPC **D26/3**

(58) **Field of Classification Search**
USPC D26/1-4; 313/313, 315, 316, 317, 318,
313/493; 315/52, 53, 56, 57, 58
CPC Y02B 20/16
See application file for complete search history.

(56) **References Cited**

U.S. PATENT DOCUMENTS

D379,673 S * 6/1997 Sengen et al. D26/3
D509,607 S * 9/2005 Egawa D26/3
D670,830 S * 11/2012 Kim D26/3

FOREIGN PATENT DOCUMENTS

SE EP 0566815 A1 * 10/1993

* cited by examiner

Primary Examiner — Ian Simmons

Assistant Examiner — Harold Blackwell, II

(74) *Attorney, Agent, or Firm* — Rosenberg, Klein & Lee

(57) **CLAIM**

The ornamental design for a fluorescent lamp, as shown and described.

DESCRIPTION

FIG. 1 is a top, front and right perspective view of a fluorescent lamp showing our new design;

FIG. 2 is a front elevational view thereof; the rear elevational view, left side elevational view and right side elevational view being identical to the view in FIG. 2.

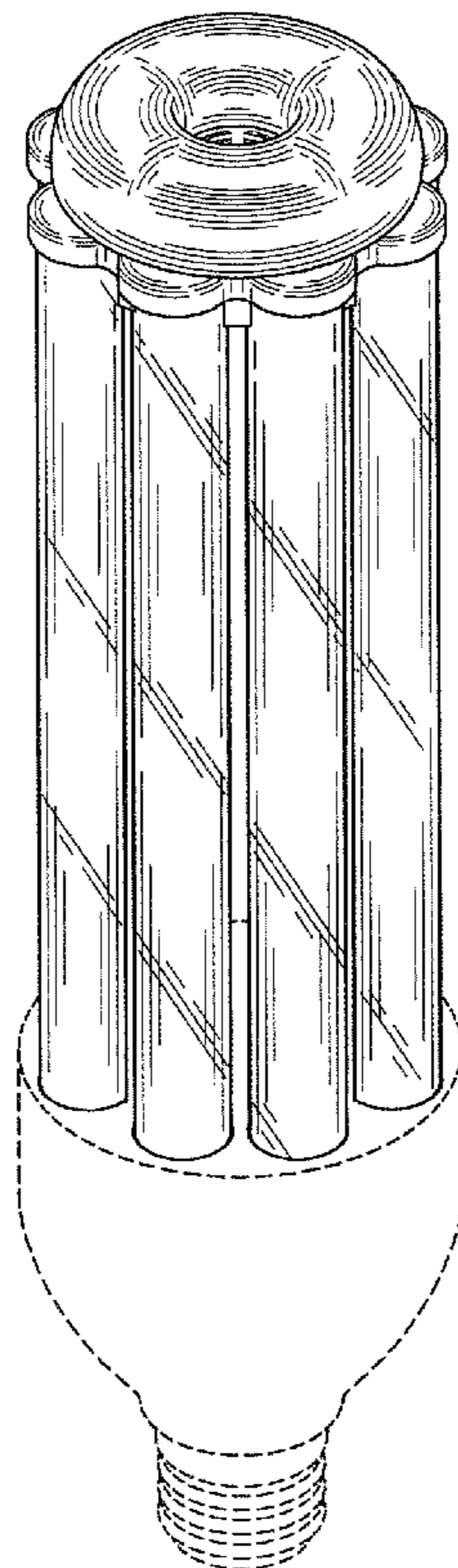
FIG. 3 is a top plan view thereof;

FIG. 4 is a bottom plan view thereof; and,

FIG. 5 is a section view along lines 5-5 in FIG. 2.

The broken lines in the drawings illustrate portions of the fluorescent lamp which form no part of the claimed design.

1 Claim, 3 Drawing Sheets



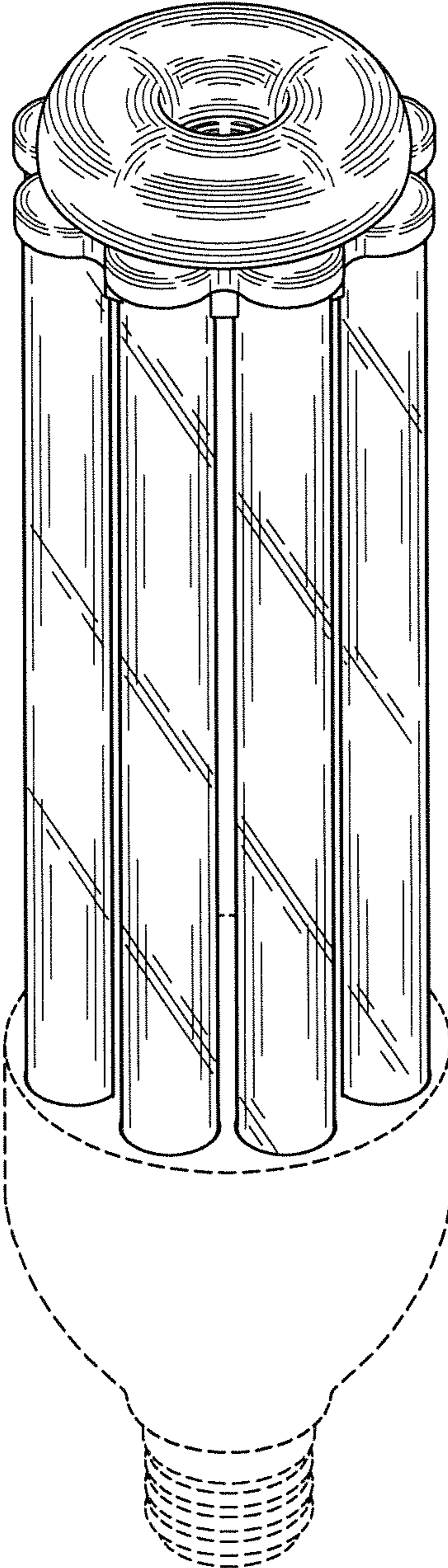


FIG.1

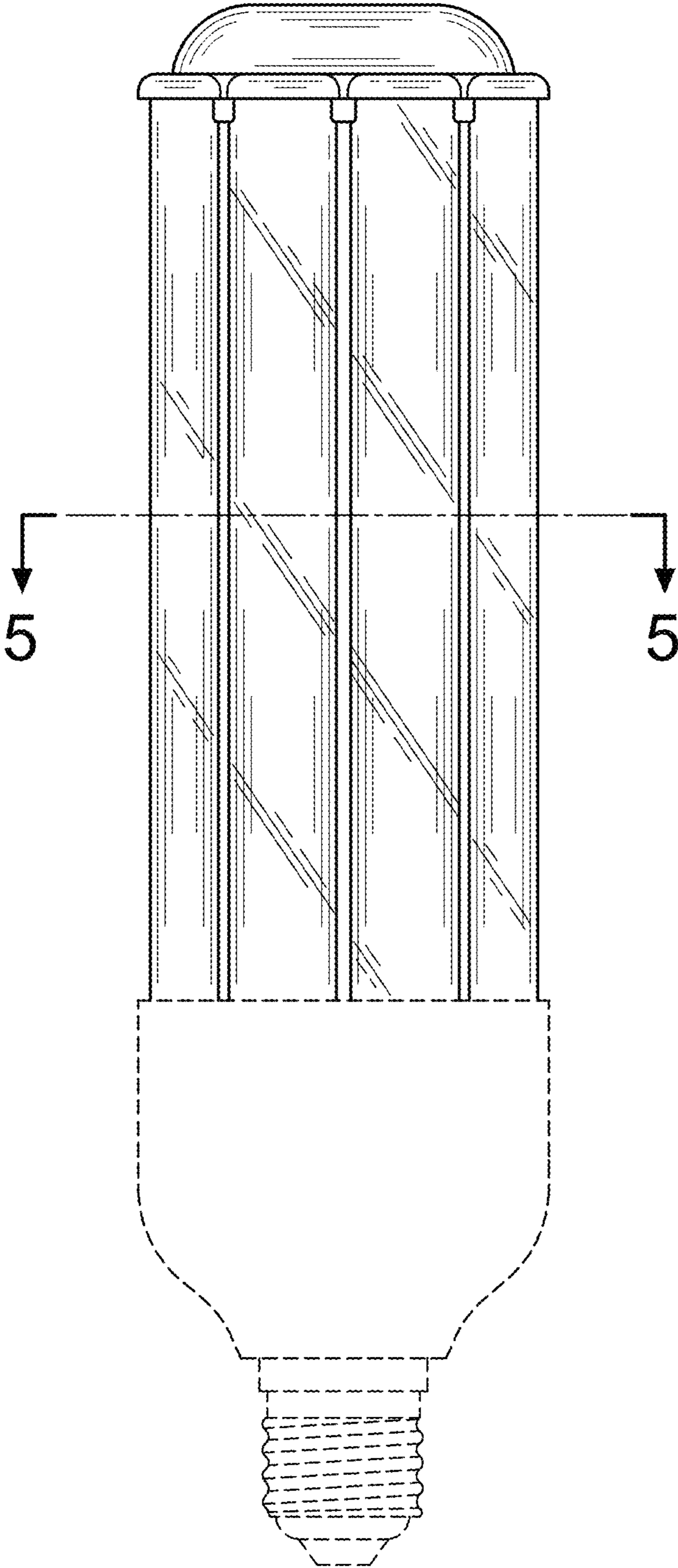


FIG.2

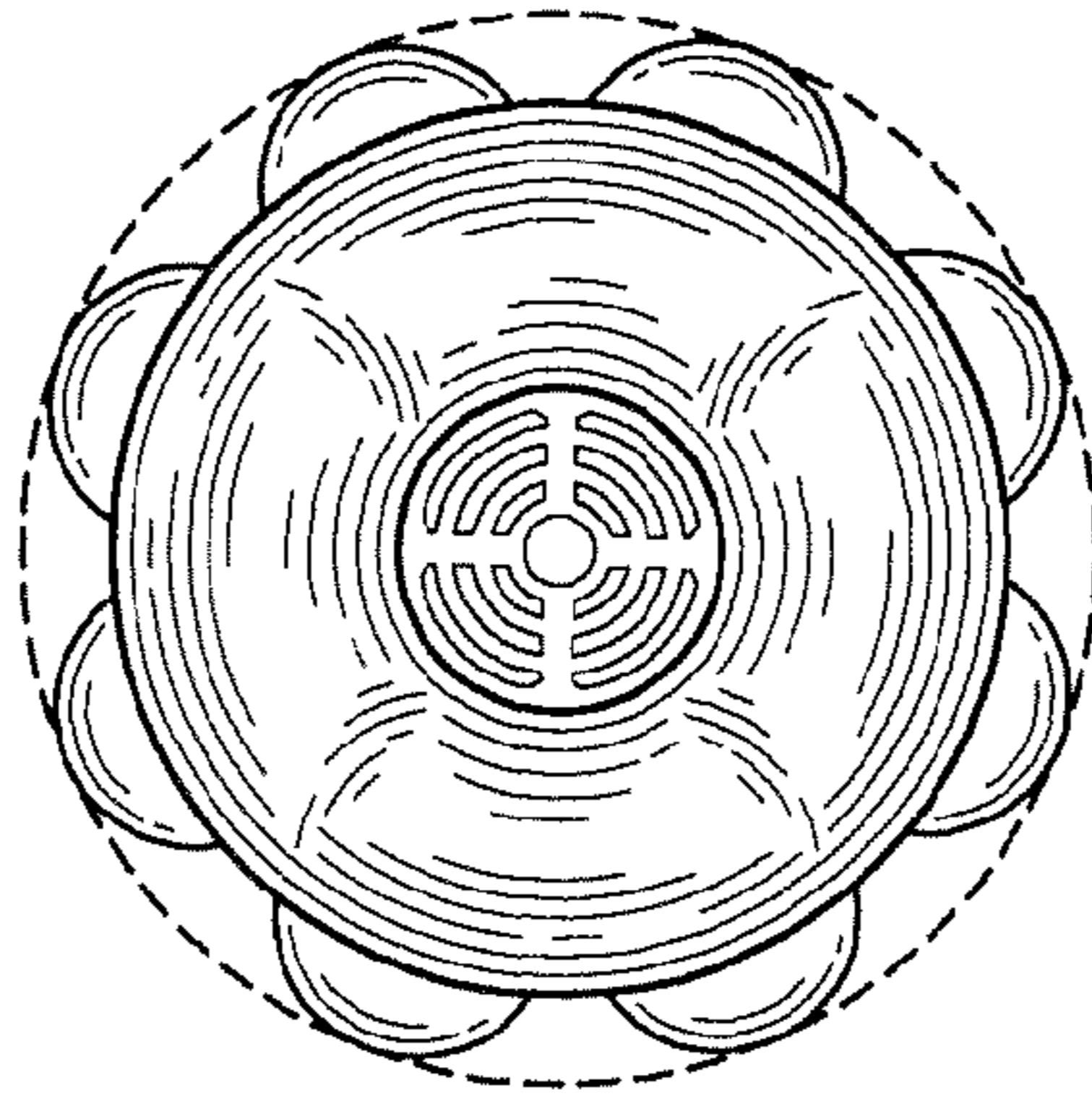


FIG.3

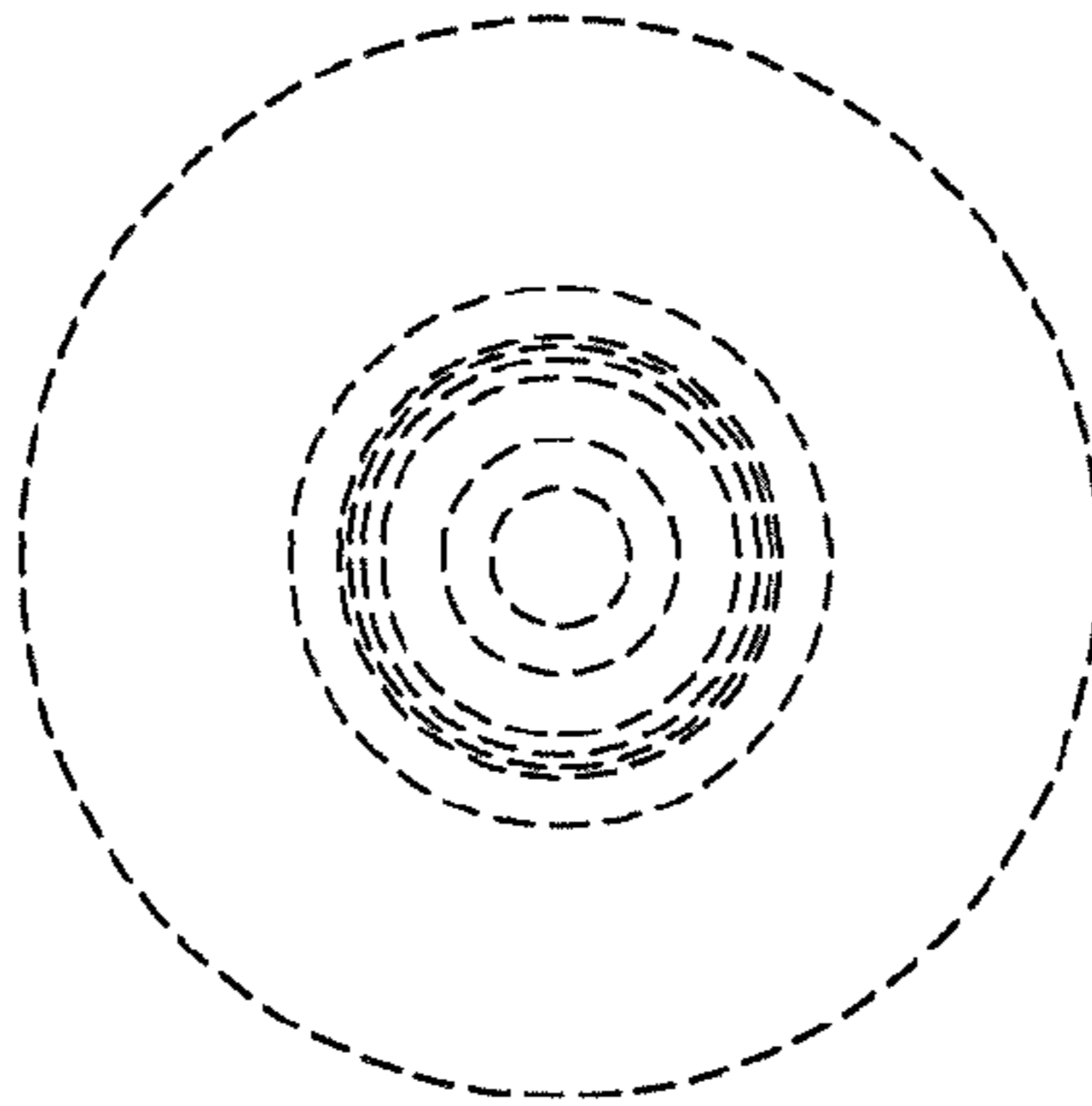


FIG.4

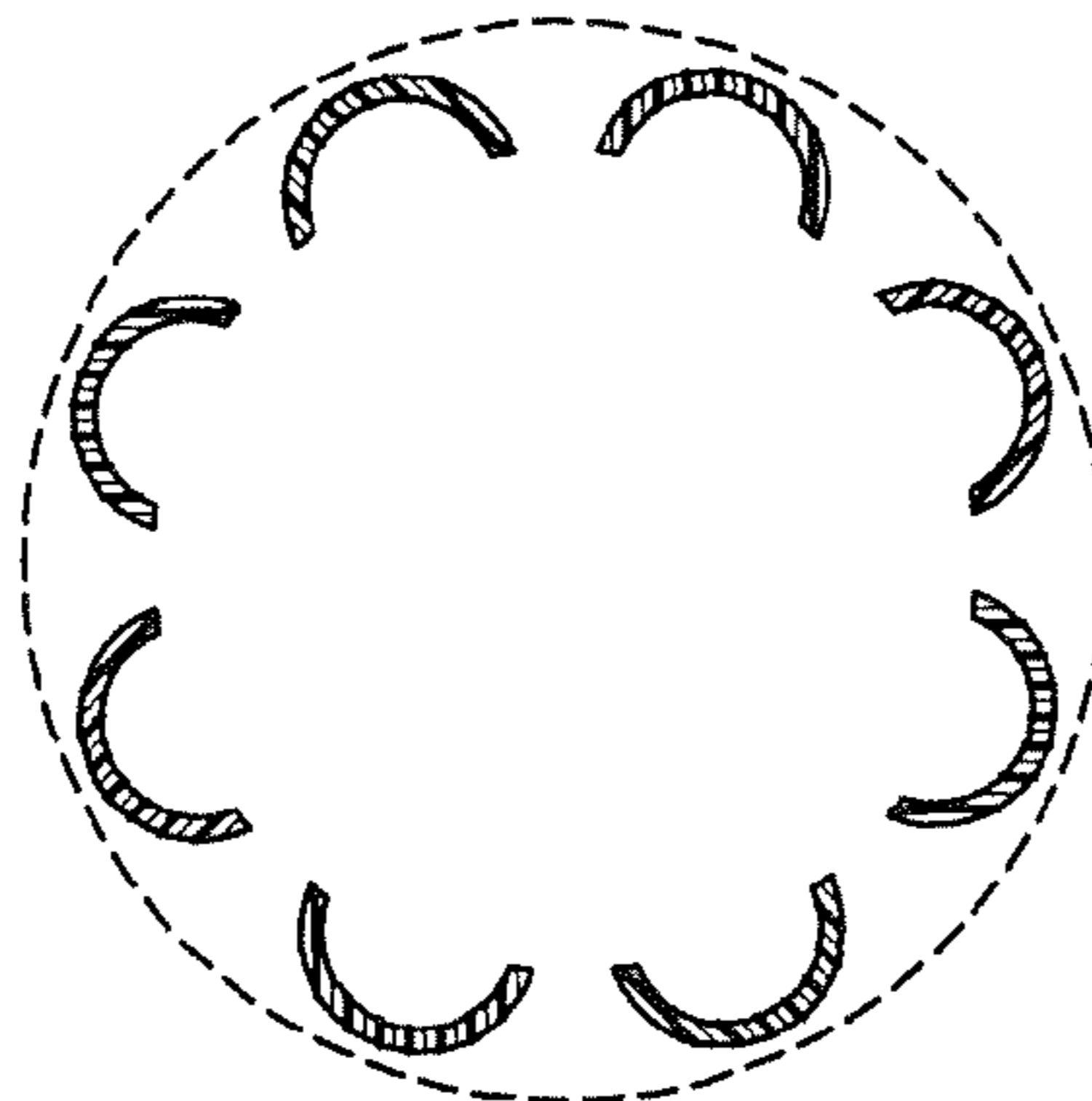


FIG.5