



US00D744672S

(12) **United States Design Patent**  
**Thirumurugan et al.**

(10) **Patent No.:** **US D744,672 S**

(45) **Date of Patent:** **\*\* Dec. 1, 2015**

(54) **LAMP**

(71) Applicants: **Natarajan Thirumurugan**, Wakefield, MA (US); **Valeriy Zolotykh**, Abington, MA (US); **Anil Jeswani**, Beverly, MA (US); **Shane Brown**, Haverhill, MA (US)

(72) Inventors: **Natarajan Thirumurugan**, Wakefield, MA (US); **Valeriy Zolotykh**, Abington, MA (US); **Anil Jeswani**, Beverly, MA (US); **Shane Brown**, Haverhill, MA (US)

(73) Assignee: **OSRAM SYLVANIA Inc.**, Wilmington, MA (US)

(\*\*) Term: **14 Years**

(21) Appl. No.: **29/490,522**

(22) Filed: **May 9, 2014**

(51) **LOC (10) Cl.** ..... **26-04**

(52) **U.S. Cl.**  
USPC ..... **D26/2**

(58) **Field of Classification Search**  
USPC ..... D26/1-4; 313/313, 315, 316, 317, 318,  
313/493; 315/52, 53, 56, 57, 58  
See application file for complete search history.

(56) **References Cited**

**U.S. PATENT DOCUMENTS**

D499,820 S	12/2004	Foo	
D508,575 S	8/2005	Buschmann	
D528,673 S	9/2006	Maxik et al.	
D532,532 S	* 11/2006	Maxik	D26/2
D533,038 S	12/2006	Hsu	
D534,665 S	1/2007	Egawa et al.	
D542,943 S	5/2007	Wang	
D544,110 S	* 6/2007	Hooker et al.	D26/2
D545,457 S	6/2007	Chen	
D546,980 S	7/2007	Lo	
D549,854 S	8/2007	Takahashi	
D566,300 S	* 4/2008	Lo	D26/2
D581,555 S	* 11/2008	To et al.	D26/2

D582,578 S	12/2008	Tsai et al.	
D584,838 S	* 1/2009	To et al.	D26/2
D586,928 S	2/2009	Liu et al.	
D594,995 S	6/2009	Komar	
D601,722 S	10/2009	Foo	
D610,722 S	* 2/2010	Bi	D26/2
D620,152 S	7/2010	Lai et al.	
D627,495 S	11/2010	Lai et al.	
D629,534 S	12/2010	Song	
D631,989 S	2/2011	Bobel	
D634,035 S	3/2011	Kim et al.	
D670,414 S	11/2012	Guohui	
D677,806 S	3/2013	Jiang et al.	

(Continued)

**OTHER PUBLICATIONS**

Philips EnduraLED LED Bulbs with AirFlux Technology, retrieved Jul. 30, 2013, posted Sep. 4, 2012, LED Lighting Rebates, <http://www.ledlightingrebates.com/philips-enduraled-led-bulbs-with-airflux-technology/>.

(Continued)

*Primary Examiner* — Marcus Jackson

(74) *Attorney, Agent, or Firm* — Shaun P. Montana

(57) **CLAIM**

The ornamental design for a lamp, as shown and described.

**DESCRIPTION**

FIG. 1 is a perspective view of an embodiment of the ornamental design of a lamp.

FIG. 2 is a top view of an embodiment of the ornamental design of the lamp.

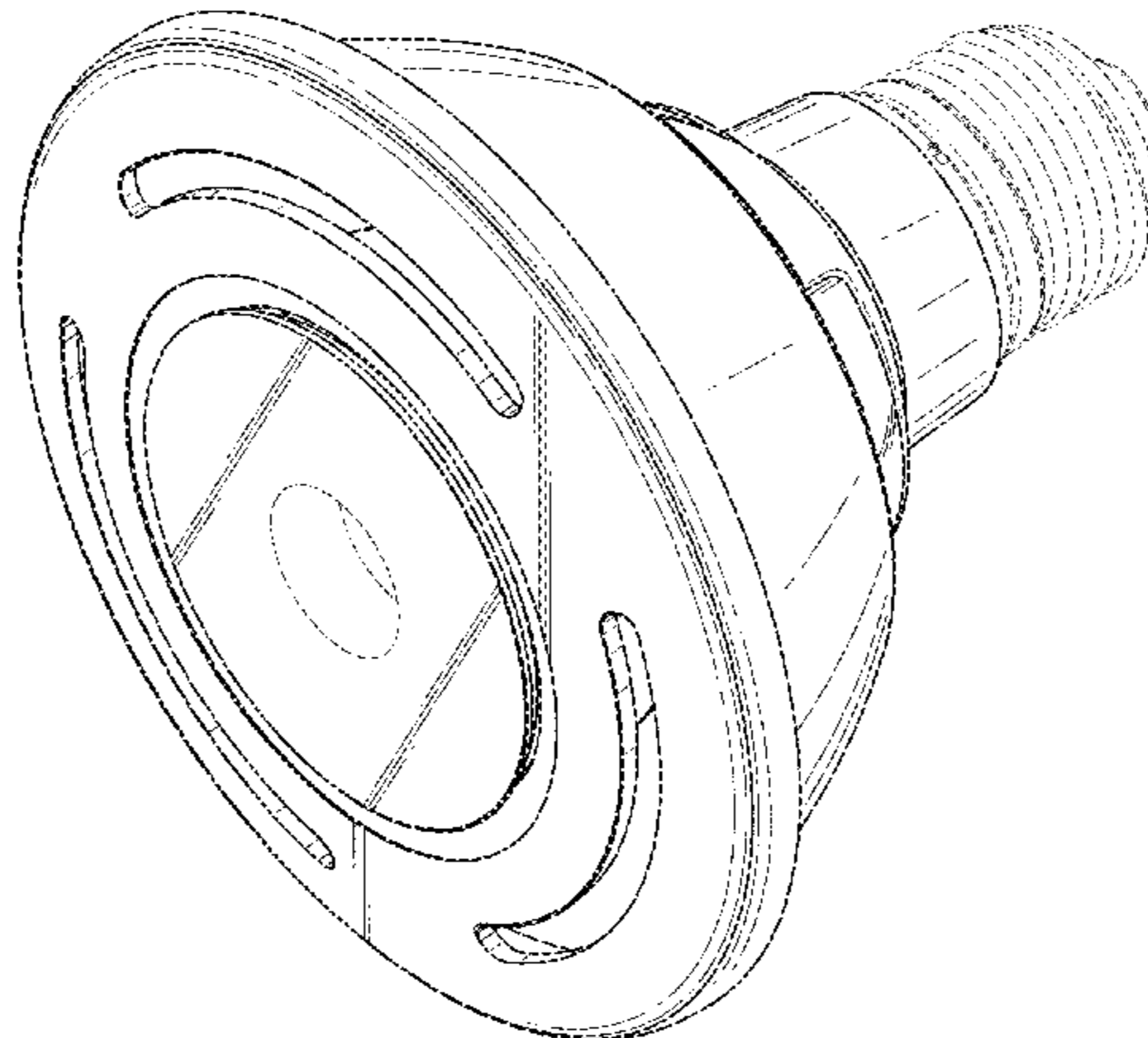
FIG. 3 is a left view of an embodiment of the ornamental design of the lamp.

FIG. 4 is a front view of an embodiment of the ornamental design of the lamp; and,

FIG. 5 is a bottom view of an embodiment of the ornamental design of the lamp.

The broken-line disclosure in the views is understood to represent portions of the article in which the claimed design is embodied, but which form no part of the claimed design.

**1 Claim, 5 Drawing Sheets**



(56)

**References Cited**

U.S. PATENT DOCUMENTS

D688,397 S	8/2013	Tsai
D691,745 S	10/2013	Wang et al.
2005/0111234 A1	5/2005	Martin et al.
2006/0193139 A1	8/2006	Sun et al.
2009/0109625 A1	4/2009	Booth et al.
2012/0170270 A1	7/2012	Kemps et al.

OTHER PUBLICATIONS

EnduraLED PAR with AirFlux Technology Ad, Apr. 2012, pp. 1-2, Philips Lighting Company.

Philips EnduraLED BR Dimmable LED Lamps with AirFlux Technology, May 2012, pp. 1-2, P-6410-A, Philips Lighting Company, Somerset, NJ, United States of America.

Philips EnduraLED PAR38 Dimmable LED Lamps with AirFlux Technology, Apr. 2012, pp. 1-2, P-6412, Philips Lighting Company, Somerset, NJ, United States of America.

Philips EnduraLED PAR30 Dimmable LED Lamps with AirFlux Technology, Apr. 2012, pp. 1-2, P-6423, Philips Lighting Company, Somerset, NJ, United States of America.

Philips PAR20 Dimmable LED Lamps with AirFlux Technology, Oct. 2012, pp. 1-2, P-6450, Philips Lighting Company, Somerset, NJ, United States of America.

Philips PAR30S LED Retail Optic Lamps with AirFlux Technology, Feb. 2013, pp. 1-2, P-6467, Philips Lighting Company, Somerset, NJ, United States of America.

Philips PAR38 LED Retail Optic Lamps with AirFlux Technology, Feb. 2013, pp. 1-4, P-6468, Philips Lighting Company, Somerset, NJ, United States of America.

Philips PAR30L LED Retail Optic lamp with AirFlux Technology, Mar. 2013, pp. 1-2, P-6478, Philips Lighting Company, Somerset, NJ, United States of America.

\* cited by examiner

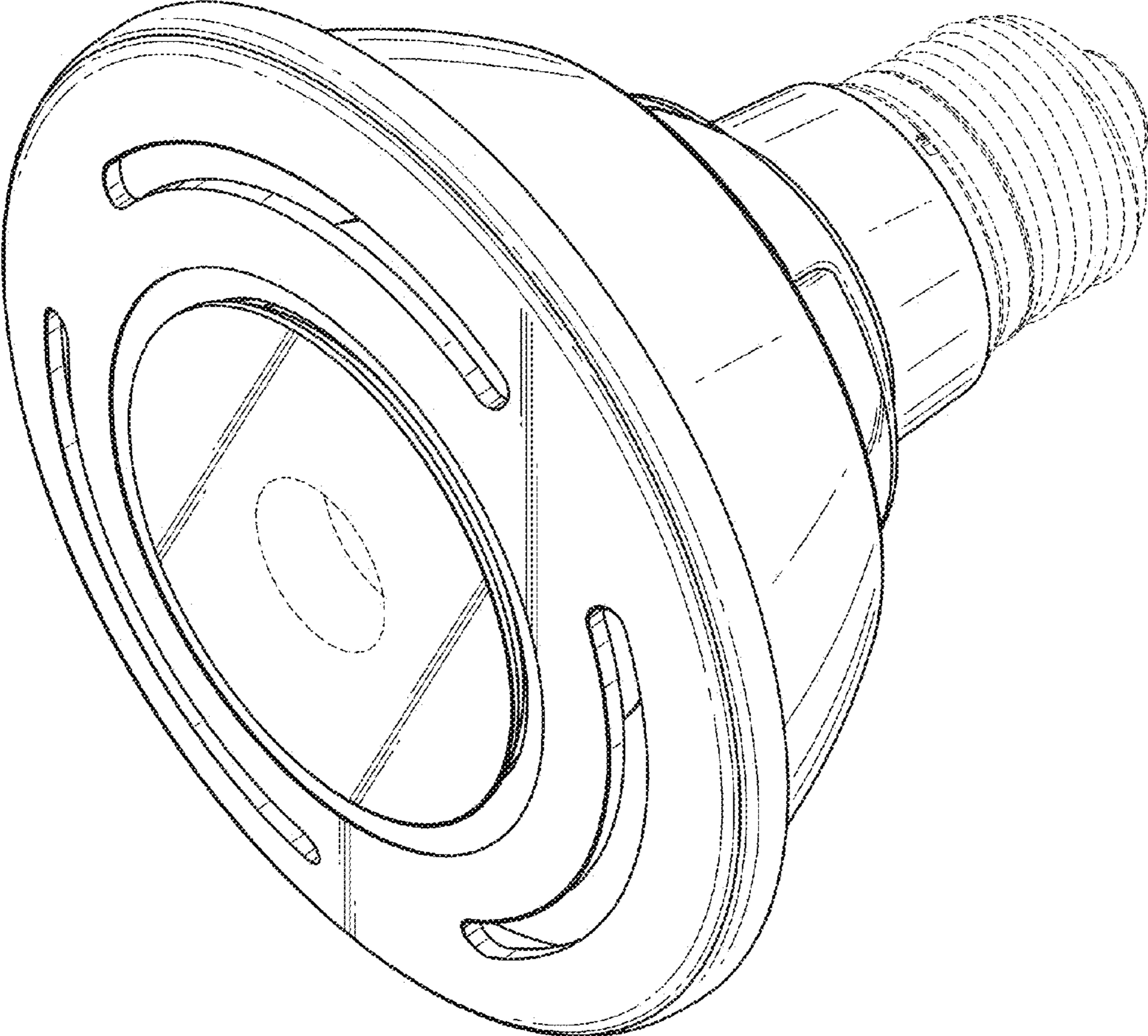


FIG. 1

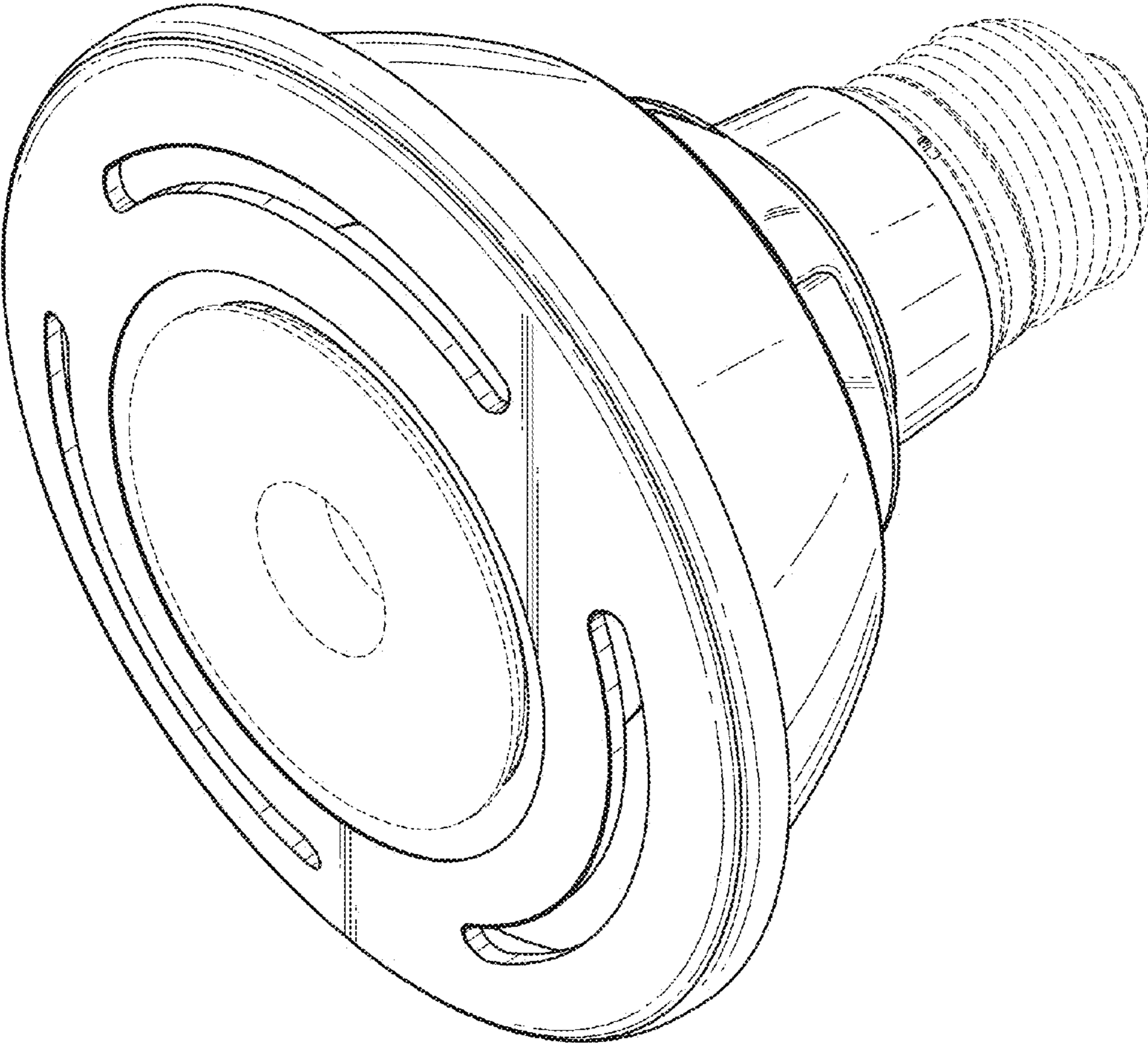


FIG. 2

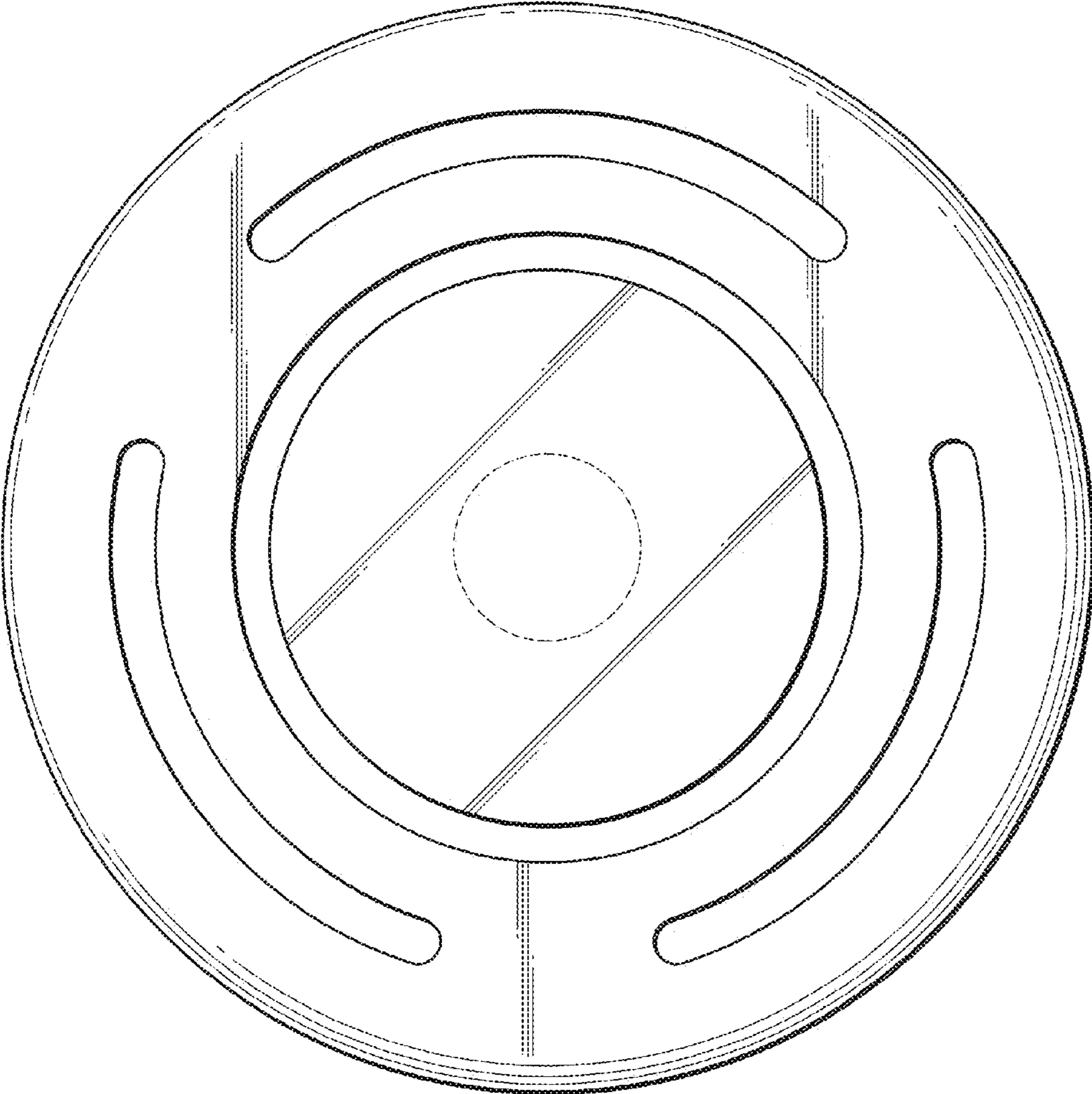


FIG. 3

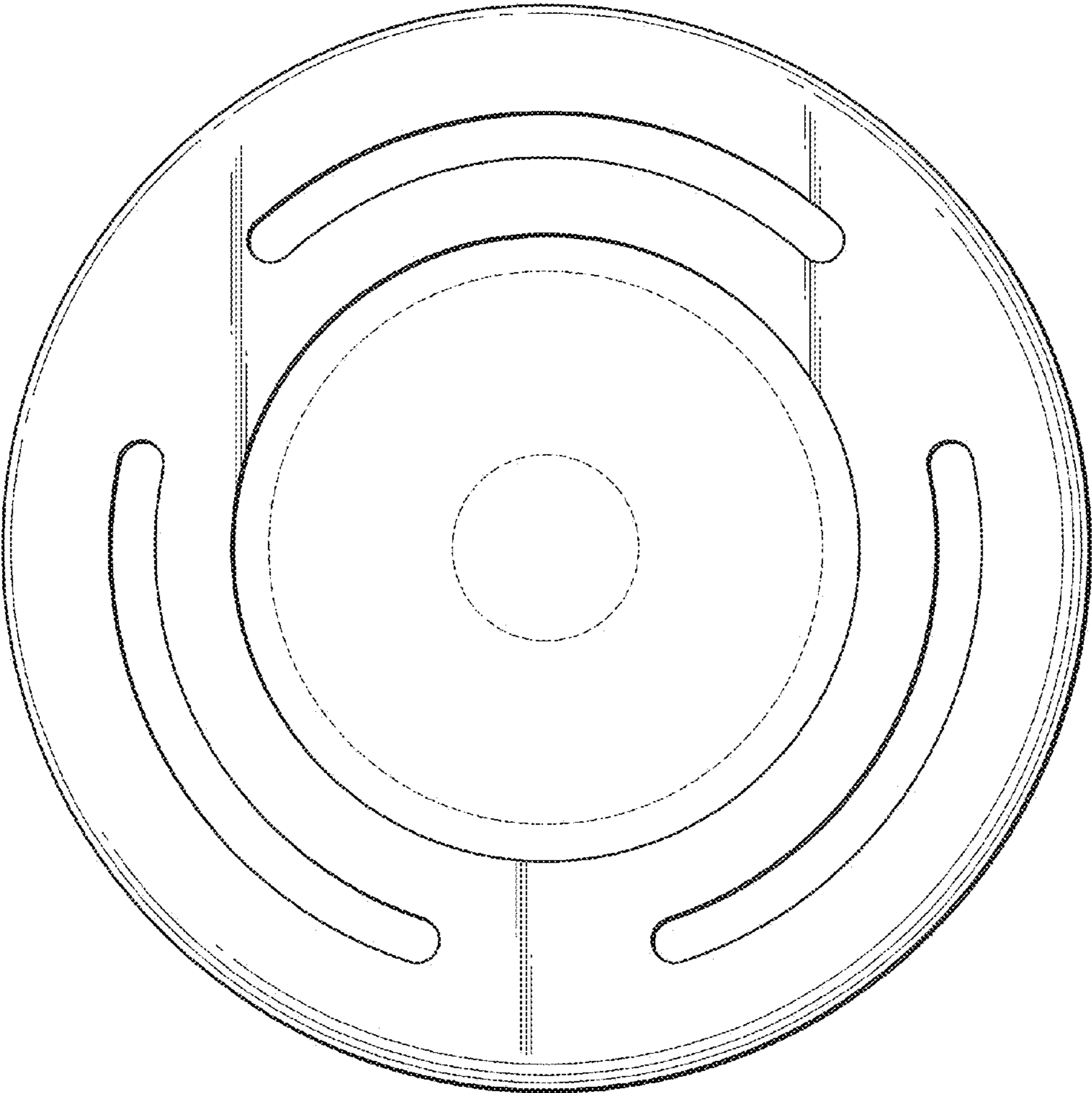


FIG. 4

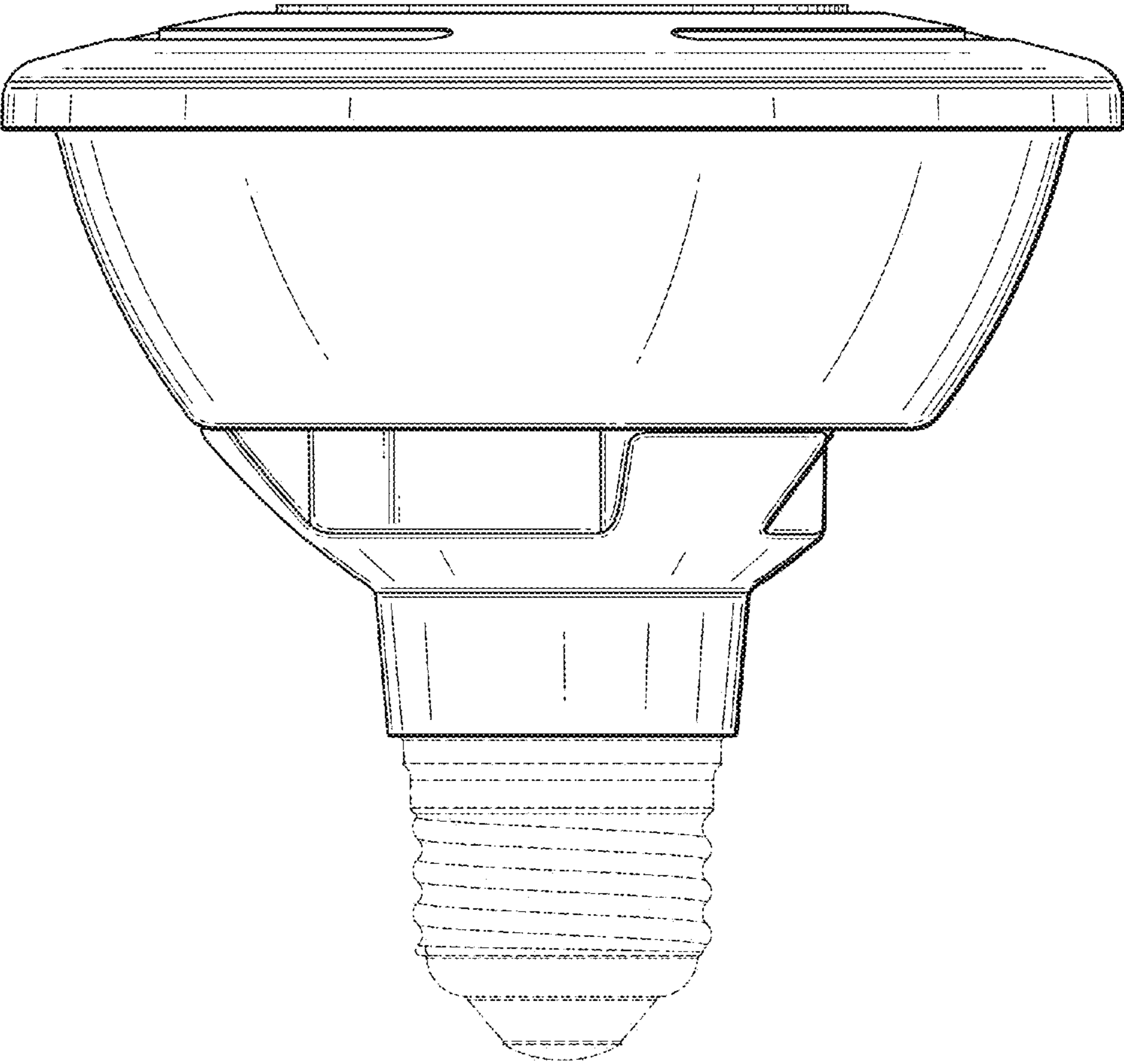


FIG. 5