



US00D744670S

(12) **United States Design Patent**
Nakanishi et al.

(10) **Patent No.:** **US D744,670 S**
(45) **Date of Patent:** **** Dec. 1, 2015**

(54) **LIGHT SOURCE MODULE**

(71) Applicant: **Sumitomo Electric Industries, Ltd.**,
Osaka-shi (JP)

(72) Inventors: **Hiromi Nakanishi**, Itami (JP); **Takao Nakamura**, Itami (JP)

(73) Assignee: **SUMITOMO ELECTRIC INDUSTRIES, LTD.**, Osaka-shi (JP)

(**) Term: **14 Years**

(21) Appl. No.: **29/494,509**

(22) Filed: **Jun. 20, 2014**

(30) **Foreign Application Priority Data**

Mar. 19, 2014 (JP) 2014-005840

(51) **LOC (10) Cl.** **26-04**

(52) **U.S. Cl.**
USPC **D26/1**

(58) **Field of Classification Search**
USPC D26/1-4; 313/313, 315, 316, 317, 318,
313/493; 315/52, 53, 56, 57, 58
See application file for complete search history.

(56) **References Cited**

U.S. PATENT DOCUMENTS

D565,750 S * 4/2008 Egawa D26/1

D594,576 S * 6/2009 Chan et al. D26/1
D621,968 S * 8/2010 Schultz D26/1
D663,048 S * 7/2012 Chen D26/1

* cited by examiner

Primary Examiner — Marcus Jackson

(74) *Attorney, Agent, or Firm* — Venable LLP; Michael A. Sartori; Tamatane J. Aga

(57) **CLAIM**

The ornamental design for a light source module, as shown and described.

DESCRIPTION

FIG. 1 is a front view of a light source module of the present invention.

FIG. 2 is a rear view of the light source module of FIG. 1.

FIG. 3 is a top plan view of the light source module of FIG. 1.

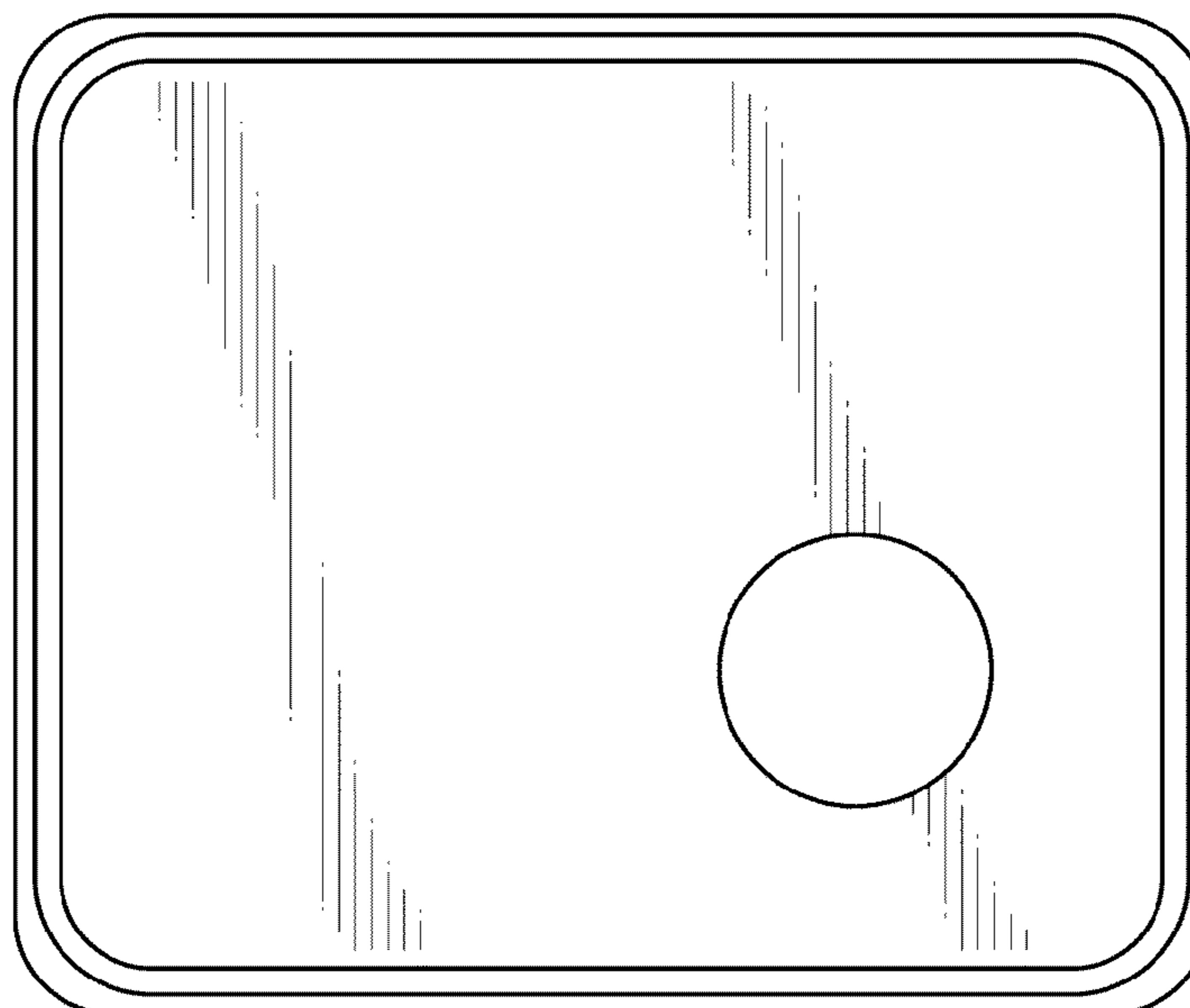
FIG. 4 is a bottom view of the light source module of FIG. 1.

FIG. 5 is a right side view of the light source module of FIG. 1.

FIG. 6 is a left side view of the light source module of FIG. 1; and,

FIG. 7 is a perspective view of the light source module of FIG. 1.

1 Claim, 7 Drawing Sheets



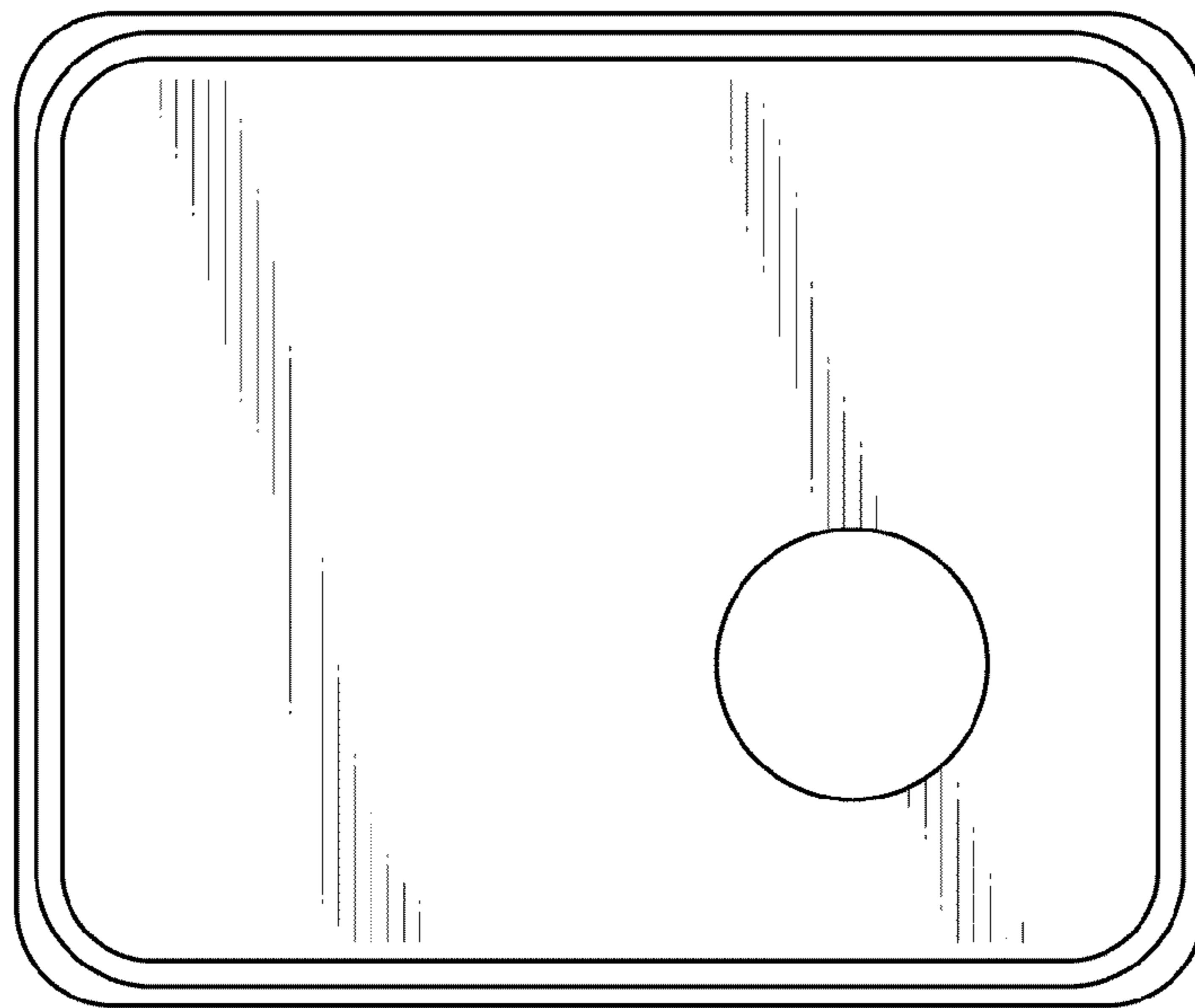


Fig.1

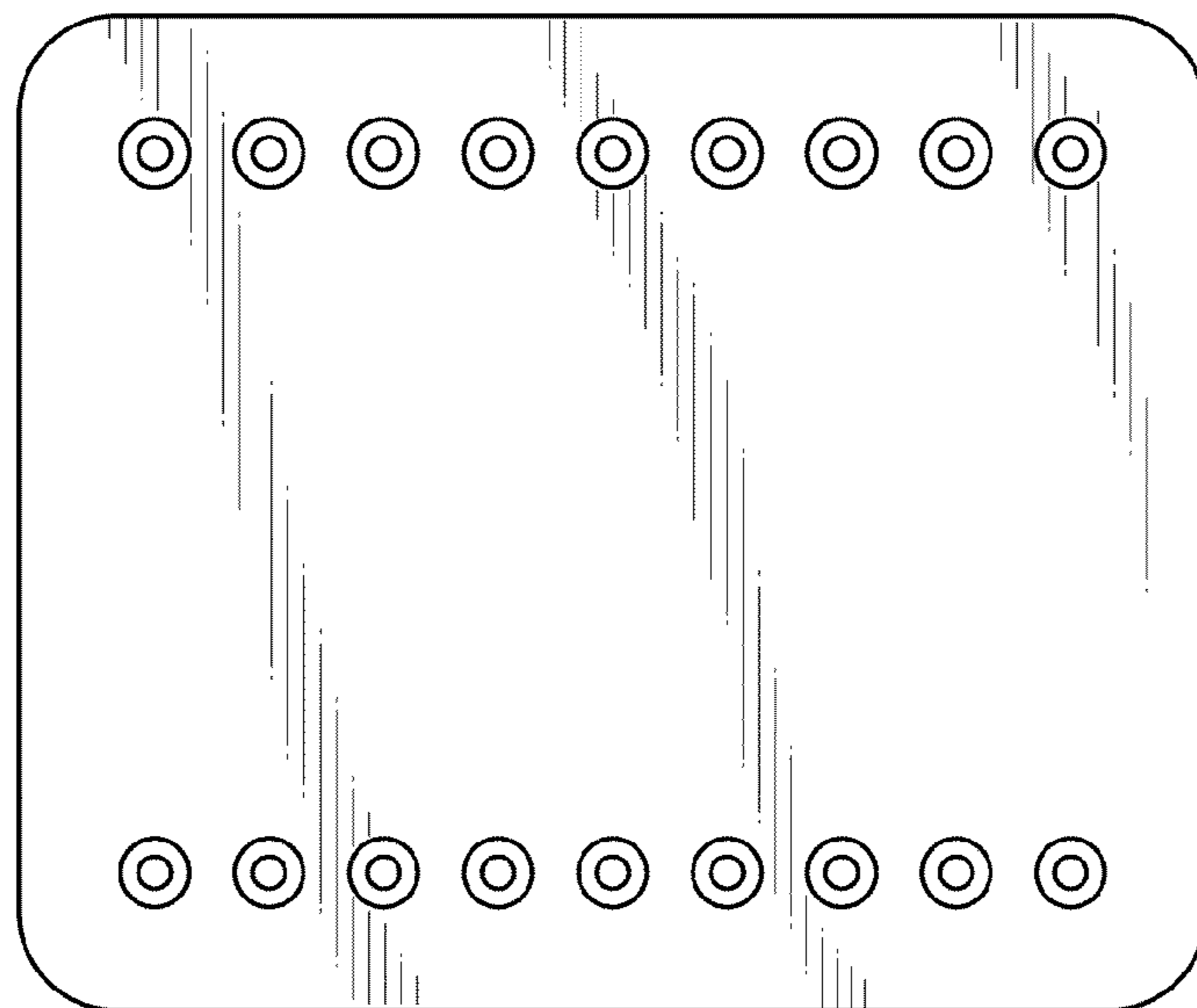


Fig.2

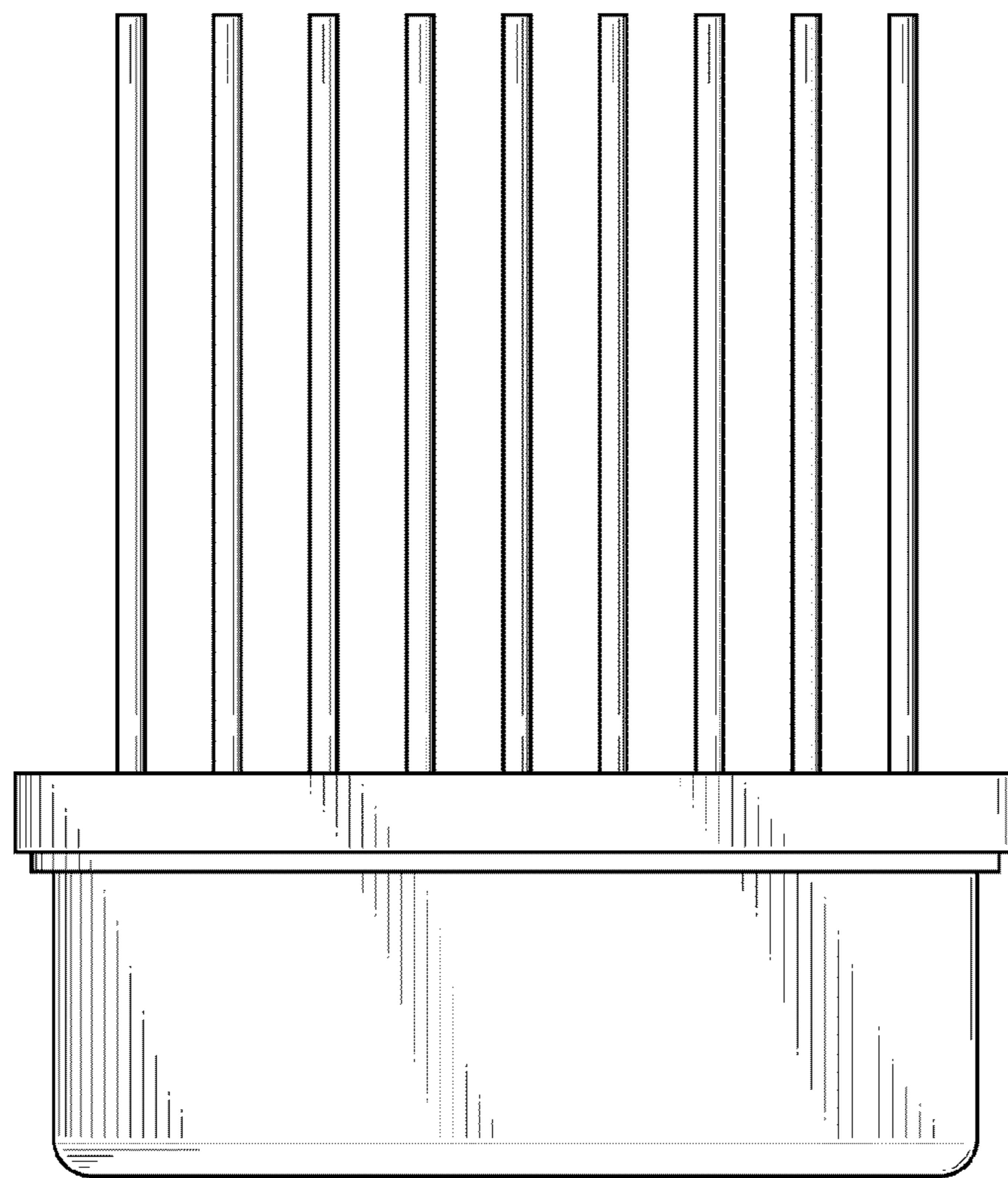


Fig.3

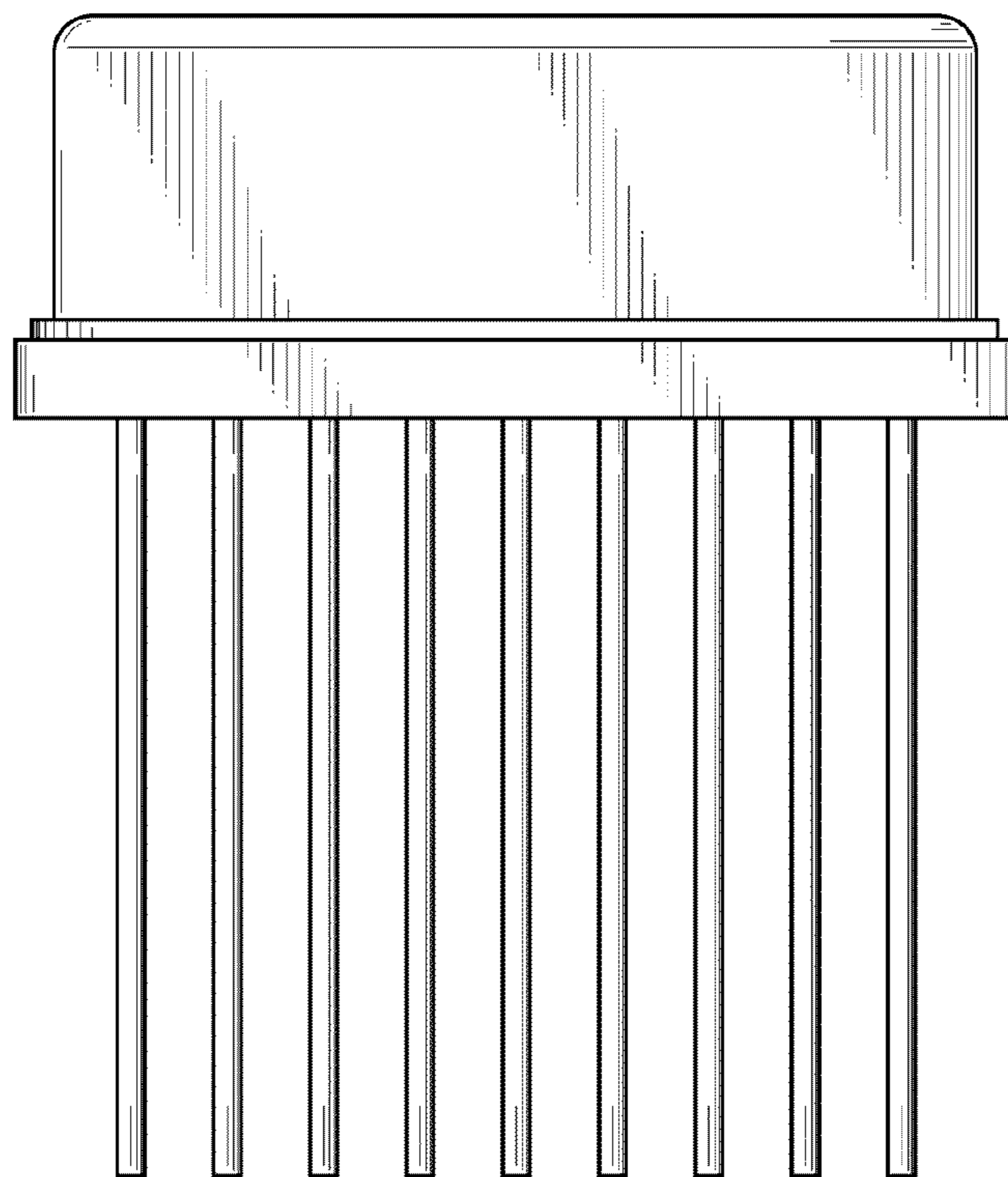


Fig.4

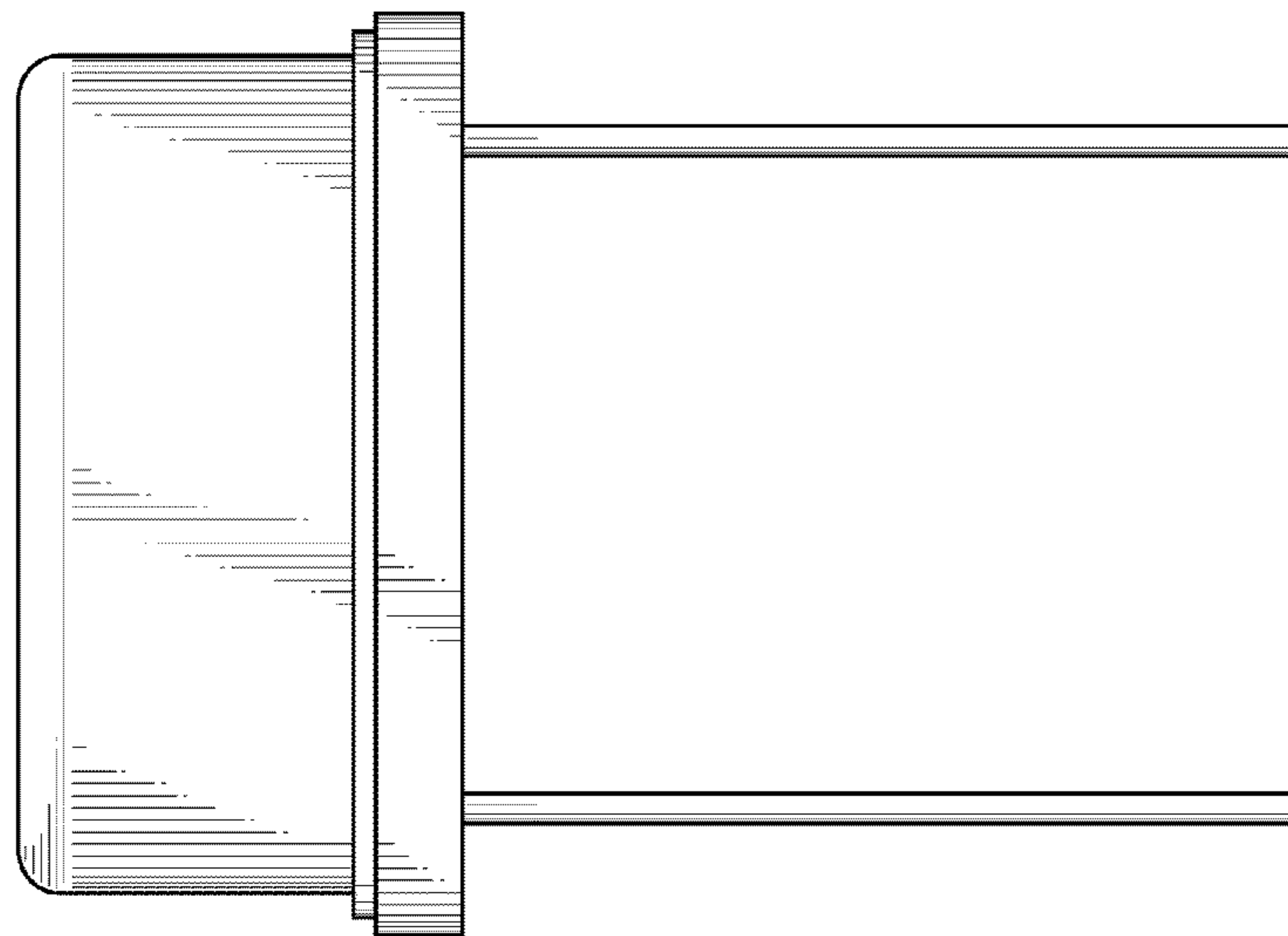


Fig.5

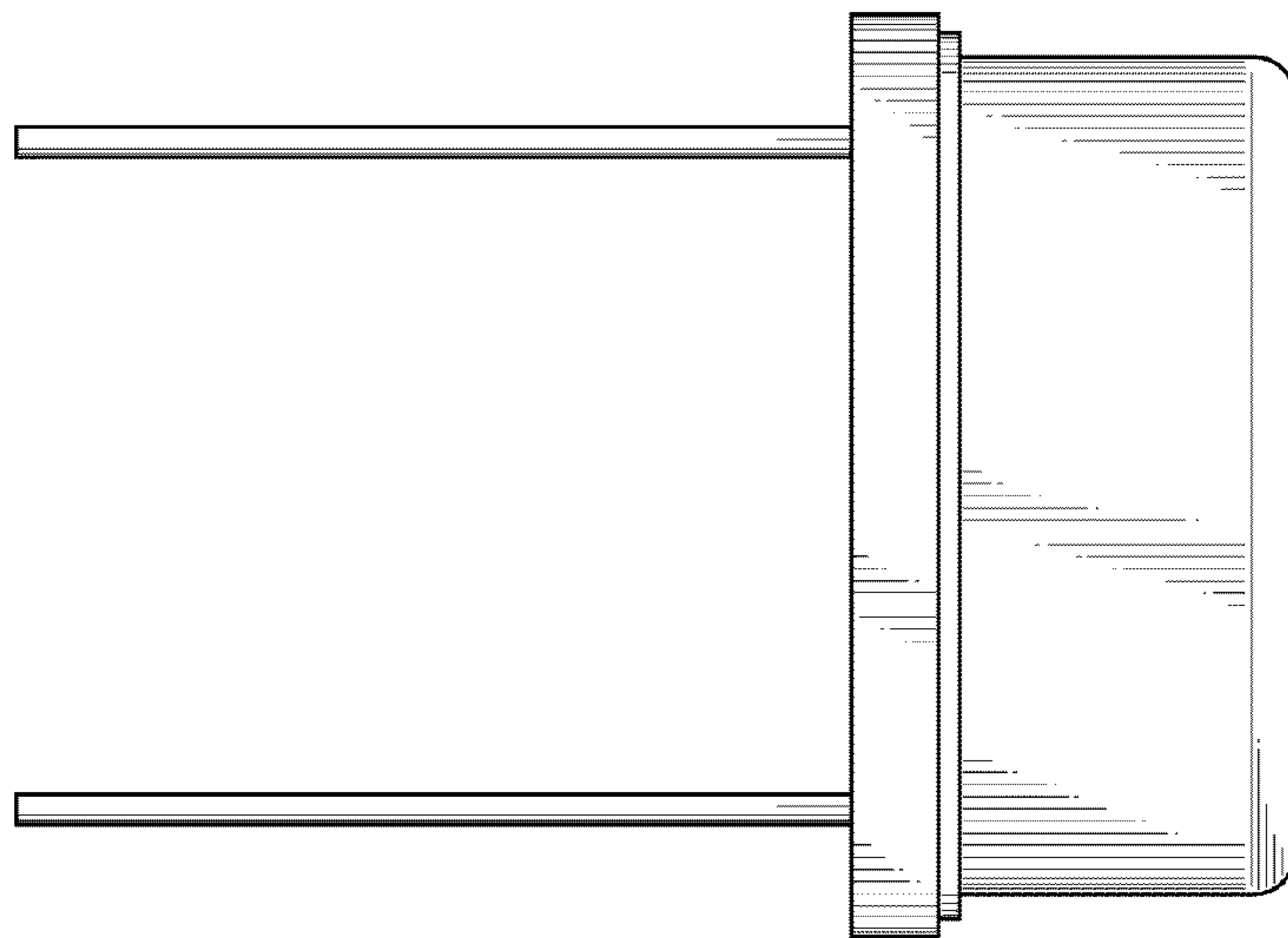


Fig.6

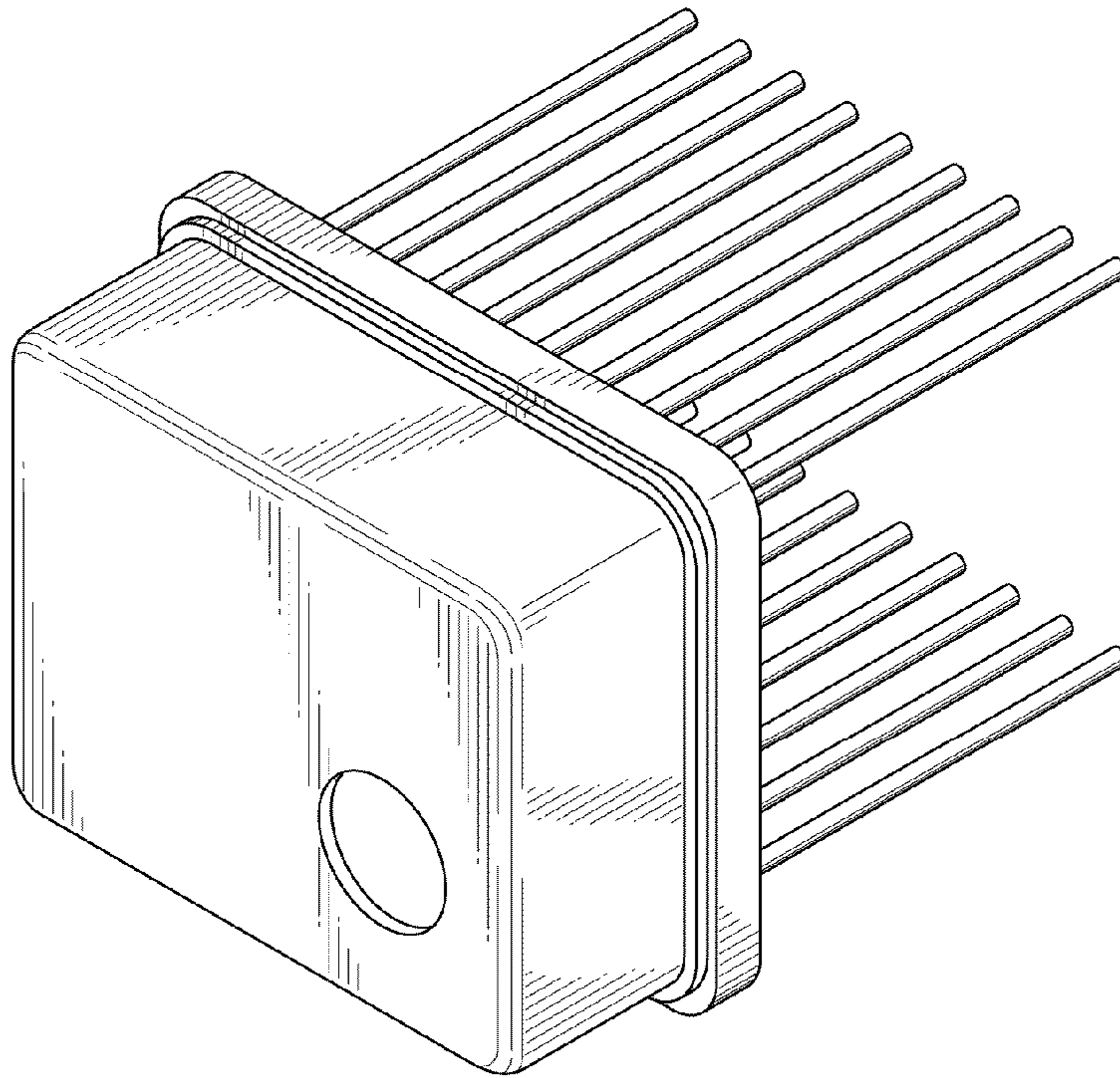


Fig.7