



US00D744667S

(12) **United States Design Patent**
Macdonald et al.

(10) **Patent No.:** **US D744,667 S**
(45) **Date of Patent:** **** Dec. 1, 2015**

(54) **PANEL ATTACHMENT EXTRUSION WITH KEY**

(56) **References Cited**

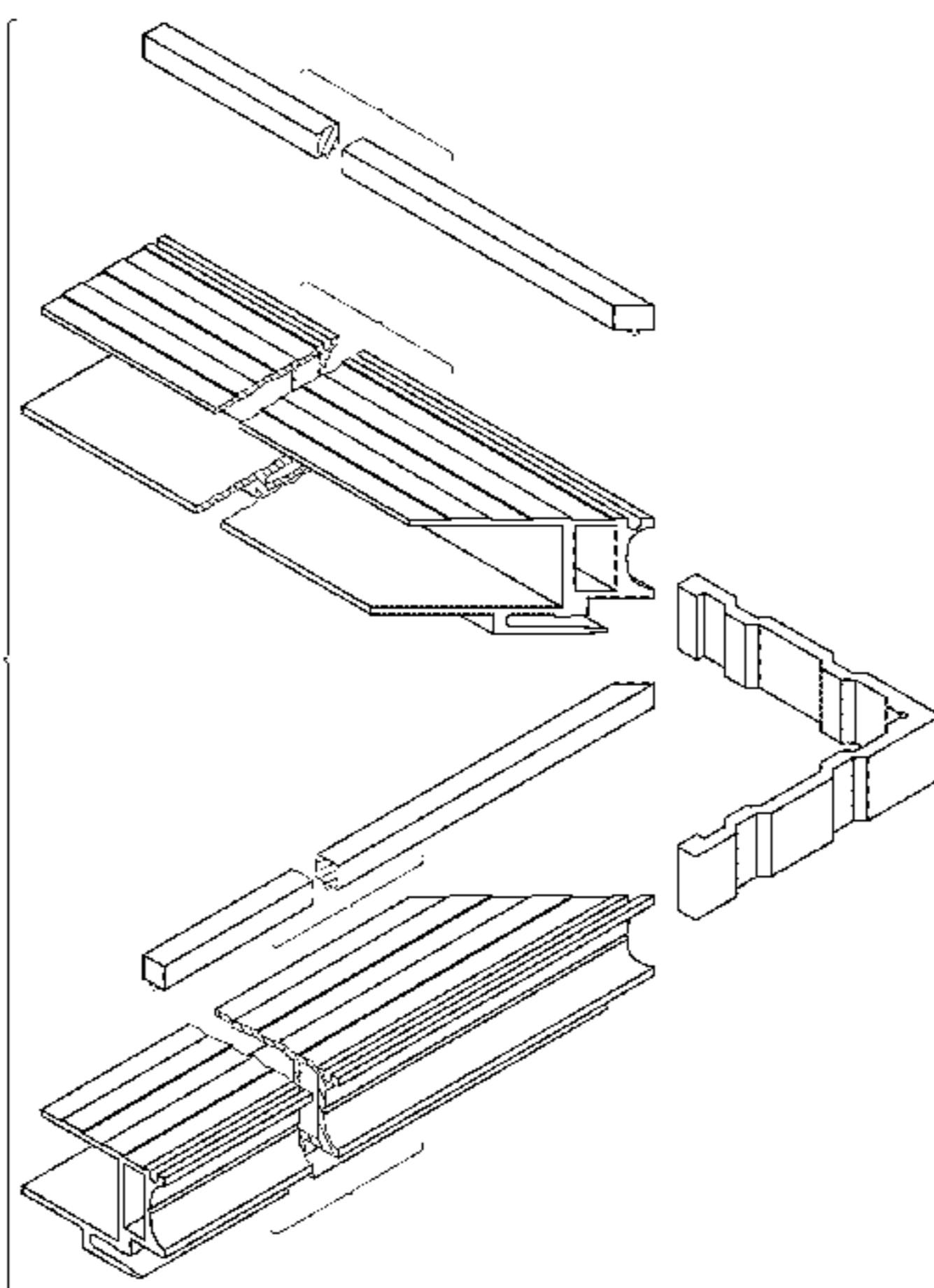
U.S. PATENT DOCUMENTS

- (71) Applicant: **Exterior Wall Systems Limited**,
London (CA)
- (72) Inventors: **Robert B. Macdonald**, London (CA);
Philip A. Macdonald, London (CA)
- (73) Assignee: **Exterior Wall Systems Ltd.**, London,
Ontario (CA)
- (**) Term: **14 Years**
- (21) Appl. No.: **29/464,559**
- (22) Filed: **Aug. 19, 2013**

4,070,835 A	1/1978	Reverend et al.	
4,344,267 A	8/1982	Sukolics	
4,439,960 A	4/1984	Jenkins	
4,999,960 A	3/1991	Herwegh et al.	
5,067,293 A	11/1991	Reynolds	
5,170,602 A	12/1992	Ribic	
5,220,759 A	6/1993	Hossli	
5,226,274 A	7/1993	Sommerstein	
5,239,798 A	8/1993	Saito	
5,263,292 A	11/1993	Holland et al.	
5,301,484 A	4/1994	Jansson	
5,379,561 A	1/1995	Saito	
5,522,193 A	6/1996	Sommerstein	
5,544,461 A	8/1996	Sommerstein	
D388,887 S *	1/1998	Hersh et al.	D25/124
D395,526 S *	6/1998	Porter et al.	D25/124
5,809,729 A	9/1998	Mitchell	
D400,080 S *	10/1998	Beard, Jr.	D8/354
5,893,245 A	4/1999	Sekiguchi et al.	
6,035,598 A	3/2000	Sukolics et al.	
D423,910 S *	5/2000	Cyrell	D8/349
6,065,259 A	5/2000	Clear	
6,098,364 A	8/2000	Liu	
6,138,419 A	10/2000	Sekiguchi et al.	
6,427,408 B1	8/2002	Krieger	
6,484,465 B2	11/2002	Higgins	
D471,286 S *	3/2003	Roberts et al.	D25/60
6,745,527 B1	6/2004	Sherman et al.	
6,748,709 B1	6/2004	Sherman et al.	
D496,248 S *	9/2004	Liebendorfer	D8/354
D496,249 S *	9/2004	Liebendorfer	D8/354
7,096,629 B1	8/2006	Cox	
7,562,509 B2	7/2009	Ness	
D619,447 S *	7/2010	Liu	D8/354
D619,880 S	7/2010	Macdonald et al.	
7,752,818 B1	7/2010	Roegge	
8,166,716 B2	5/2012	Macdonald et al.	
D662,805 S	7/2012	Macdonald et al.	
D666,321 S *	8/2012	Morton	D25/119
8,505,224 B2 *	8/2013	Huang	40/790
D692,592 S *	10/2013	Kosonen	D25/124
8,595,996 B2 *	12/2013	Korman et al.	52/173.3
2002/0124514 A1	9/2002	Higgins	
2005/0060950 A1	3/2005	Hauschildt et al.	
2005/0247653 A1 *	11/2005	Brooks	211/94.01
2006/0179744 A1	8/2006	Lynch et al.	
2007/0119105 A1	5/2007	Macdonald et al.	
2009/0241444 A1	10/2009	Griffiths	
2010/0186343 A1	7/2010	Macdonald et al.	

Related U.S. Application Data

- (63) Continuation-in-part of application No. 13/329,409,
filed on Dec. 19, 2011.
- (51) **LOC (10) Cl.** **25-01**
- (52) **U.S. Cl.**
USPC **D25/124**
- (58) **Field of Classification Search**
USPC D8/349, 354-355, 380, 382-383, 394;
D13/155, 102, 118, 154, 184, 199;
D25/119, 123, 124, 125
CPC F24J 2/07; F24J 2/14; F24J 2/541;
F24J 2/542; F24J 2/38; Y02E 10/47; Y02E
10/45; Y02E 10/50; Y02E 10/60; Y02E
10/52; E04H 9/022; E04H 9/021; E02D
27/34; E04B 1/98; H01L 35/00; H01L
31/0522; H01L 35/08; H01L 31/052; H01L
31/042; H01L 31/05; H01L 27/1423; H01L
31/048; H01L 31/045; H01L 31/055; B64G
1/443; B64G 1/222; B60G 2202/143
See application file for complete search history.



2010/0263314 A1 10/2010 Macdonald et al.
 2012/0085042 A1 4/2012 Macdonald et al.
 2012/0186170 A1 7/2012 Macdonald et al.
 2012/0198788 A1 8/2012 Macdonald et al.

OTHER PUBLICATIONS

International Preliminary Report on Patentability dated May 14, 2008 (1 page).
 Written Opinion of the International Searching Authority dated Jan. 2, 2007 (5 pages).
 Brochure for Fischer Fixing Systems describing a curtain wall technique using a Fischer Zykon-Panet Anchor FZP-N, downloaded from http://www.fischer.co.uk/PortalData/18/Resources/fixing_systems/act/FZP_anchors/Brochure_FZP_-_N.pdf on Mar. 29, 2011 (6 pages).
 Stonepanels, Inc. technical drawings, Feb. 3, 2009 (2 pages).
 Almag Aluminum, Inc., technical drawing, Feb. 23, 2010 (1 page).
 Allface Smart Fixing Systems, Smart Fixing Systems brochure, downloaded from internet website on Mar. 29, 2014 (4 pages).
 Ashtech Rainscreen Cladding Systems Brochure, Apr. 2005 (retrieved on Aug. 10, 2009) www.ashlandlacy.com/ashtech/index.asp (16 pages).
 CGL Rainscreen System (date unknown) (retrieved on Aug. 10, 2009) www.cglsystems.co.uk/products/metal-facade-systems.htm (1 page).
 Northclad Rainscreen Solutions ACM Series Details (Copyright 2010) (retrieved on-line on Sep. 28, 2010 from <http://northclad.com/products/acm/details>) (5 pages).
 Keith Panel Systems, System Details, self-published technical brochure available at: http://www.keithpanel.com/files/KPSS-SystemA_4mm.pdf. (Copyright 2008) (19 pages).
 Doralco: Architectural Metal Solutions, Product Details Downloads, Composite Wall Panels Details, 07 42 43 Rainscreen Details, self-published technical brochure available at http://www.doralco.com/imgs/07_42_43_Rainscreen_Composite_Panel_%20Details.pdf (Copyright 2009) (38 pages).
 Sobotec Ltd: Architectural Wall Systems, Products, SL-2000 Dry Joint Filler System, self-published technical brochure available at: <http://www.sobotec.com/SL2000.htm> (Apr. 2004) (1 page).
 Office Action dated Jan. 14, 2010 in related U.S. Appl. No. 11/273,303.
 Petersen Aluminum Corporation technical drawings (2008-2009) (retrieved on-line on Sep. 28, 2010 from <http://www.pac-clad.com/products/wall-soffit-systems/composite-wall-panels/>) (2 pages).
 Northclad Rainscreen Solutions manual (Copyright 2009) (21 pages).
 Northclad Rainscreen Solutions brochure from www.northclad.com accessed Nov. 19, 2013 (2 pages).
 Office Action dated Jul. 22, 2013 in co-owned U.S. Appl. No. 13/023,086 (14 pages).

* cited by examiner

Primary Examiner — Karen E Kearney
Assistant Examiner — Nathaniel D Buckner
 (74) *Attorney, Agent, or Firm* — Peter L. Brewer; Baker Donelson

(57)

CLAIM

We claim the ornamental design for a panel attachment extrusion with key, as shown and described.

DESCRIPTION

FIG. 1 is a perspective view of a panel attachment extrusion with key showing our new design, in an assembled configuration of use;
 FIG. 2 is a top view thereof;
 FIG. 3 is a first side view thereof;
 FIG. 4 is a second side view thereof;
 FIG. 5 is a front view thereof;
 FIG. 6 is a rear view thereof;
 FIG. 7 is a bottom view thereof;
 FIG. 8 is a perspective view thereof, shown in an exploded configuration;
 FIG. 9 is a second perspective view thereof;
 FIG. 10 is an enlarged view of the key portion of a panel attachment extrusion with key;
 FIG. 11 is a top view thereof;
 FIG. 12 is a first side view thereof;
 FIG. 13 is a second side view thereof;
 FIG. 14 is a front view thereof;
 FIG. 15 is a back view thereof;
 FIG. 16 is a bottom view thereof;
 FIG. 17 is a perspective view of a second embodiment of a panel attachment extrusion with key;
 FIG. 18 is a second perspective view thereof;
 FIG. 19 is a top view thereof;
 FIG. 20 is a first side view thereof;
 FIG. 21 is a second side view thereof;
 FIG. 22 is a front view thereof;
 FIG. 23 is a back view thereof;
 FIG. 24 is a bottom view thereof; and,
 FIG. 25 is a perspective view thereof, shown in an exploded configuration.
 The broken away symbols in the drawings indicate the appearance of any portion of an article between the break lines that forms no portion of the claimed design.
 The broken lines and features shown in broken lines depict portions of the panel attachment extrusion with key that form no part of the claimed design.

1 Claim, 14 Drawing Sheets

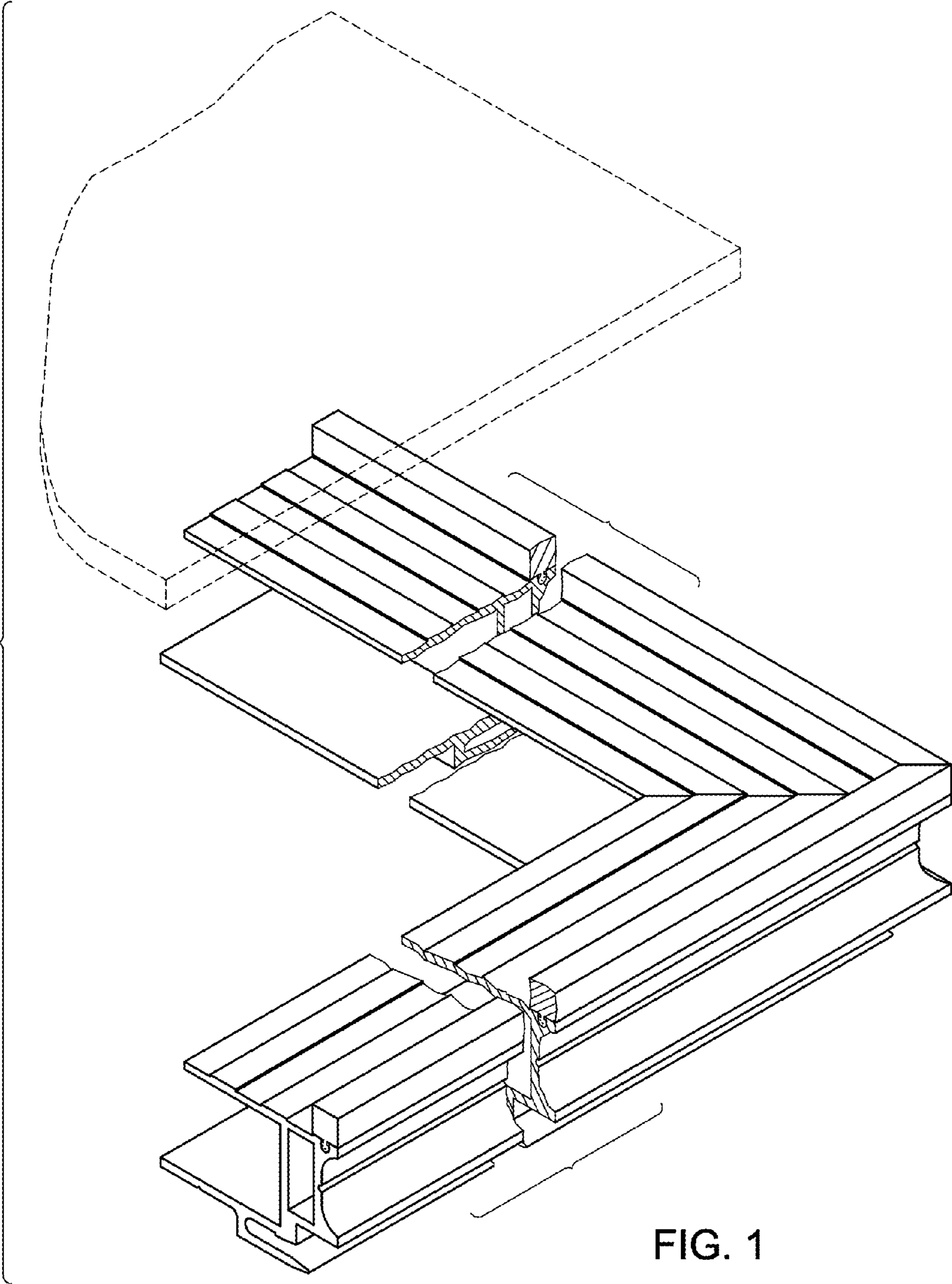


FIG. 1

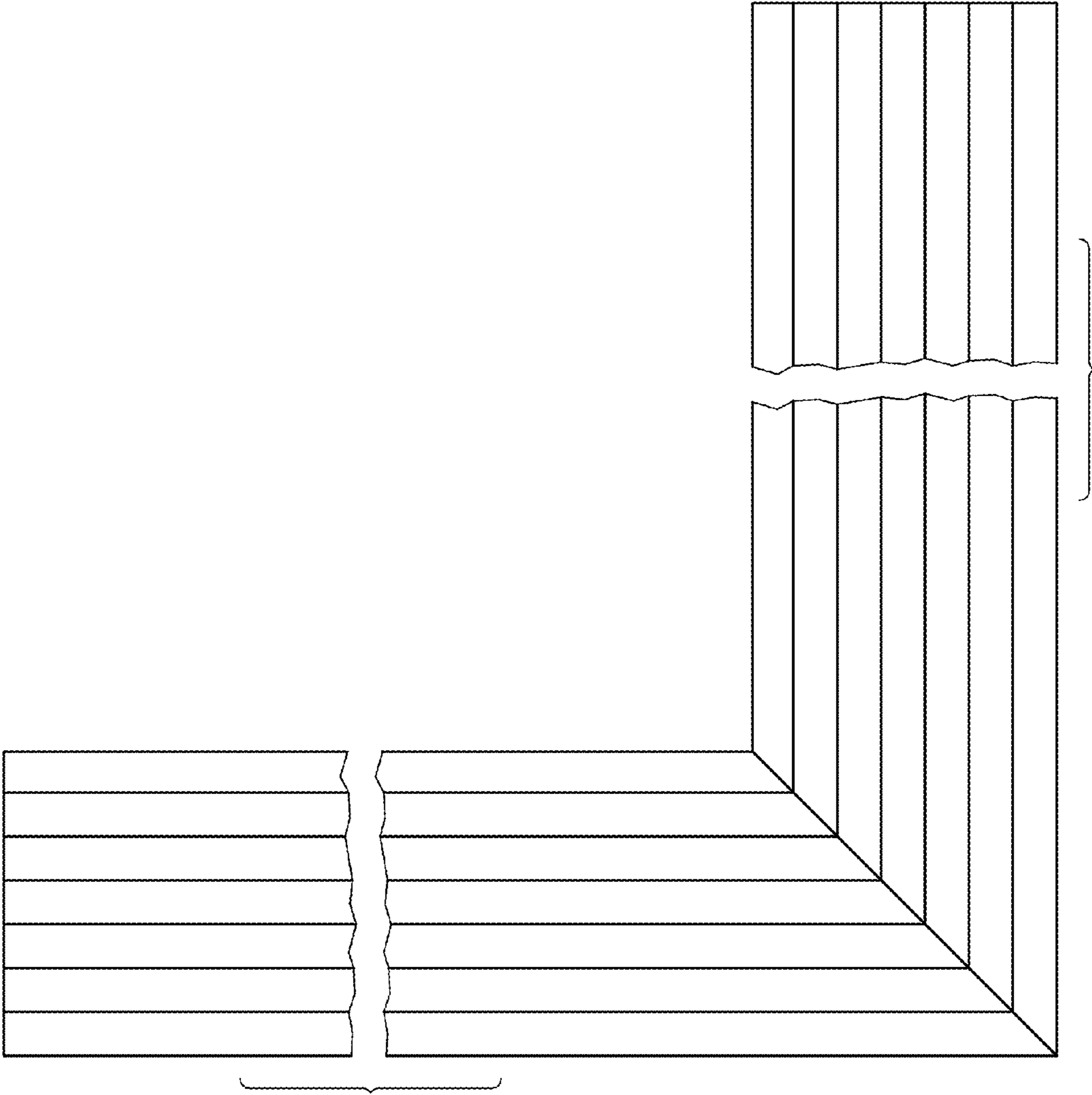


FIG. 2

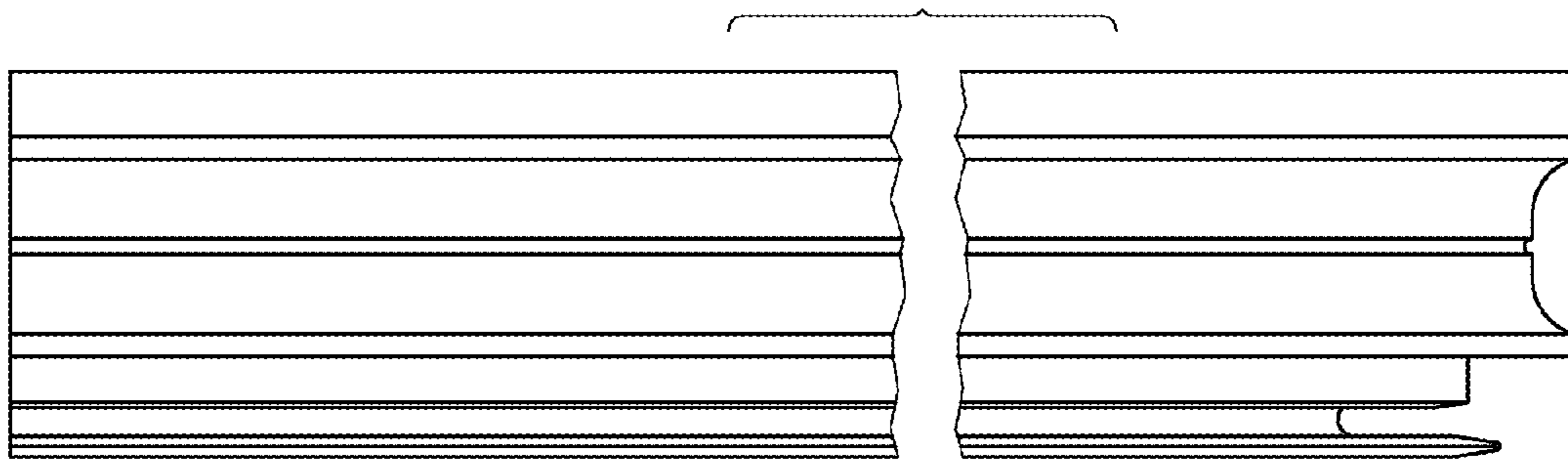


FIG. 3

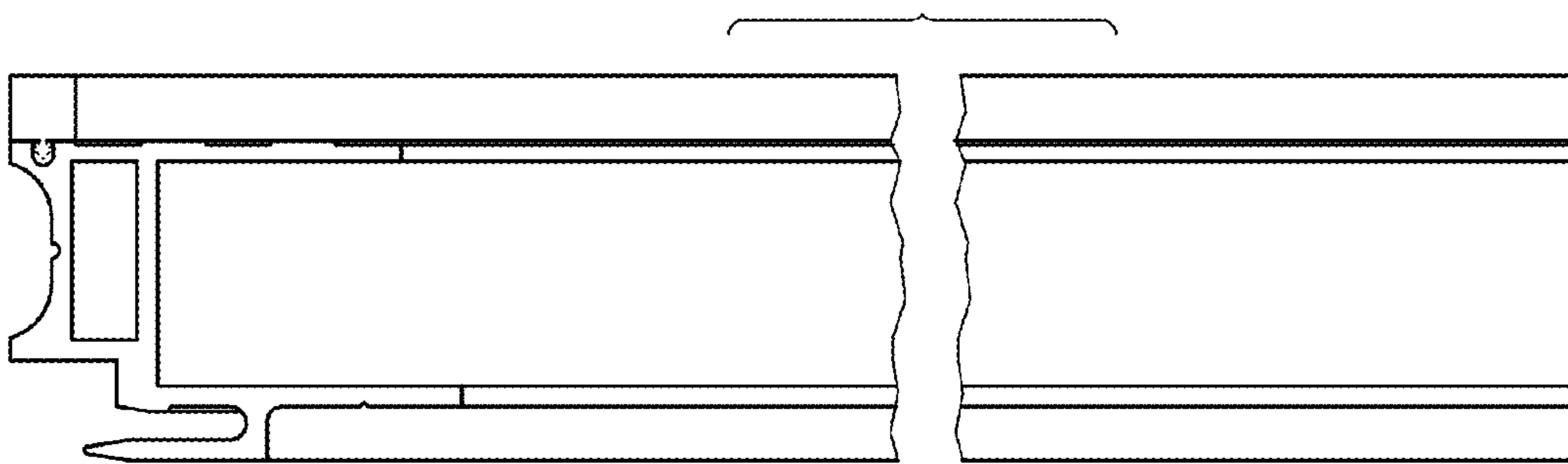


FIG. 4

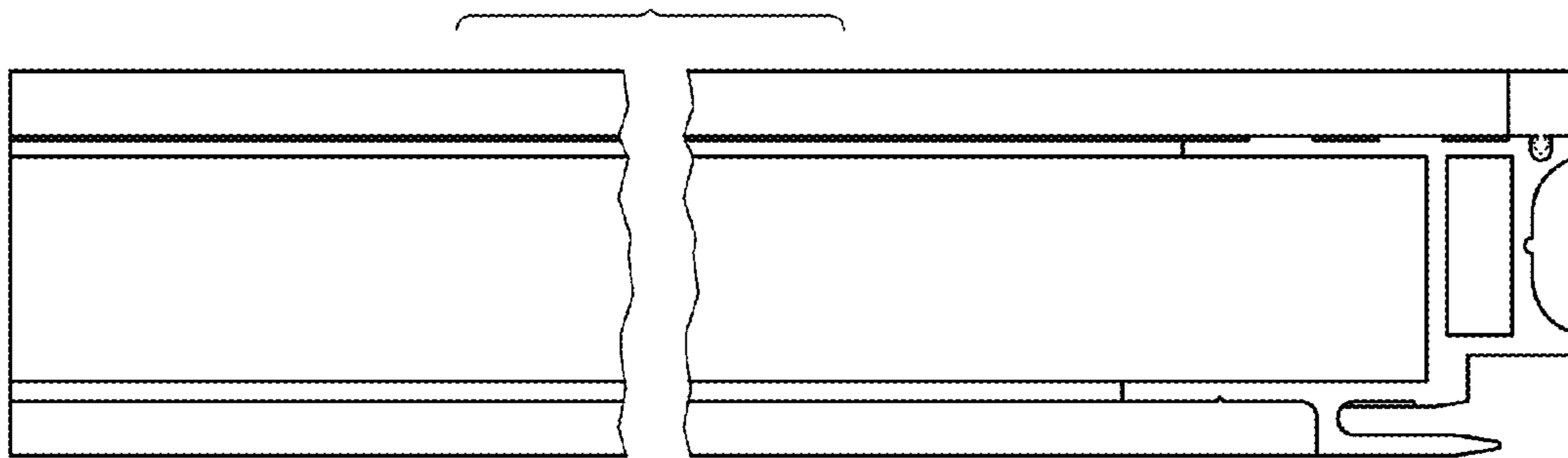


FIG. 5

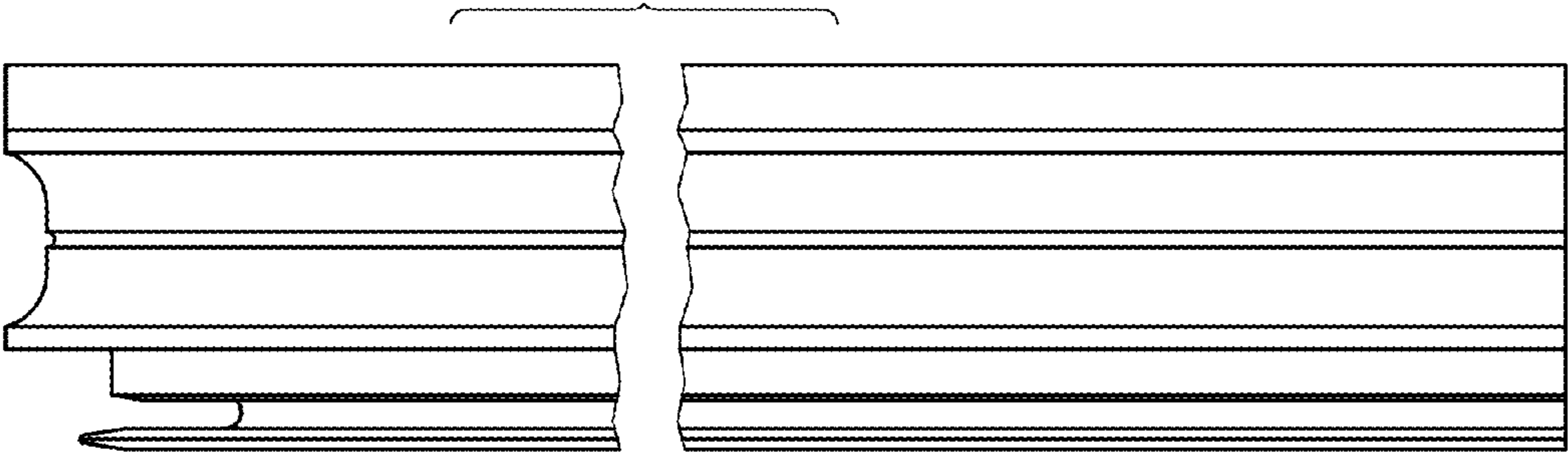


FIG. 6

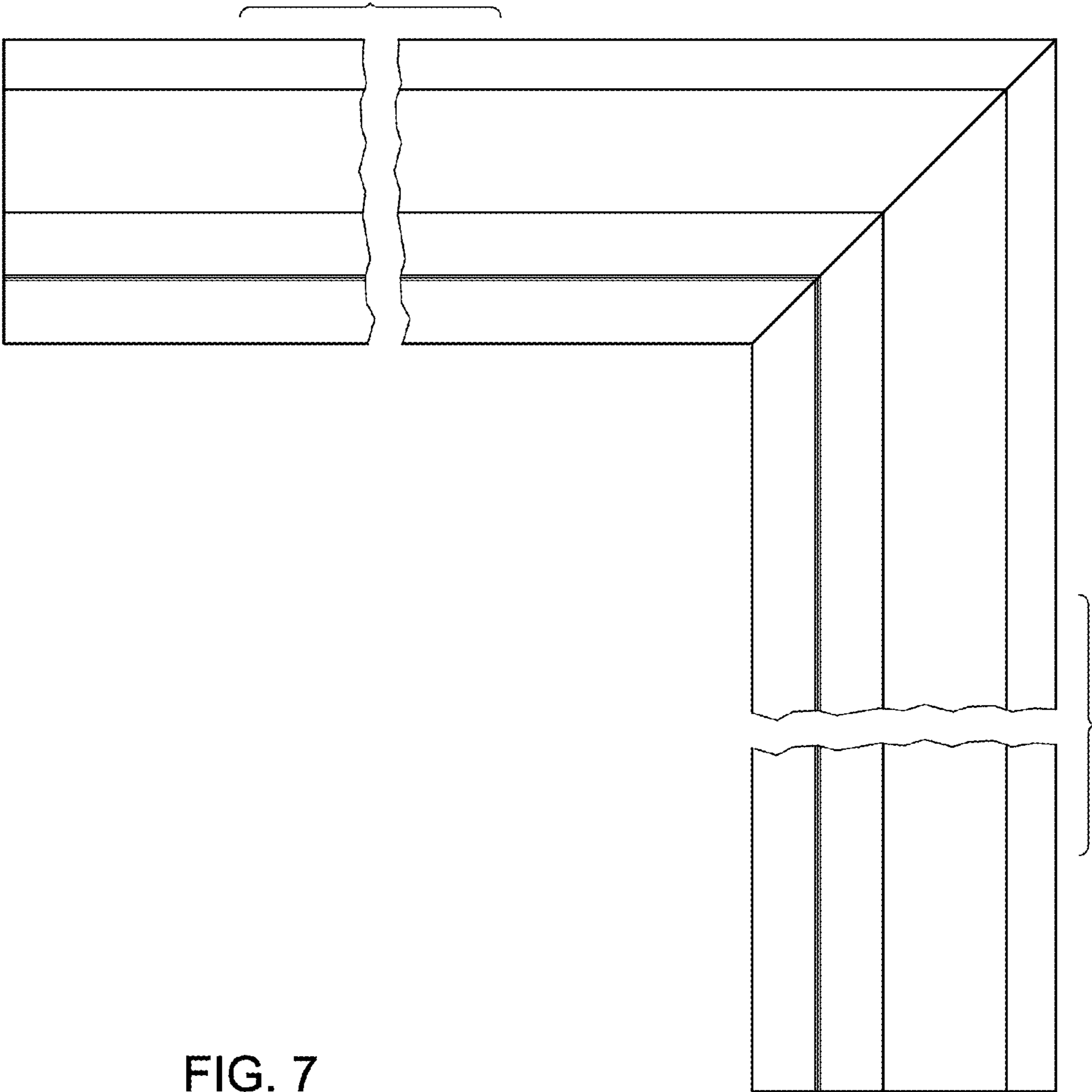


FIG. 7

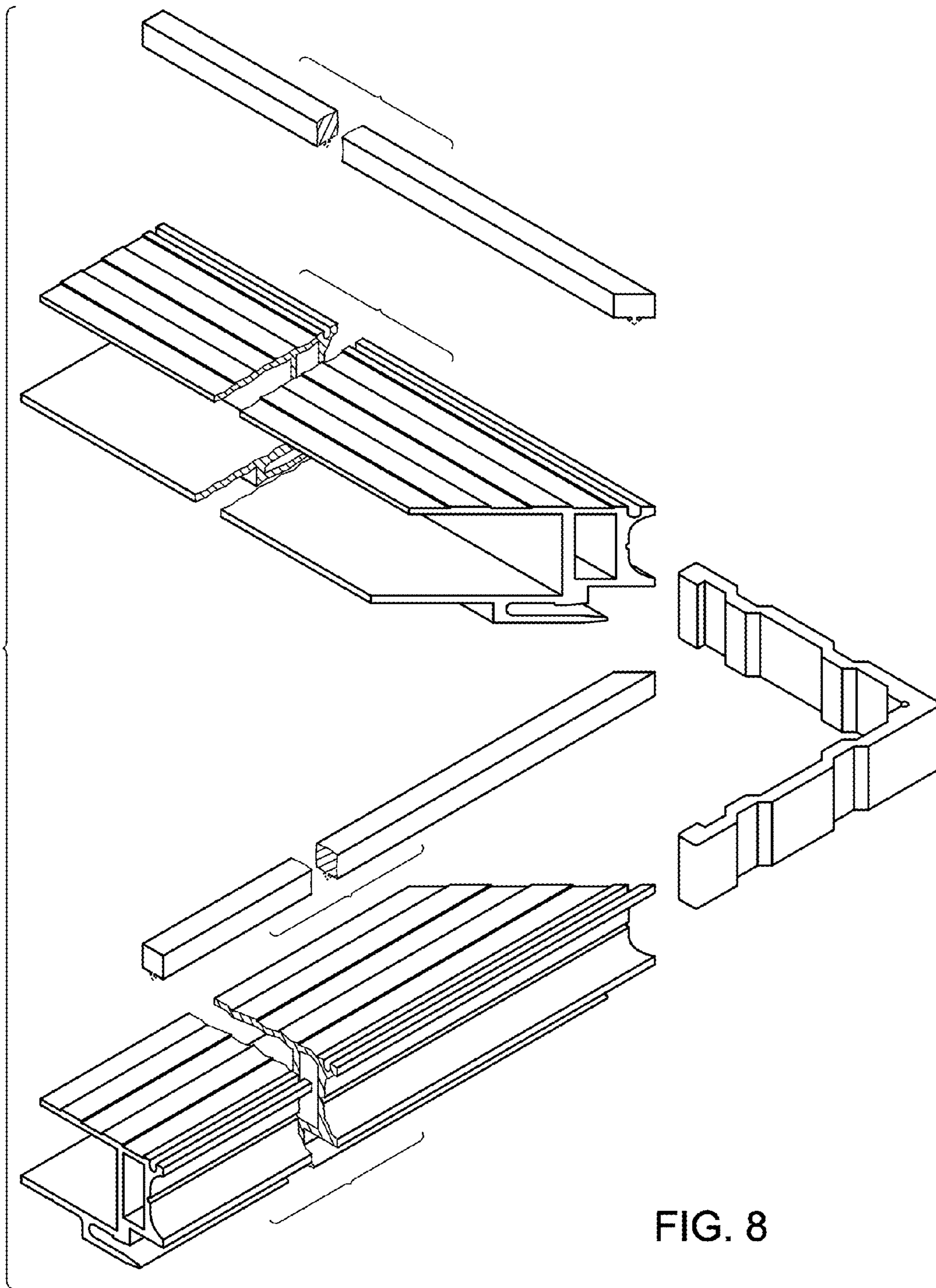


FIG. 8

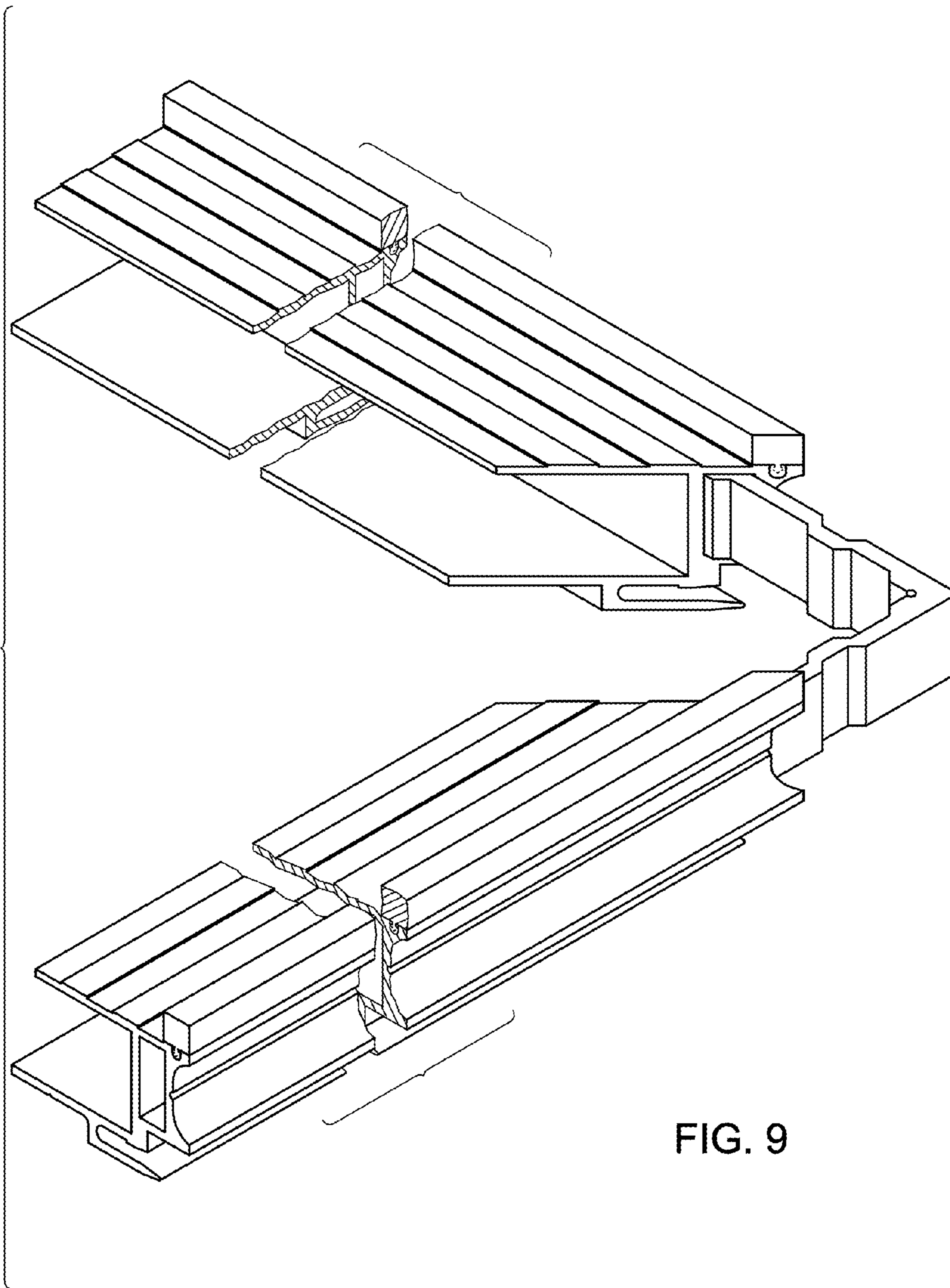


FIG. 9

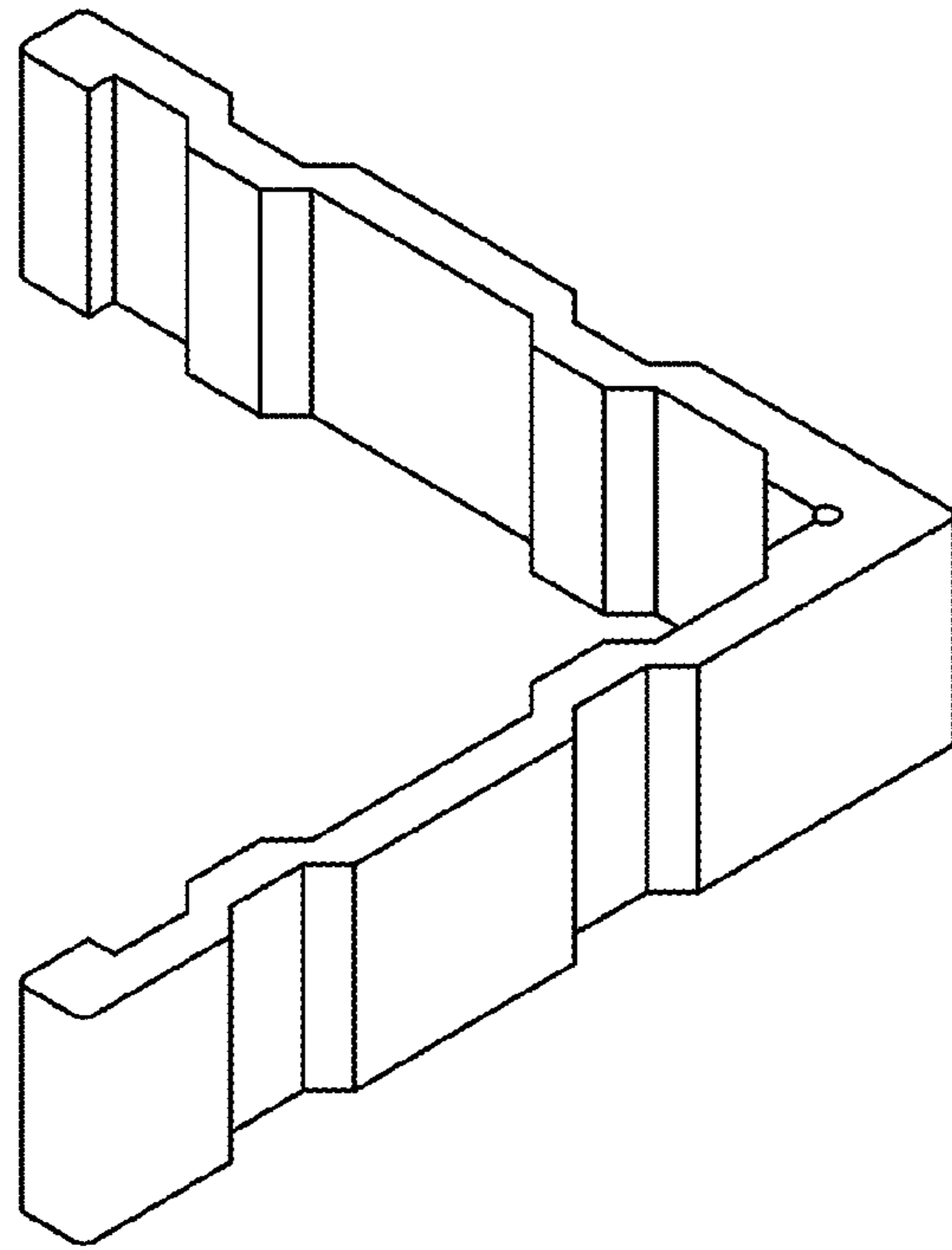


FIG. 10

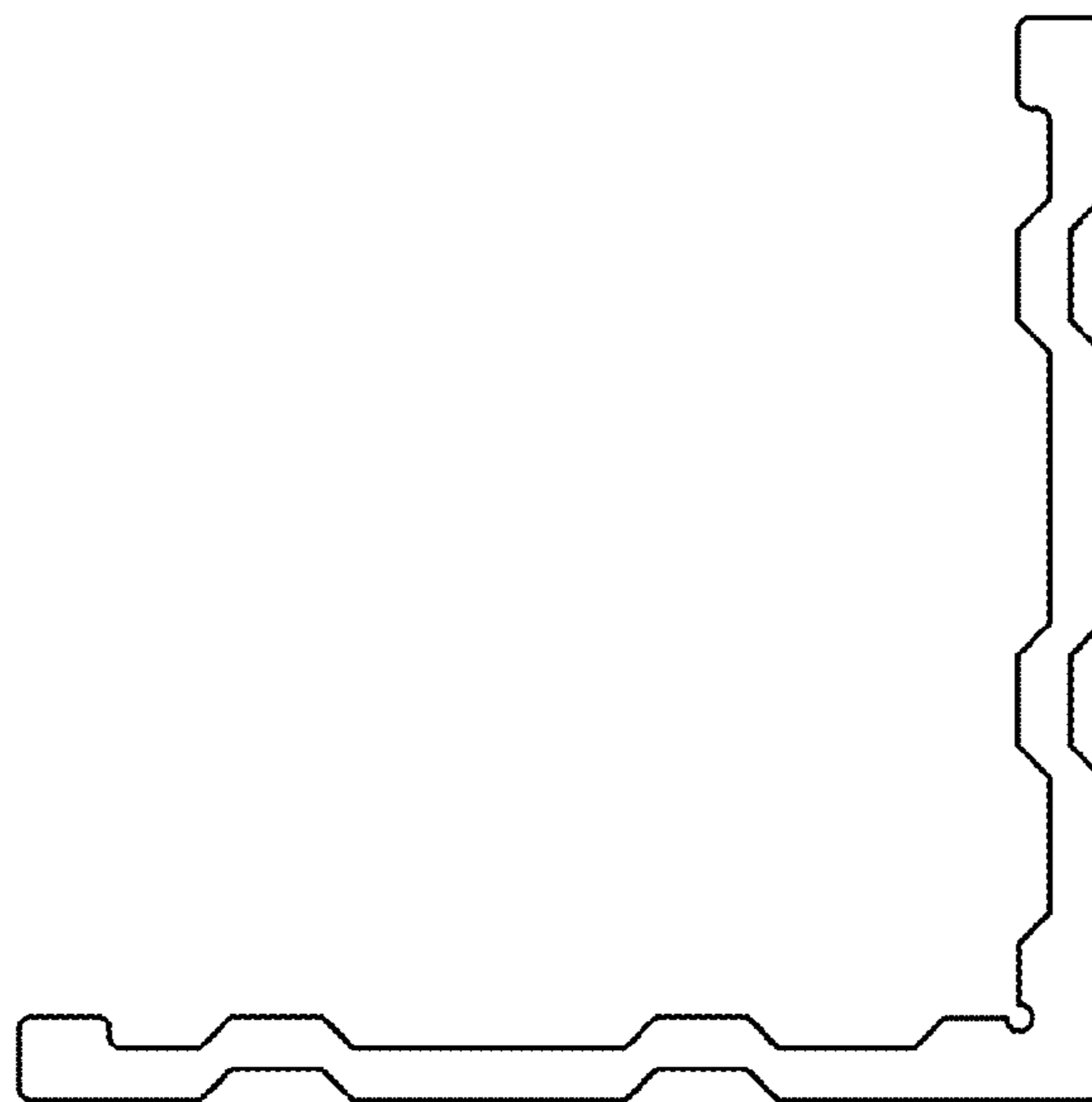


FIG. 11

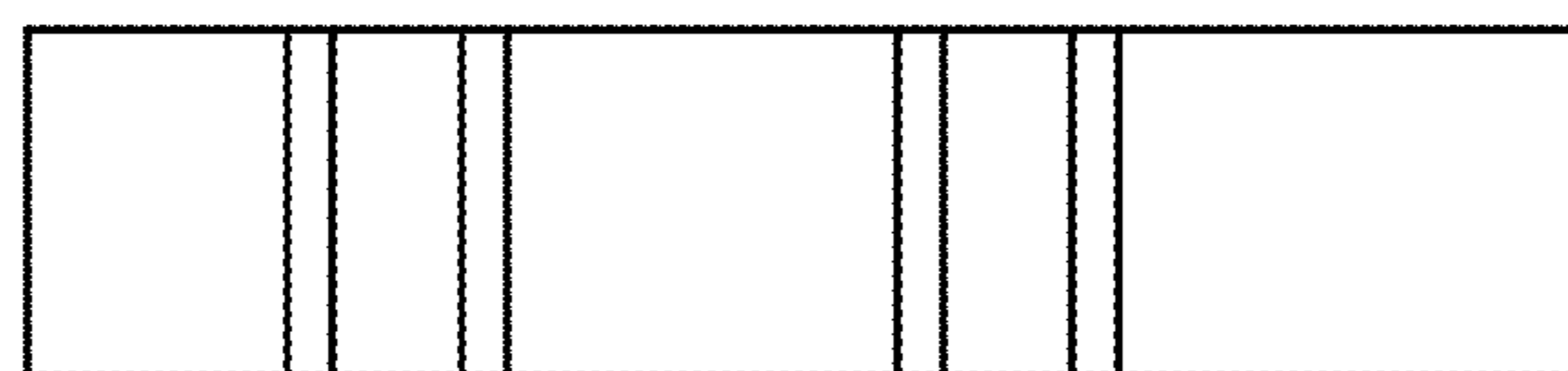


FIG. 12

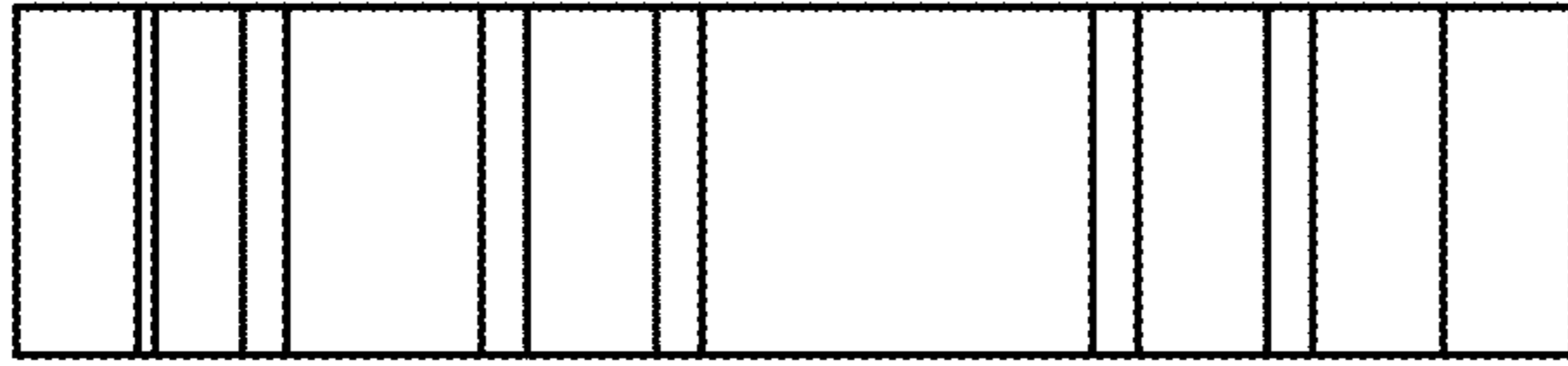


FIG. 13

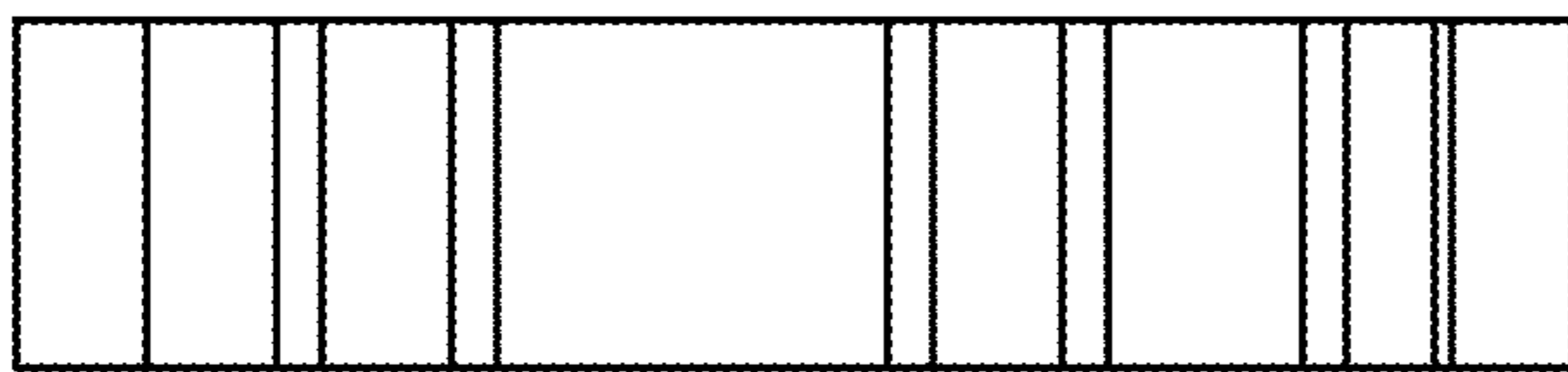


FIG. 14

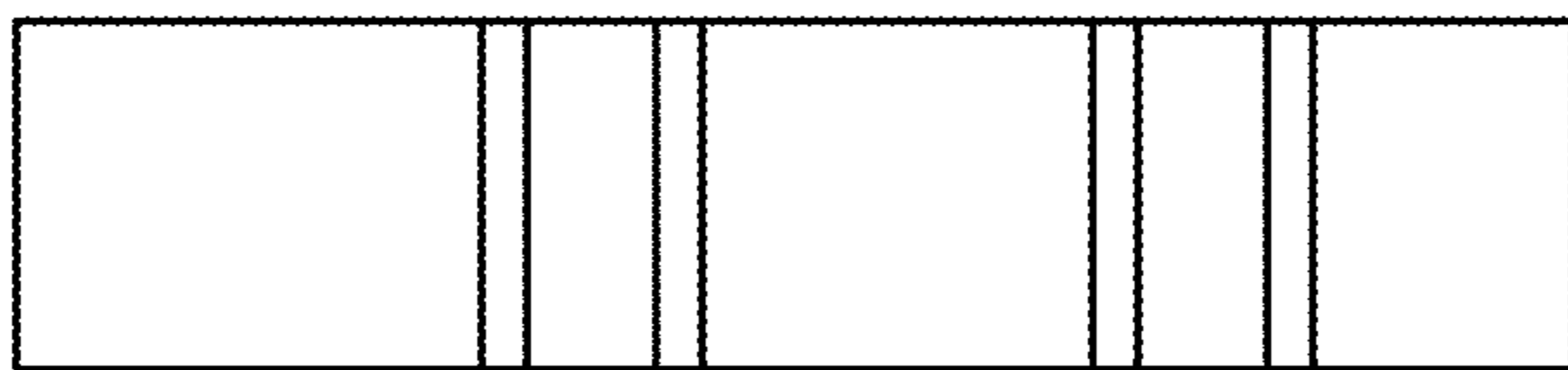


FIG. 15

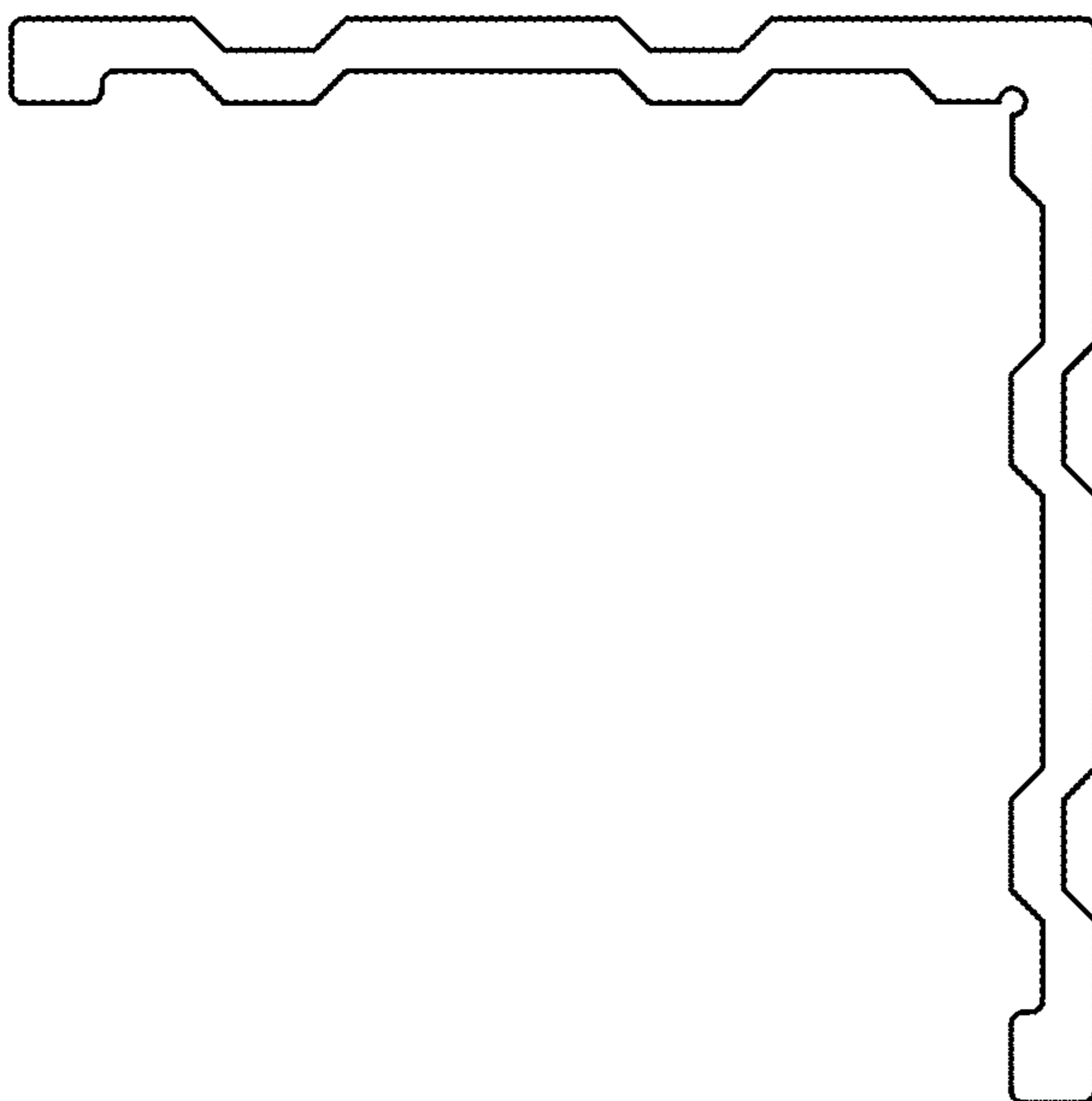
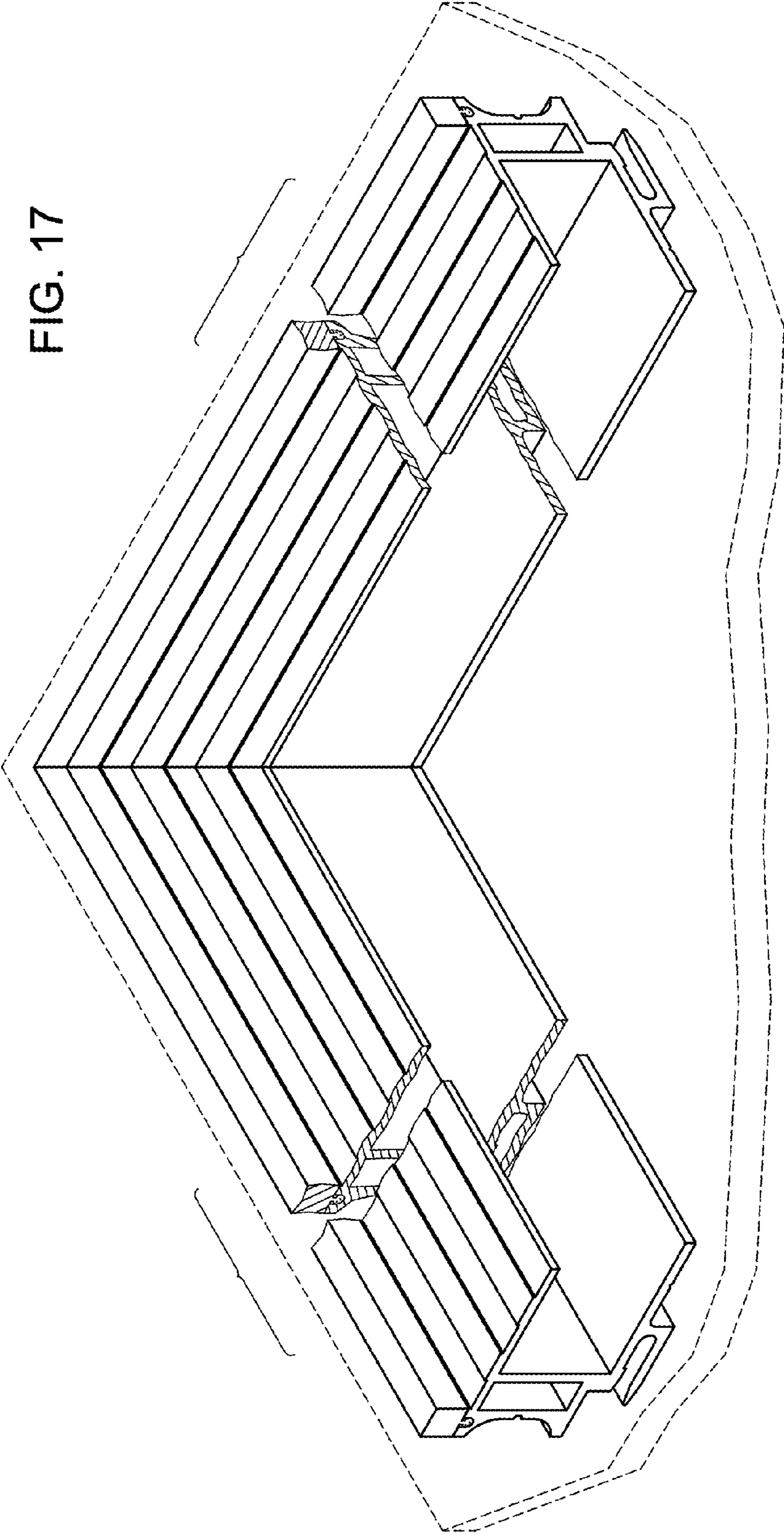


FIG. 16

FIG. 17



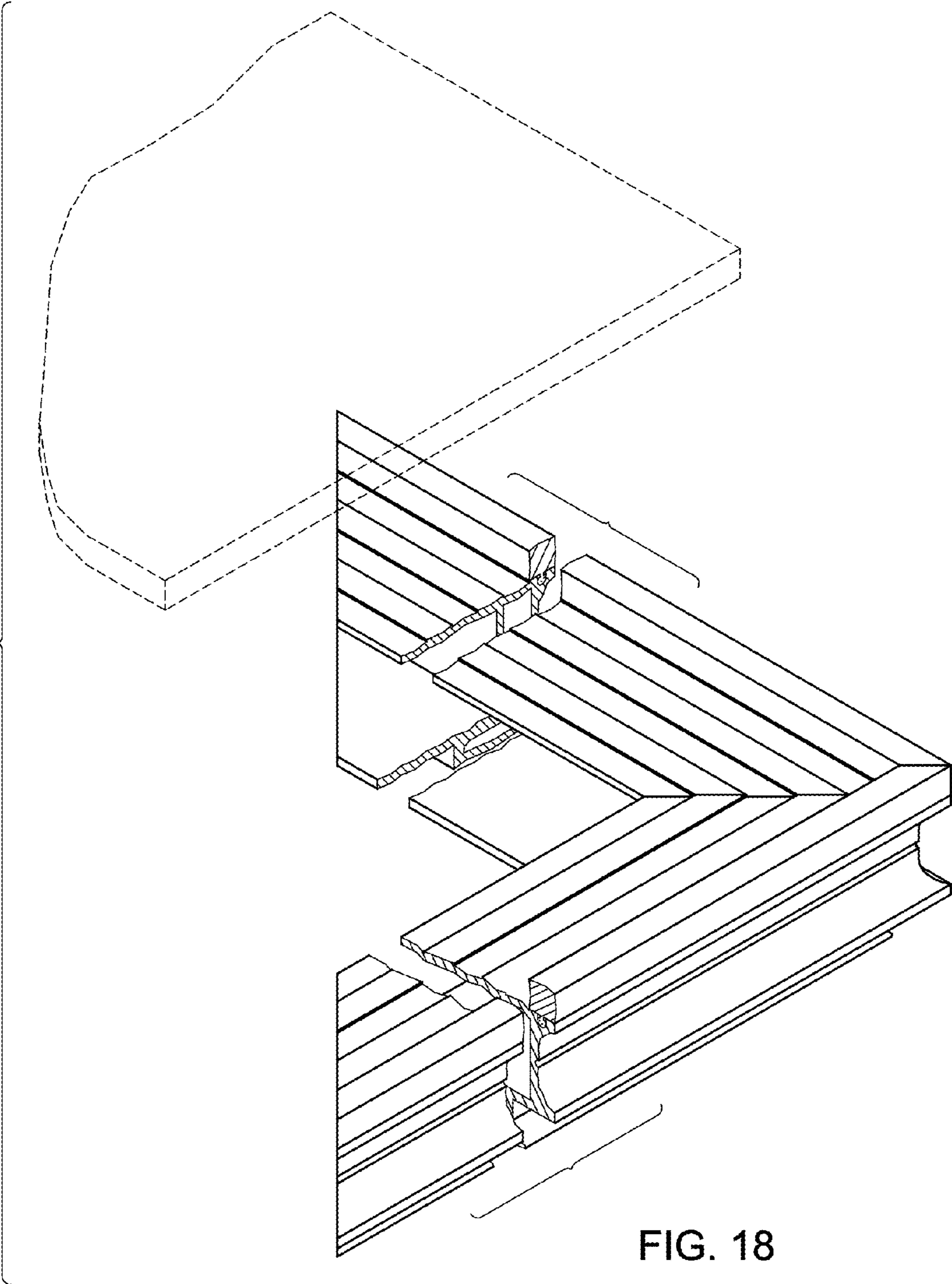


FIG. 18

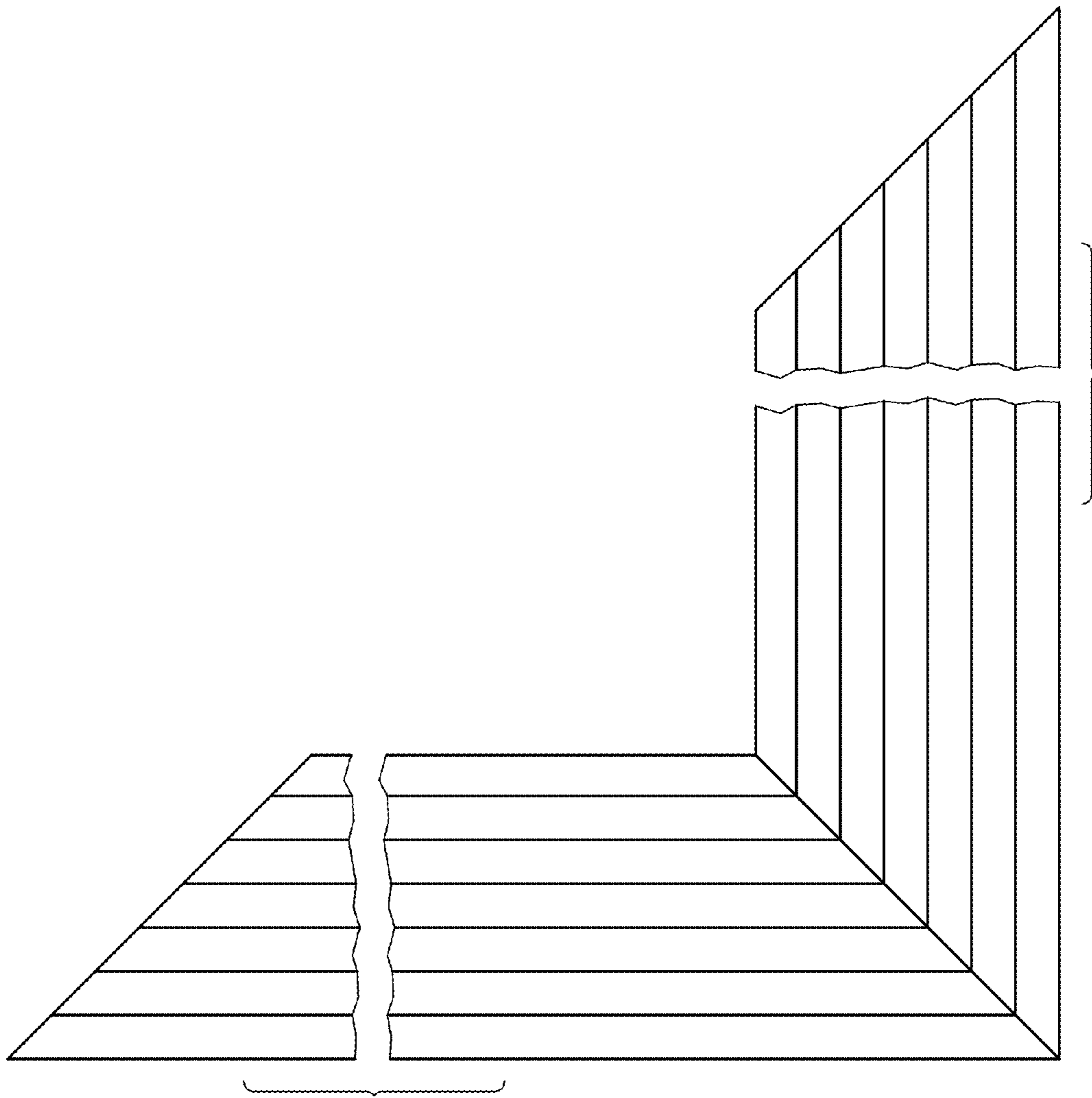


FIG. 19

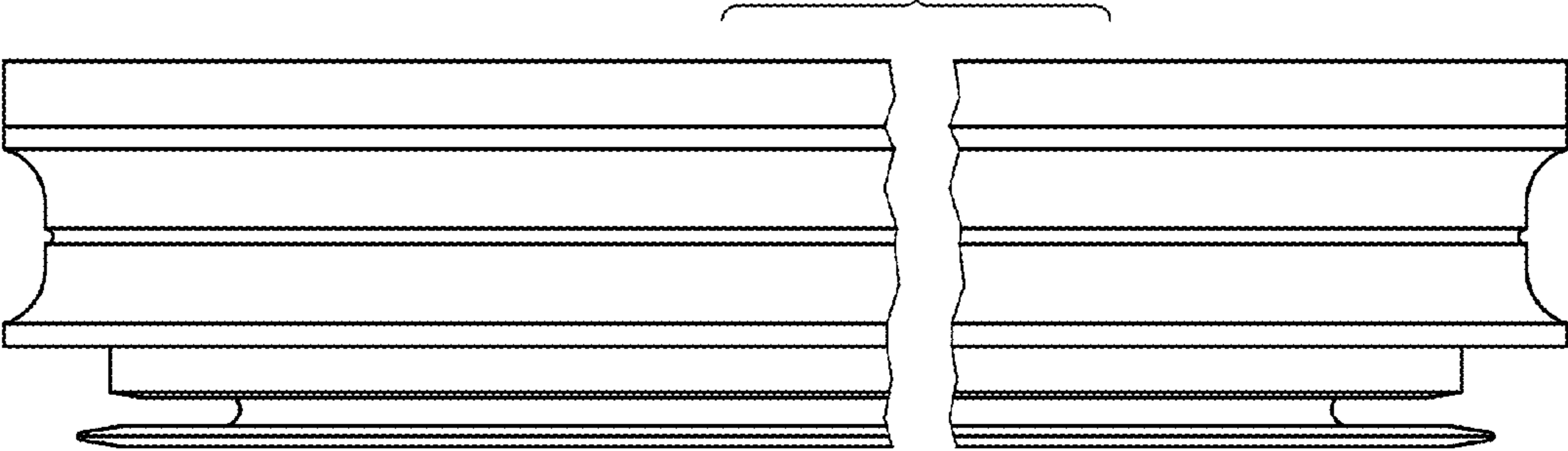


FIG. 20

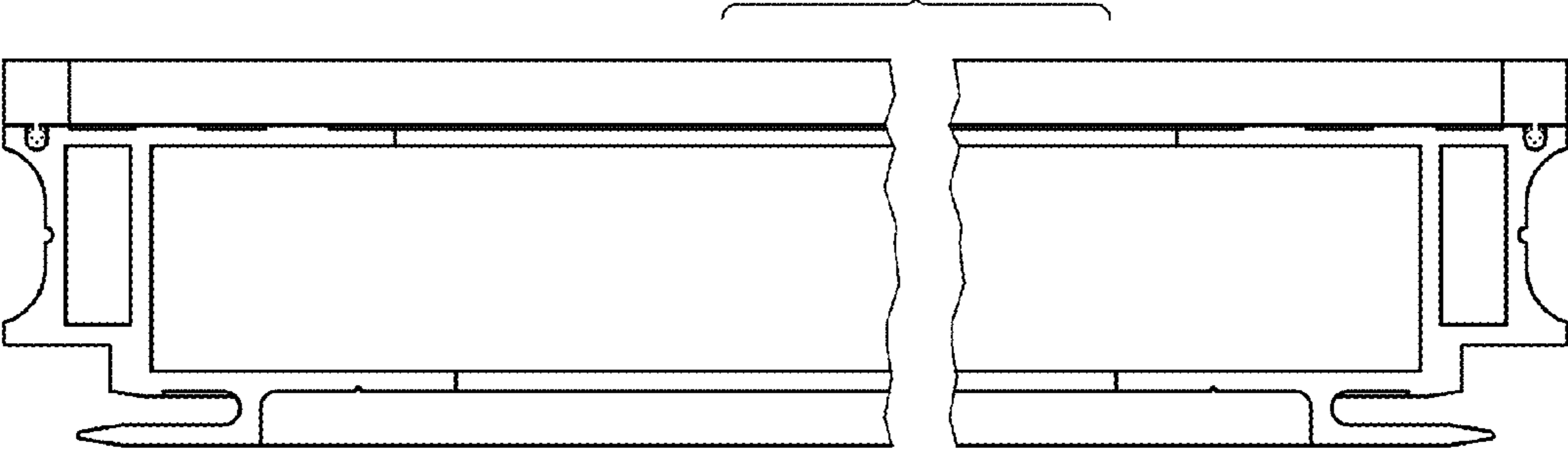


FIG. 21

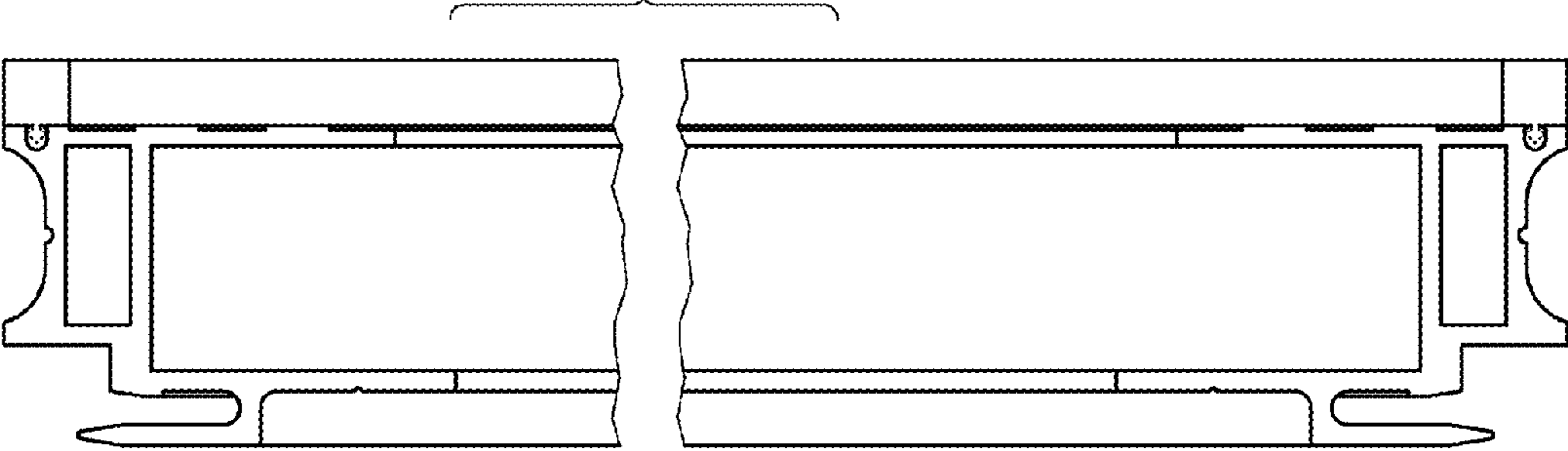


FIG. 22

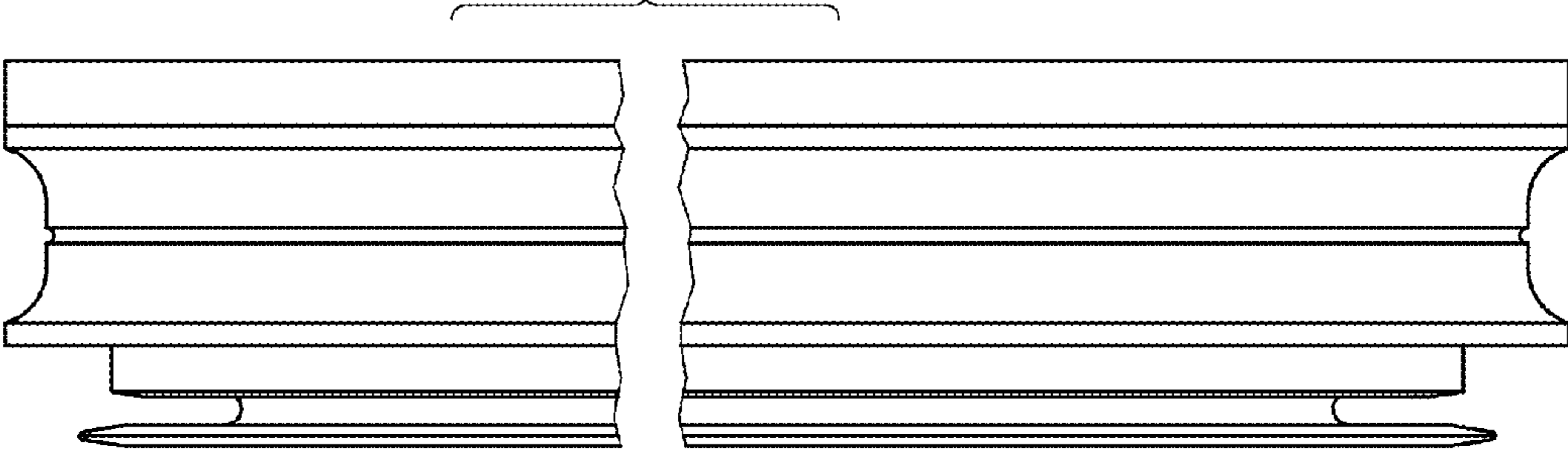


FIG. 23

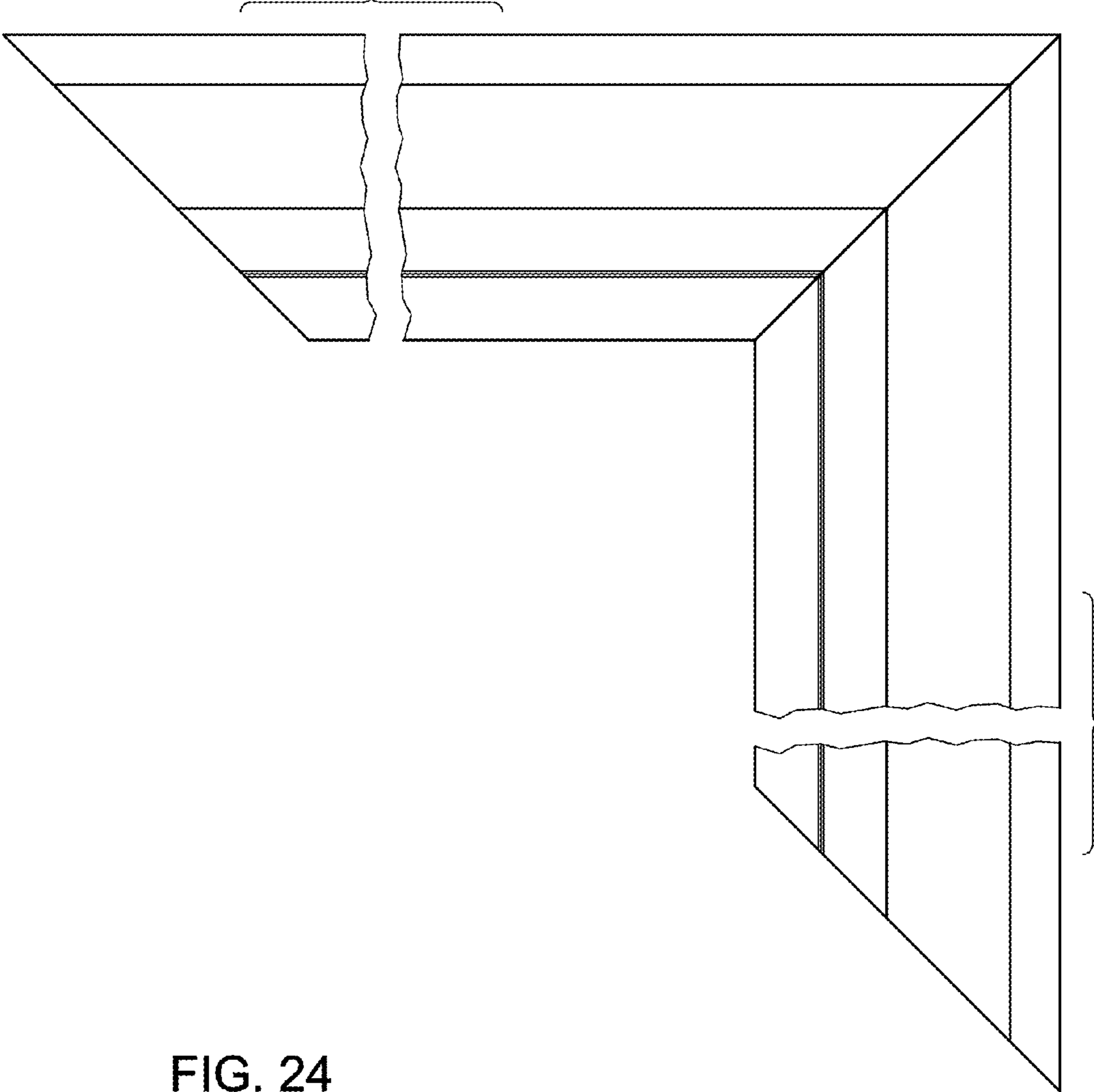


FIG. 24

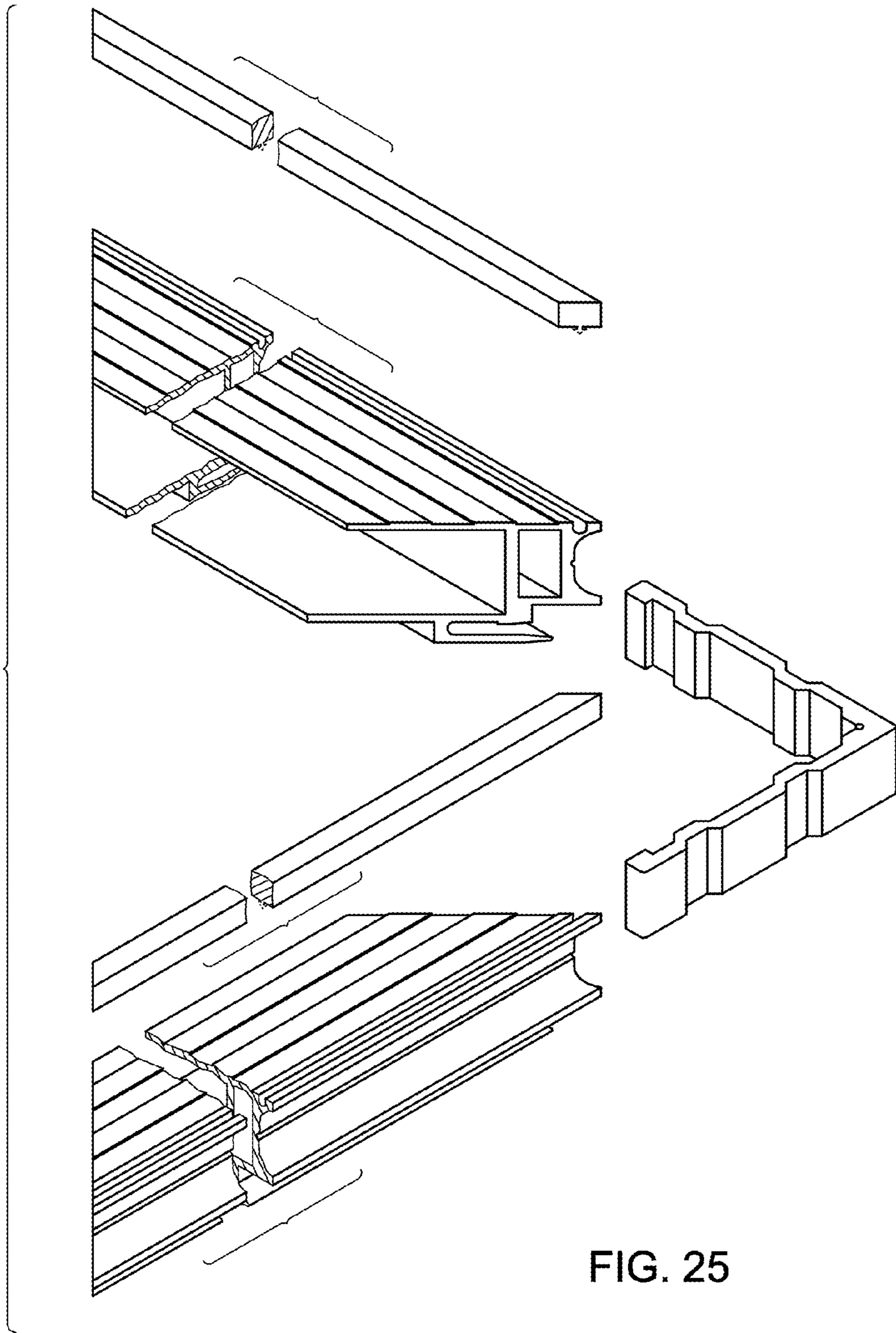


FIG. 25