



US00D744666S

(12) **United States Design Patent**
Weber

(10) **Patent No.:** **US D744,666 S**

(45) **Date of Patent:** **** Dec. 1, 2015**

(54) **DECKING**

(71) Applicant: **Thorsten Weber**, Leverkusen (DE)

(72) Inventor: **Thorsten Weber**, Leverkusen (DE)

(73) Assignee: **Reifenhäuser GmbH & Co. KG**
Maschinenfabrik, Troisdorf (DE)

(**) Term: **14 Years**

(21) Appl. No.: **29/477,333**

(22) Filed: **Dec. 20, 2013**

(30) **Foreign Application Priority Data**

Jun. 21, 2013 (DE) 20 2013 102 695
Jun. 21, 2013 (EM) 002260398-0001
Jun. 21, 2013 (EM) 002260398-0002
Jun. 21, 2013 (EM) 002260398-0003

(51) **LOC (10) Cl.** **25-01**

(52) **U.S. Cl.**
USPC **D25/119**

(58) **Field of Classification Search**
USPC D25/119, 199, 58, 61, 121, 136;
52/590.1, 590.2, 578, 580, 581, 588.1,
52/589.1, 650.3, 731.1, 177, 579, 489.1,
52/732.2; 49/DIG. 2, 504, 505; 296/122.1,
296/184.1; 15/238; 405/218, 219
CPC E04B 1/00; E04B 2/00; E04B 2/30;
E04B 2/94; F04C 2/26; E04C 2/38; E04H
5/00; E04H 5/08; E04H 17/00
See application file for complete search history.

(56) **References Cited**

U.S. PATENT DOCUMENTS

3,043,407 A * 7/1962 Marrayatt 52/588.1
3,046,852 A * 7/1962 Graham 52/581

3,555,782 A * 1/1971 Derringer 95/162
4,947,595 A * 8/1990 Douds et al. 52/177
D331,470 S * 12/1992 Mitchell et al. D25/156
5,836,128 A * 11/1998 Groh et al. 52/580
5,881,502 A * 3/1999 Tamlyn 52/94
D485,621 S * 1/2004 Deel D25/119
D487,316 S * 3/2004 Suwanda et al. D25/138
6,918,221 B2 * 7/2005 Williams 52/592.1
7,181,889 B2 * 2/2007 Perkowski et al. 52/177
D684,705 S * 6/2013 Curtas D25/119

* cited by examiner

Primary Examiner — Prabhakar Deshmukh

(74) *Attorney, Agent, or Firm* — Pauley Erickson & Kottis

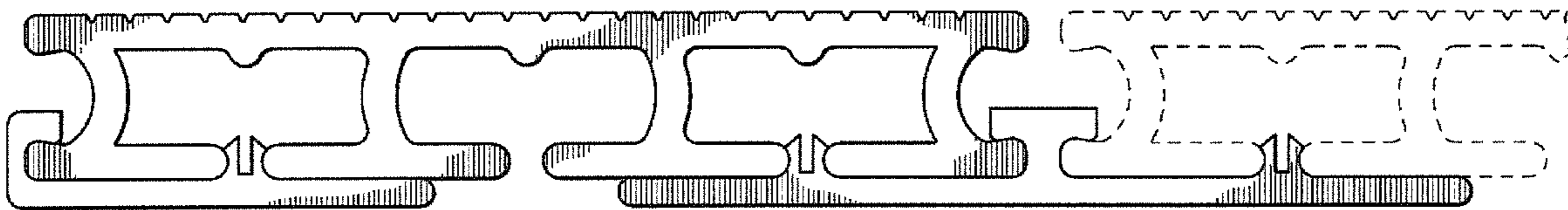
(57) **CLAIM**

The ornamental design for a decking, as shown and described.

DESCRIPTION

FIG. 1 is a front elevational view of a decking showing my new design;
FIG. 2 is a perspective view of a decking, shown without connectors for clarity;
FIG. 3 is a top plan view of FIG. 2;
FIG. 4 is a side elevational view of FIG. 2;
FIG. 5 is a front elevational view of FIG. 2;
FIG. 6 is a bottom plan view of FIG. 2;
FIG. 7 is a perspective view of an end connector of decking, shown separately for clarity of illustration;
FIG. 8 is a top plan view of FIG. 7;
FIG. 9 is a front elevational view of FIG. 7;
FIG. 10 is a left side elevational view of FIG. 7;
FIG. 11 is a perspective view of a middle connector of decking, shown separately for clarity of illustration;
FIG. 12 is a top plan view of FIG. 11;
FIG. 13 is a front elevational view of FIG. 11; and
FIG. 14 is a side elevational view of FIG. 11.
The broken lines indicate environment and forms no part of the claimed design.

1 Claim, 5 Drawing Sheets



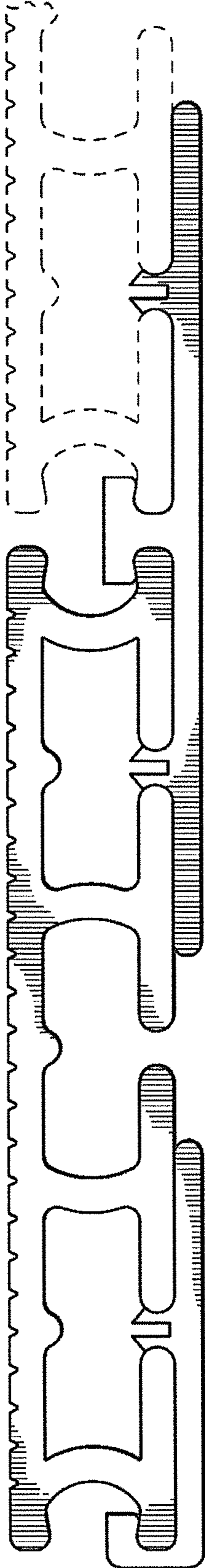


Fig. 1

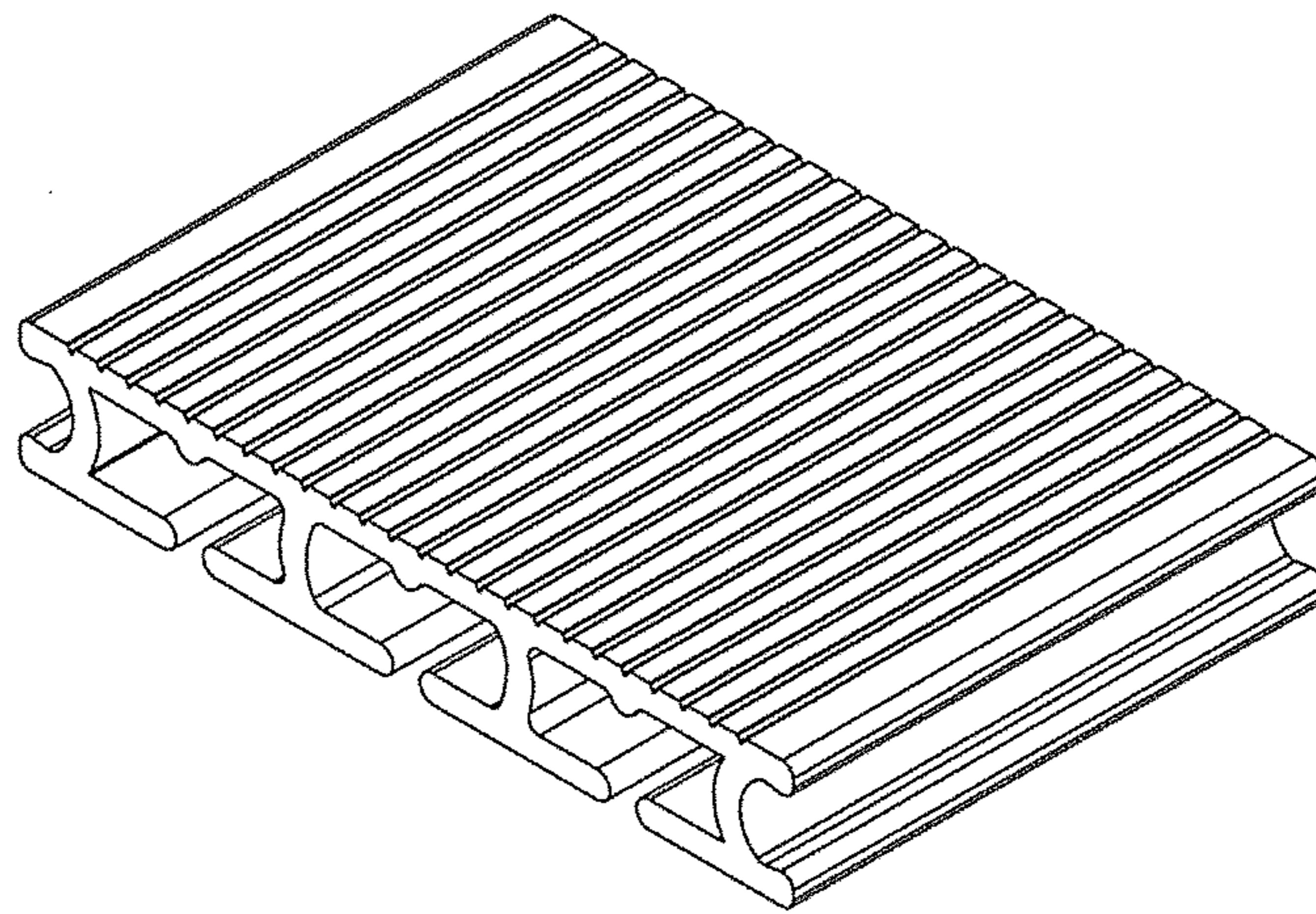


Fig. 2

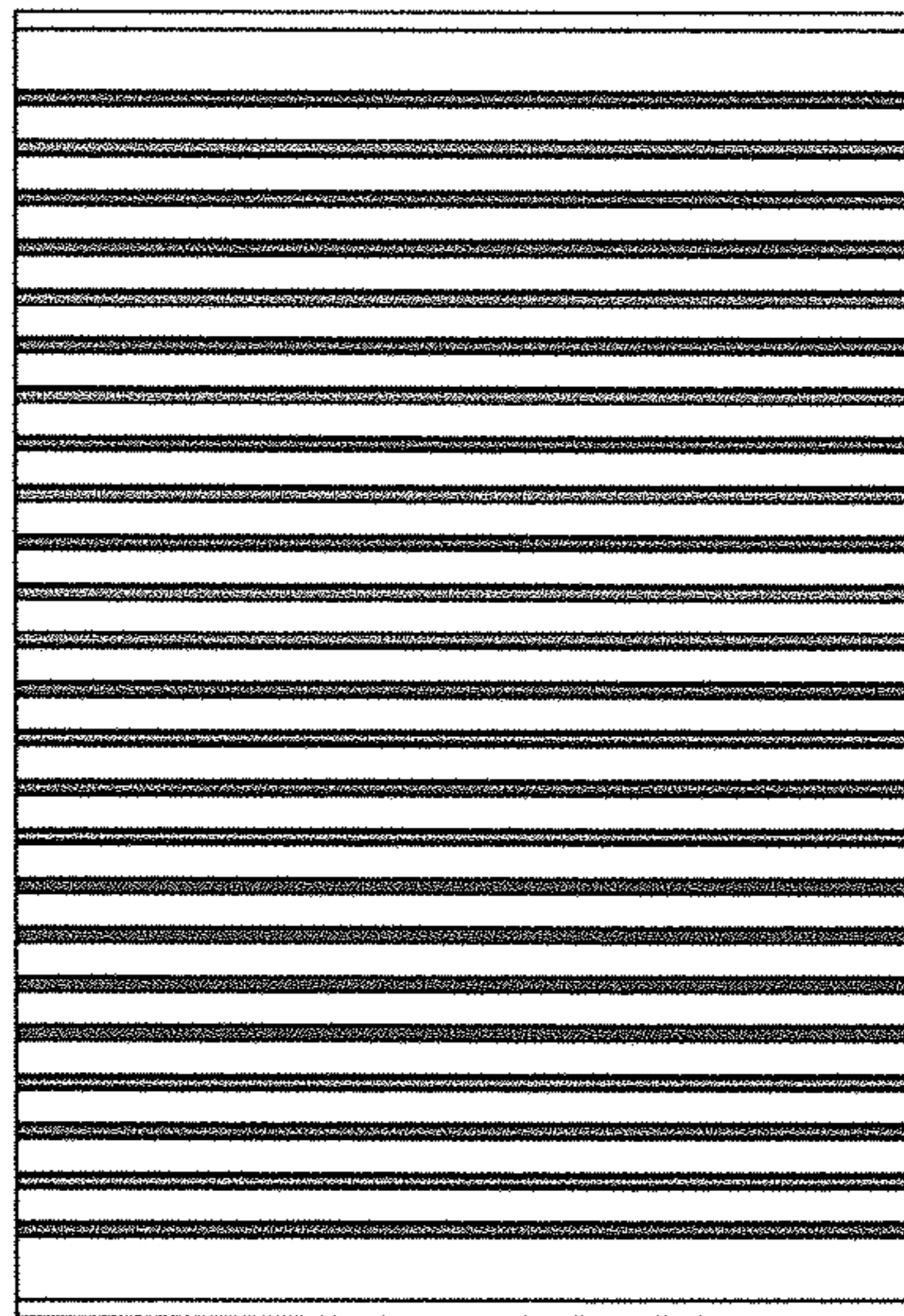


Fig. 3

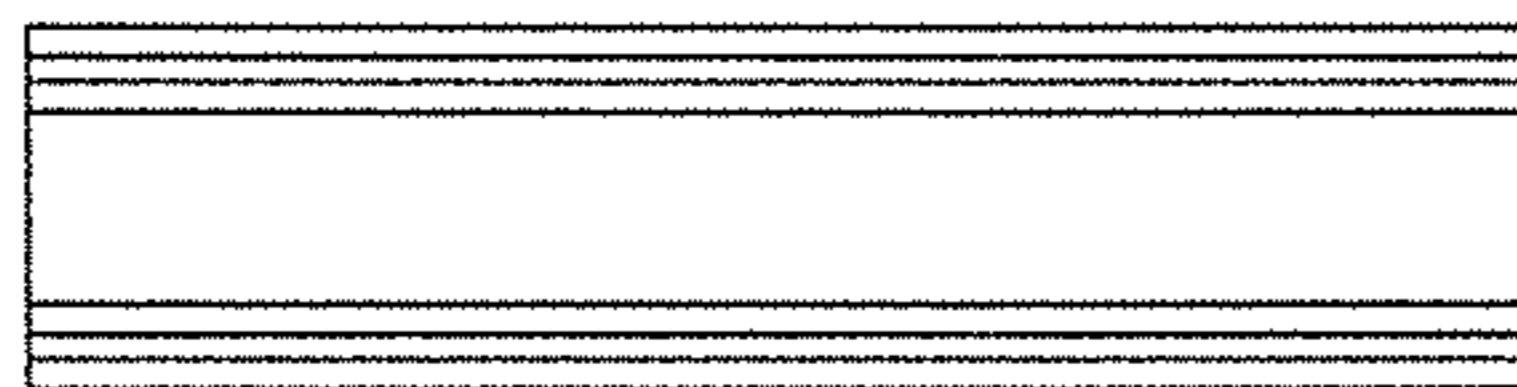


Fig. 4

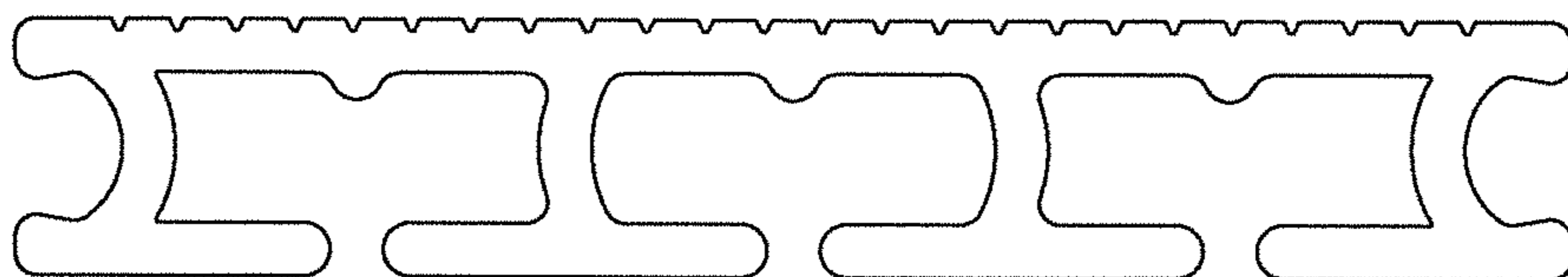


Fig. 5

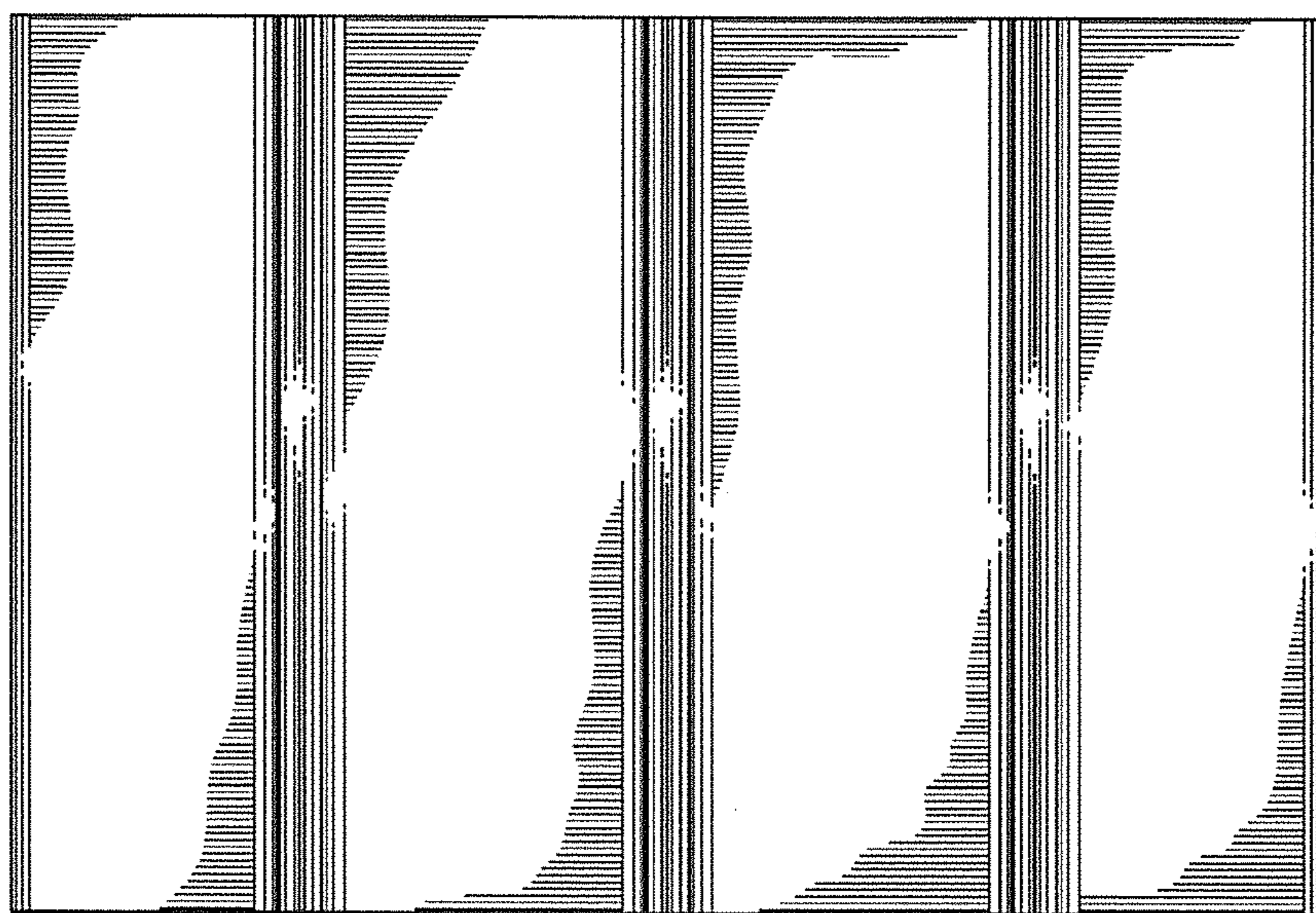


Fig. 6

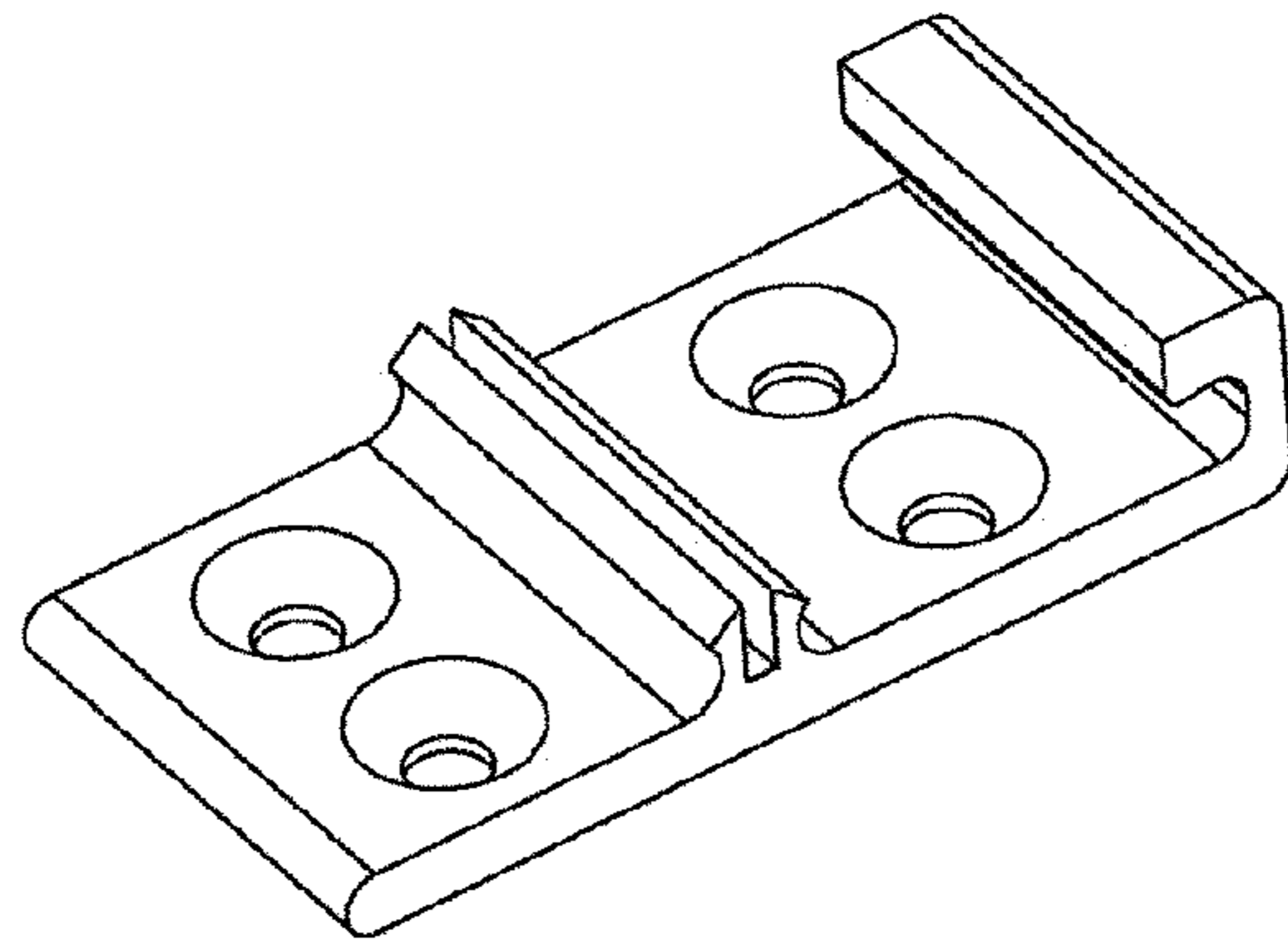


Fig. 7

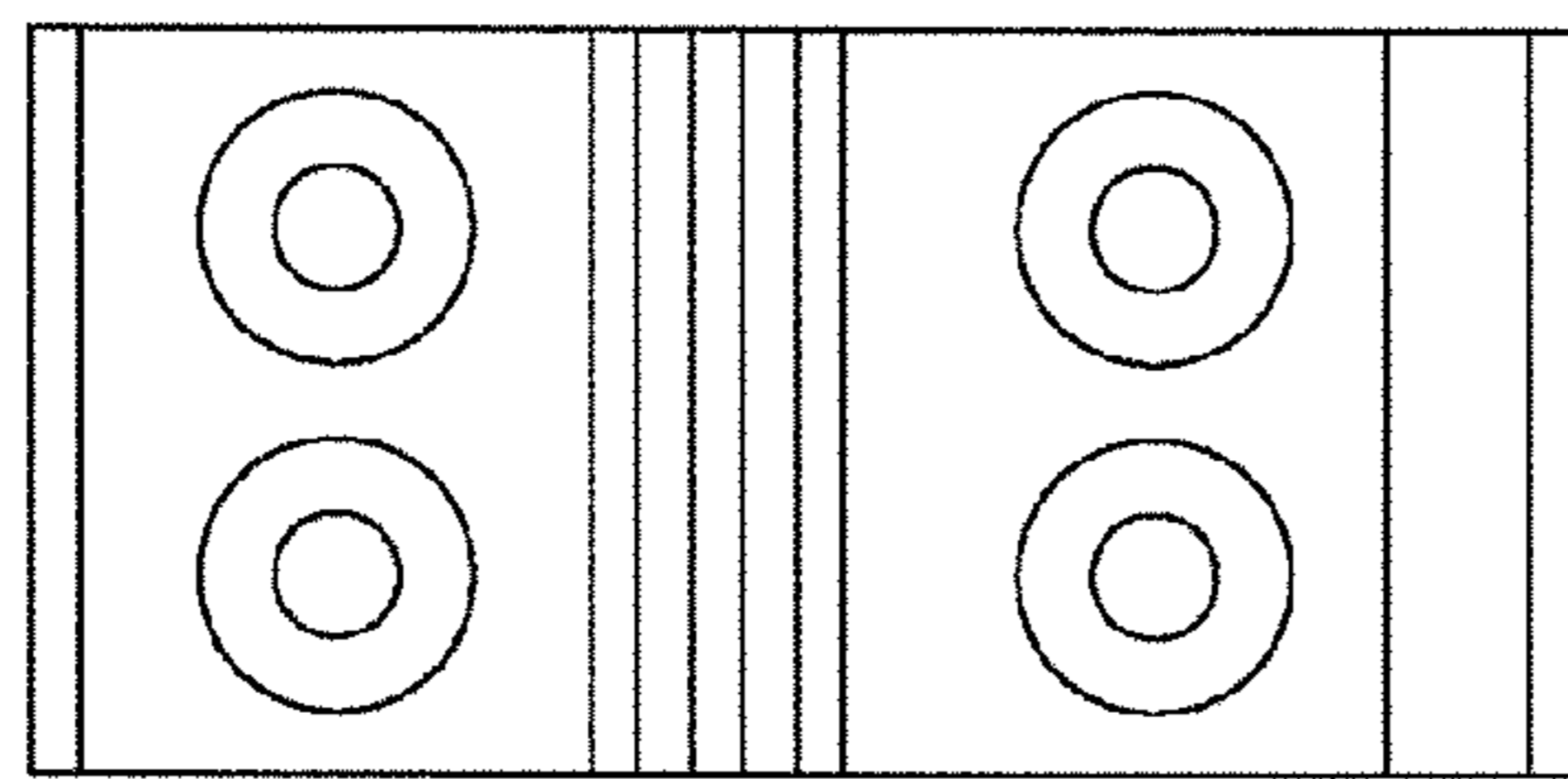


Fig. 8

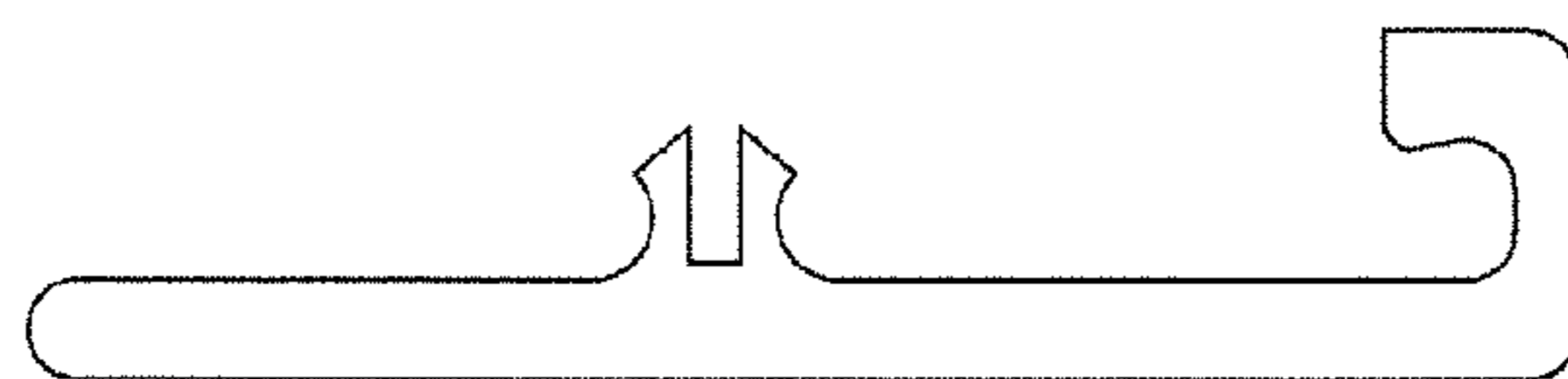


Fig. 9

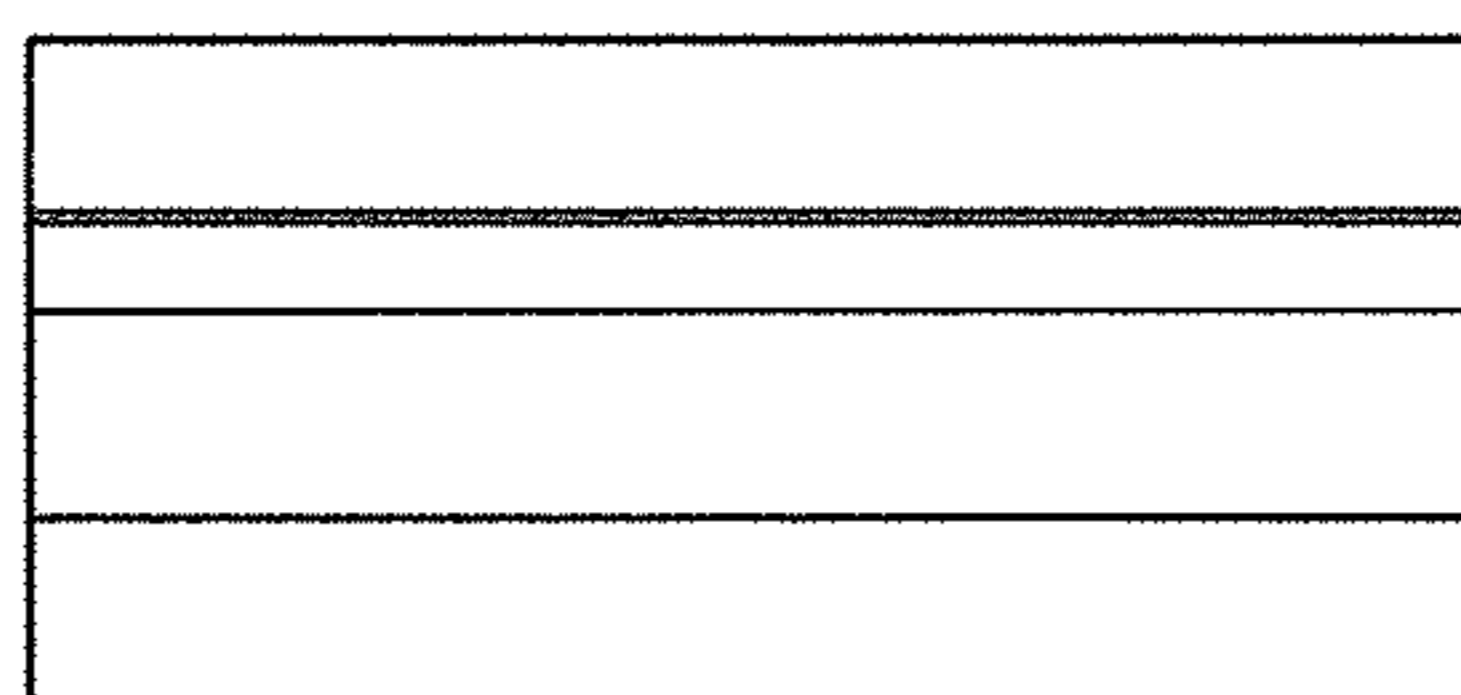


Fig. 10

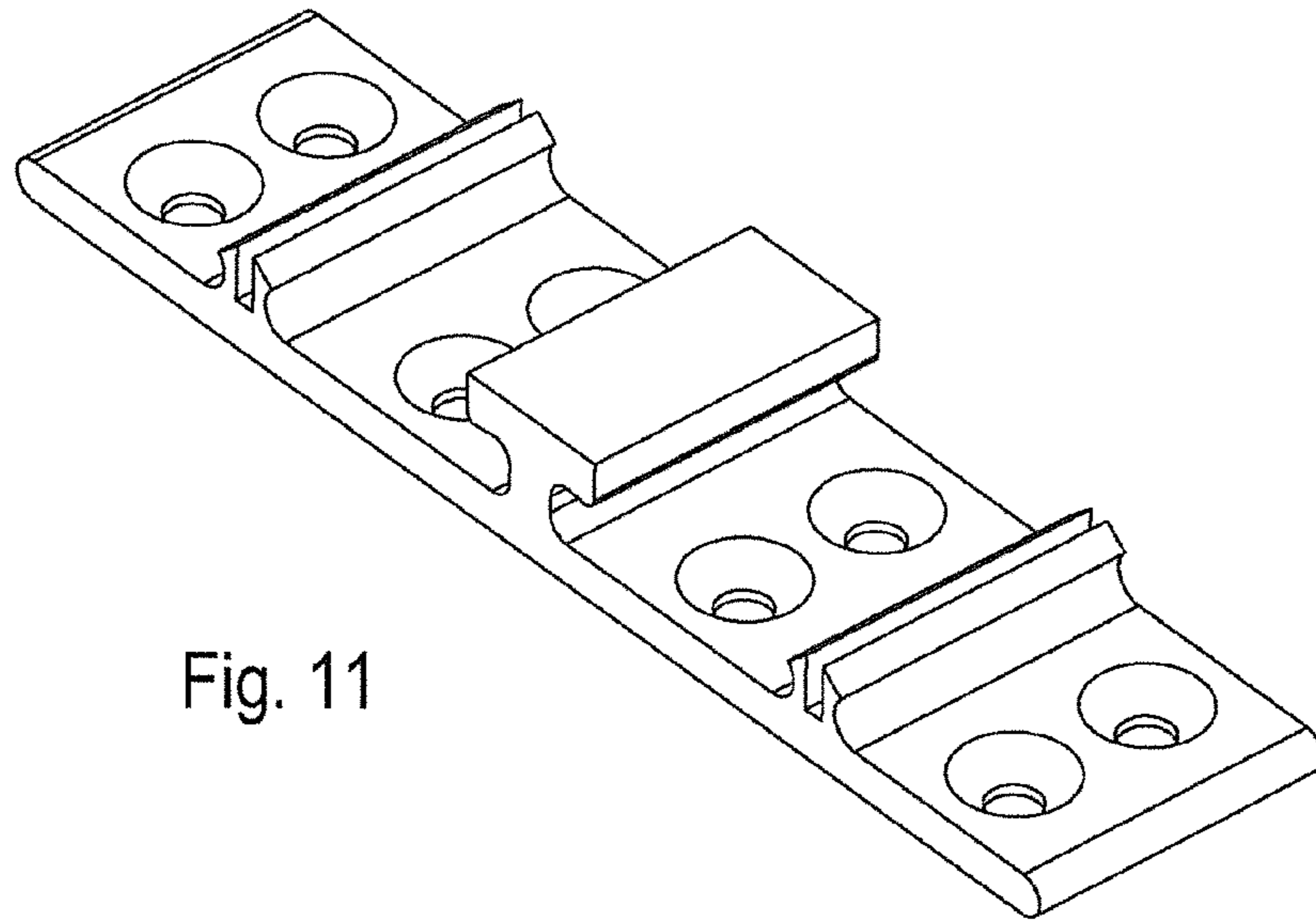


Fig. 11

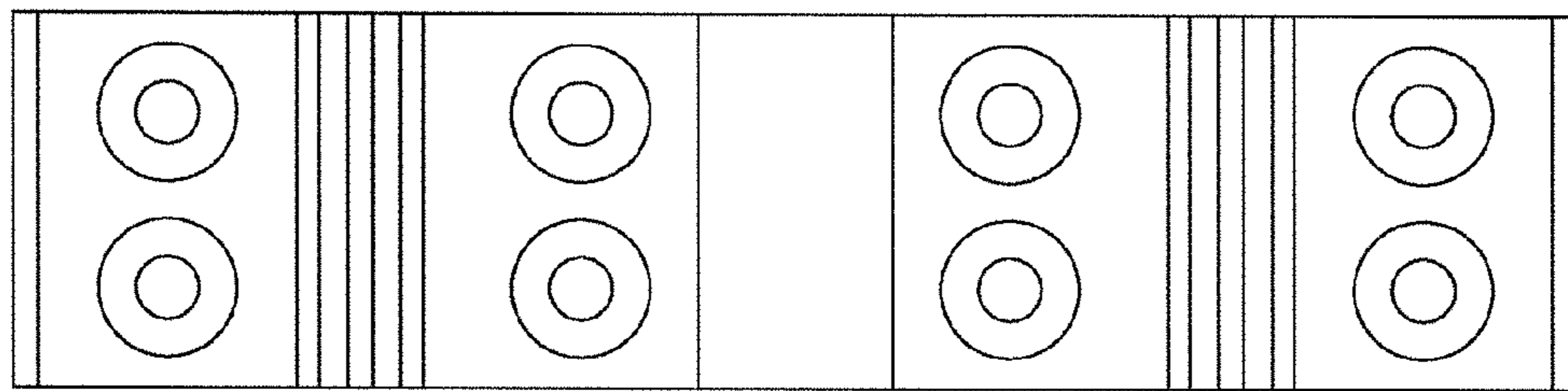


Fig. 12

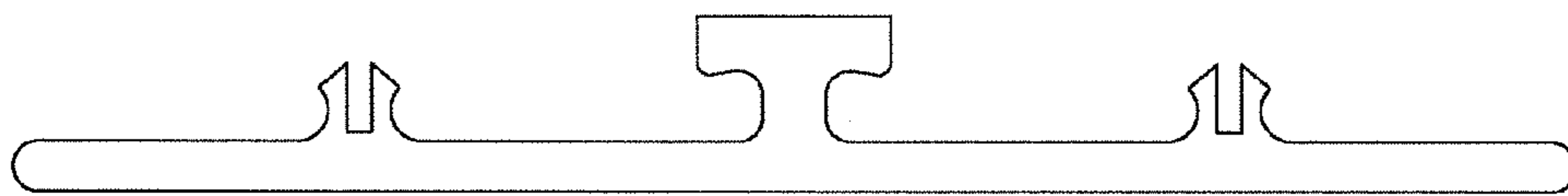


Fig. 13

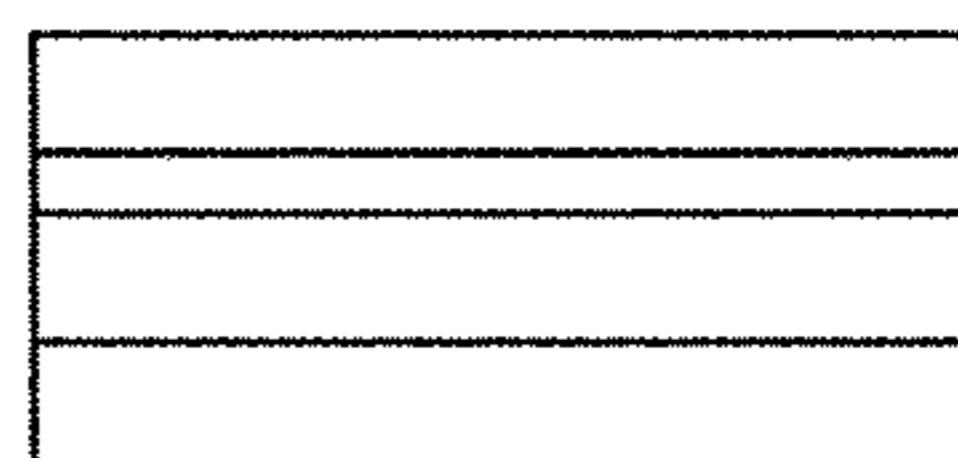


Fig. 14