



US00D744663S

(12) **United States Design Patent**
Holland

(10) **Patent No.:** **US D744,663 S**
(45) **Date of Patent:** **** Dec. 1, 2015**

- (54) **MESSAGE STICK**
- (71) Applicant: **Pro Performance Sports LLC**,
Carlsbad, CA (US)
- (72) Inventor: **Allen Holland**, Sheffield (GB)
- (73) Assignee: **Pro Performance Sports, L.L.C.**,
Carlsbad, CA (US)
- (**) Term: **14 Years**
- (21) Appl. No.: **29/482,082**
- (22) Filed: **Feb. 13, 2014**
- (51) **LOC (10) Cl.** **28-03**
- (52) **U.S. Cl.**
USPC **D24/211**
- (58) **Field of Classification Search**
USPC D24/200, 211, 212, 213, 214, 215;
601/19, 27-32, 46, 49, 52, DIG. 12,
601/DIG. 15, DIG. 16, DIG. 17, 48
CPC A61H 2201/0153; A61H 2201/0207;
A61H 2201/0263; A61H 2201/0111; A61H
2201/1253; A61H 2205/082; A61H 2205/085;
A61H 15/0085; A61H 19/00; A61H 19/30;
A61H 19/32; A61H 19/40; A61H 19/44;
A61H 19/50
See application file for complete search history.

4,433,683	A *	2/1984	McCoy et al.	601/120
4,648,387	A *	3/1987	Simmons	601/120
D347,898	S *	6/1994	Belcher	D24/211
5,577,996	A *	11/1996	Gardner et al.	601/120
D381,754	S *	7/1997	Fani	D24/200
5,709,705	A *	1/1998	Belcher	606/204.35
D398,400	S *	9/1998	Havelind	D24/211
D445,905	S *	7/2001	Hey	D24/211
6,764,454	B2 *	7/2004	Tu	601/15
6,878,124	B1 *	4/2005	Crowe	601/122
D650,487	S *	12/2011	Briscoe	D24/211
D704,852	S *	5/2014	Yang	D24/211
2008/0103421	A1 *	5/2008	Nicholson	601/120

* cited by examiner

Primary Examiner — Sandra Snapp

(74) Attorney, Agent, or Firm — Squire Patton Boggs (US) LLP

(57) **CLAIM**

The ornamental design for a massage stick, as shown and described.

DESCRIPTION

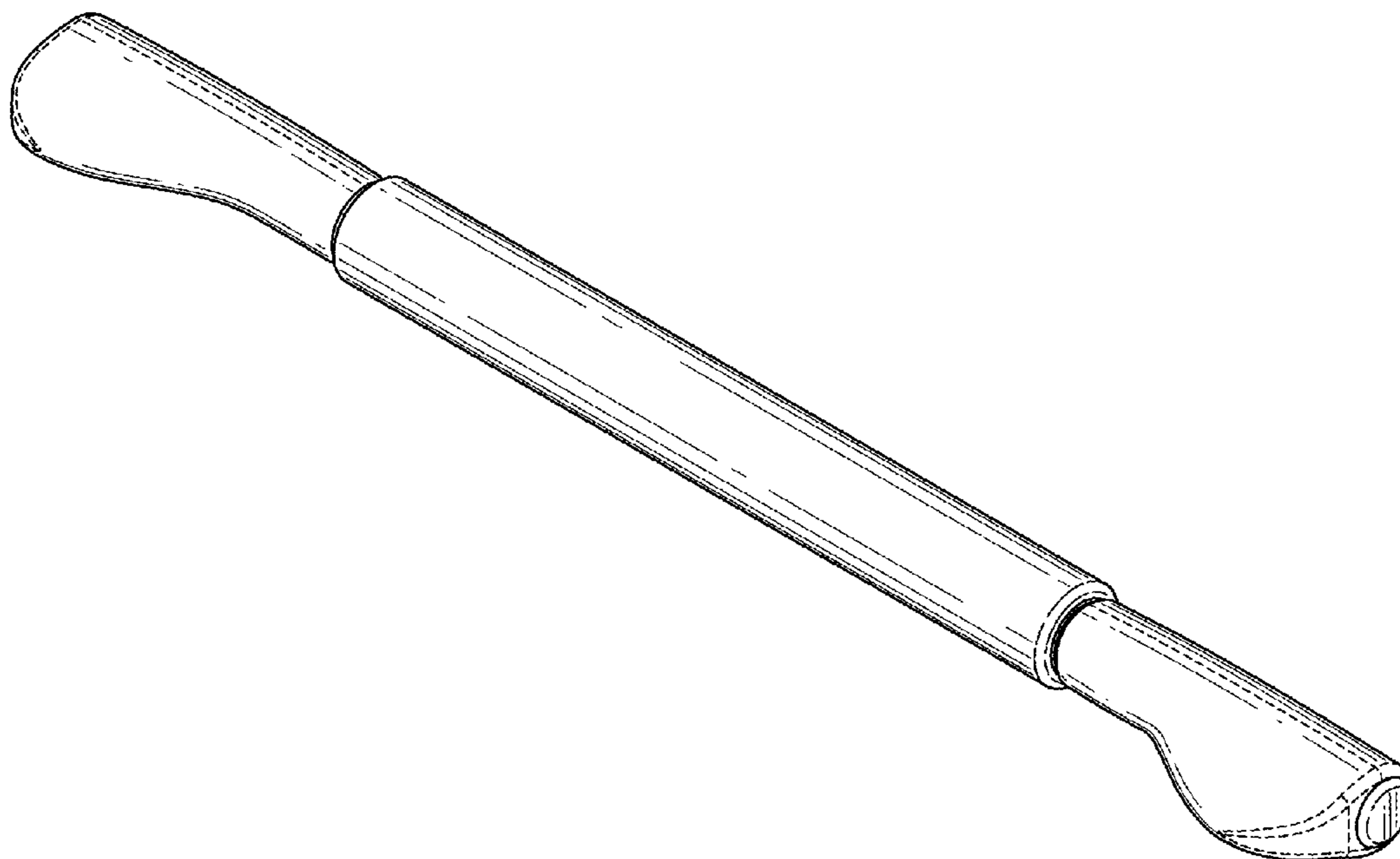
FIG. 1 is a top plan view of my new design.
 FIG. 2 is a front view.
 FIG. 3 is a back view.
 FIG. 4 is a left side view. The right side view is a mirror image of the left side view.
 FIG. 5 is a perspective view; and,
 FIG. 6 is a bottom view.
 The massage stick is symmetrical about its lateral centerline and the handles on either end are the same. The back, top and bottom of the handle are smooth surfaces and the roller between the handles is cylindrical.

1 Claim, 6 Drawing Sheets

(56) **References Cited**

U.S. PATENT DOCUMENTS

D269,375	S *	6/1983	Masuda	D24/211
D271,051	S *	10/1983	McCoy et al.	D24/211



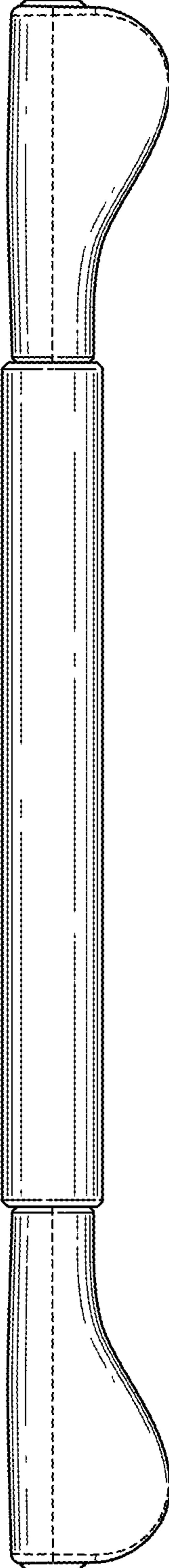


FIG. 1

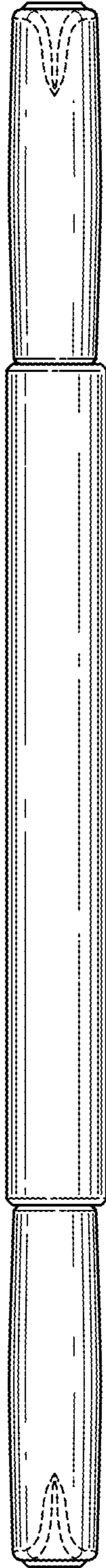


FIG. 2

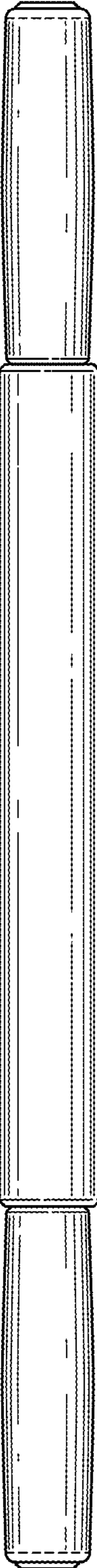


FIG. 3

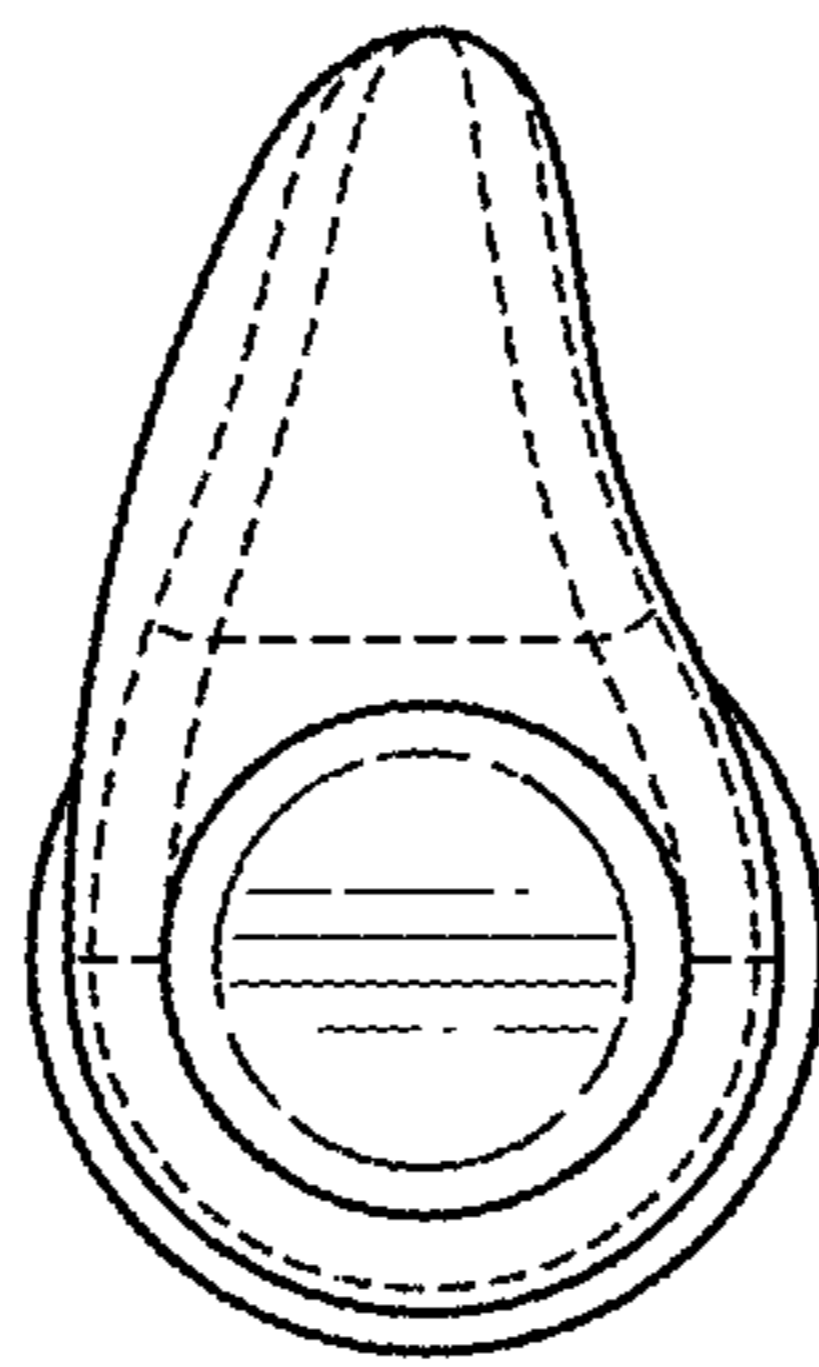


FIG. 4

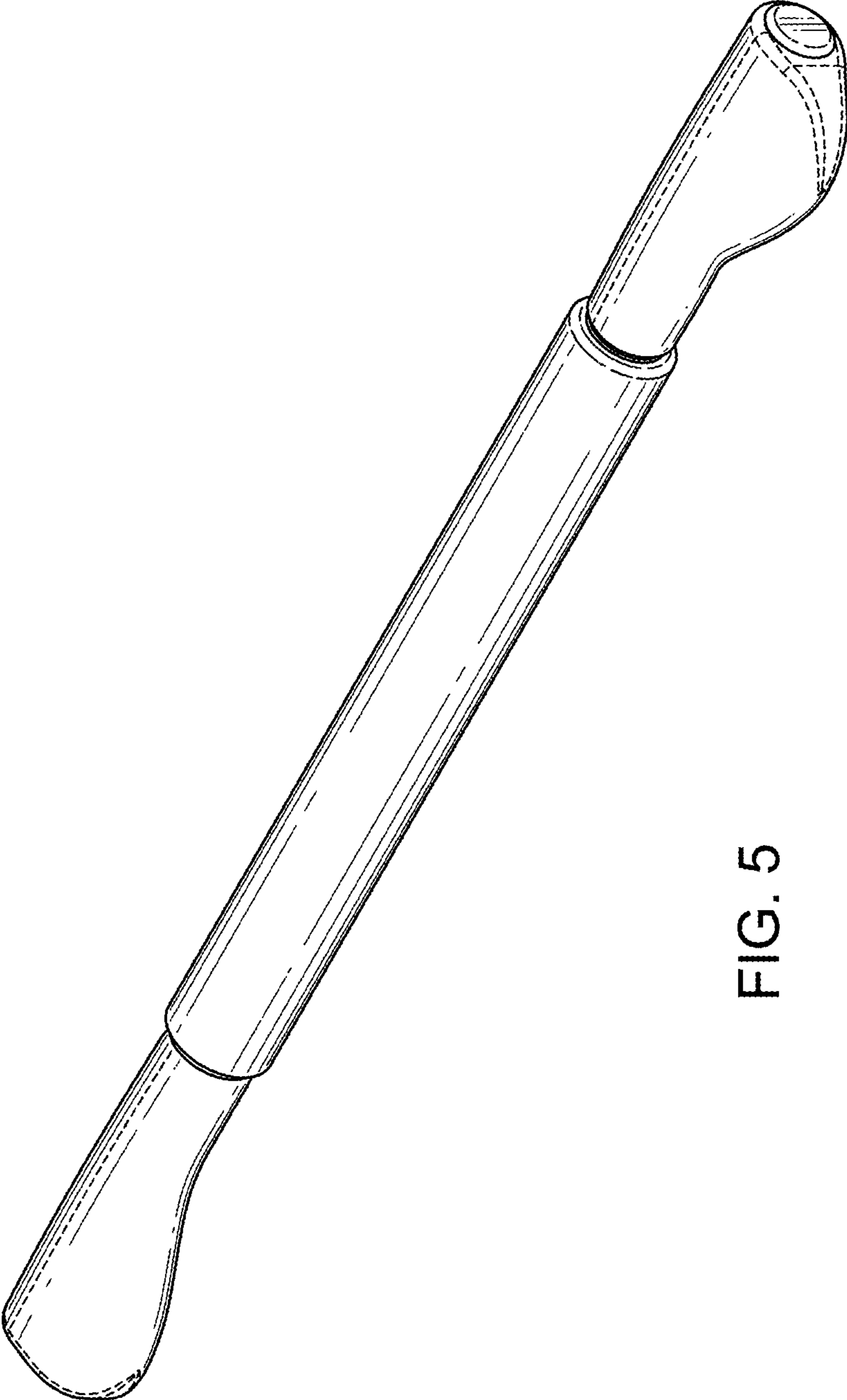


FIG. 5

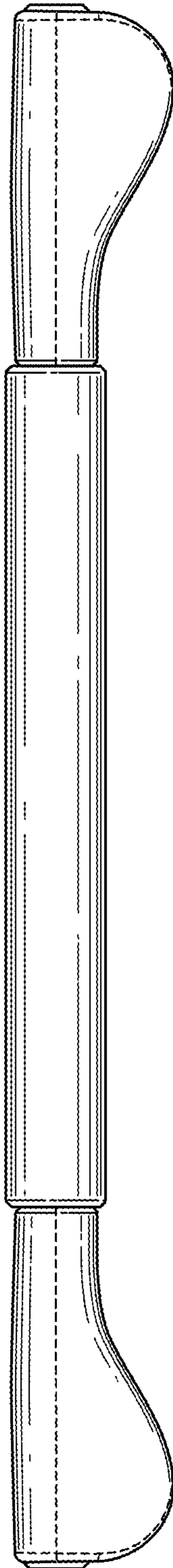


FIG. 6