



US00D744662S

(12) **United States Design Patent**
Stevens et al.

(10) **Patent No.:** **US D744,662 S**
(45) **Date of Patent:** **** Dec. 1, 2015**

(54) **ARM TISSUE HOLDER**

(71) Applicants: **Geoffrey Stevens**, Tacoma, WA (US);
Vincent Ford, Spanaway, WA (US)

(72) Inventors: **Geoffrey Stevens**, Tacoma, WA (US);
Vincent Ford, Spanaway, WA (US)

(**) Term: **14 Years**

(21) Appl. No.: **29/486,600**

(22) Filed: **Apr. 1, 2014**

(51) **LOC (10) Cl.** **24-04**

(52) **U.S. Cl.**
USPC **D24/190; D3/215; D2/614**

(58) **Field of Classification Search**
USPC D24/190; D3/203.1, 215, 218, 226;
2/16, 22, 170, 858; D29/120.1;
224/222, 267; 221/61; D11/5; D2/610,
D2/612, 614
CPC A63B 1/1225; A63B 2071/1258;
A63B 71/12; A63B 2071/125; A63B 2209/10;
A63B 2071/1241; A63B 2071/1266; A63B
71/08; A45C 1/04; A45F 5/00; A45F
2005/008; A45F 2200/0516; A41D 13/0153;
A41D 13/08; A41D 20/00; A41D 13/05
See application file for complete search history.

(56) **References Cited**

U.S. PATENT DOCUMENTS

75,458	A *	3/1868	Pratt	224/222
3,756,652	A	9/1973	Trammell, Jr.		
D249,592	S *	9/1978	Libonati	D3/226
4,462,116	A *	7/1984	Sanzone et al.	2/170
D288,743	S *	3/1987	Taylor	D3/226
D335,023	S *	4/1993	Hutcheson	D2/612
D362,087	S *	9/1995	Anson	D29/120.1
5,897,074	A	4/1999	Marino		

5,983,391	A *	11/1999	Palmer et al.	2/16
6,129,239	A *	10/2000	Fukazawa	221/61
6,237,149	B1 *	5/2001	MacDonald	2/22
D528,455	S *	9/2006	Drexler	D11/5
D642,792	S *	8/2011	Tremblay	D3/218
D655,496	S *	3/2012	Lamey et al.	D3/215
D671,690	S *	11/2012	Brady et al.	D29/120.1
8,661,564	B2 *	3/2014	Dodd	2/22
D707,361	S *	6/2014	Banks	D24/190
D708,846	S *	7/2014	Waldon	D3/218
2003/0222109	A1 *	12/2003	Weiss	224/222
2007/0157354	A1 *	7/2007	Lee	2/16
2008/0190974	A1 *	8/2008	Finn	224/267
2010/0083415	A1 *	4/2010	Beckford	2/16
2011/0314581	A1	12/2011	Gaters		
2012/0055963	A1 *	3/2012	Phair	224/267
2014/0131402	A1 *	5/2014	Holmes	224/222

* cited by examiner

Primary Examiner — George D Kirschbaum
Assistant Examiner — Jennifer Watkins

(57) **CLAIM**

The ornamental design for an arm tissue holder, as shown and described.

DESCRIPTION

FIG. 1 is an isometric elevational view of an arm tissue holder depicting the protective flap covering the tissue pocket showing my new design;

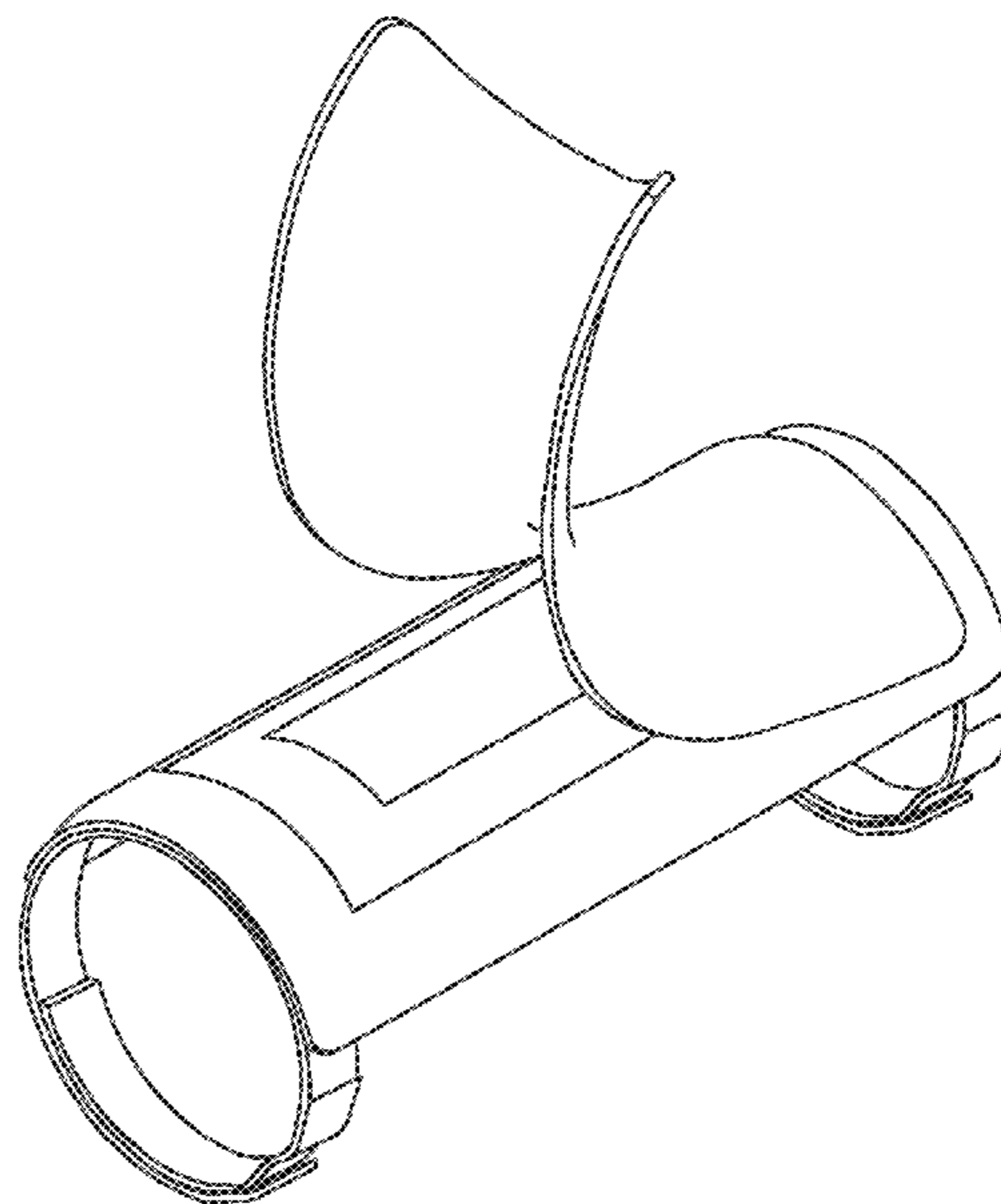
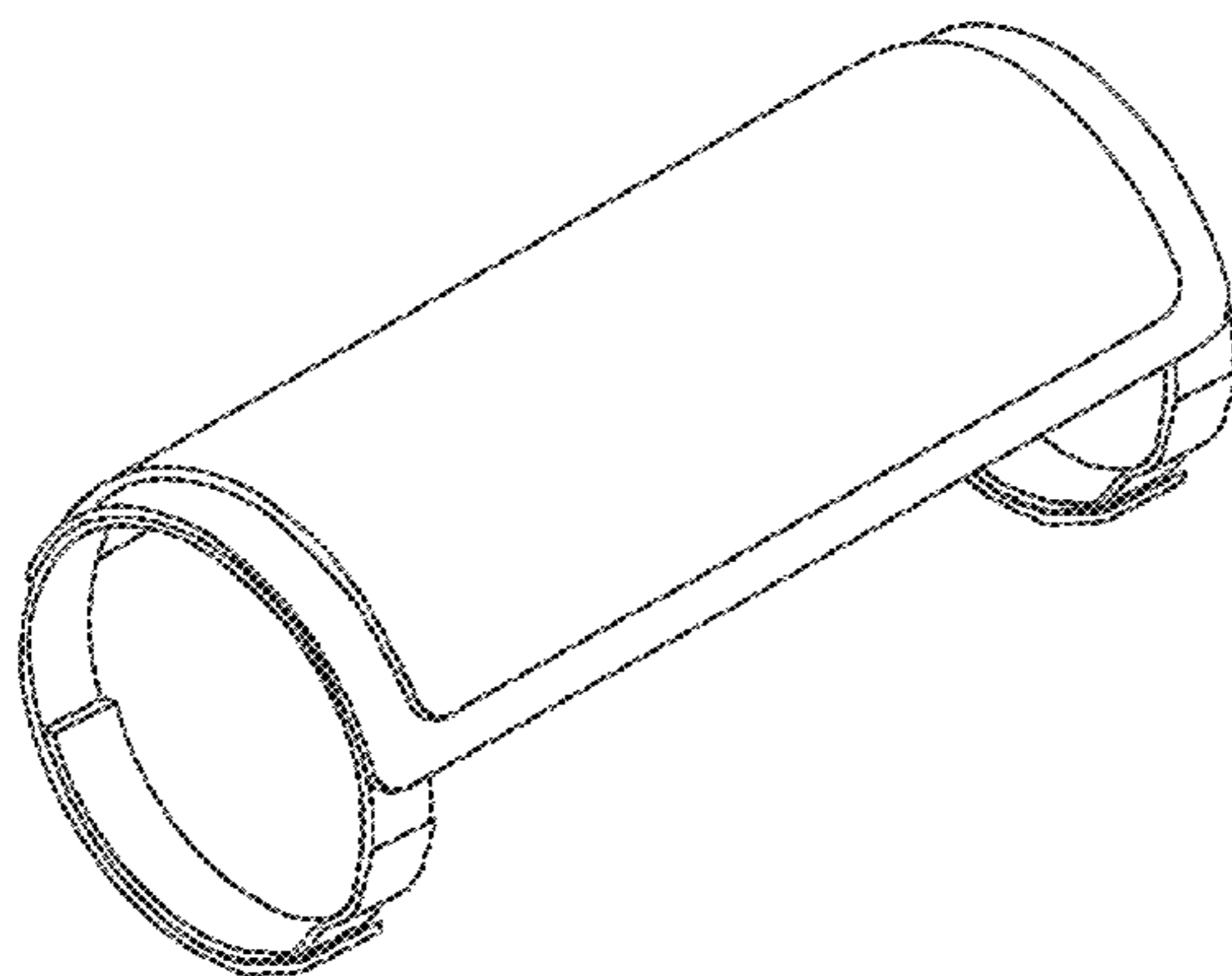
FIG. 2 is an isometric elevational view of an arm tissue holder depicting the protective flap opening in a lengthwise manner and exposing the tissue pocket thereof;

FIG. 3 is an in use elevational view thereof; and,

FIG. 4 is an isometric elevational view of an arm tissue holder depicting the protective flap opening in a sideways manner view of the device.

The broken lines in the drawings are for the purpose of illustrating environment that form no part of the claimed design.

1 Claim, 4 Drawing Sheets



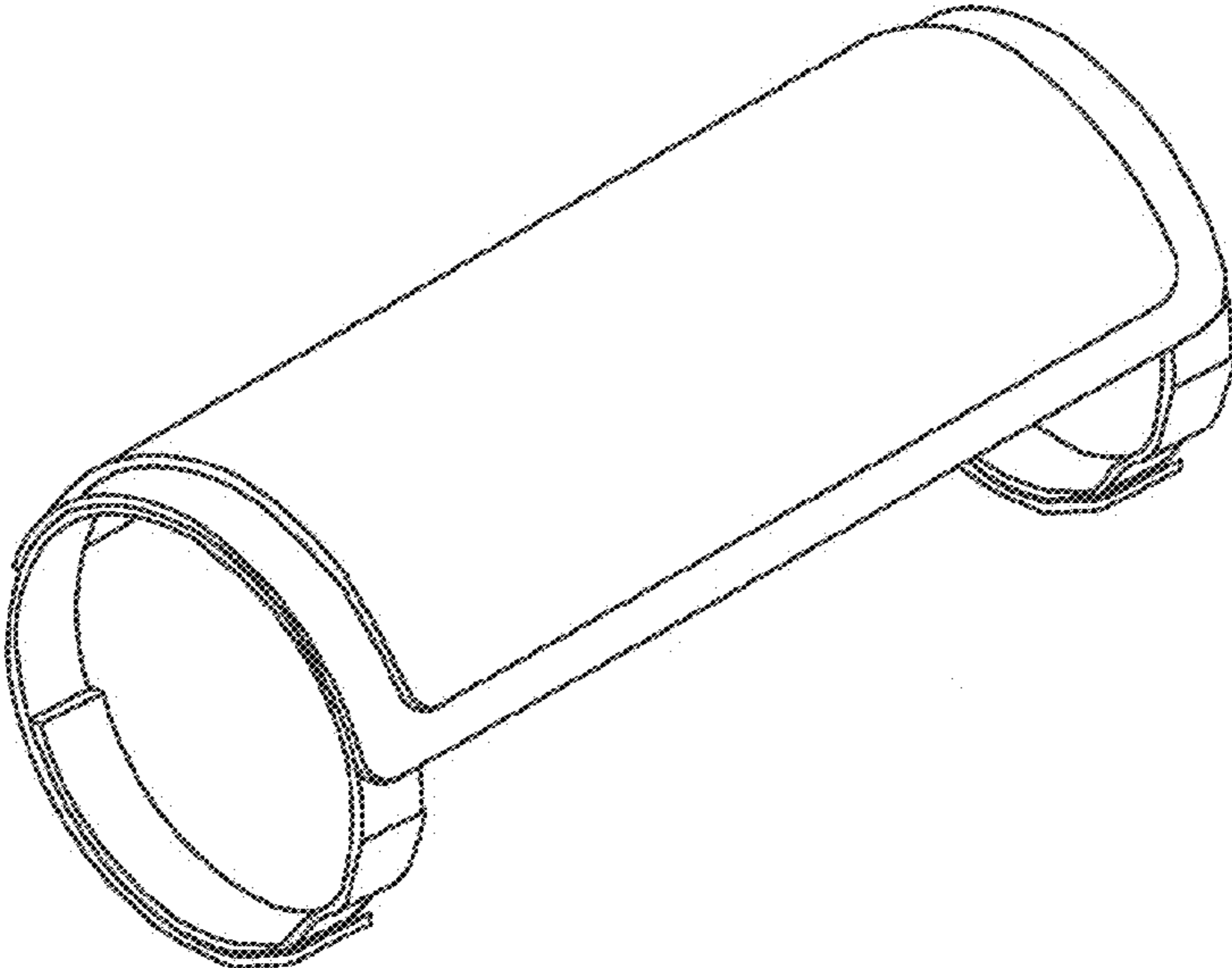


FIG. 1

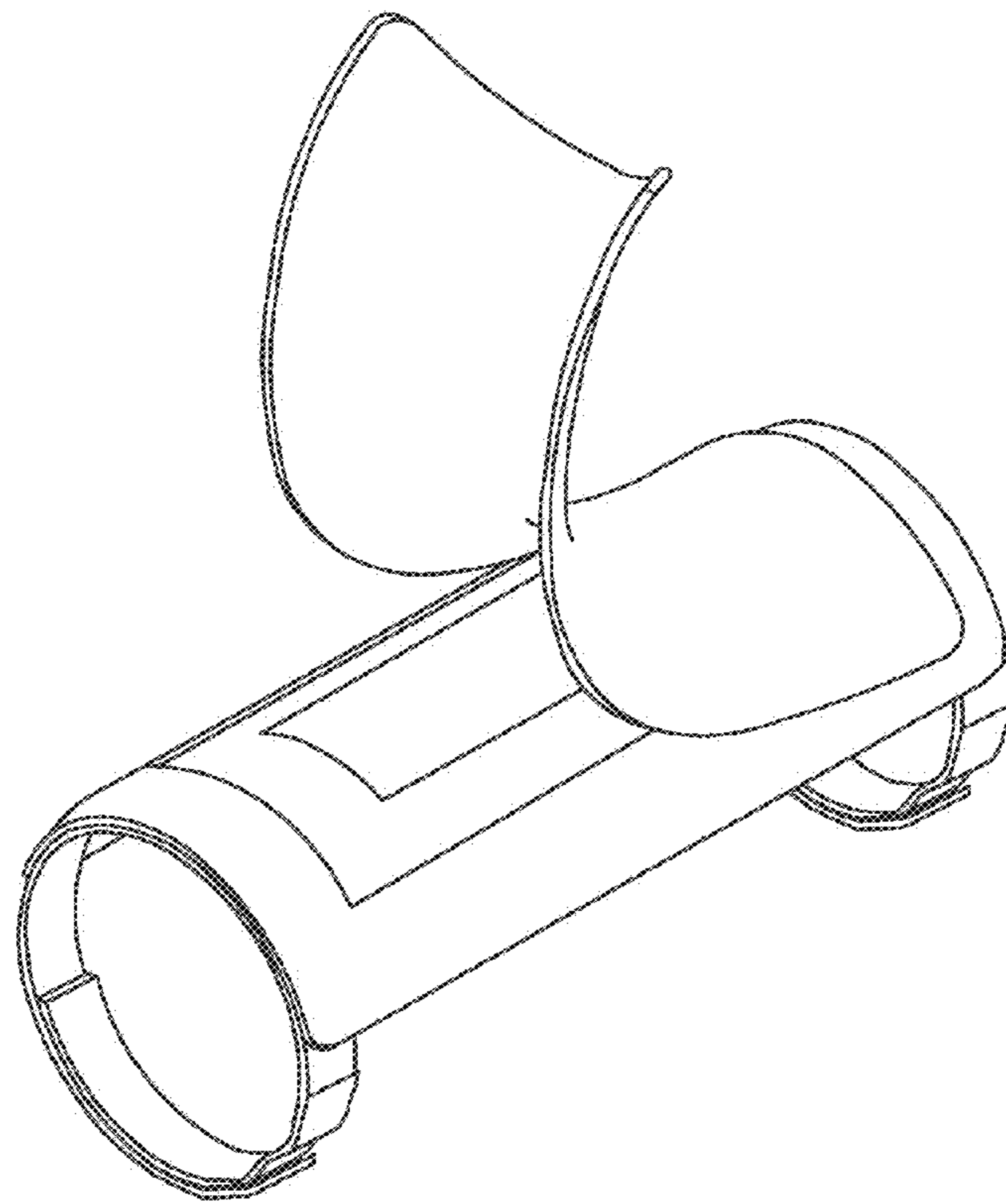


FIG. 2

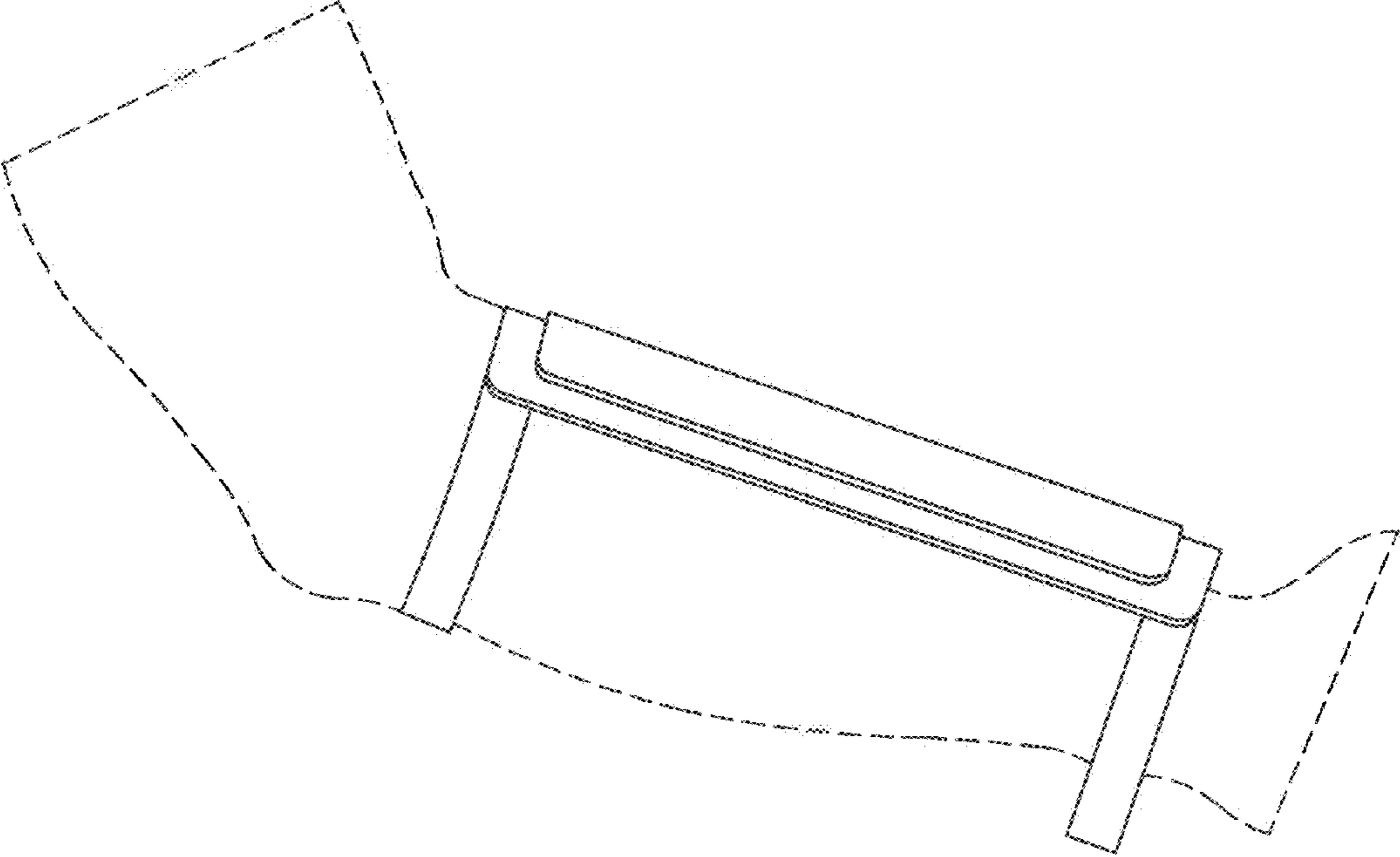


FIG. 3

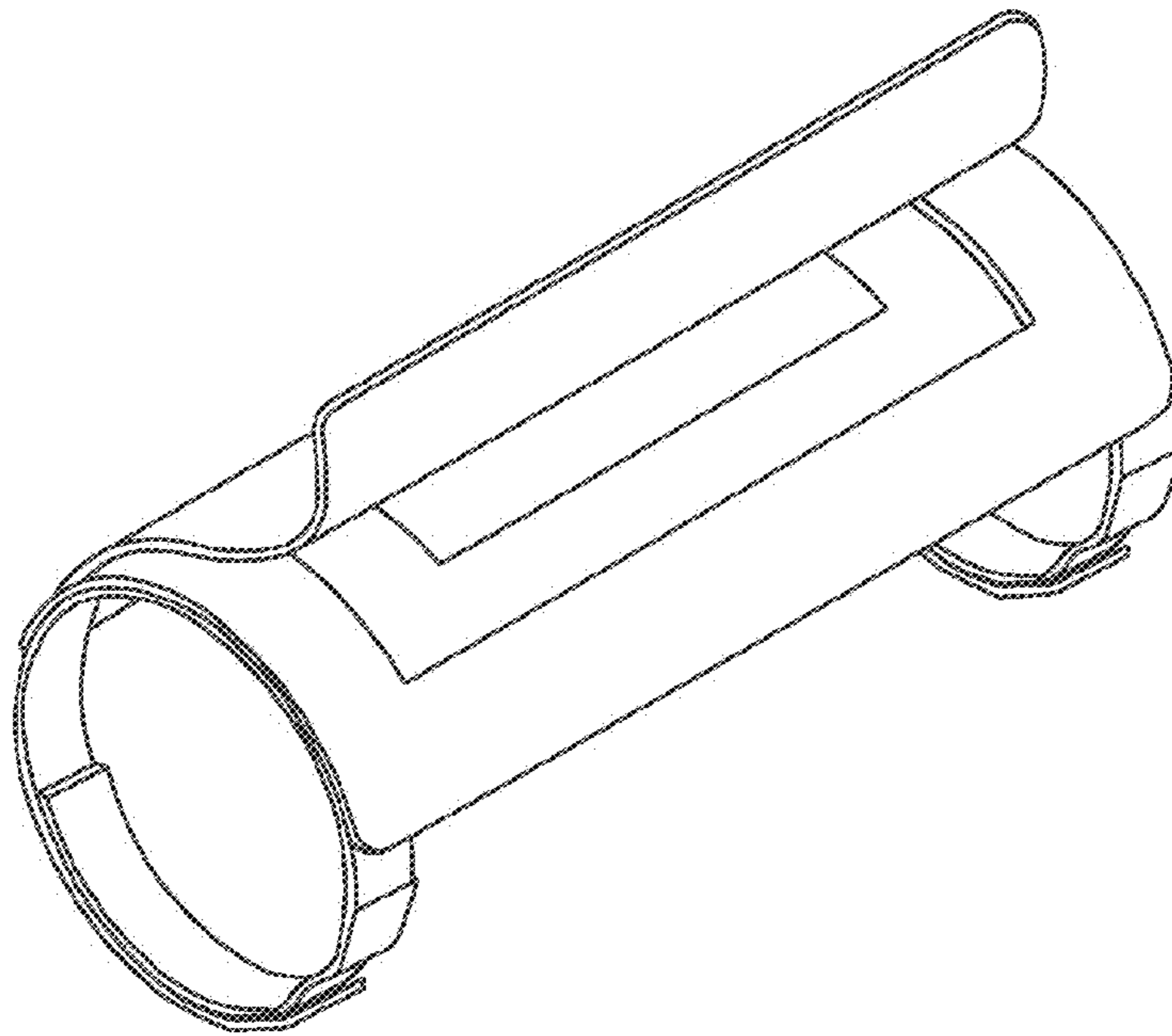


FIG. 4