



US00D744661S

(12) **United States Design Patent**
Rizzi

(10) **Patent No.:** **US D744,661 S**
(45) **Date of Patent:** **** Dec. 1, 2015**

- (54) **THERMAL PACK**
- (71) Applicant: **RAPID AID CORP.**, Mississauga (CA)
- (72) Inventor: **Antonio Rizzi**, Hamilton (CA)
- (73) Assignee: **RAPID AID CORP.**, Mississauga (CA)
- (**) Term: **14 Years**
- (21) Appl. No.: **29/491,480**
- (22) Filed: **May 21, 2014**
- (51) **LOC (10) Cl.** **24-04**
- (52) **U.S. Cl.**
USPC **D24/189**
- (58) **Field of Classification Search**
USPC D24/189, 206
CPC A61F 7/02; A61F 2007/0045; A61F
2007/0225
See application file for complete search history.

- D556,333 S * 11/2007 Hoffman D24/200
- D609,360 S * 2/2010 Yim D24/206
- D611,611 S * 3/2010 Sachi D24/189
- D623,307 S * 9/2010 Warner D24/206
- D624,190 S * 9/2010 Neri D24/189
- D627,078 S * 11/2010 Matsuo D24/206
- D627,896 S * 11/2010 Matsuo D24/206
- D630,335 S * 1/2011 Wise D24/206
- D630,759 S * 1/2011 Matsuo D24/206
- D671,225 S * 11/2012 Higley D24/206
- D688,851 S * 9/2013 Parker D2/627
- D700,707 S * 3/2014 Baumgarten D24/189
- D702,361 S * 4/2014 Weber D24/189
- D702,849 S * 4/2014 Dubbe D24/206

(Continued)

Primary Examiner — T. Chase Nelson
Assistant Examiner — Michelle E Wilson
(74) *Attorney, Agent, or Firm* — Perry + Currier Inc.; Dolly Kao

(57) **CLAIM**
What is claimed is the ornamental design for a thermal pack, as shown and described.

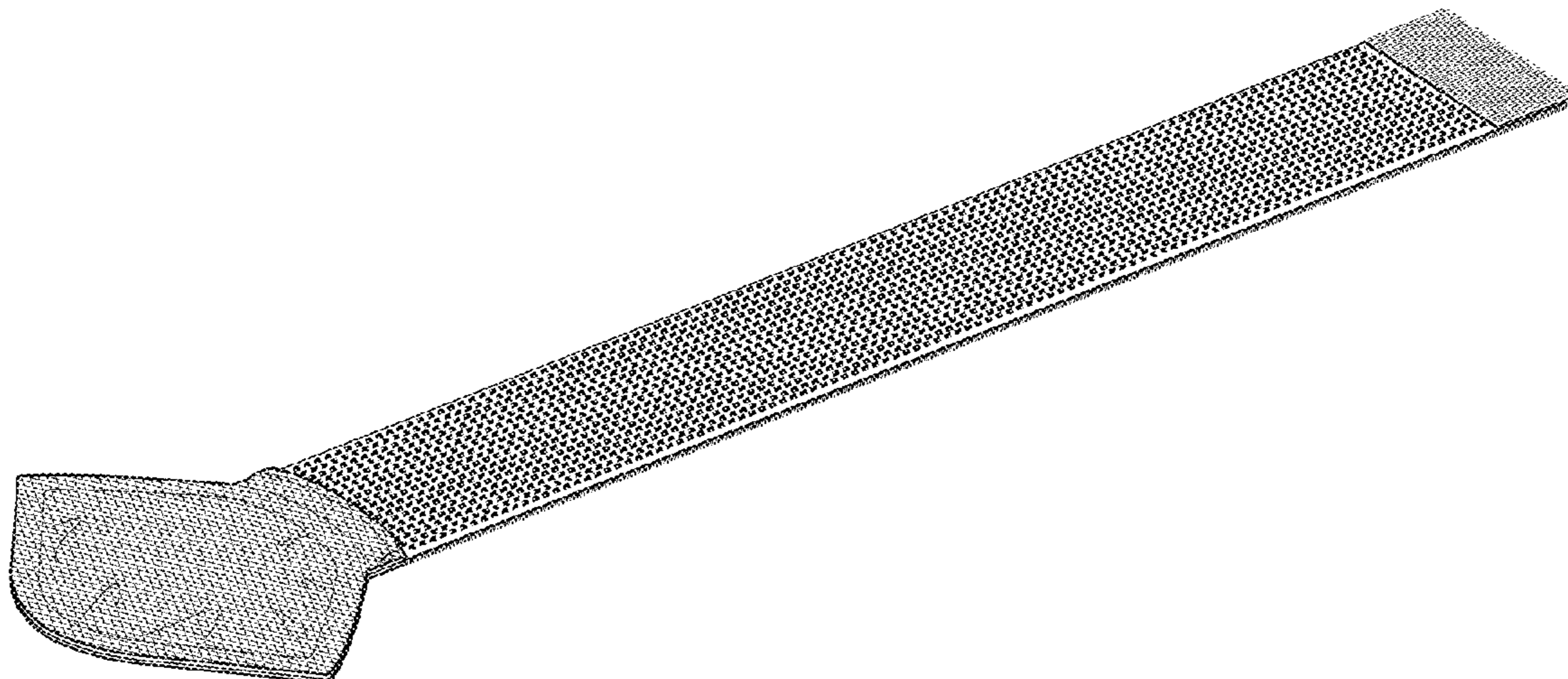
(56) **References Cited**
U.S. PATENT DOCUMENTS

- D267,428 S * 12/1982 Christensen D24/189
- 4,527,566 A * 7/1985 Abare A61F 7/02
601/15
- D324,270 S * 2/1992 Raya D24/206
- D324,422 S * 3/1992 Powell D24/206
- D327,329 S * 6/1992 Hubbard D24/206
- D328,792 S * 8/1992 Salmon D24/206
- D329,498 S * 9/1992 Pryor D24/206
- D393,719 S * 4/1998 Nichols D24/206
- D393,904 S * 4/1998 Miura D24/206
- D405,534 S * 2/1999 Hall D24/190
- D425,996 S * 5/2000 Owen, Jr. D24/189
- D433,145 S * 10/2000 Davis D24/206
- D448,477 S * 9/2001 Bartle D24/124
- D453,043 S * 1/2002 Hart D24/206
- D461,903 S * 8/2002 Garcia D24/206
- D515,218 S * 2/2006 McGuire D24/190

DESCRIPTION

FIG. 1 is a top perspective view of the thermal pack.
FIG. 2 is a bottom perspective view of the thermal.
FIG. 3 is a left side view of the thermal pack.
FIG. 4 is a front view of the thermal pack.
FIG. 5 is a right side view of the thermal pack.
FIG. 6 is a rear view of the thermal pack.
FIG. 7 is a top plan view of the thermal pack.
FIG. 8 is a bottom plan view of the thermal pack; and,
FIG. 9 is a perspective view of the thermal pack in use when wrapped around a foot.
The broken line showing of the foot displaying the Thermal Pack in condition of use is included for the purpose of illustrating environment and forms no part of the claimed design.

1 Claim, 4 Drawing Sheets



US D744,661 S

Page 2

(56)

References Cited

U.S. PATENT DOCUMENTS

D712,558 S *	9/2014	Ledbetter	D24/206	
D713,534 S *	9/2014	Manley, Jr.	D24/189	* cited by examiner
D728,810 S *	5/2015	Baumwald	D24/206	
D728,811 S *	5/2015	Baumwald	D24/206	
D736,396 S *	8/2015	Dubbe	D24/206	

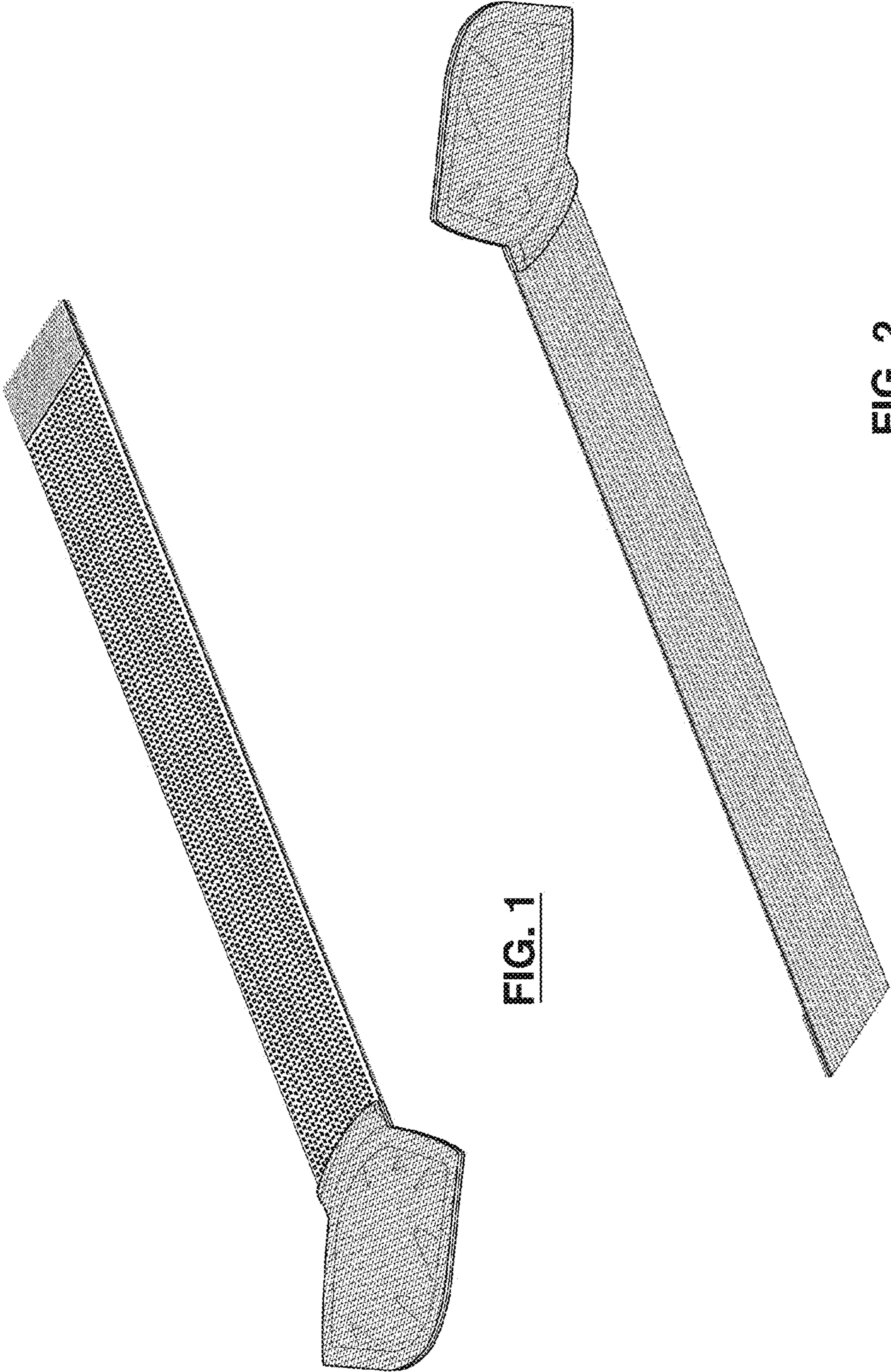


FIG. 1

FIG. 2

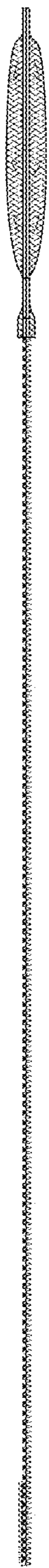


FIG. 3



FIG. 4

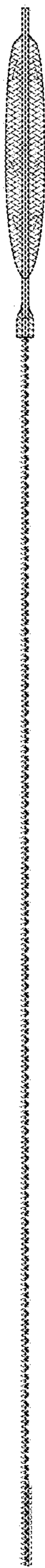


FIG. 5



FIG. 6

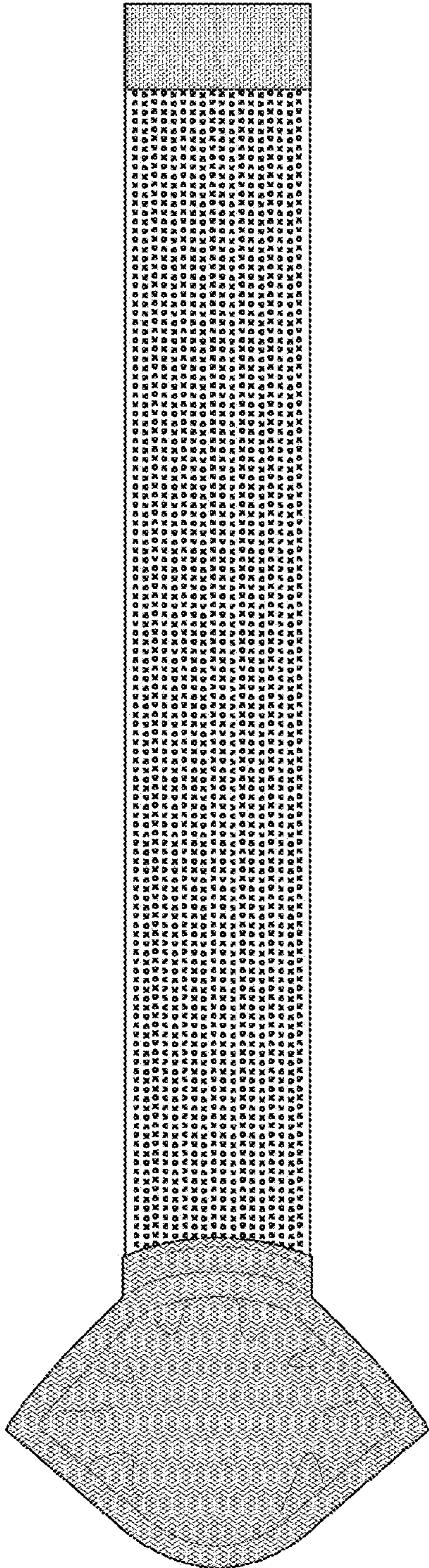


FIG. 7

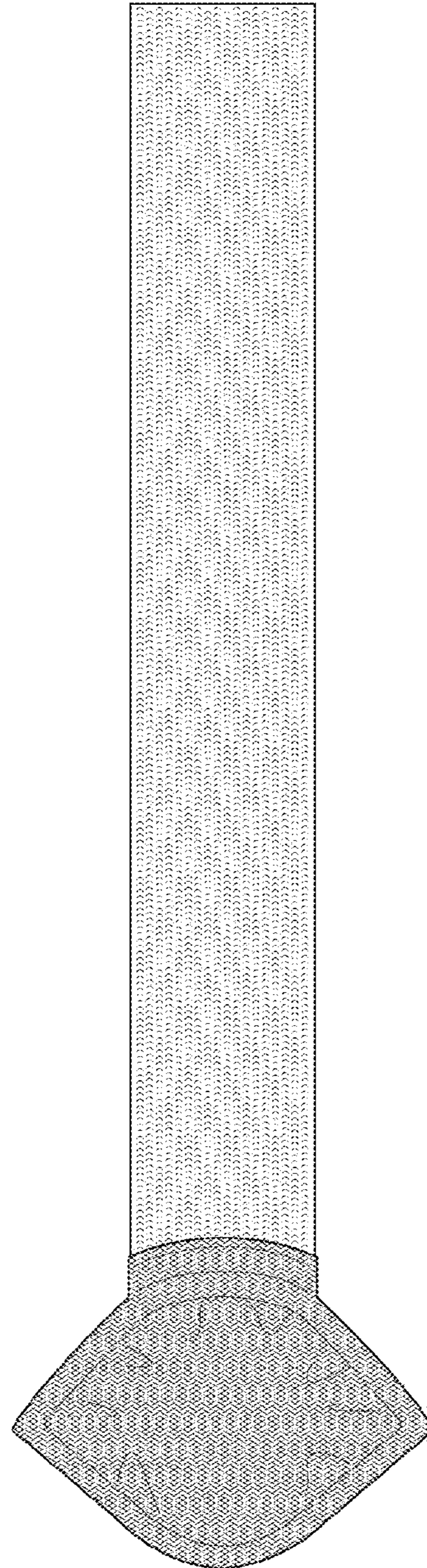


FIG. 8

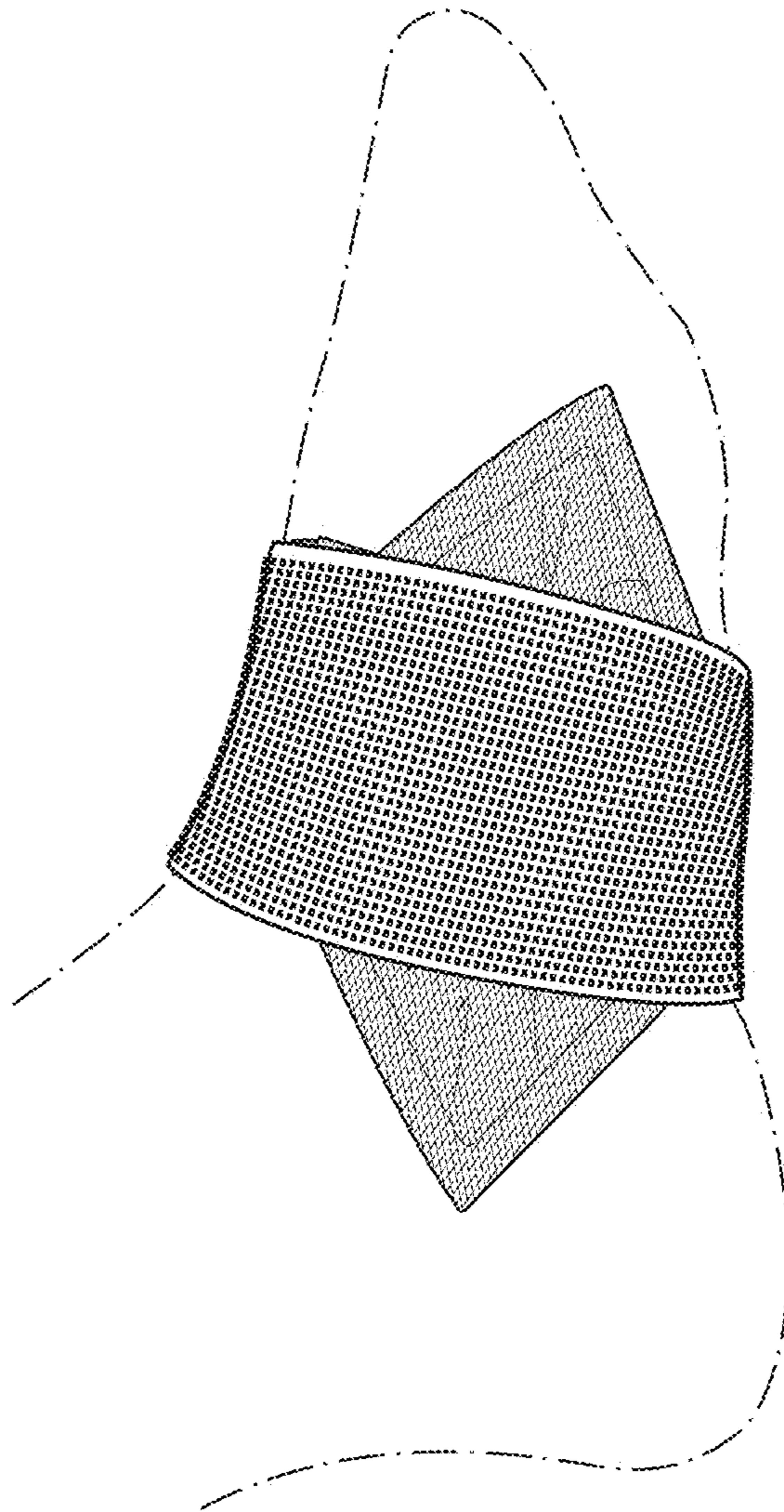


FIG. 9