



US00D744660S

(12) **United States Design Patent**  
**Pulver**

(10) **Patent No.:** **US D744,660 S**  
(45) **Date of Patent:** **\*\* Dec. 1, 2015**

- (54) **SPINAL SUPPORT CUSHION**
- (71) Applicant: **Upholstery Decor Inc.**, Goleta, CA (US)
- (72) Inventor: **David E. Pulver**, Santa Barbara, CA (US)
- (73) Assignee: **Upholstery Decor, Inc**, Goleta, CA (US)
- (\*\*) Term: **14 Years**
- (21) Appl. No.: **29/488,228**
- (22) Filed: **Apr. 17, 2014**
- (51) **LOC (10) Cl.** ..... **24-04**
- (52) **U.S. Cl.**  
USPC ..... **D24/188**
- (58) **Field of Classification Search**  
USPC ..... D24/188; D6/596, 601; D21/803  
CPC ..... A47C 7/022; A47C 7/021; A47C 27/146  
See application file for complete search history.

D421,359 S	3/2000	Llao	
D456,659 S	5/2002	Landvik	
D463,701 S	10/2002	Borcherding	
6,611,980 B2 *	9/2003	Wempe	A47C 7/022 5/653
6,625,830 B2 *	9/2003	Lampel	A47C 27/146 297/452.26
D523,276 S	6/2006	Kuo	
D555,248 S	11/2007	Rugfelt	
D565,188 S	3/2008	Pulver	
D680,654 S *	4/2013	Borrelli	D24/188

\* cited by examiner

*Primary Examiner* — T. Chase Nelson  
*Assistant Examiner* — Michelle E Wilson  
(74) *Attorney, Agent, or Firm* — Stephen D. Carver

(57) **CLAIM**  
The ornamental design for a spinal support cushion, as shown and described.

**DESCRIPTION**

FIG. 1 is a frontal isometric view of my spinal support cushion showing my new design;  
FIG. 2 is a lower isometric view thereof;  
FIG. 3 is a top plan view thereof;  
FIG. 4 is a bottom plan view thereof;  
FIG. 5 is a right side elevational view thereof;  
FIG. 6 is a left side elevational view thereof;  
FIG. 7 is a front plan view thereof; and,  
FIG. 8 is a rear plan view thereof.  
The broken line showing of the seams on a spinal support cushion are included for the purpose of illustrating stitching and form a part of the claimed design.

**1 Claim, 6 Drawing Sheets**

(56) **References Cited**  
U.S. PATENT DOCUMENTS

3,393,012 A *	7/1968	Chancellor, Jr.	A47C 7/022 297/452.51
D285,512 S *	9/1986	Bool	D6/596
D327,389 S	6/1992	Flores	
D371,267 S *	7/1996	Ivy	5/653
D386,036 S *	11/1997	Laidlaw	D6/601
D399,694 S *	10/1998	Laidlaw	D6/596
5,845,352 A *	12/1998	Matsler	A47C 7/021 297/452.41
D413,980 S *	9/1999	Sioufi	D24/183
D419,024 S	1/2000	Lenahan	

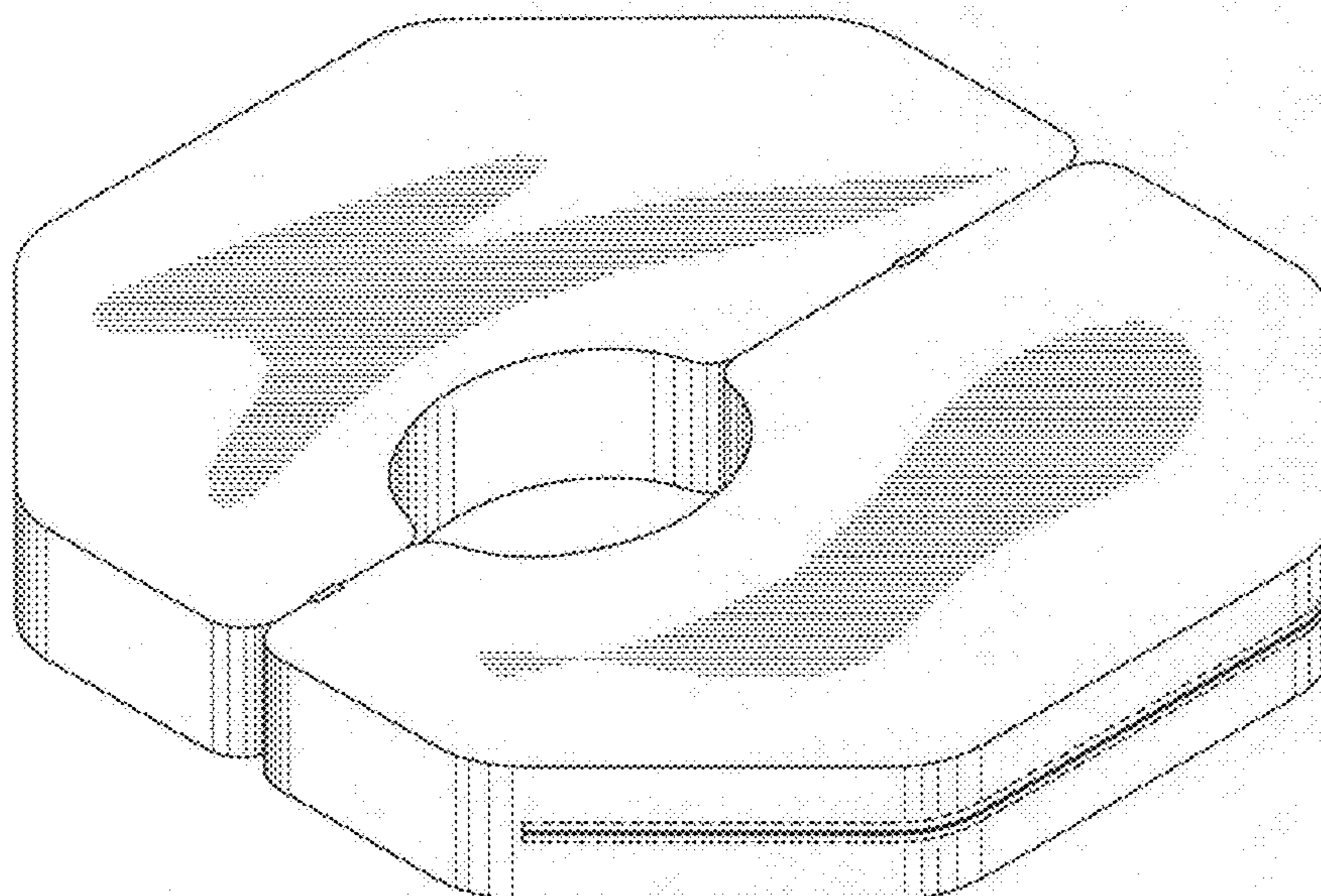


FIG. 1

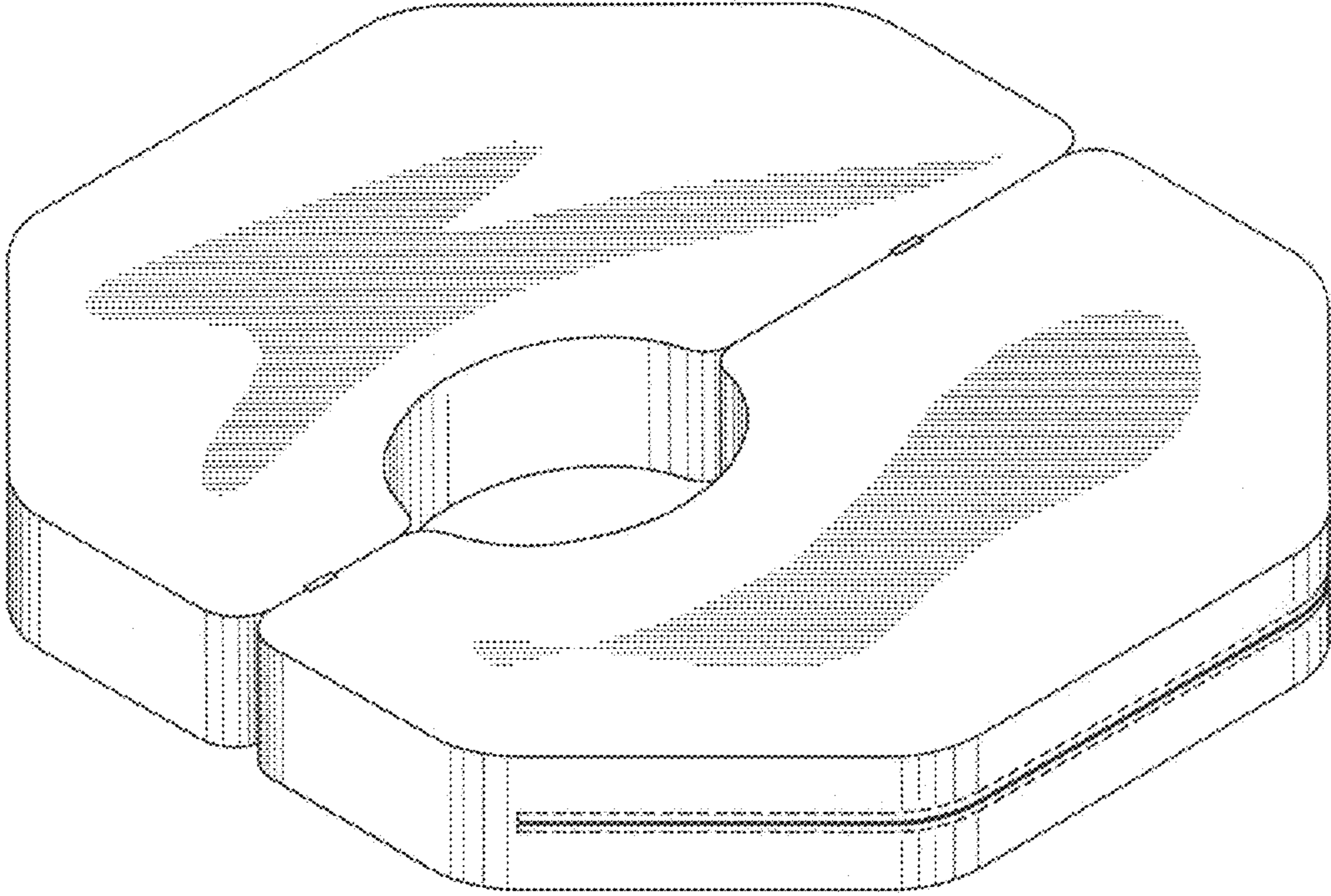


FIG. 2

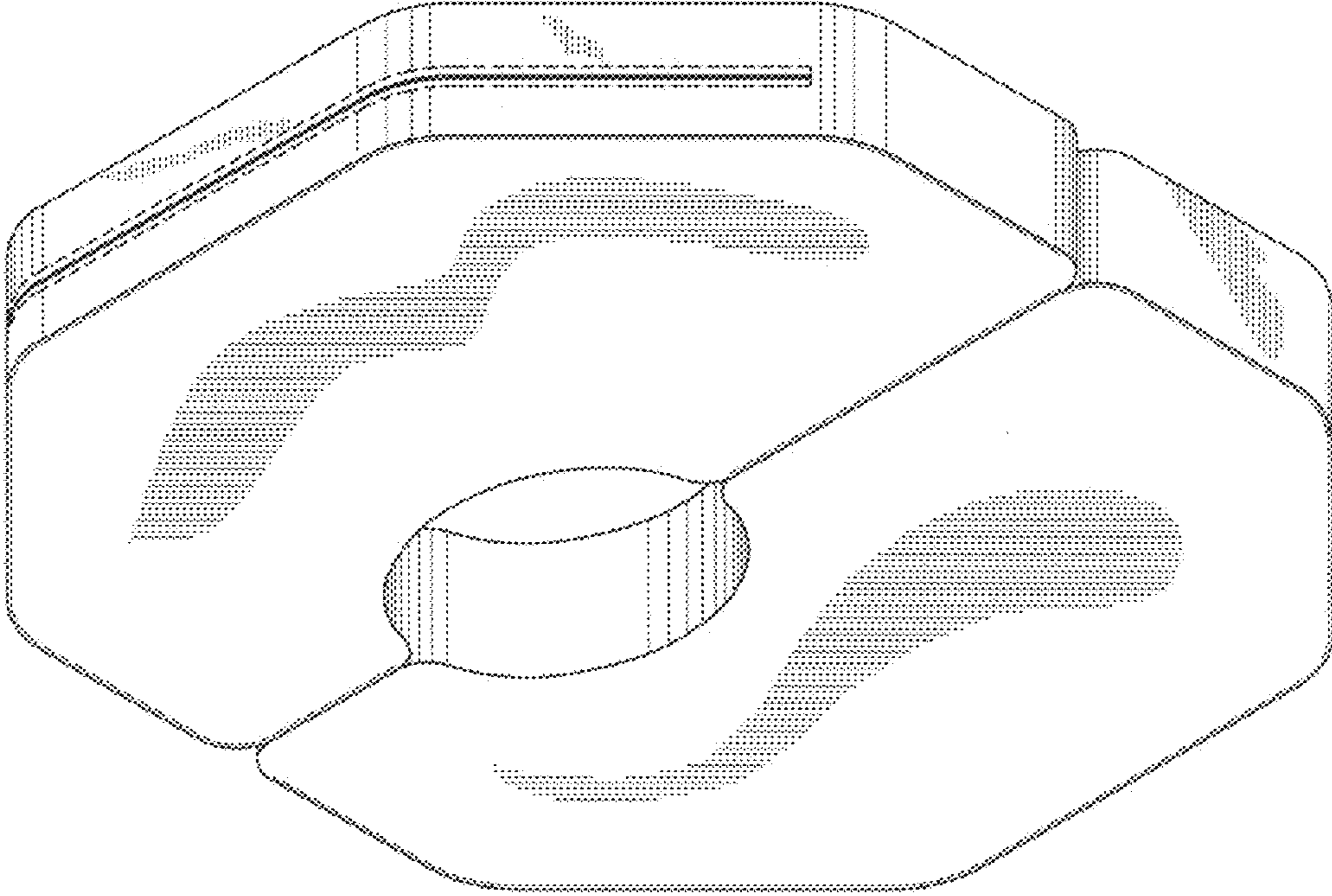


FIG. 3

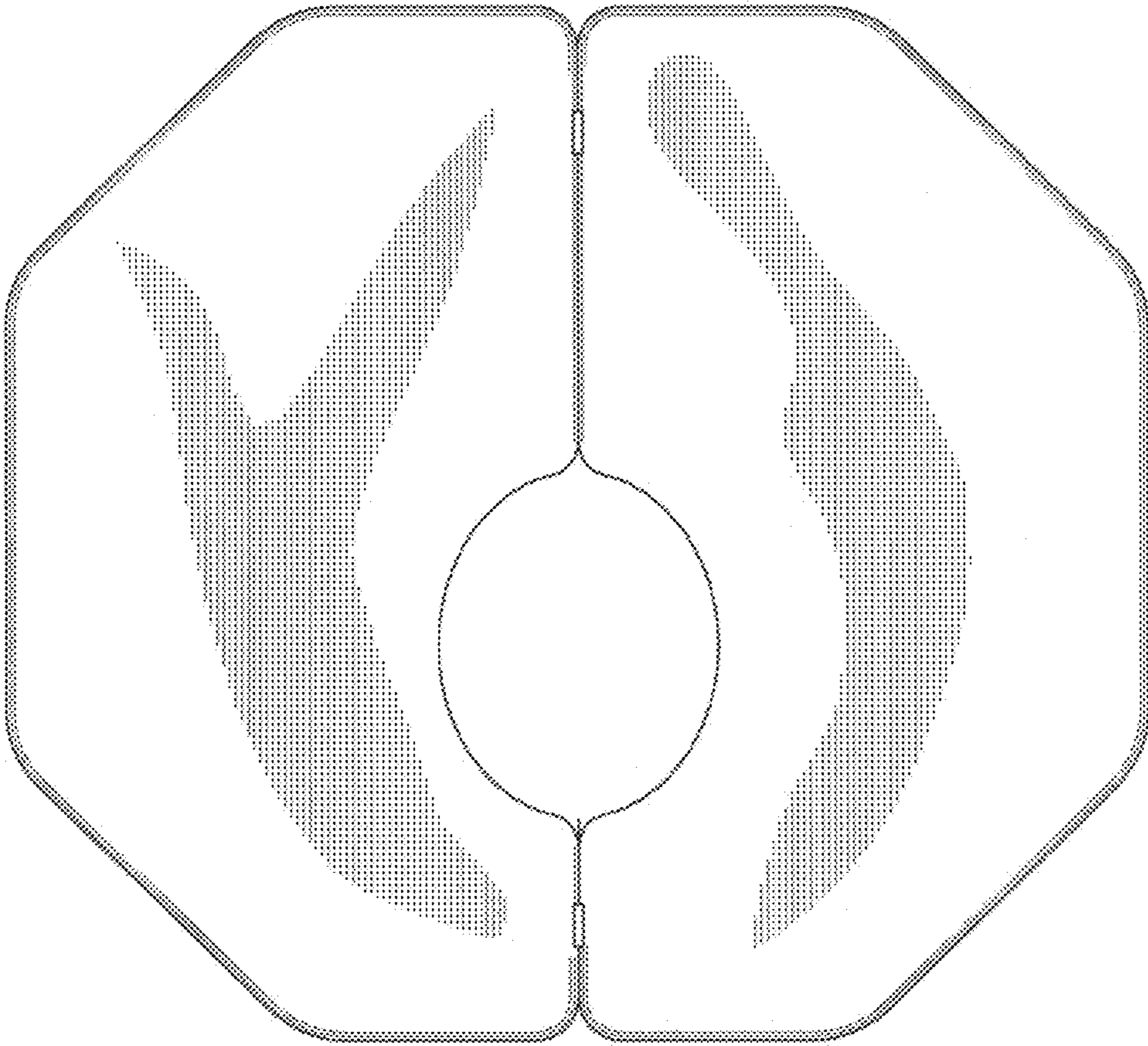


FIG. 4

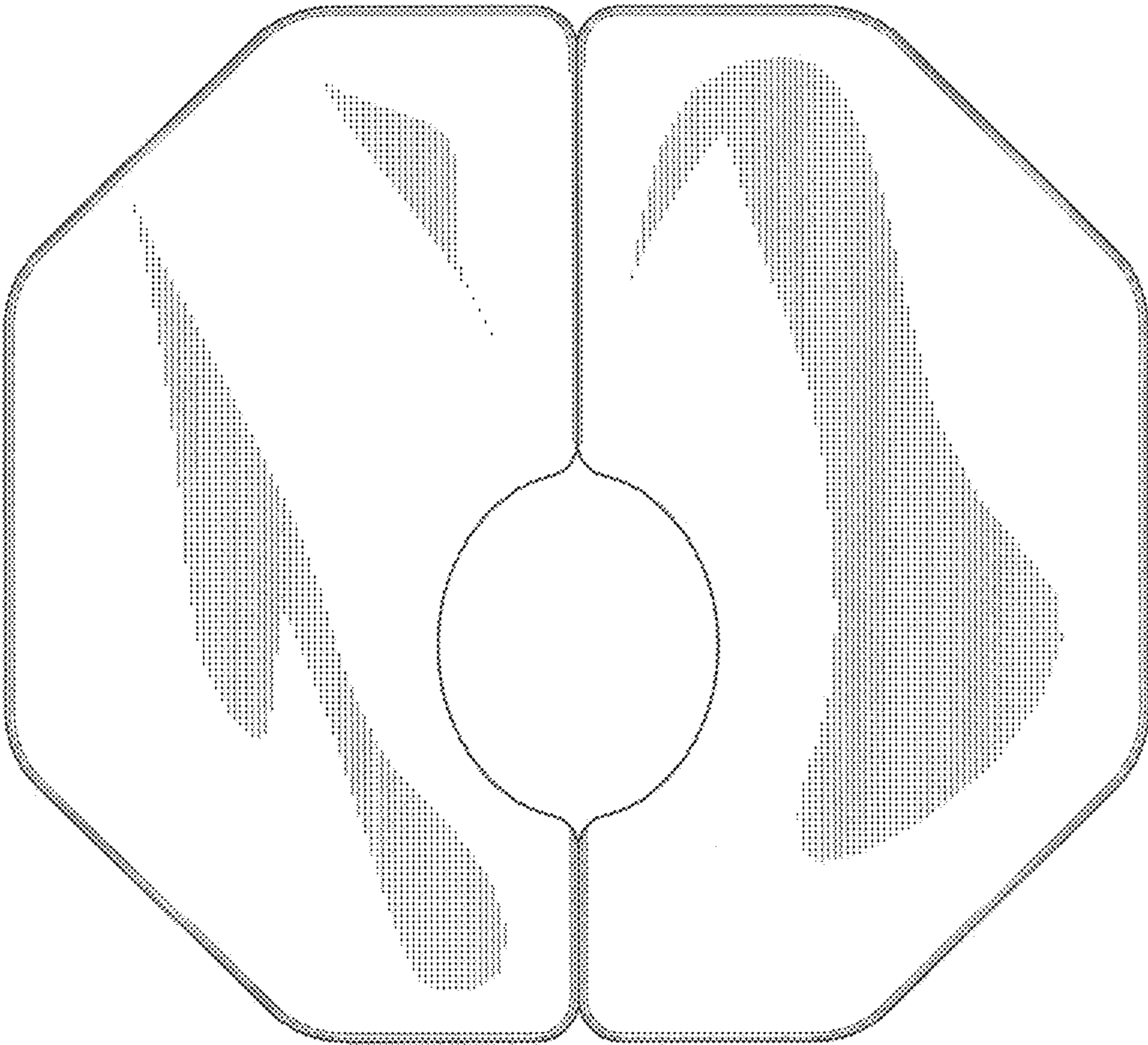


FIG. 5

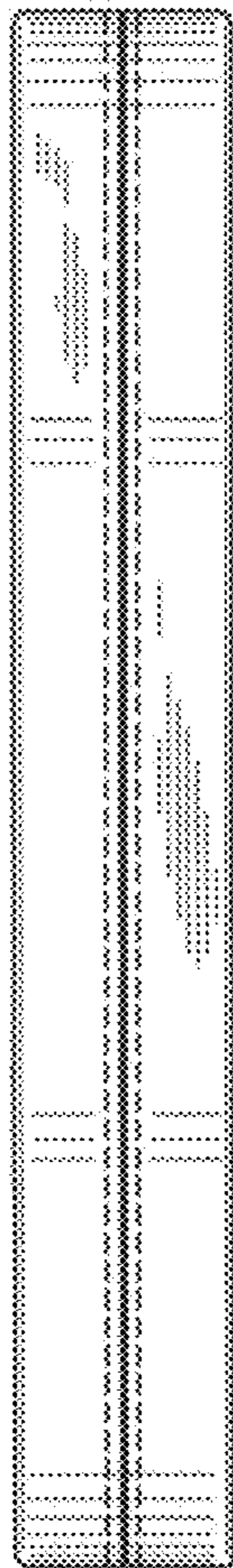


FIG. 6



FIG. 7

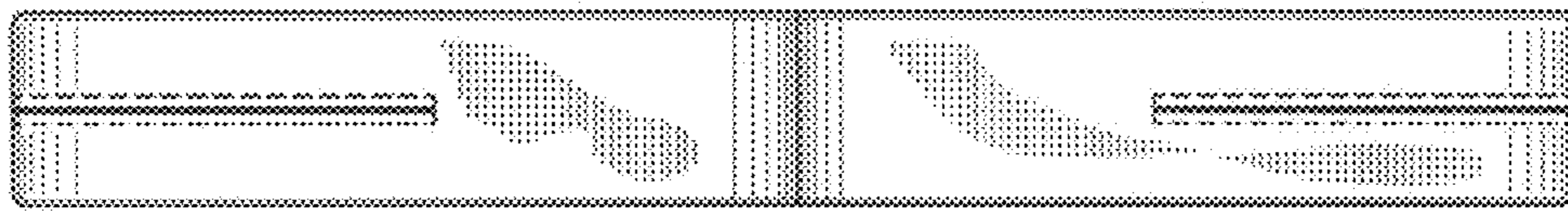


FIG. 8

