



US00D744657S

(12) **United States Design Patent**
Westlake et al.

(10) **Patent No.:** **US D744,657 S**
(45) **Date of Patent:** **** Dec. 1, 2015**

(54) **TEETH WHITENING LIGHT DEVICE**

(71) Applicant: **MK Products, Inc.**, Irvine, CA (US)

(72) Inventors: **Christopher A. Westlake**, Silverado, CA (US); **Matthew A. Fiore**, Rancho Santa Margarita, CA (US)

(73) Assignee: **MK Products, Inc.**, Irvine, CA (US)

(**) Term: **14 Years**

(21) Appl. No.: **29/508,794**

(22) Filed: **Nov. 11, 2014**

(51) **LOC (10) Cl.** **24-02**

(52) **U.S. Cl.**
USPC **D24/176**

(58) **Field of Classification Search**
USPC D24/176-178, 107, 152, 209-210;
D26/63, 61, 93; 433/29, 215-216, 229;
362/804, 573
CPC .. A61C 19/004; A61C 19/066; A61C 19/003;
A61C 19/063; A61C 5/04

See application file for complete search history.

(56) **References Cited**

U.S. PATENT DOCUMENTS

D438,622	S	*	3/2001	Chang	D24/176
7,499,760	B2	*	3/2009	Rose et al.	433/29
D590,978	S	*	4/2009	Wang et al.	D26/63
7,581,864	B2	*	9/2009	Craig	362/573
D675,740	S	*	2/2013	Orloff et al.	D24/176
2009/0068613	A1	*	3/2009	Wang et al.	433/29

* cited by examiner

Primary Examiner — Wan Laymon

(74) *Attorney, Agent, or Firm* — Stetina Brunda Garred & Brucker

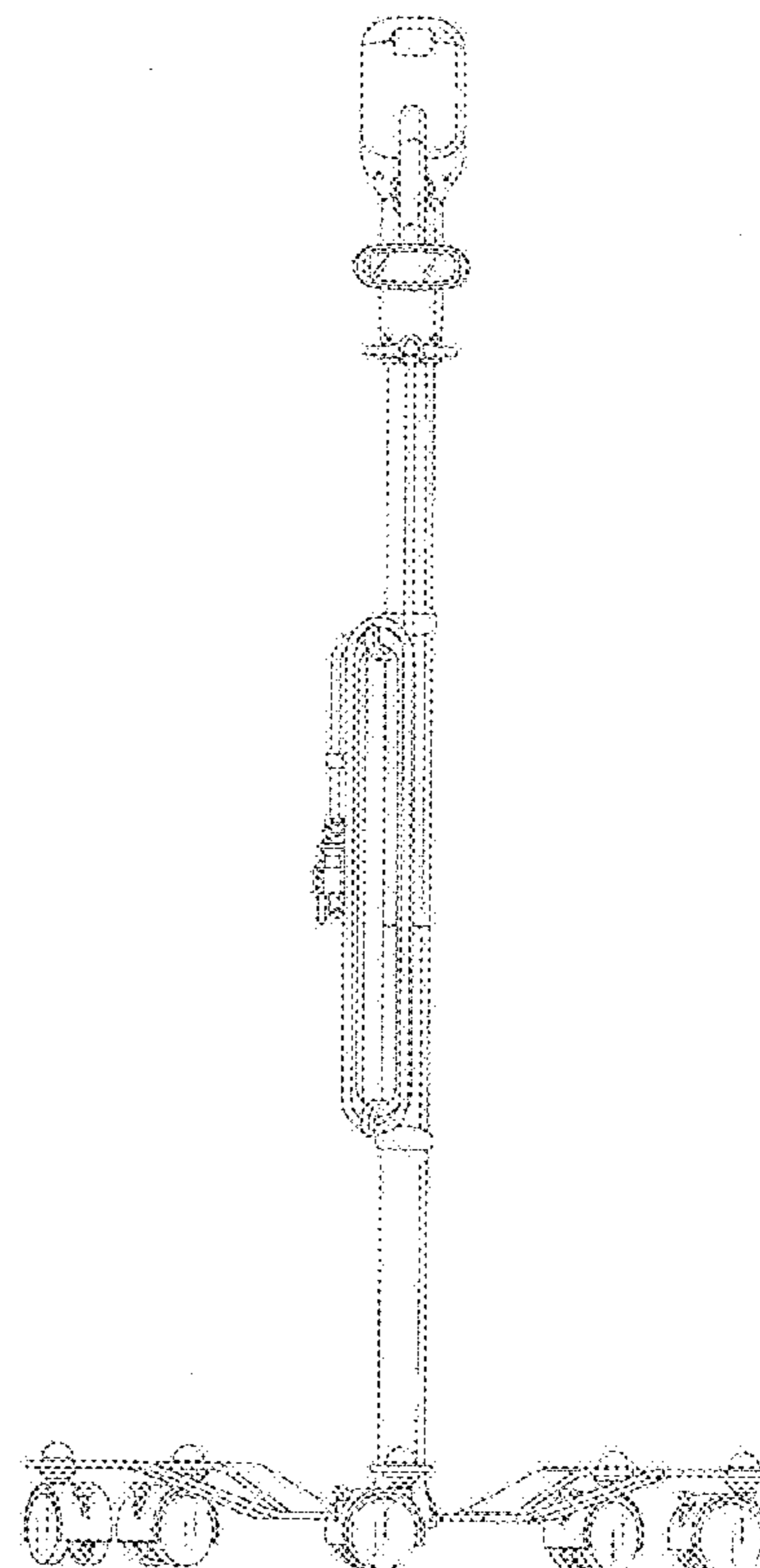
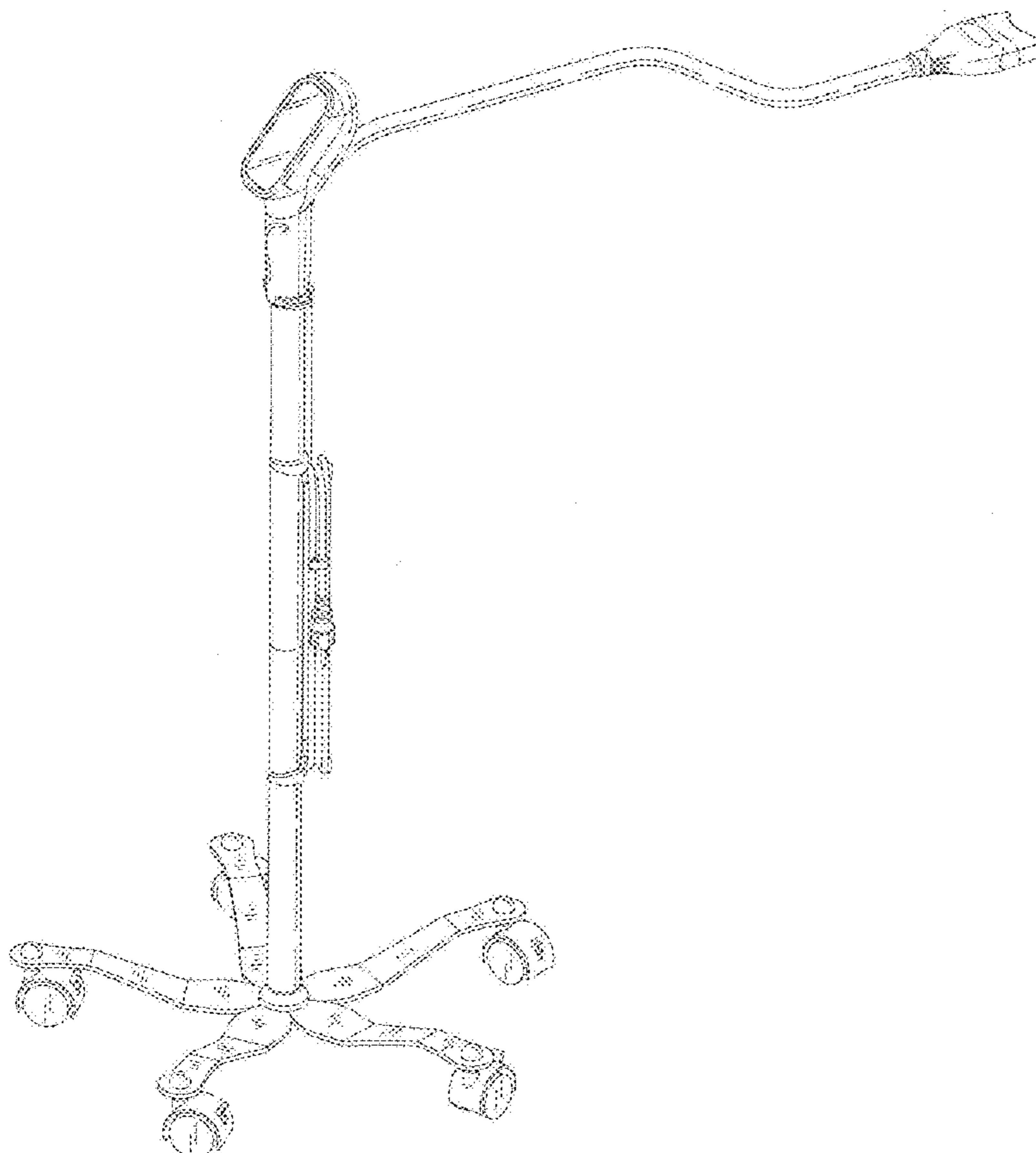
(57) **CLAIM**

The ornamental design for a teeth whitening light device, as shown and described.

DESCRIPTION

FIG. 1 is a front perspective view of the teeth whitening light device of the present invention showing our new design; FIG. 2 is a rear perspective view thereof; FIG. 3 is a top plan view thereof; FIG. 4 is a right side elevational view thereof; FIG. 5 is a left side elevational view thereof; FIG. 6 is a bottom plan view thereof; FIG. 7 is a rear elevational view thereof; and, FIG. 8 is a front elevational view thereof.

1 Claim, 8 Drawing Sheets



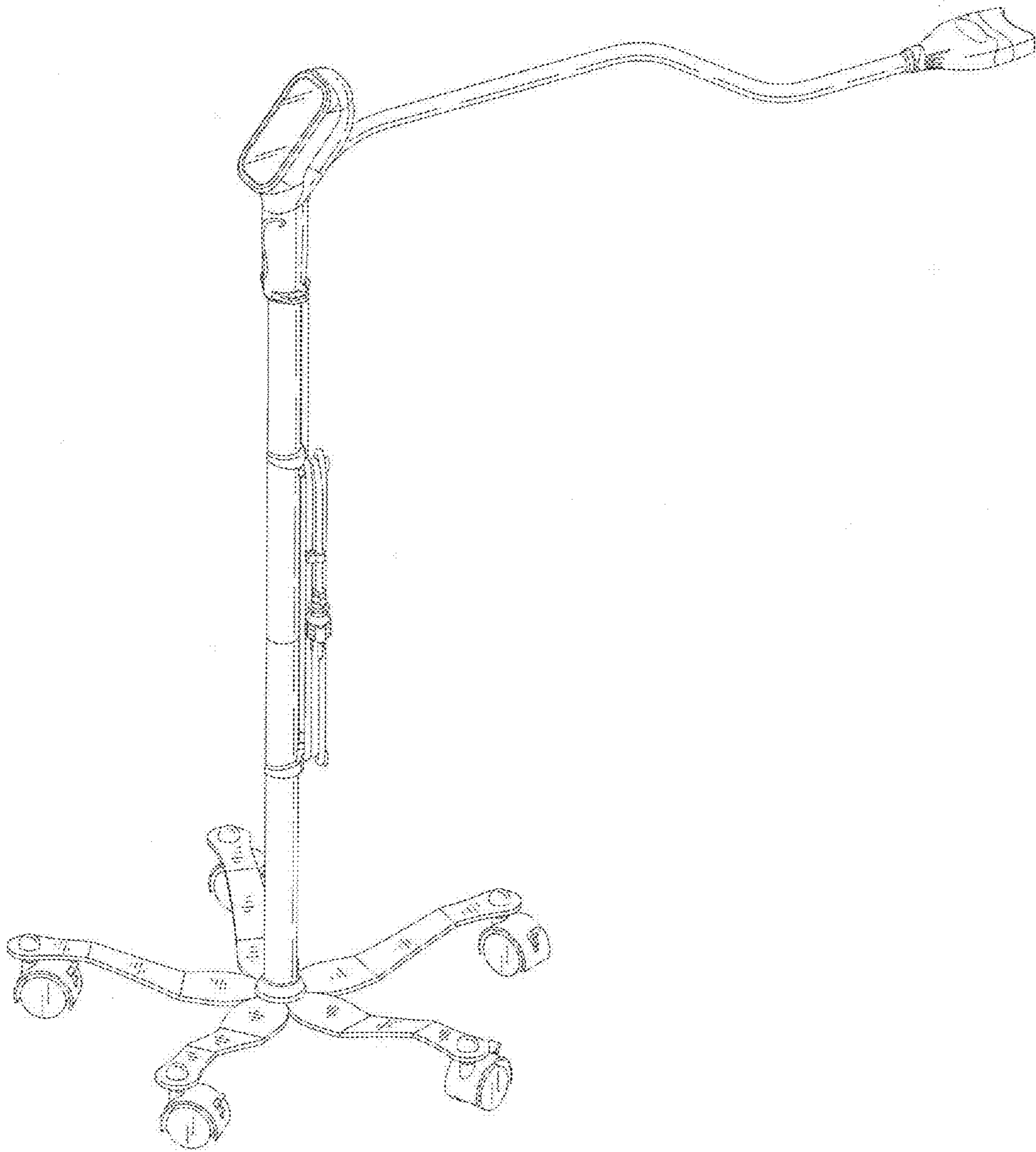


Fig. 1

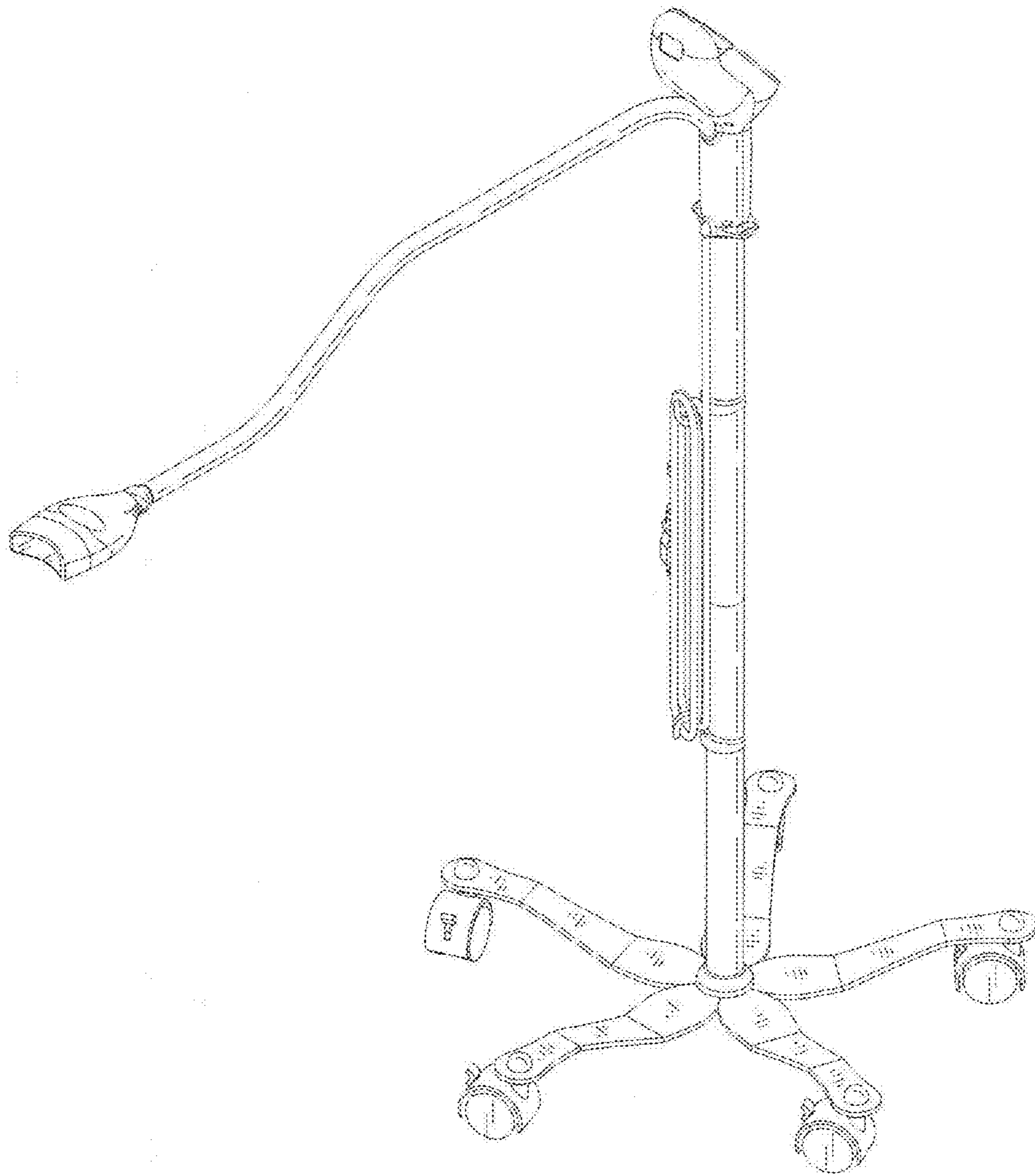


Fig. 2

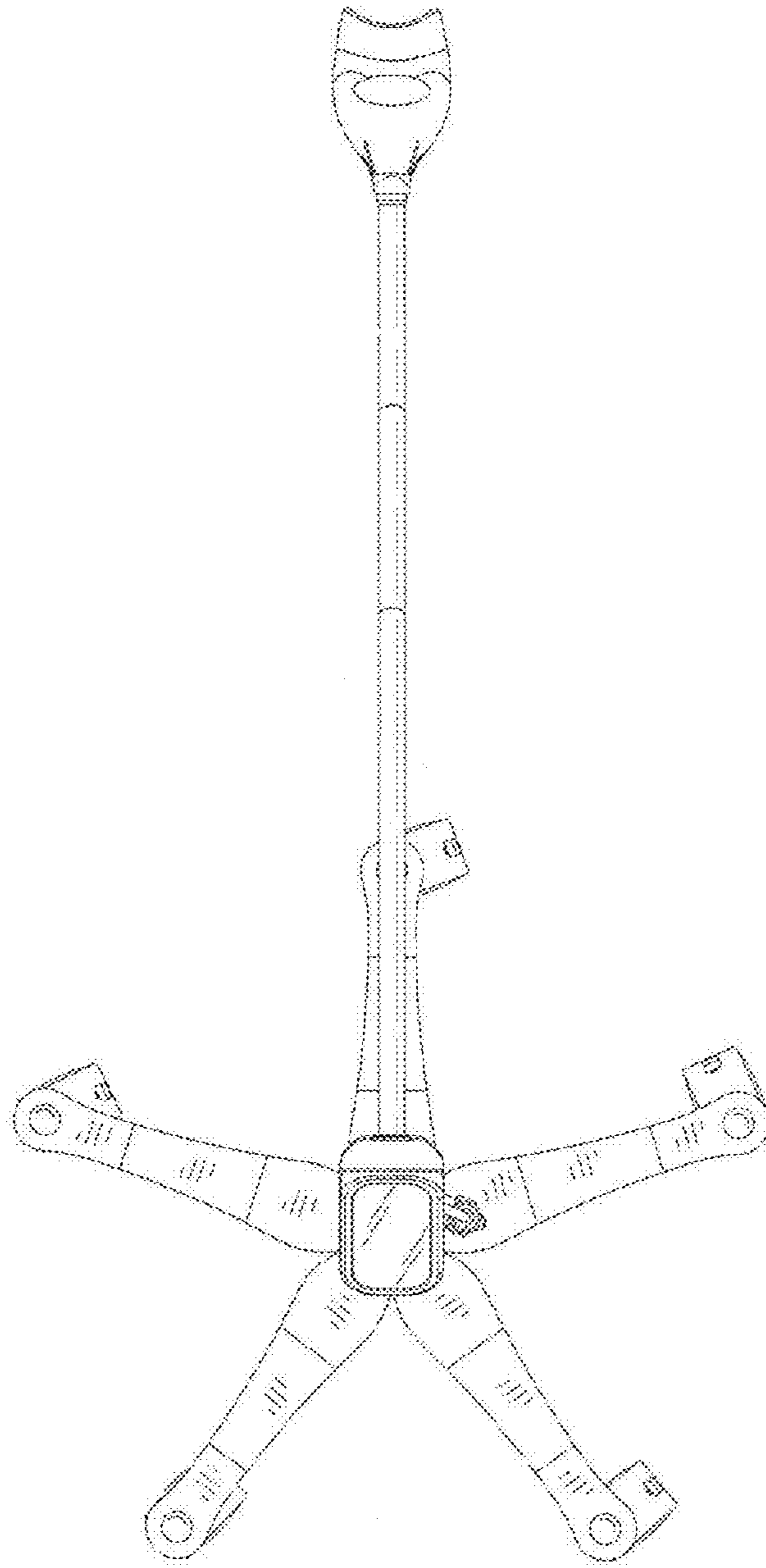


Fig. 3

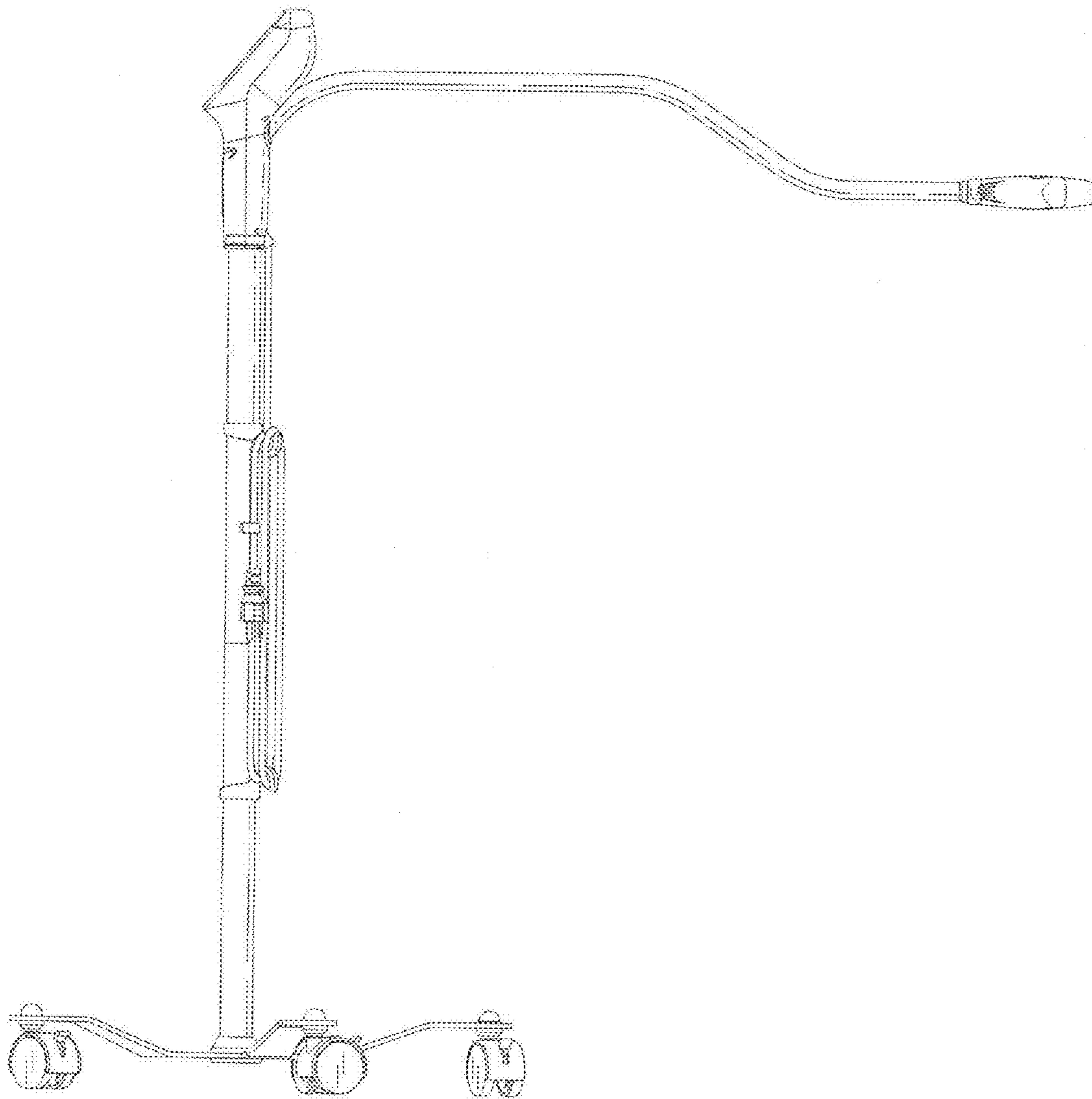


Fig. 4

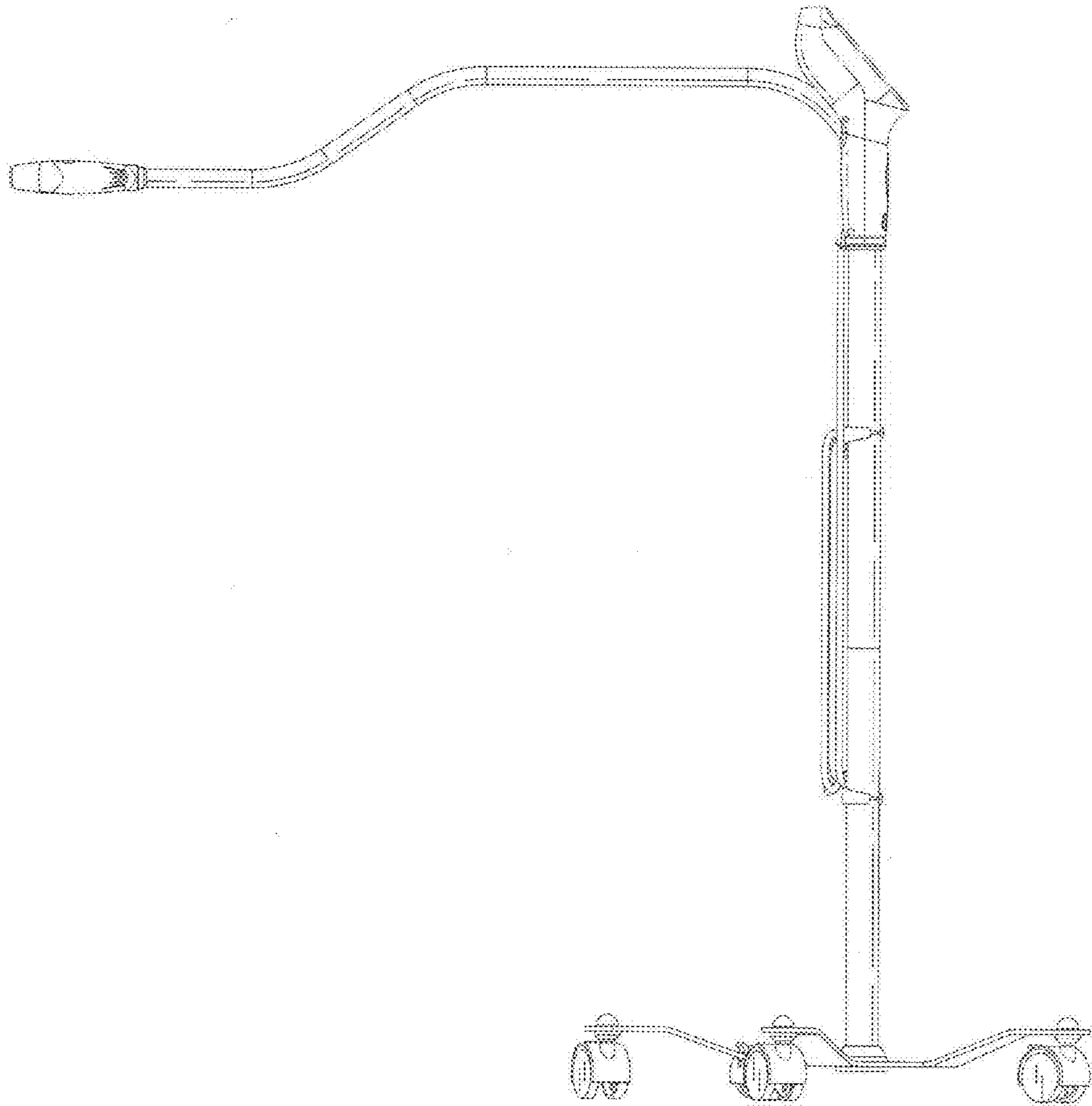


Fig. 5

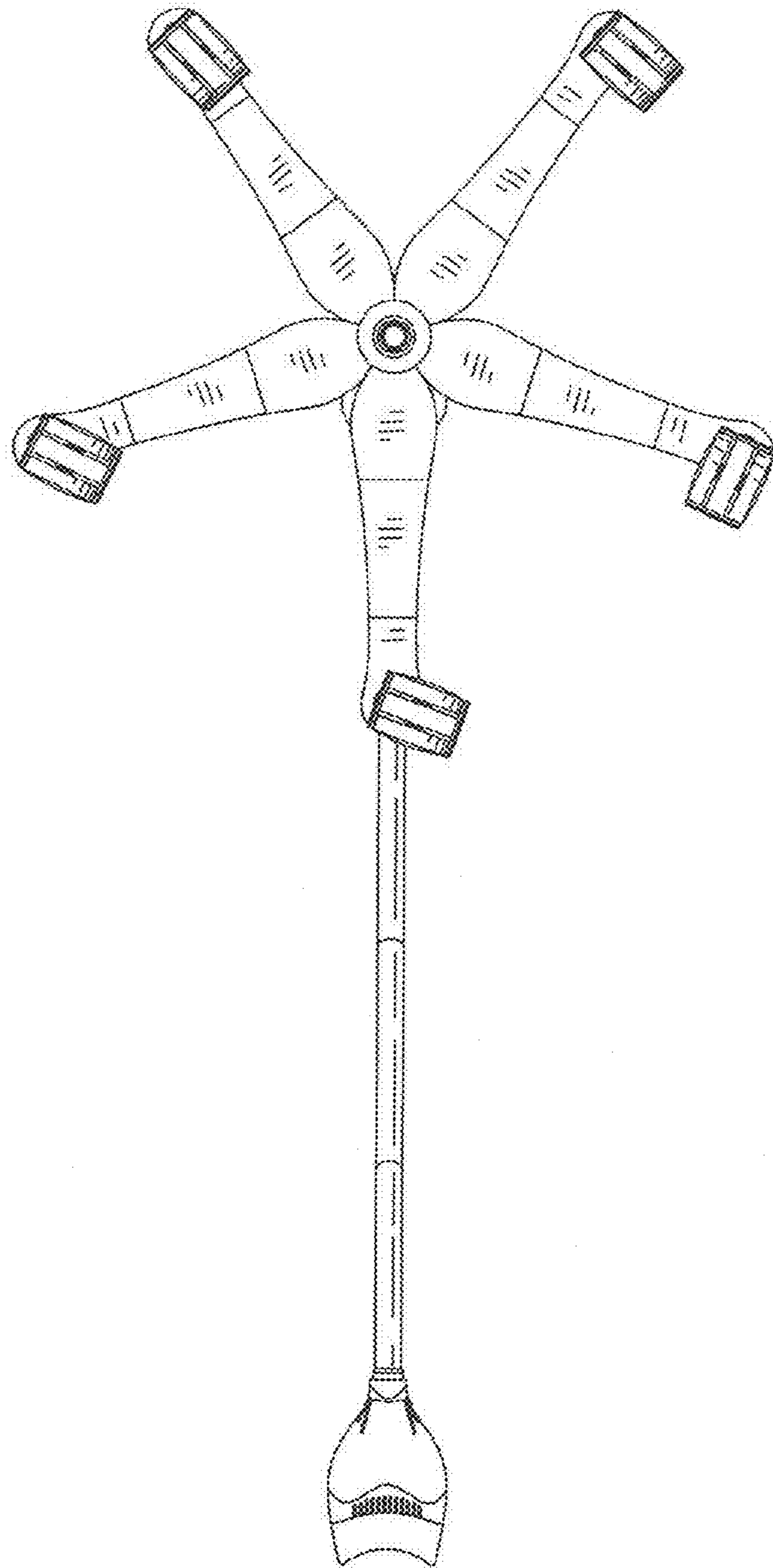


Fig. 6

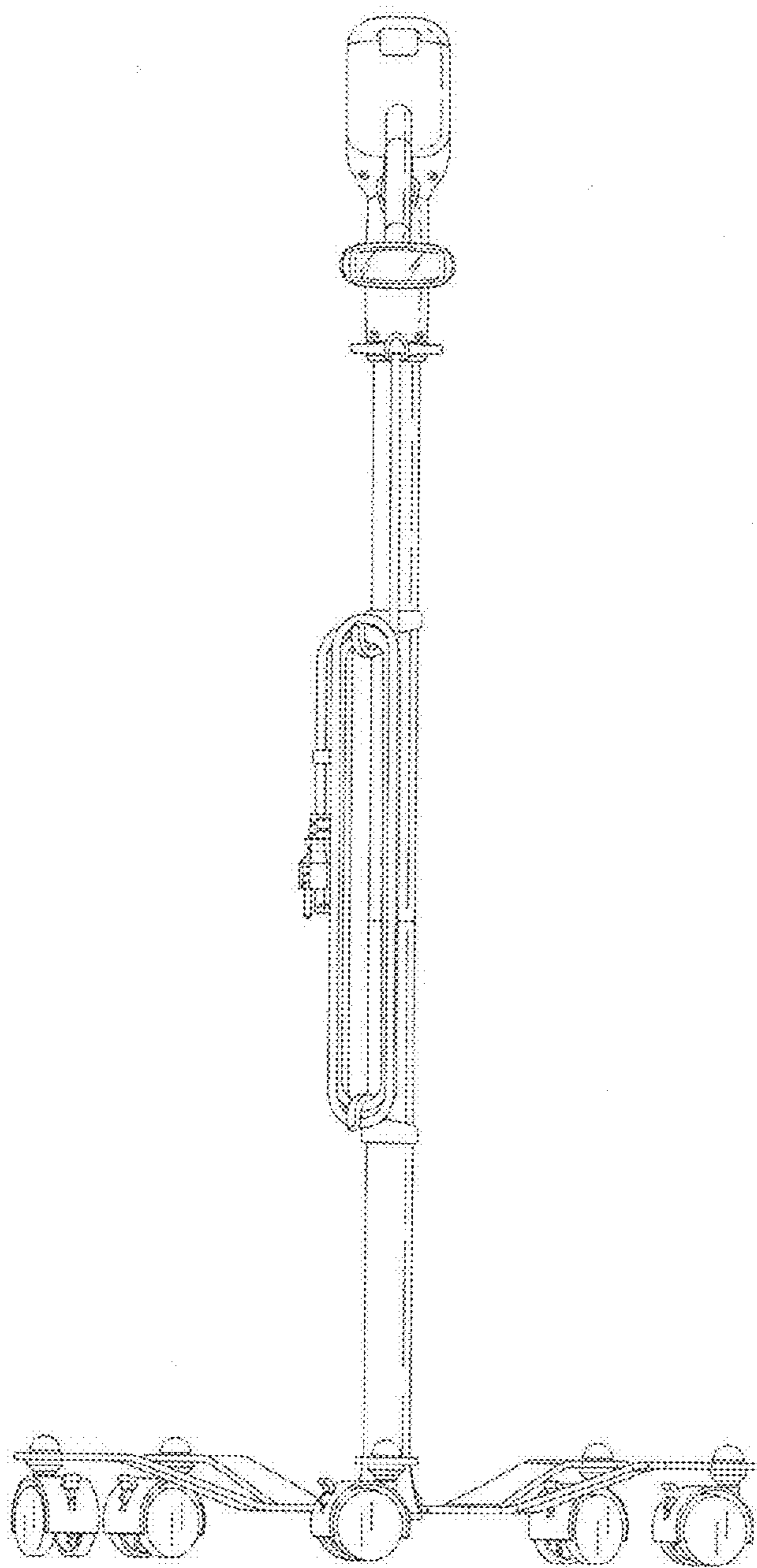


Fig. 7

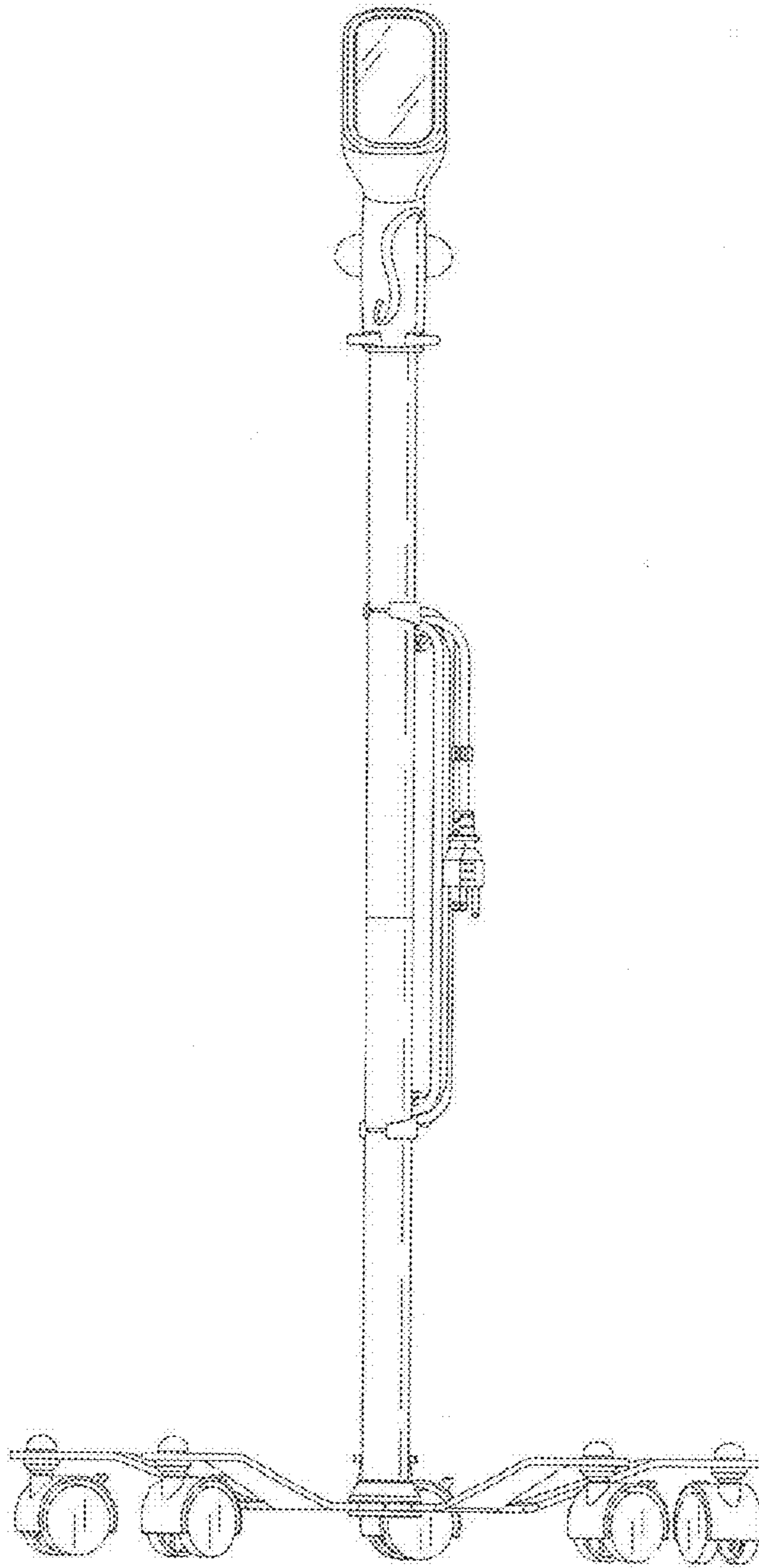


Fig. 8