



US00D744655S

(12) **United States Design Patent**
Benson

(10) **Patent No.:** **US D744,655 S**
(45) **Date of Patent:** **** Dec. 1, 2015**

- (54) **SPIROMETER AIRWAY**
- (71) Applicant: **Benson Medical Instruments Company**, Minneapolis, MN (US)
- (72) Inventor: **Stephen Benson**, Minneapolis, MN (US)
- (73) Assignee: **Benson Medical Instruments**, Minneapolis, MN (US)
- (**) Term: **14 Years**
- (21) Appl. No.: **29/473,582**
- (22) Filed: **Nov. 24, 2013**

5,789,660 A	8/1998	Kofoed et al.	
D411,010 S	6/1999	Harbrecht et al.	
D413,825 S	9/1999	Storsved	
D541,419 S	4/2007	Jones	
D542,913 S	5/2007	Aspinall et al.	
D556,908 S	12/2007	Jones et al.	
D583,929 S *	12/2008	Reusch	D24/110
D585,555 S	1/2009	Miller	
D659,835 S	5/2012	Benson	
D692,140 S *	10/2013	Alvino	D24/164
D692,555 S *	10/2013	Maksym et al.	D24/110.5
D694,410 S	11/2013	Benson	

* cited by examiner

Primary Examiner — Anhdao Doan

(74) *Attorney, Agent, or Firm* — Patterson Thuente Pedersen, P.A.

Related U.S. Application Data

- (63) Continuation of application No. 29/420,871, filed on May 14, 2012, now Pat. No. Des. 694,410, and a continuation of application No. 29/388,929, filed on Apr. 4, 2011, now Pat. No. Des. 659,835.
- (51) **LOC (10) Cl.** **24-01**
- (52) **U.S. Cl.**
USPC **D24/164**
- (58) **Field of Classification Search**
USPC D24/164, 110, 110.5; 128/204.18, 128/205.24; 73/23.3; 600/529, 532, 533, 600/538, 540, 541, 542; 422/84
See application file for complete search history.

References Cited

U.S. PATENT DOCUMENTS

D254,443 S	3/1980	Adams	
D266,695 S	10/1982	Trammll et al.	
D281,011 S	10/1985	Helfer	
D325,634 S	4/1992	Sweeney, Jr.	
D333,004 S	2/1993	McNamee et al.	
D335,343 S	5/1993	Jones et al.	
D342,135 S *	12/1993	Goldberger et al.	D24/110
D370,065 S	5/1996	Squillante et al.	

CLAIM

(57) The ornamental design for a spirometer airway, as shown and described.

DESCRIPTION

FIG. 1 is a perspective view of a spirometer airway according to the invention;
 FIG. 2 is a right side elevation view of the spirometer airway of FIG. 1;
 FIG. 3 is a left side elevation view of the spirometer airway of FIG. 1;
 FIG. 4 is a rear elevation view of the spirometer airway of FIG. 1;
 FIG. 5 is a front elevation view of the spirometer airway of FIG. 1;
 FIG. 6 is a top plan view of the spirometer airway of FIG. 1; and,
 FIG. 7 is a bottom plan view of the spirometer airway of FIG. 1.
 The broken lines in the drawing views are included for the purpose of illustrating portions of the spirometer airway that form no part of the claimed design.

1 Claim, 4 Drawing Sheets

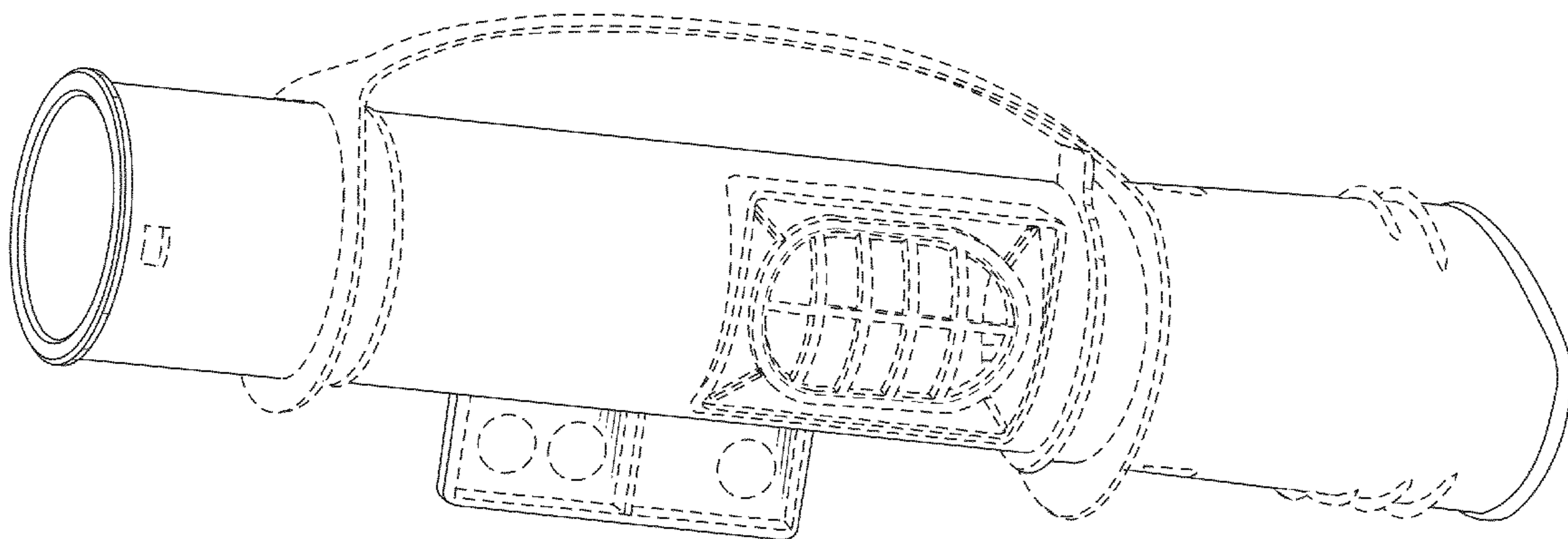
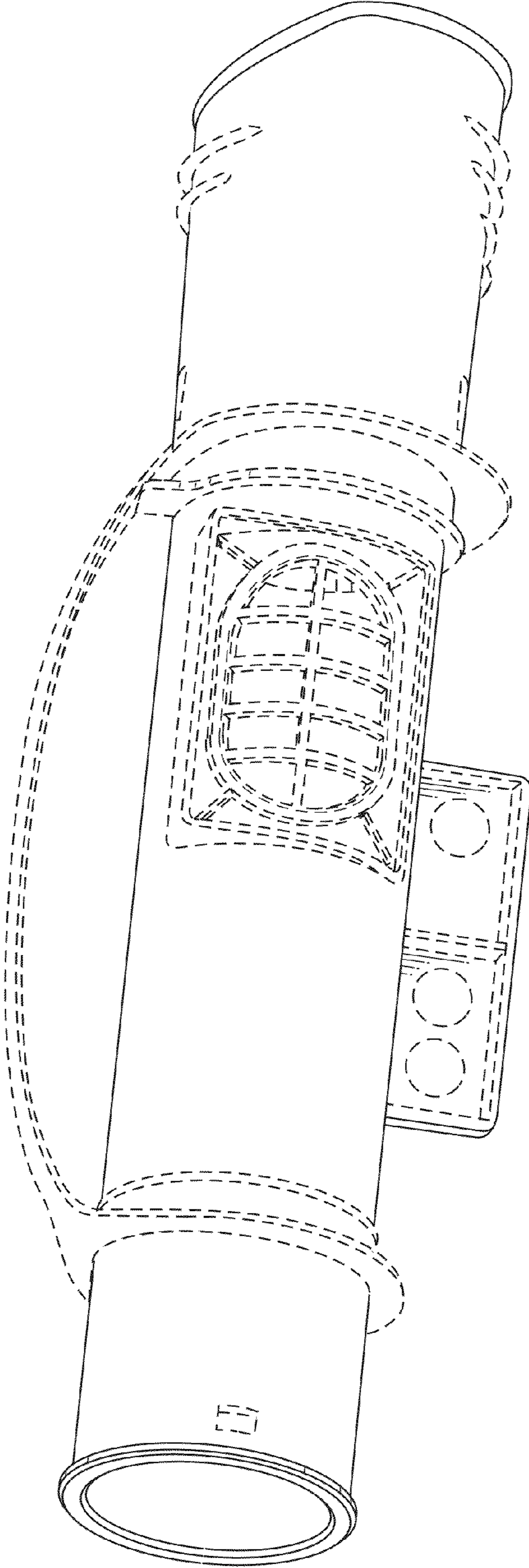


Fig. 1



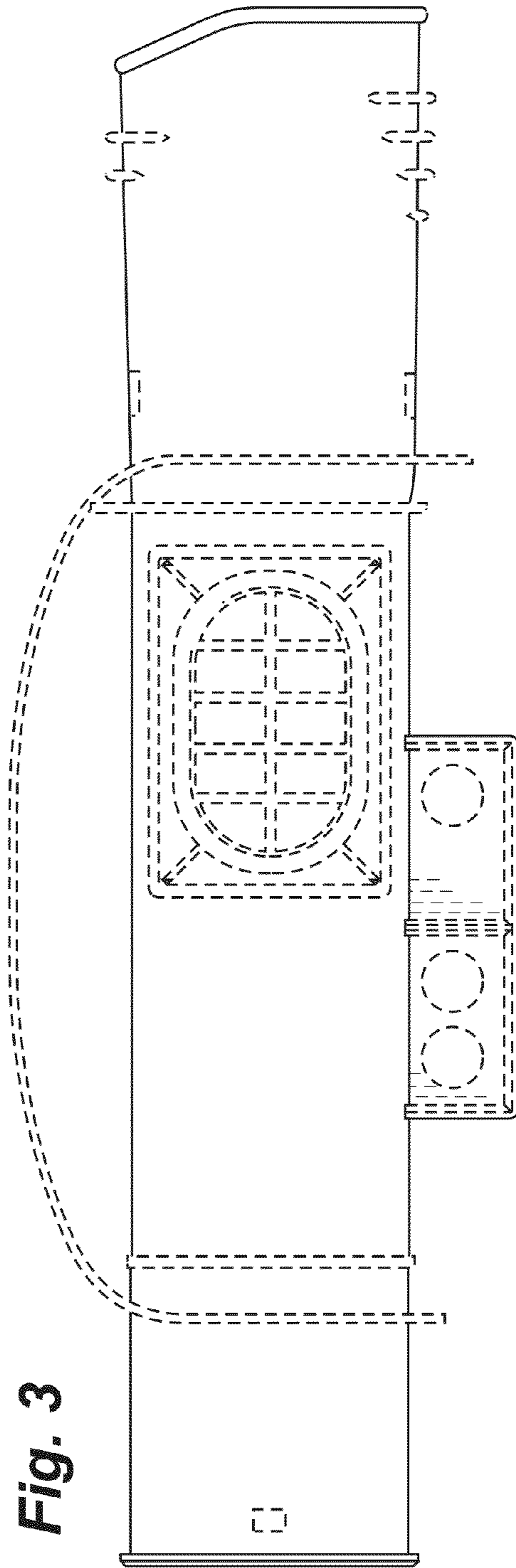
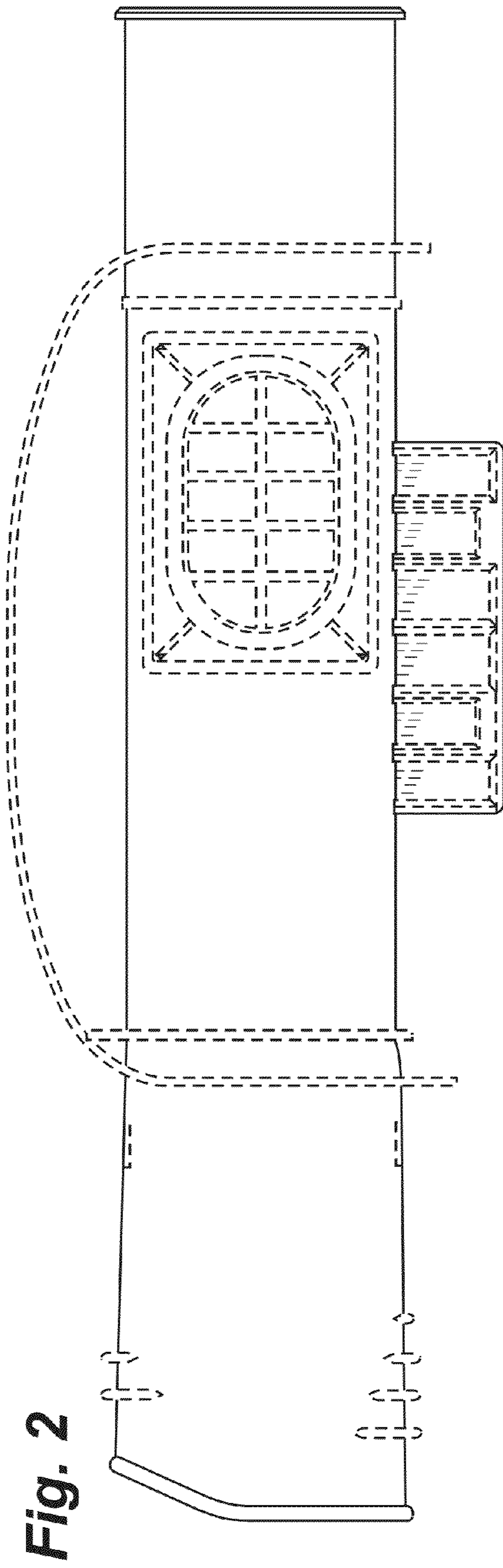


Fig. 4

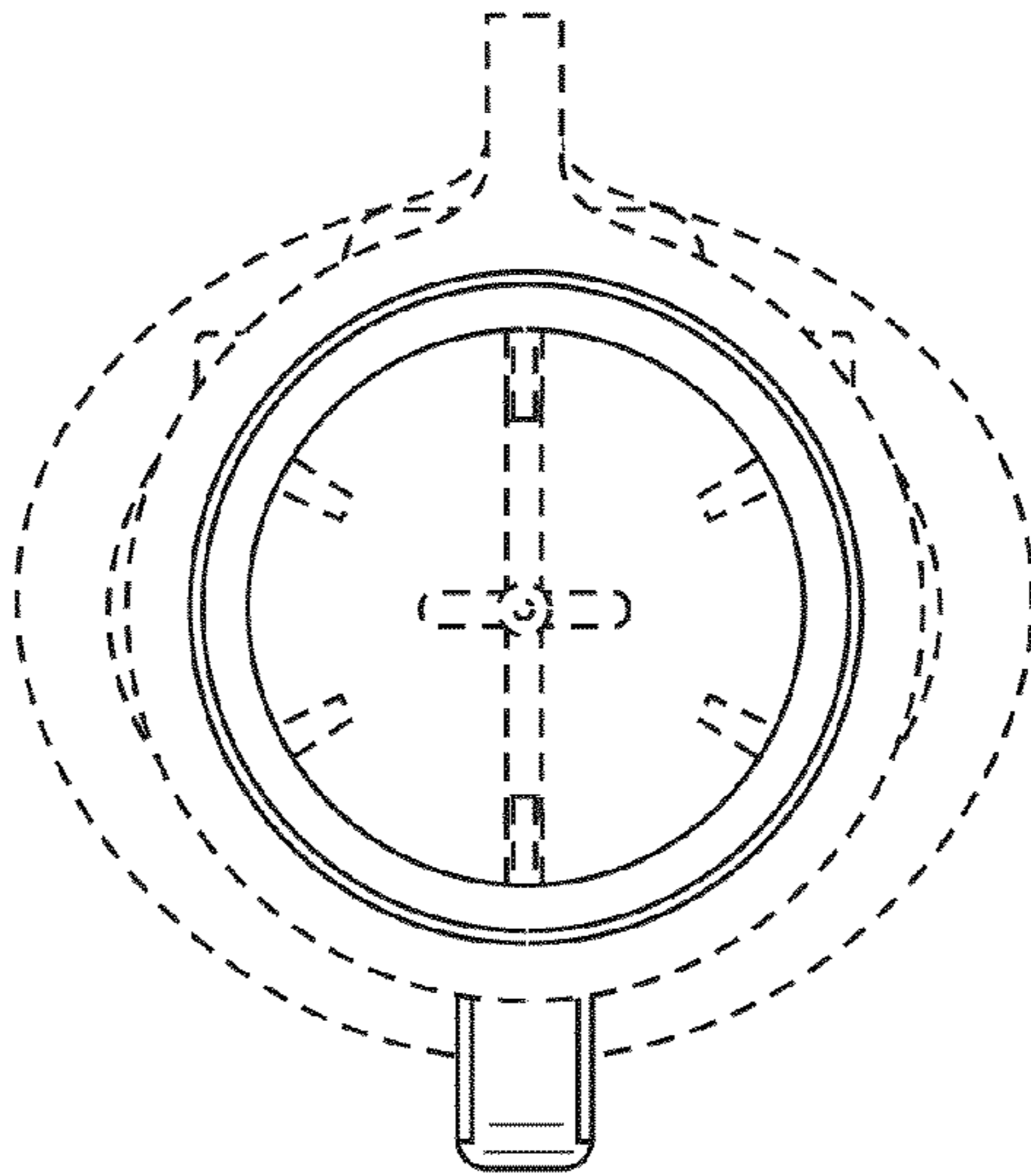
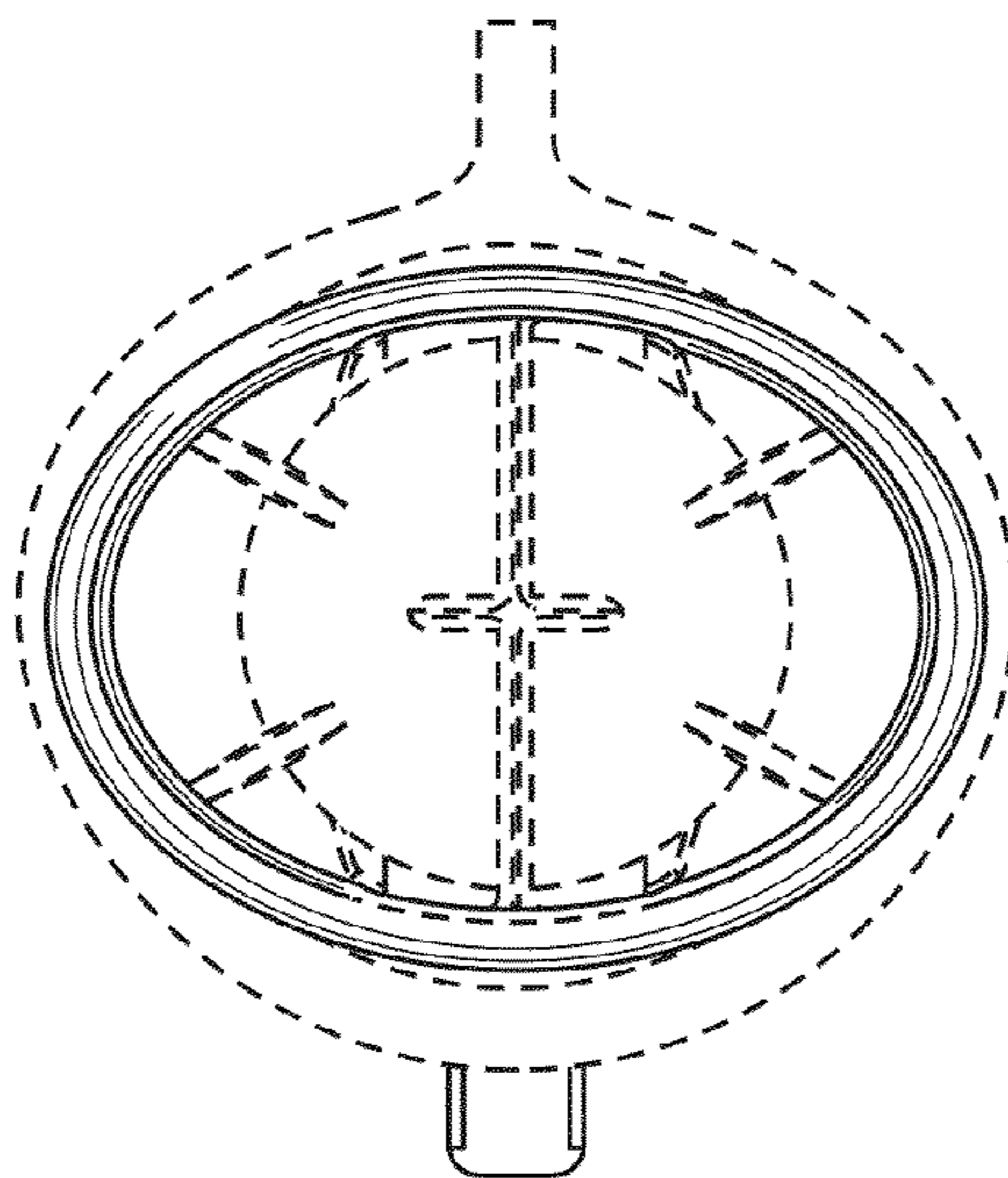


Fig. 5



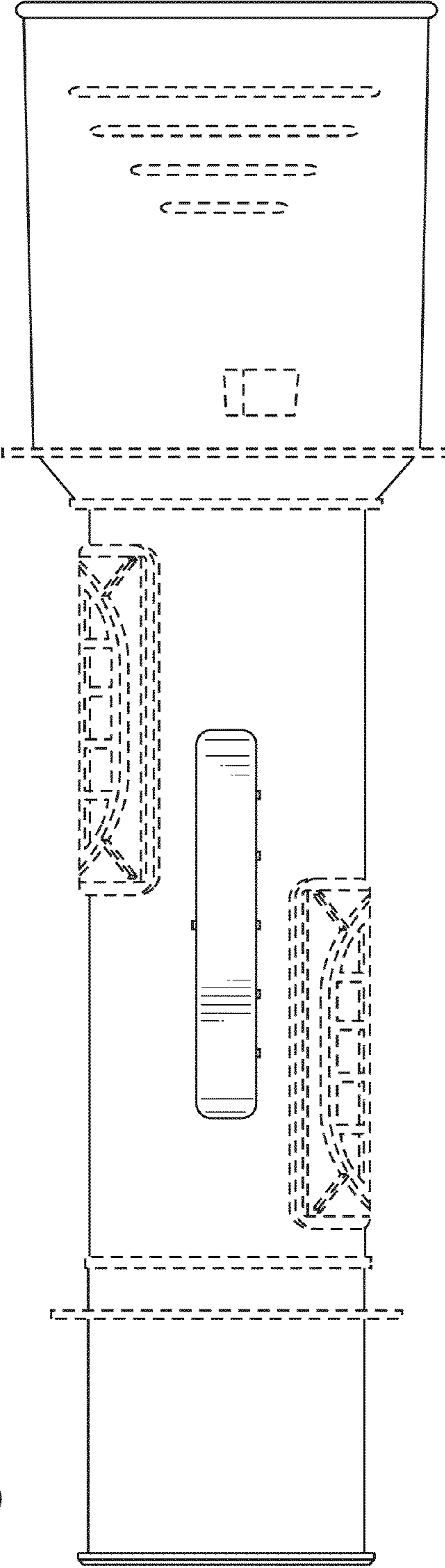
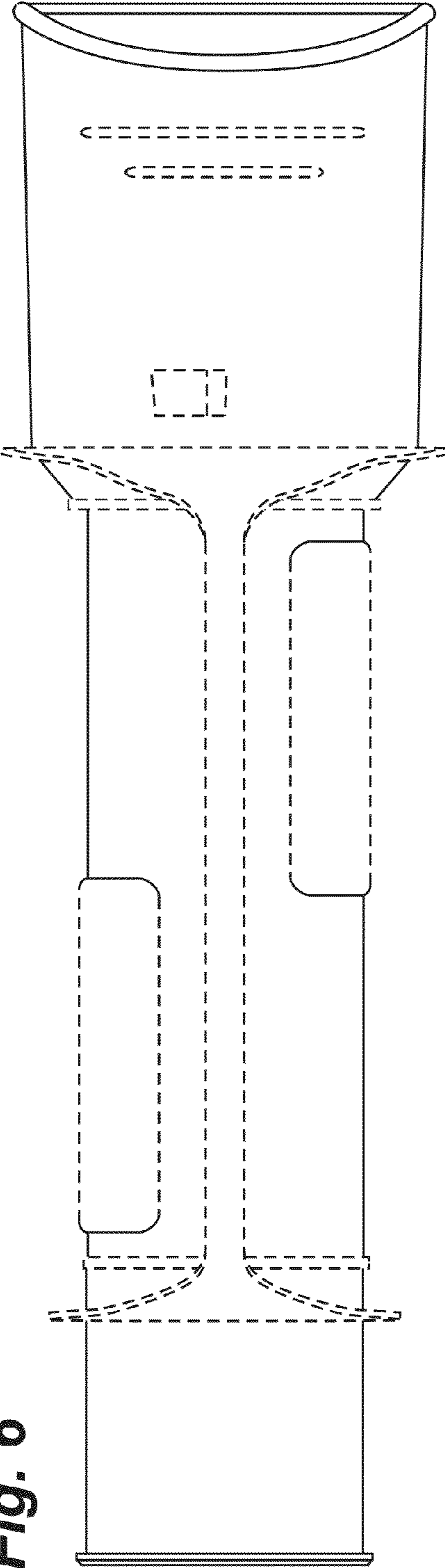


Fig. 6

Fig. 7